

A square graphic divided diagonally from the top-left to the bottom-right. The top-right triangle is green, and the bottom-left triangle is black.

CONFIDENTIAL

AMD Opteron™ 200 Series Processor AdvancedTCA® Reference Design Kit

Technical Overview

April 2007

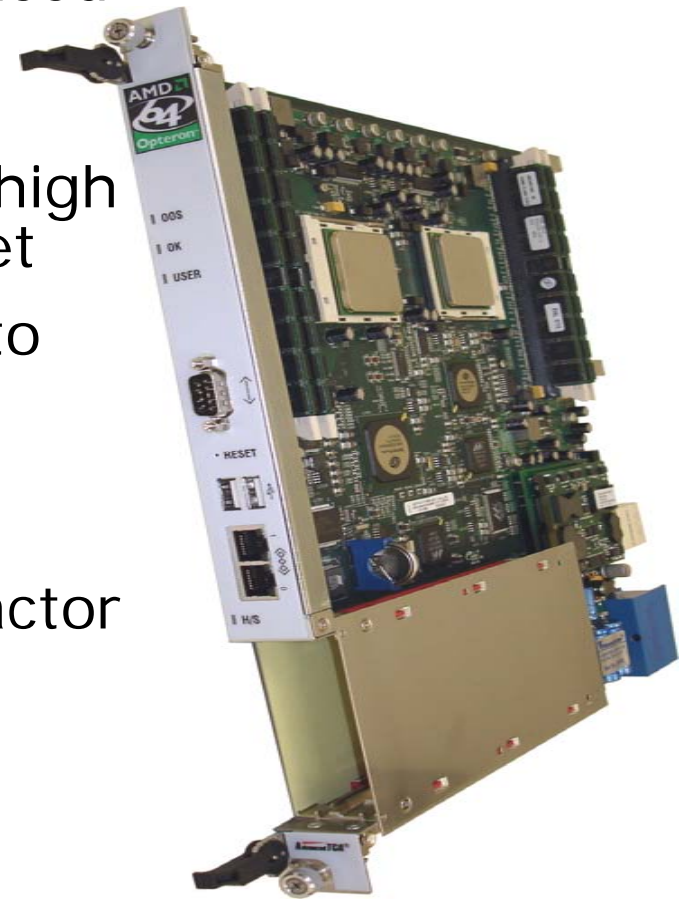
AMD Opteron™ ATCA RDK Objectives

Provide a demonstration platform to address the emerging ATCA (Advanced Telecom Computing Architecture) standard

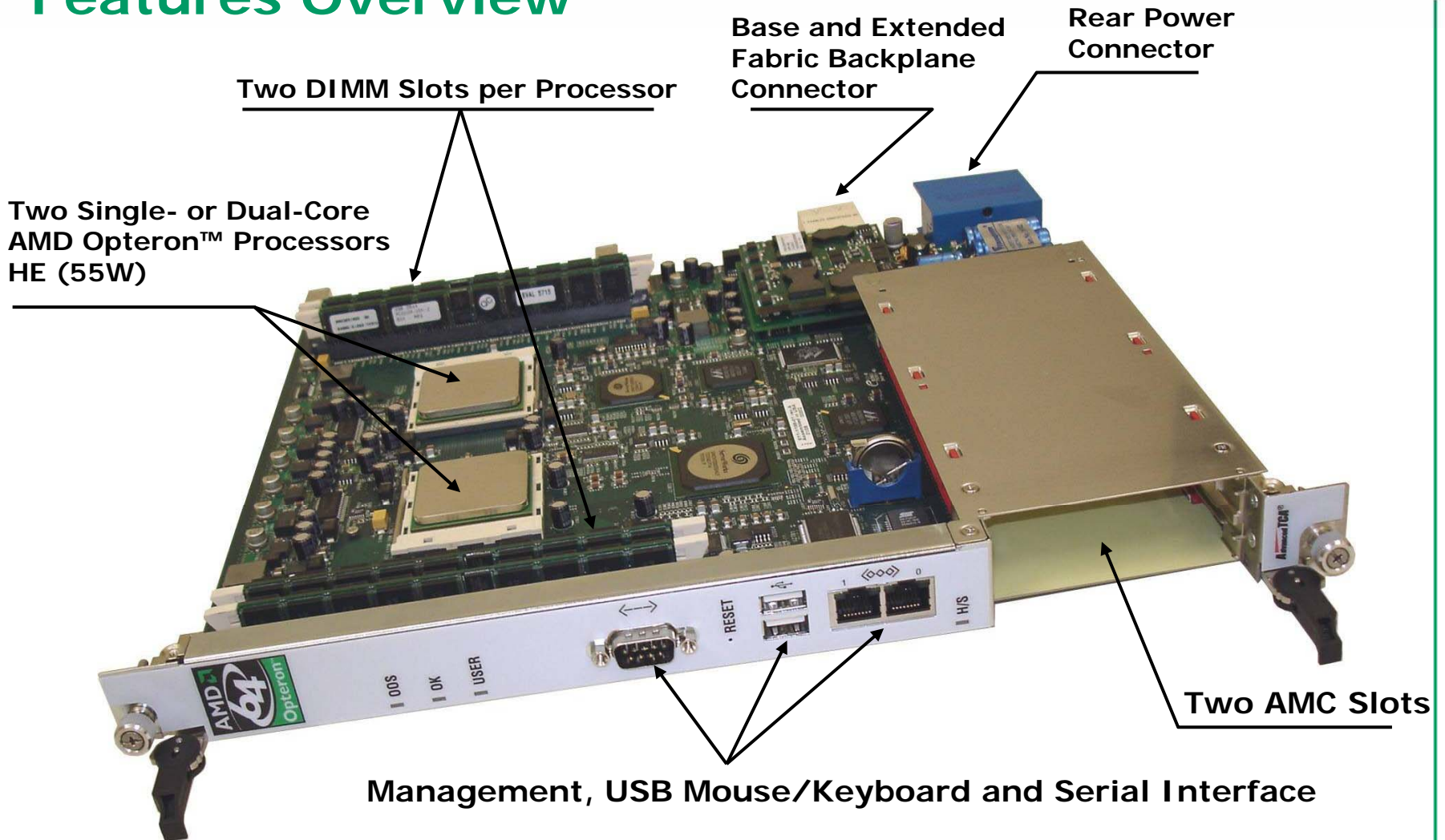
- Establishes AMD as a provider of high performance CPUs into this market
- Confirms that AMD is committed to the Telecom market

Accelerate customer designs

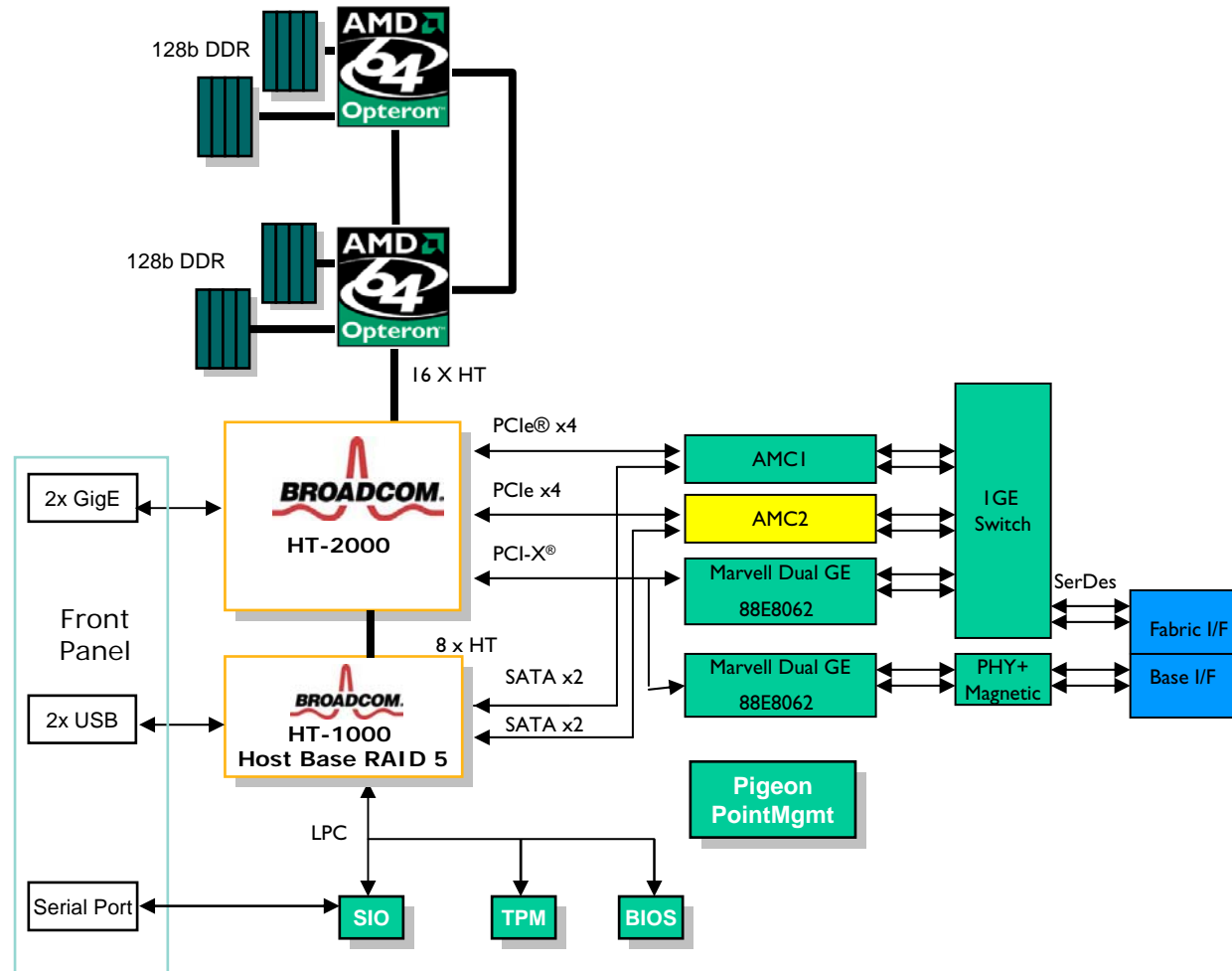
- Utilize a telecom standard form factor
- Reduce schedules and risk
- Provide complete set of design collateral



AMD Opteron™ ATCA RDK Features Overview



AMD Opteron™ ATCA RDK Block Diagram



AMD Opteron™ ATCA RDK Features

Two AMD Opteron™ 200 Series Processors

PICMG 3.0 compliant

Two AMC slots

- Two x4 PCI Express® from the Broadcom HT-2000 interface directly to AMC modules
- Four SATA ports from Broadcom HT-1000 connect to AMC modules
- Marvell Dual GigE controller connects via PCIe® from Broadcom HT-2000 through port switch to AMC modules
 - GigE controller shared between fabric and AMC

Backplane

- Marvell Dual GigE controllers connect via PCIe from Broadcom HT-2000 through port switch to Fabric interface and AMC modules
 - GigE controller shared between fabric and AMC
- Marvell Dual GigE controller connects via PCIe from Broadcom HT-2000 to Base interface and AMC modules

Front Panel

- Two USB ports from Broadcom HT-1000
- Two GigE ports from Broadcom HT-2000
- One serial port from SIO
- Standard LEDs

Trademark Attribution

AMD, the AMD Arrow logo, AMD Opteron, and combinations thereof are trademarks of Advanced Micro Devices, Inc. in the United States and/or other jurisdictions. PCIe and PCI Express are registered trademark of PCI-SIG. AdvancedTCA is a registered trademark of the PCI Industrial Computers Manufacturers Group. Other names used in this presentation are for identification purposes only and may be trademarks of their respective owners.

©2007 Advanced Micro Devices, Inc. All rights reserved.