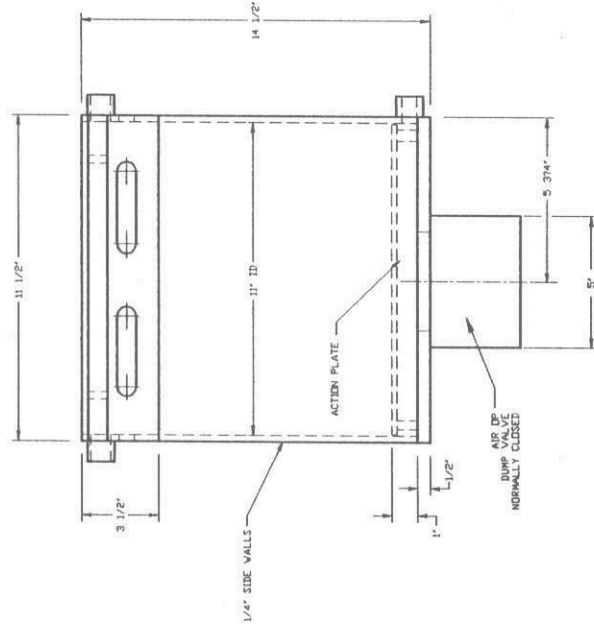
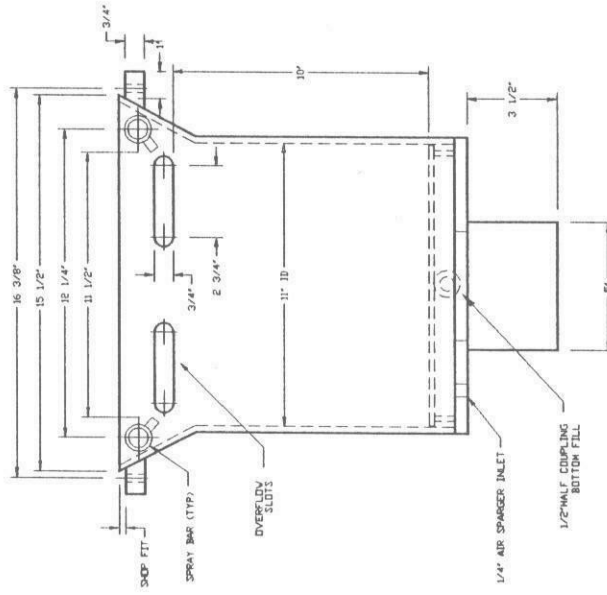


NOTE:  
 1) MATERIAL OF CONSTRUCTION TO BE NATURAL POLYPROPYLENE  
 UNLESS OTHERWISE NOTED.



**REYNOLDS TECH**

6895 KINNE STREET, EAST SYRACUSE, NEW YORK 13057

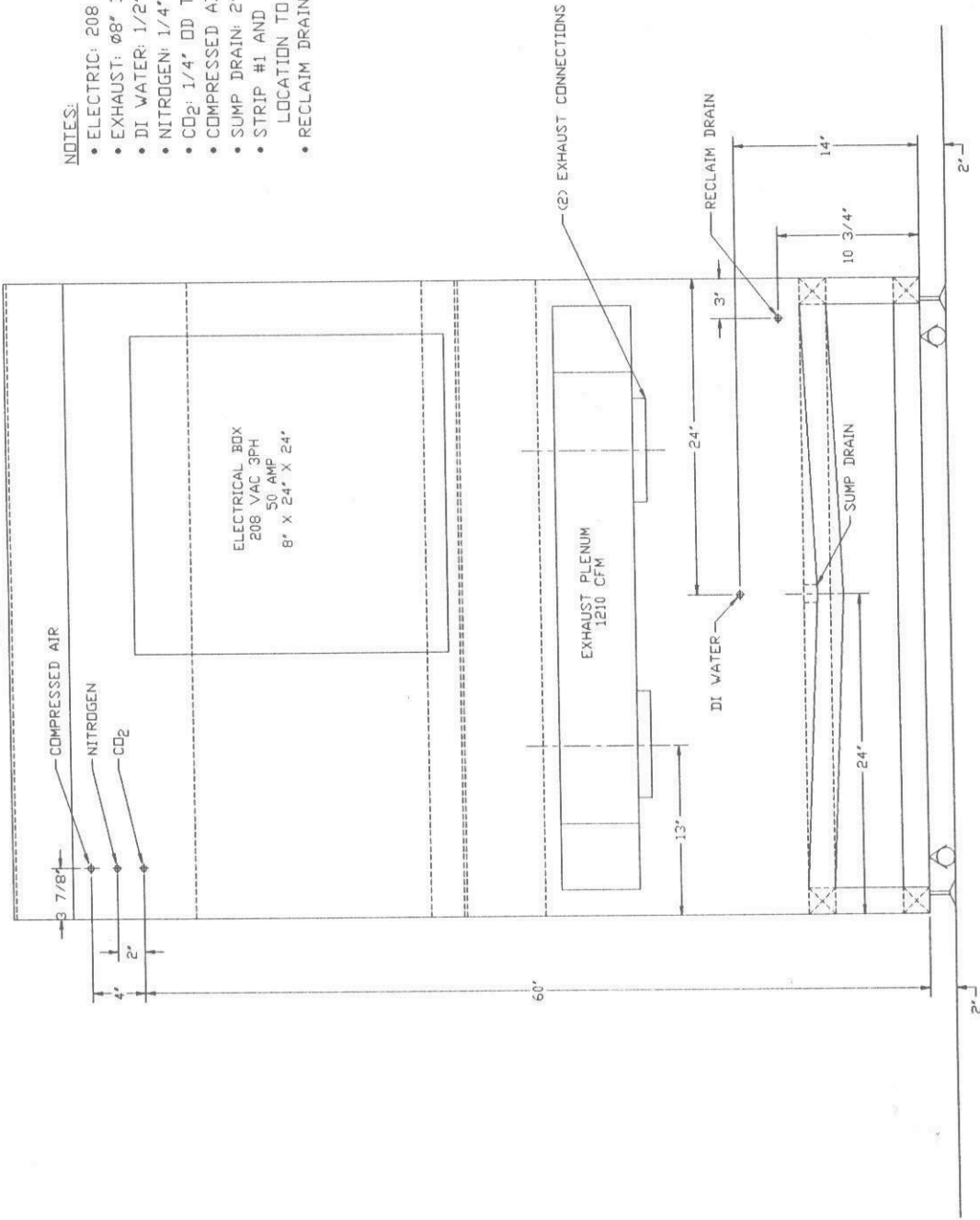
This document is the property of ReynoldsTech Fabricators INC. and is loaned only upon condition that it is not to be copied or reproduced, nor to be used for furnishing information to others for any purpose detrimental to the interest of ReynoldsTech Fabricators INC.

**AT&T MURRAY HILL**

ARS 1200  
 AUTOMATIC RINSE TANK

REV NO	DESCRIPTION	DR BY	DATE	GVA	DR BY	DATE	JOB NO.	SCALE	SHEET	1 OF 1	DWG. NO.	REV
1							1427	NONE	1		1427TK2	1

REAR



NOTES:

- ELECTRIC: 208 VAC 3 PH 50 AMPS
- EXHAUST: Ø8" 1210 CFM (2)
- DI WATER: 1/2" NPT
- NITROGEN: 1/4" OD TUBE
- CO<sub>2</sub>: 1/4" OD TUBE
- COMPRESSED AIR: 1/4" OD TUBE
- SUMP DRAIN: 2" FNPT
- STRIP #1 AND STRIP #2 DRAIN TO CARBOXY. LOCATION TO BE DETERMINED
- RECLAIM DRAIN 1/2" FNPT

ELECTRICAL BOX  
208 VAC 3PH  
50 AMP  
8" X 24" X 24"

EXHAUST PLENUM  
1210 CFM

DI WATER

SUMP DRAIN

RECLAIM DRAIN

(2) EXHAUST CONNECTIONS

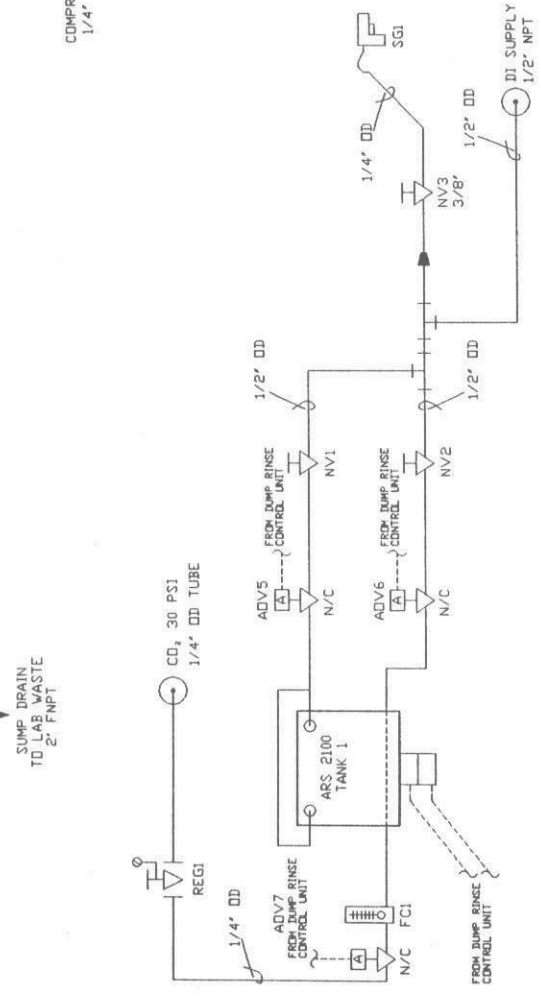
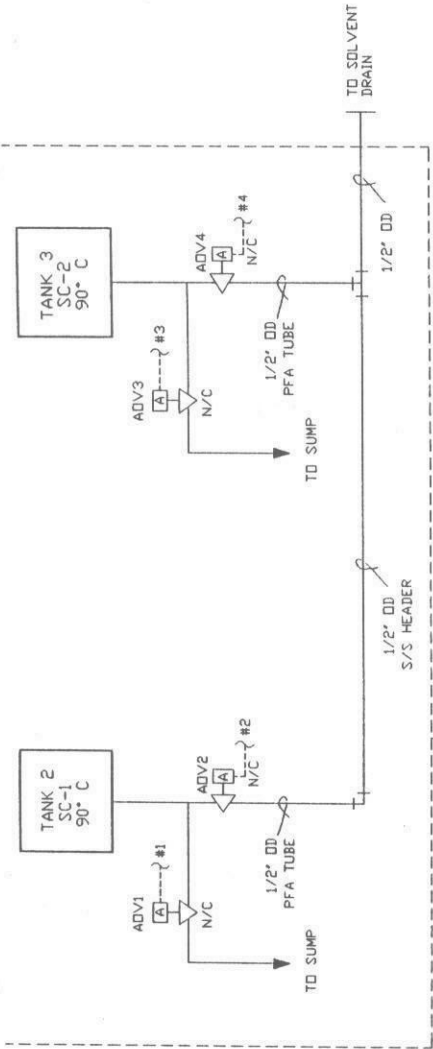
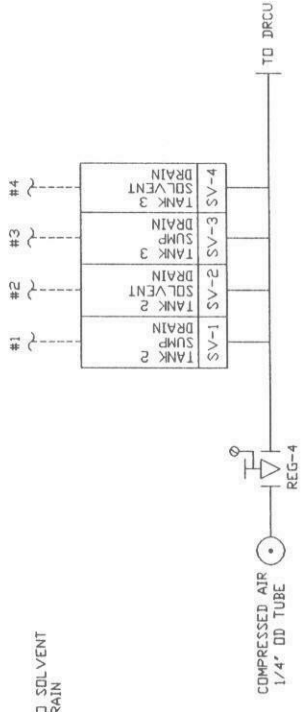
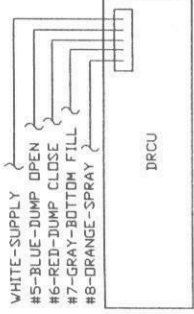
**REYNOLDSTECH**

6895 KINNE STREET, EAST SYRACUSE, NEW YORK 13057

This document is the property of ReynoldsTech Fabricators INC. and is loaned only upon condition that it is not to be copied or reproduced, nor to be used for furnishing information to others for any purpose detrimental to the interest of ReynoldsTech Fabricators INC.

**AT&T MURRAY HILL**  
SOLVENT STRIP  
FACILITY CONNECTIONS

REV NO	DESCRIPTION	DR BY	DATE	SCALE	SHEET	1 OF 1	DWG. NO.	REV
2	ADD CO2 CONNECTION	GVA	6/27/95	NONE	1	1427FC11		
1	AS BUILT	GVA	5/23/95	NONE	1	1427FC11		
		DR BY	DATE	SCALE	SHEET	1 OF 1	DWG. NO.	REV
			4/24/95	NONE	1	1427FC11		2



- NOTES:**
- ALL SUMP TUBES ARE PFA
  - ALL ADV'S ARE GALTEK/FLUOROWARE
  - ALL BALL TYPE MV'S ARE GALTEK/FLUOROWARE
  - BALANCE VALVES ARE PLASTIWARE NEEDLE TYPE
  - TUBES IN TANK 2 TO BE 1/4" S/S
  - TUBES IN TANK 3 TO BE 1/4" PFA

**REYNOLDS/TECH**  
 6895 KINNE STREET, EAST SYRACUSE, NEW YORK 13057

REV NO	DESCRIPTION	DR BY	DATE	DR BY	DATE	SCALE	SHEET	DWG. NO.	REV
1	AS BUILT	GVA	6/29/95	GVA	5/23/95	NONE	1	1427P1D1	1

This document is the property of ReynoldsTech Fabricators INC. and is loaned only upon condition that it is not to be copied or reproduced, nor to be used for furnishing information to others for any purpose detrimental to the interest of ReynoldsTech Fabricators INC.

AT&T MURRAY HILL  
 SOLVENT STRIP STATION  
 P&ID