



PREMIER REFRIGERATOR

For Laboratory/Pharmacy Storage



Designed to meet the demanding requirements of scientific and laboratory applications. Special cabinet incorporates industrial quality with a heavy duty refrigeration system to maintain your valuable products.

SPECIFICATIONS FOR: NSPR211, NSPR482 & NSPR763

- **Exterior finish:** Exterior front, sides and back are painted white. Glass doors are standard. The exterior top and bottom are galvanized steel. All exterior joints and seams fold in without lap joints. No exposed raw edges.
- **Interior finish:** Interior is painted white.
- **Insulation:** The complete cabinet is foamed-in-place with high density polyurethane foam insulation.
- **Hardware:** Heavy duty, pivot hinges and pull handles with centered key locks; self adjusting magnetic gaskets; 4" dia. casters (4 casters on one and two door models with 2 locking and 6 legs on three door model). 3 epoxy coated shelves per door - standard.
- **Glass doors:** Full size, double pane glass doors with anti-condensate heater wires.
- **Electrical:** All models are standard with complete perimeter, anti-condensate door opening heater wires and an interior fluorescent light activated by a switch.
- **Instrumentation:** Digital LED thermometer reading degree C.
- **Refrigeration:** Complete top mounted refrigeration system not taking space from the storage area. A copper tube, aluminum fin evaporator is coated with a special acrylic to prevent deterioration from acidic materials. The condensate is collected and automatically evaporated from an electric evaporator pan increasing the efficiency of the system. Refrigerant flow is controlled by a thermostatic expansion valve increasing the ability of the refrigerator to meet varying load conditions. Ducted air flow assures uniformity of temperature throughout the unit. Adjustable control range from 2°C to 10°C. Factory preset at 4°C.
- **Approvals:** UL and C-UL** listed.

STANDARD FEATURES

- Air-cooled condensing unit
- Automatic condensate evaporation
- Automatic defrost
- Casters – 1 & 2 door
- 6" legs – 3 door
- Coated evaporator
- Digital LED thermometer
- Door opening heaters
- Ducted air distribution
- Epoxy coated shelves
- Expansion valve system
- Fluorescent interior light
- Full glass doors
- Key locks
- Magnetic gasketing
- Adjustable control range from 2°C to 10°C. Factory preset at 4°C.
- Polyurethane foam insulation
- Stocked for same day shipment
- White exterior
- White interior
- Warranties: 1 year parts and labor. 5 year compressor

OPTIONAL FEATURES*

- Alarm systems
- Custom paint
- Extra shelves
- Left or right hand hinges
- Legs in lieu of casters
- Live quadplex outlet
- 2" sleeve with cover
- Up to 8 stainless steel drawers per door section
- Solid doors
- Stainless steel exterior
- Stainless steel interior
- Temperature recorder

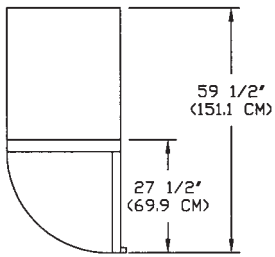
* Most options are available two weeks from receipt of order. Please contact us for specific questions.

**C-UL is Underwriters Laboratories Safety Certification Mark which indicates that UL has tested the equipment to applicable CSA Standards.

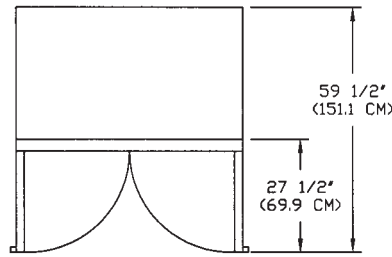


Nor-Lake, Inc.
Registered to ISO 9001:2000
File No. A3204

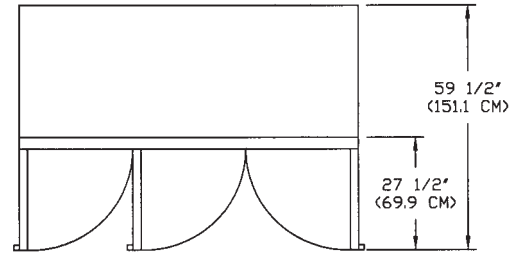
TOP



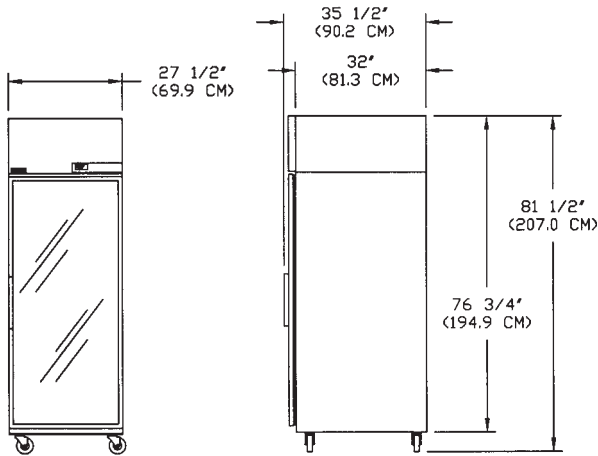
NSPR211



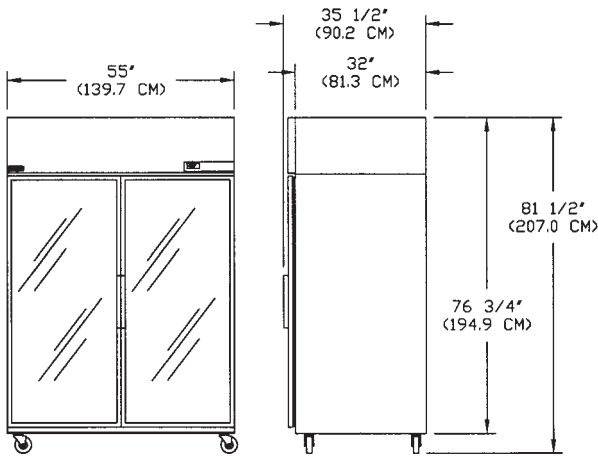
NSPR482



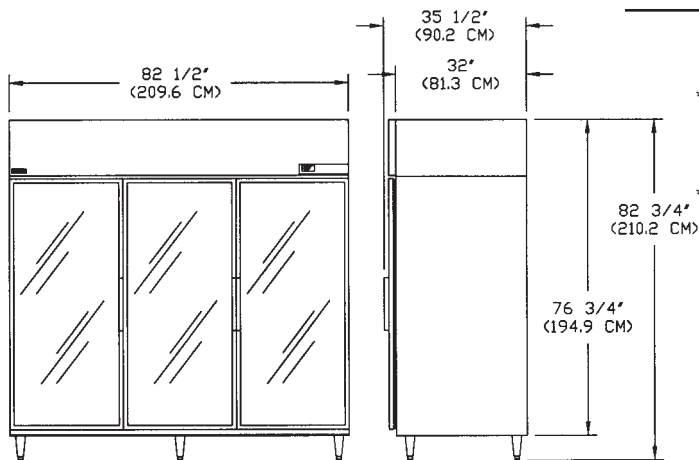
NSPR763



NSPR211



NSPR482



NSPR763

FRONT

SIDE

SPECIFICATIONS

	NSPR211	NSPR482	NSPR763
Crated Height (in) (cm)	81" (205.7 cm)	81" (205.7 cm)	81" (205.7 cm)
Crated Width (in) (cm)	31" (78.7 cm)	59" (149.9 cm)	86" (218.4 cm)
Crated Depth (in) (cm)	38" (96.5 cm)	38" (96.5 cm)	38" (96.5 cm)
Crated Weight (lbs) (kg)	410 (186.0 kg)	580 (263.1 kg)	810 (367.4 kg)
Interior Height (in) (cm)	59" (149.9 cm)	59" (149.9 cm)	59" (149.9 cm)
Interior Width (in) (cm)	23-1/2" (59.7 cm)	51" (129.5 cm)	78-1/2" (199.4 cm)
Interior Depth (in) (cm)	28" (71.1 cm)	28" (71.1 cm)	28" (71.1 cm)
Overall Height* (in) (cm)	81-1/2" (207.0 cm)	81-1/2" (207.0 cm)	82-3/4" (210.2 cm)
Overall Width (in) (cm)	27-1/2" (69.9 cm)	55" (139.7 cm)	82-1/2" (209.6 cm)
Overall Depth (in) (cm)	35-1/2" (90.2 cm)	35-1/2" (90.2 cm)	35-1/2" (90.2 cm)
Gross Cubage (ft. ³) (m ³)	22.5 (0.64)	48.8 (1.38)	75.0 (2.12)
Shelf Area (sq. ft.) (m ²)	16.6 (1.54)	36.1 (3.35)	55.6 (5.17)
Number of Shelves	3	6	9
Number of Casters	4	4	6**
Number of Legs	4 (optional)	4 (optional)	6 (standard)
Condensing Unit Size	1/4	1/2	3/4
Refrigerant	R-22	R-22	R-22
Electrical Characteristics	115/60/1	115/60/1	115/208-230/60/1
Cord & Plug Furnished	Yes	Yes	No**
Maximum Fuse Size	15	15	15
NEMA Plug Configuration	5-15P	5-15P	N/A
Total Amp Draw	10	12	12

Specifications subject to change without notice.

* The overall heights shown in the table and drawings are with casters. With 6" legs, the overall height is 82-3/4" (210.2 cm).

** This model is available with a cord connection and casters. Consult the Factory.



Revision Date: 4/04
 © NOR-LAKE, INC. 2004
 Printed in the U.S.A.
 Part Number: 073285