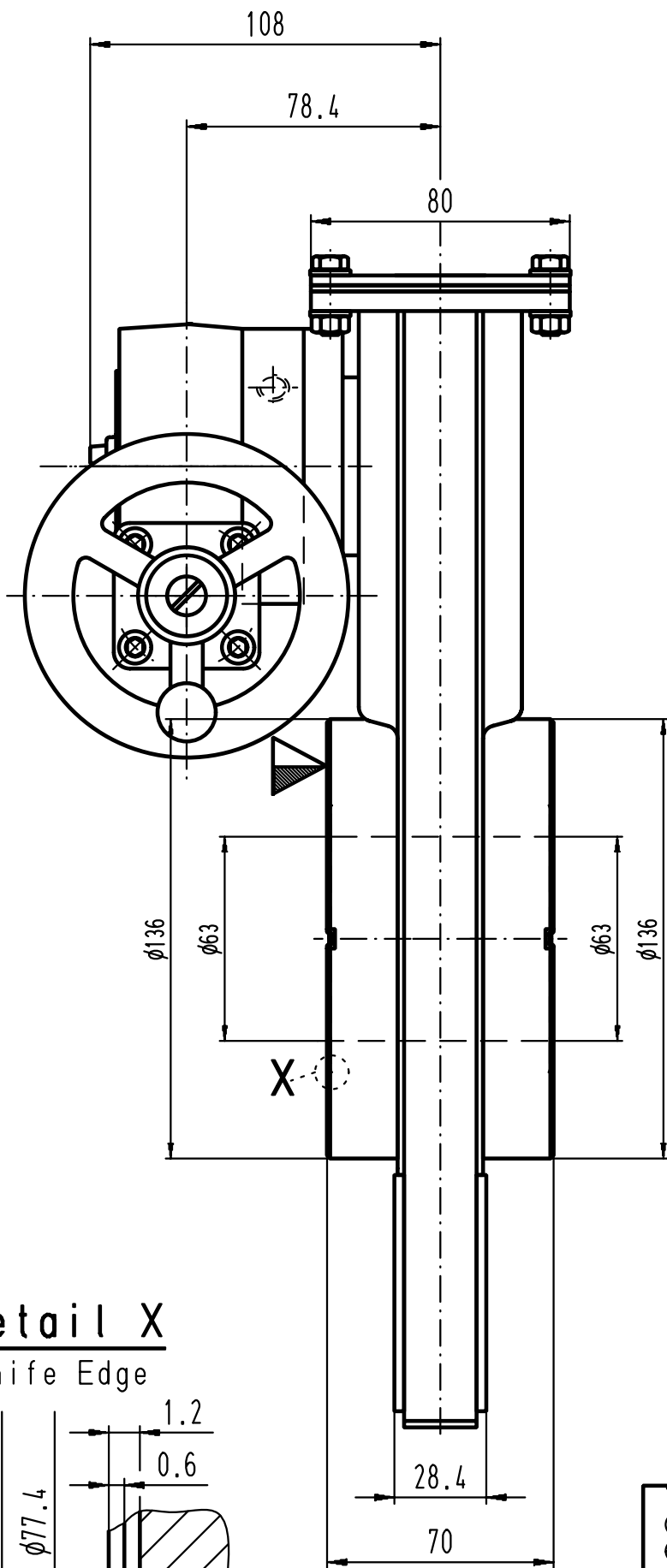
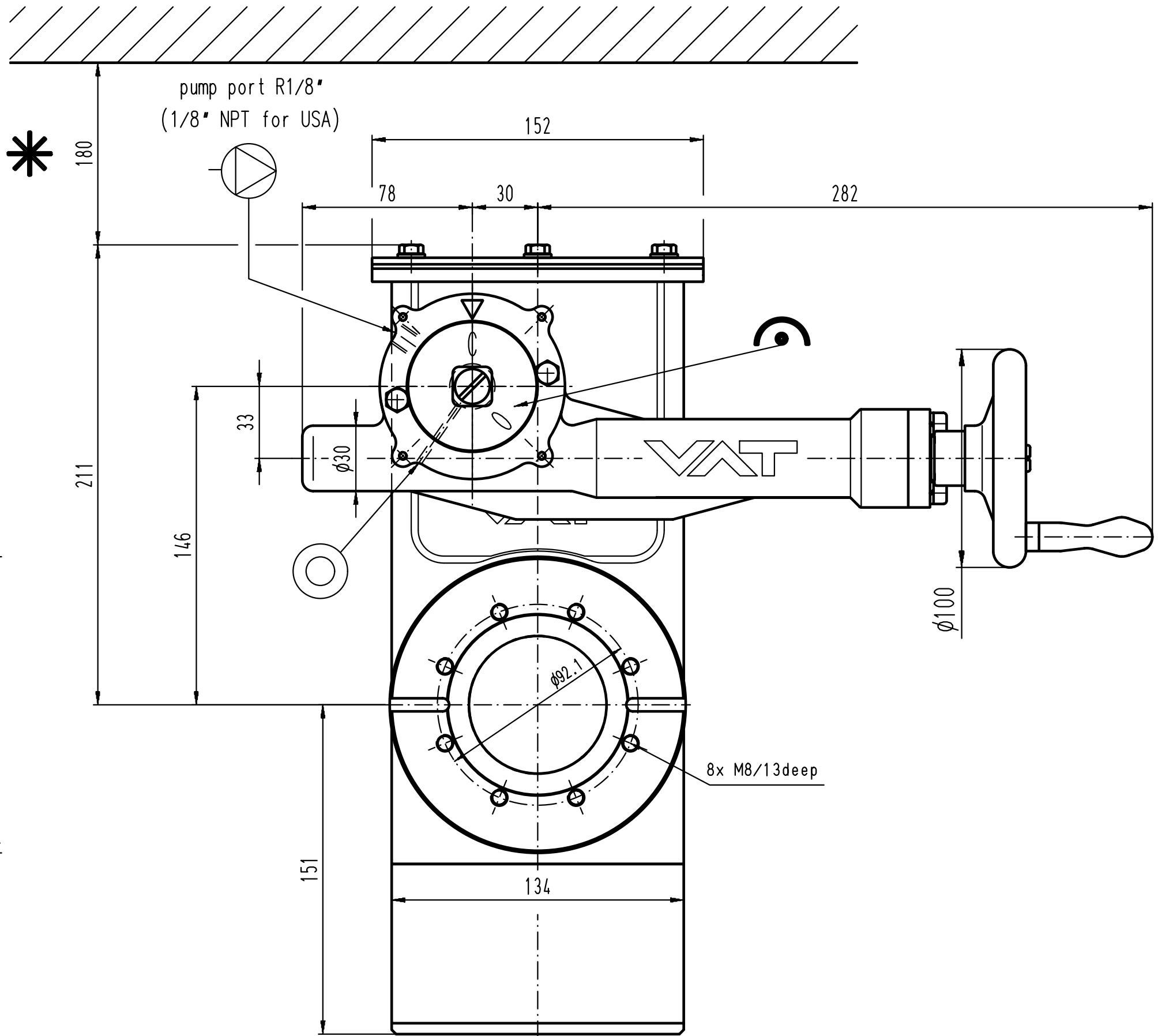
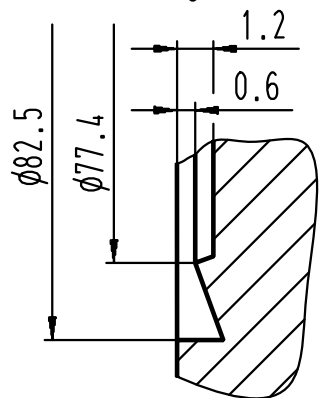


This drawing is the property of VAT.
Without the written consent of VAT, it must
not be copied or distributed to a third person



Detail X
Knife Edge



- ▼ Seat side
- ⊙ Comp. air connection
- ⊕ Electrical connection
- ⊖ Leak detection port
- ⊗ Mech. pos. indication
- ⊘ Position indicator
- ⊙ Required for dismantling
- ⊕ Emergency actuation
- ⊖ For attachment
- ⊗ Bake-out area
- ⊘ Differential pumping port

HV Gate Valve
manual actuator, hand wheel



VAT Vakuumventile AG
CH-9469 Haag, Switzerland
Tel ++41 81 7716161 Fax ++41 81 7714830

Date: 28.04.03
Name: FRP

Series	17.2	Ordering No.	17236-UE01-0004
Projection E		DN	63
		Flange	CF-F UNF
Dimensional Drawing	238947	Rev.	

Revision	
Code	
Date	
Name	