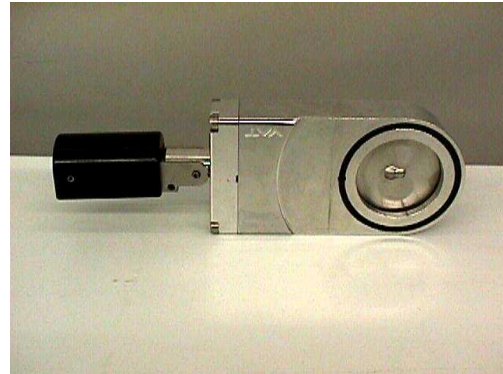
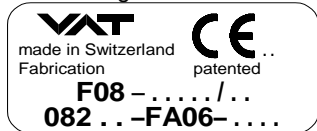


Mini gate valve with toggle lever

This manual is valid for the valve ordering numbers:
 08228-FA06-
 08234-FA06-



The respective product identification is given on each valve in the following or in a similar way:



Explanation of symbols:



Read declaration carefully before you start any other action!



Keep body parts and objects away from the valve opening!



Attention!



Hot surfaces; do not touch!



Product is in conformity with EC guidelines, if applicable!



Loaded springs and/or air cushions are potential hazards!



Disconnect electrical power and compressed air lines. Do not touch parts under voltage!



Wear gloves!



Read these «**Installation, Operating & Maintenance Instructions**» and the enclosed «**General Safety Instructions**» carefully before you start any other action!



Installation, Operating, and Maintenance Instructions Series 08.2, DN 25 + 50 (1" + 2")

Imprint:

Manufacturer VAT Vakuumventile AG, CH-9469 Haag, Switzerland

Website
www.vatvalve.com

Phone
+41 81 771 61 61

Fax
+41 81 771 48 30

Email
CH@vatvalve.com

Publisher VAT Vakuumventile AG, CH-9469 Haag, Switzerland

Editor VAT Vakuumventile AG, CH-9469 Haag, Switzerland

Print VAT Vakuumventile AG, CH-9469 Haag, Switzerland

Copyright © VAT Vakuumventile AG 2008

No part of these Instructions may be reproduced in any way (photocopies, microfilms or any other reproduction processes) nor may it be manipulated with electronic systems, duplicated or distributed without written permission from VAT. Offenders are liable to pay damages.

The original VAT firmware and updated state of the art versions of the VAT firmware are intended for use with VAT products. The VAT firmware contains a limited, time unlimited user license. The VAT firmware may not be used for purposes other than those intended nor is it permitted to make copies of the VAT firmware. In particular, it is strictly forbidden to give copies of the VAT firmware to other people.

The use of trade names, brand names, trademarks, etc. in these Instructions does not entitle third parties to consider these names to be unprotected and to use them freely. This is in accordance with the meaning of the laws and acts covering brand names and trademarks.



Intended use of product

Use product for vacuum applications under the conditions indicated in the chapter «Technical data» only! Other applications are only allowed with the written permission of VAT.

Technical data

Pressure range	1 x 10 ⁻⁷ mbar to 2 bar (abs)
Differential pressure on the gate	≤ 2 bar in either direction
Max. Differential pressure at opening	≤ 30 mbar
Admissible temperature: Valve body	≤ 100°C
Manual actuator	≤ 80°C
Position indicator	≤ 80°C

The temperatures specified in the technical data are only admissible if the valve is in open or closed position. Operation of the valve during the bakeout cycle is prohibited.

Further data according to VAT catalogue «Vacuum Valves 2000».

Installation into the vacuum system

The valve seat side is indicated by the symbol "∇" on the connection flange.

Admissible forces

Forces from evacuating the system, from the weight of other components, and from baking can lead to deformation of the valve body and to malfunction of the valve. The stress has to be relieved by suitable means, e.g. bellows sections. The following forces are admissible:

DN (nom. I.D.)		Axial tensile or compressive force «FA»		Bending moment «M»	
mm	inch	N	lbf	Nm	lbf · ft
25	1	345	77	15	11
50	2	590	132	29	21

If a combination of both forces («FA» and «M») occurs, the values mentioned above are invalid. Please contact VAT for more information.

Operation

Normal operation

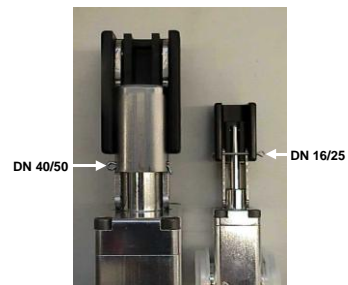
Valve is opened and closed by means of turning the toggle lever by 180°.

Admissible temperature

See «Technical data»!

Mechanical locking of the manual actuator

To avoid unintentional opening or closing, the manual actuator can be mechanically locked by inserting a thin split pin (see arrows in the picture).





Installation, Operating, and Maintenance Instructions Series 08.2, DN 25 + 50 (1" + 2")

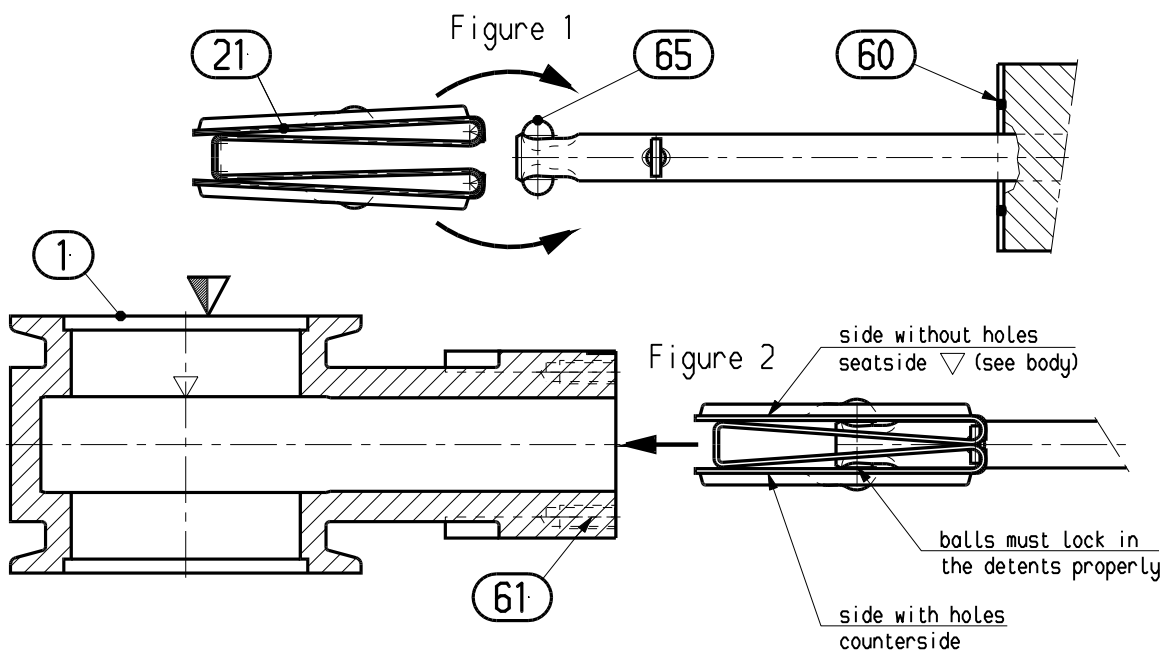
Preventive maintenance

Under clean operating conditions, the valve does not require any maintenance during the specified cycle life.

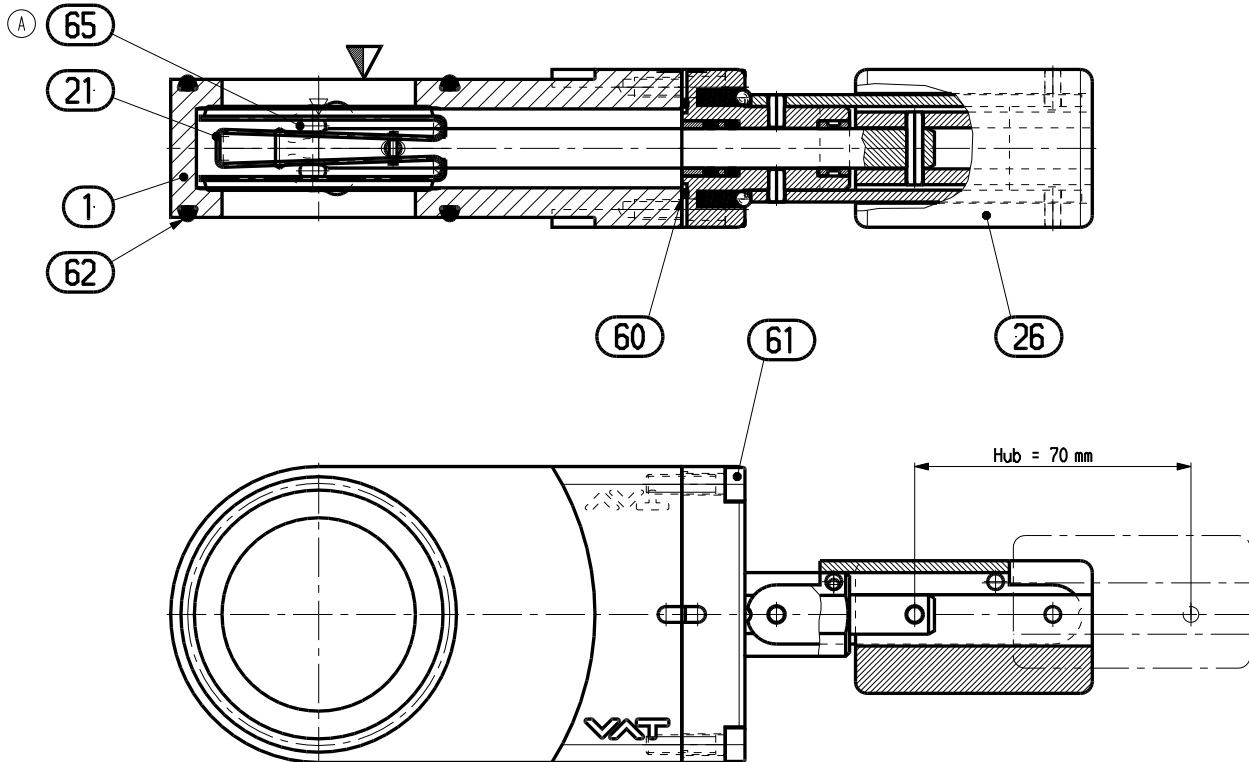
Maintenance

Replacement of the gate

1. Vent chambers on either side of valve
2. Open valve by means of manual actuator
3. Remove bonnet screws (61) in crosswise order
4. Withdraw actuator/mechanism assembly carefully from body
Attention: Balls (65) can fall out!
5. Spread old gate (21) and remove it carefully (balls will fall out)
6. Put new balls (65) into detents of piston shaft and hold them with thumb and forefinger
7. Clip on new gate (21) (see figure 1)
Attention: Check whether balls are inserted correctly in their detents
8. Check whether gate is inserted properly
Attention: Seat side: marking «▽» on body and gate side without holes (see figure 2)
9. Check and clean sealing surfaces of bonnet-O-ring and valve seat
10. Reassemble in reverse order
Attention: Tighten screws (61) in crosswise order!
 Torque: DN 16/25 1 Nm / 0.74 lbf · ft
 DN 40/50 2 Nm / 1.48 lbf · ft



Spare parts



Item	Description	Qty.	VAT part number	
			DN 25	DN 50
	Valve ordering number		08228- FA06	08234- . A06
21	Valve mechanism (incl. rubber stop)	1	202200	202198
65	Pair of locking balls	1	202200	202198
60	Bonnet seal	1	N-5100-026	N-5100-033
62	O-ring for flat body	2	N-5100-125	N-5100-230
	Valve ordering number		08228-FA . . / -FA06	08234-FA . . / -FA06
21 60 62 65	Complete seal kit «flat»	1	201948	96196-R1

Trouble shooting

Valve does not close/open:	Check mechanism! Is toggle lever defective?
Leak at gate:	Clean valve seat and gate! Replace gate, if damaged! Is toggle lever defective?
Leak at body:	Flanges leaktight? Replace bonnet seal! Screws at bonnet tightened?

Repairs

Contact VAT for repairs or maintenance. The fabrication No. (082 . . -FA06- / . .) marked on the valve body has always to be specified. It has to be individually decided whether the work can be performed by the customer or has to be carried out by VAT.

All supplies (e. g. compressed air, electrical power) have to be disconnected for removal/installation of the valve from/into the system.



Even with disconnected supply, loaded springs and/or air cushions in cylinders can be potential hazards.



Keep fingers and objects away from the valve opening!

Products returned to VAT for repair have to be free of harmful substances such as e.g. toxic, caustic or microbiological ones. For radioactively contaminated products the customer has to fill in the VAT form «Contamination and Radiation Report» and to send it with the product. The form is available at VAT. The maximum permissible values indicated in the form must not be exceeded.



Warranty

Each product sold by VAT Vakuumentile AG (VAT) is warranted to be free from the manufacturing defects that adversely affect the normal functioning thereof during the one-year period immediately following delivery thereof by VAT, provided that the same is properly operated under conditions of normal use and that regular, periodic maintenance and service is performed or replacements made, in accordance with the instructions provided by VAT. The foregoing warranty shall not apply to any product or component that has been repaired or altered by anyone other than an authorized VAT representative or that has been subject to improper installation or abuse, misuse, negligence or accident. VAT shall not be liable for any damage, loss, or expense, whether consequential, special, incidental, direct or otherwise, caused by, arising out of or connected with the manufacture, delivery (including any delay in or failure to deliver), packaging, storage or use of any product sold or delivered by VAT shall fail to conform to the foregoing warranty or to the description thereof contained herein, the purchaser thereof, as its exclusive remedy, shall upon prompt notice to VAT of any such defect or failure and upon the return of the product, part or component in question to VAT at its factory, with transportation charges prepaid, and upon VAT's inspection confirming the existence of any defect inconsistent with said warranty or any such failure, be entitled to have such defect or failure cured at VAT's factory and at no charge therefor, by replacement or repair of said product, as VAT may elect. VAT MAKES NO WARRANTY OR REPRESENTATION OF ANY KIND, EXPRESS OR IMPLIED, (INCLUDING NO WARRANTY OR MERCHANTABILITY), EXCEPT FOR THE FOREGOING WARRANTY AND THE WARRANTY THAT EACH PRODUCT SHALL CONFORM TO THE DESCRIPTION THEREOF CONTAINED HEREIN, and no warranty shall be implied by law.

Furthermore, the «Terms of sale» at the back of the price list are applicable.