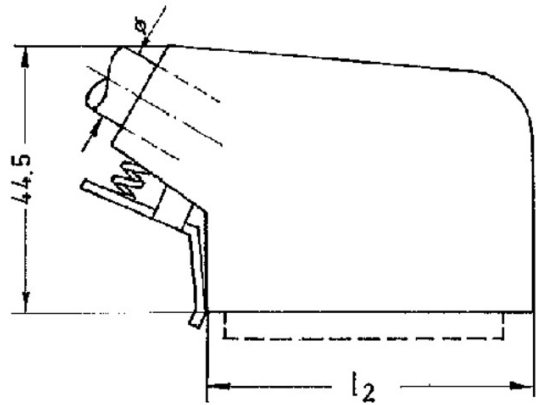


order number: H00031A0957

housing 12/16



Fig. may differ



Technical Attributes	
Short name	housing 12/16
for connectors according to DIN 41 618	16-way
for connectors according to DIN 41 618	12-way
Remarks	metal, black

Description of the Series/Product Category

Notice: The following information refer to the series/product category as a whole. Please see the specific datasheet for specific technical information of a particular product.

The termination is soldering. Male connectors with terminals for PCB mounting and with wire wrap posts are possible (on request).

Connectors according to DIN 41 618 and DIN 41 622 are knife-/spring contact types. Its rugged design causes a reliable electrical connection. They are mainly used in plug in unit designs and as cable connectors, using metal-/plastic housings with corresponding coding and locking parts.