

SENTECH

Aegis Electronic Group
www.aegiselect.com

STC-TB202USB-AT/AS STC-TC202USB-AT/AS Product Specification

**Software Trigger USB 2.0
Color / Monochrome UXGA CCD Camera**

This information is brought to you by:

The logo for Aegis Electronic Group, featuring the word "Aegis" in a stylized, cursive font with a red underline.

ELECTRONIC GROUP, INC
480-635-8400 p * aegis-g2@aegiselect.com
<http://www.aegis-elec.com>

Contents

I. Specifications	
A. Electronic Specs / Mechanical Specs / Environmental Conditions	
1. STC-TC202USB-A/TB202USB-A: Case Type.....	1
II. Dimensions	
A. STC-TC202USB-AT / TB202USB-AT: Right-Angle / Case Type.....	2
B. STC-TC202USB-AS / TB202USB-AS: Straight / Case Type.....	2

Aegis Electronic Group
www.aegiselect.com

I. Specifications

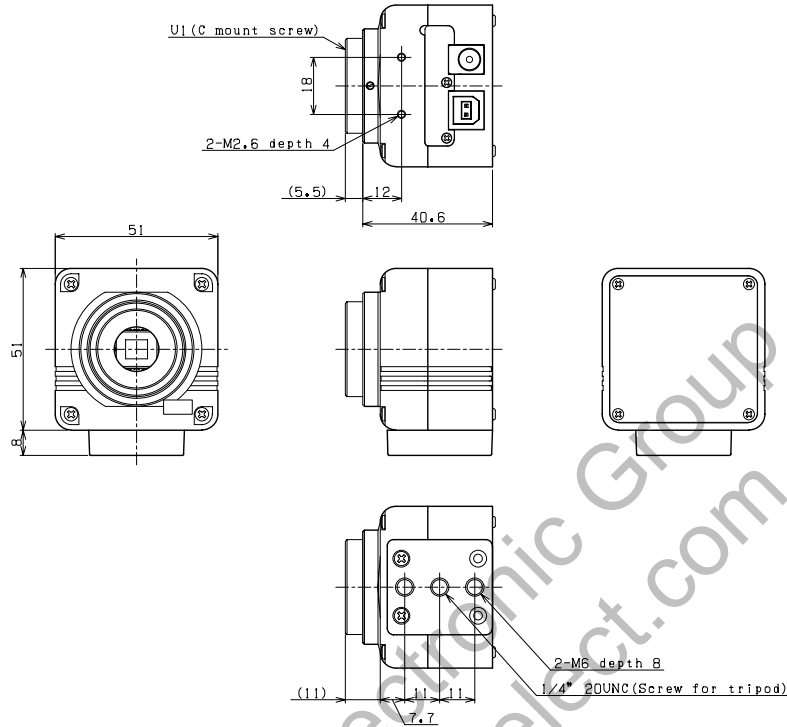
A. Electronic Specifications / Mechanical Specifications / Environmental Conditions

1. STC-TC202USB-AT / TC202USB-AS / TB202USB-AT / TB202USB-AS: Case Type

Product		STC-TC202USB-AT	STC-TC202USB-AS	STC-TB202USB-AT	STC-TB202USB-AS	
Electronic Specification	Imager	1/1.8" Interline UXGA Color Progressive CCD: ICX274AQ		1/1.8" Interline UXGA Monochrome Progressive CCD: ICX274AL		
	Total Picture Elements	1688 (H) x 1248 (V)				
	Effective Picture Elements	1628 (H) x 1236 (V)				
	Chip Size	8.50 (H) x 6.80 (V) mm				
	Cell Size	4.40 (H) x 4.40(V) μ m				
	Scanning System	Progressive				
	Scanning Methods	Full scanning, 1/1 Partial Scanning, 1/2 Partial Scanning, 1/4 Partial Scanning, Variable Partial Scanning		Full Scanning, 1/1 Partial Scanning, 1/2 Partial Scanning, 1/4 Partial Scanning, Variable Partial Scanning, Binning, Binning 1/1 Partial Scanning, Binning 1/2 Partial Scanning, Binning 1/4 Partial Scanning, Binning Variable Partial Scanning		
	Pixel Frequency	36.818 MHz				
	Maximum Frame Rate	Full Scanning	15.32 fps			
		1/2 Partial	30.63 fps			
		1/4 Partial	61.27 fps			
	Resolution	1600 (H) x 1200 (V) (Full Scanning) 1600 (H) x 544 (V) (1/2 Partial Scanning) 1600 (H) x 208 (V) (1/4 Partial Scanning)				
	Minimum Scene Illumination	0.4 Lux at F1.2		0.2 Lux at F1.2		
	Sync. System	Internal				
	Electronic Shutter	Auto / Manual (Software Selectable)				
	Gain	Auto / Manual (Software Selectable)				
	Gamma	Manual (Software Selectable)				
	White Balance	Auto / Manual / OneShot (Software Selectable)			-	
	Trigger Mode	Free-run / Edge Preset Trigger (Software Selectable)				
	Input / Output	USB 2.0 High Speed				
Power Supply	Input Voltage	DC +5V \pm 0.3V through DC Jack				
	Consumption	Less than 560 mA				
Mechanical Specifications	Dimensions	51 (W) x 51 (H) x 41.6 (D) mm	51 (W) x 51 (H) x 44.3 (D) mm	51 (W) x 51 (H) x 41.6 (D) mm	51 (W) x 51 (H) x 44.3 (D) mm	
	Lens Mount	C Mount				
	Tripod	2 screws on the bottom plate				
	Weight	Approximately 145g				
Environmental Conditions	Temperature and Humidity	Operational	Temperature: 0 to 40° C, RH: 0 to 85% (No Condensation)			
		Storage	Temperature: -30 to 65° C, RH: 0 to 90% (No Condensation)			
	Vibration	20 Hz to 200 Hz to 20 Hz (5min./cycle), acceleration 10G, 3 directions 30 min. each				
	Shock	Acceleration 70G, half amplitude 6ms, 3 directions 3 times each				
	Standard Compliancy	TBDEMS :EN61000-6-2, EMI: EN61000-6-3 (Class B)				
RoHS	RoHS Compliant					

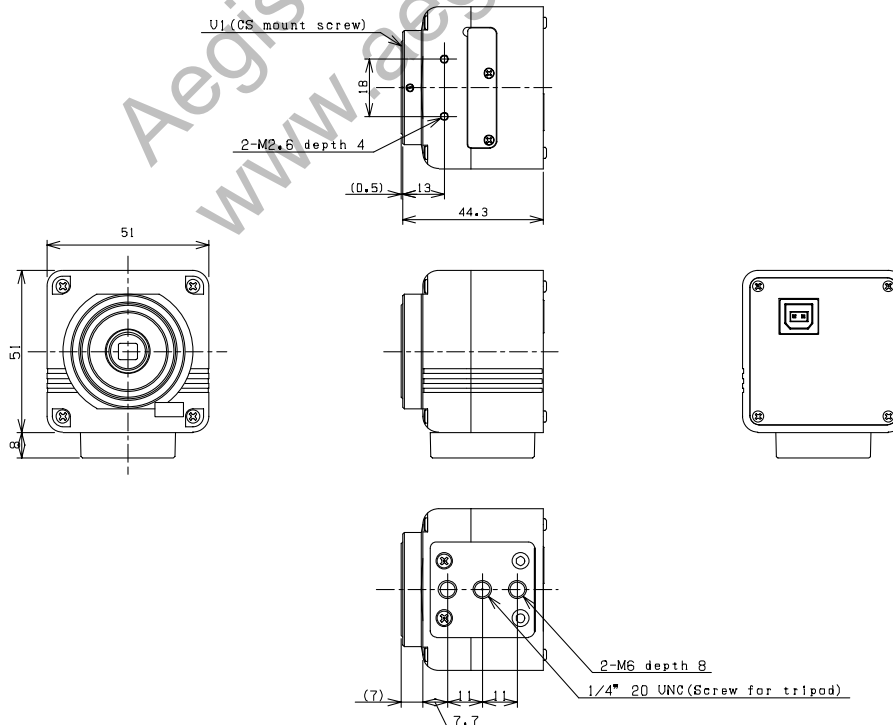
Dimensions

Dimensions (STC-TC202USB-AT / TB202USB-AT: Right-Angle / Case Type)



Unit: mm

Dimensions (STC-TC202USB-AS / TB202USB-AS: Straight / Case Type)



Unit: mm

Revisions

Revision	Date (D/M/Y)	Changes	Name	Changes
1.0	24/01/2008	New Document	Sam Aimono	
1.1	26/03/2008	Specifications update (Scanning methods) Add Binning and binning partial (1/1, 1/2, 1/4, variable) for the monochrome type	Sam Aimono	
1.2	14/05/2008	Edited English	Michelle Campbell	

Aegis Electronic Group
www.aegiselect.com

Aegis Electronic Group
www.aegiselect.com

This information is brought to you by:



ELECTRONIC GROUP, INC

480-635-8400 p * aegis-g2@aegiselect.com

<http://www.aegis-elec.com>