

**1/4" CCD
Industrial Color
DSP Camera**



(Lens not included)

The STC-640CC series industrial color camera provides excellent performance utilizing 10 bit digital signal processing (DSP). The camera features high quality color reproduction, a 1/4" high resolution IT CCD, electronic shutter to 1/10,000 of a second, RS232C controllable, external sync, Y/C and composite video outputs and a 12 pin connector for easy access of power and Y/C signals. The STC-640CC is available in NTSC and PAL formats.

Features

- AGC / Manual Gain
- RS232C Controllable
- Y/C and Composite Outputs
- 1/4" IT CCD, 768(V) x 494(H)
- Electronic Shutter
- External Sync, (HD/VD)
- Low Speed Shutter
- Backlight Compensation
- Small size, Lightweight
- 480 TV Lines
- White Balance: Manual, Full Auto
- 12 pin Connector
- 10 Bit DSP (User Accessible)
- Negative / Positive Reversal
- NTSC & PAL Formats
- 1 Lux Minimum Illumination
- 12VDC
- Uses 'CS' mount lenses, 'C' w/adaptor

STC-640CC/645CC

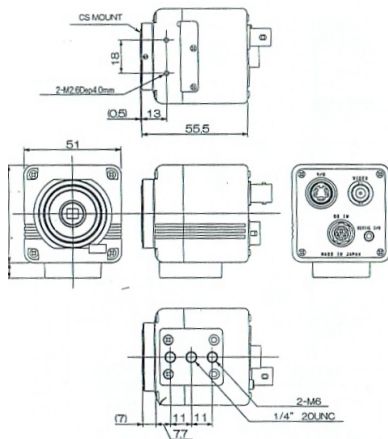
Technical Specifications

STC-640CC

Pick Up Device	1/4" Interline CCD
Picture Elements	768(H) x 494(V)
Signal Format	NTSC
DSP	10 Bit
Horizontal Frequency	15.734kHz
Vertical Frequency	59.94Hz
Lens Mount	CS/C-Mount (w/adaptor)
Sync System	Internal/External(HD,VD)
Horizontal Resolution	480 TV Lines
Minimum Illumination	1 Lux @ F1.2
S/N Ratio	More than 48dB AGC Off
AGC	On/Off Selectable
Electronic Shutter	1/60-1/10,000 Auto/Fixed
Low Speed Shutter	2Fld-16Fld
White Balance	Manual, Full Auto
Video Output	1.0Vp-p 75 Ohms
Y/C Output	0.7Vp-p 75 Ohms
Gamma	0.45, DSP Adjustable
Serial I/O	RS232C Controllable
Backlight	Activated w/ AGC & Electronic Iris
Negative/Positive	Selectable
Output Connectors	BNC & 12 Pin(Y/C)
Power Requirements	DC10-12V
Power Consumption	180mA
Operating Temp	-10deg. ~+40deg.C 14~104F
Dimensions (mm)	51(W) x 51(H) x 55.5(D)
Weight	190g

STC-645CC

Pick Up Device	1/4" Interline CCD
Picture Elements	752(H) x 582(V)
Signal Format	PAL
DSP	10 Bit
Horizontal Frequency	15.625kHz
Vertical Frequency	50.0Hz
Lens Mount	CS/C-Mount (w/adaptor)
Sync System	Internal/External(HD,VD), Auto
Horizontal Resolution	480 TV Lines
Minimum Illumination	1 Lux @ F1.2
S/N Ratio	More than 48dB AGC=Off
AGC	On/Off Selectable
Electronic Shutter	1/50-1/10,000 Auto/Fixed
Low Speed Shutter	2Fld-16Fld
White Balance	Manual, Full Auto
Video Output	1.0Vp-p 75 Ohms
Y/C Output	0.7Vp-p 75 Ohms
Gamma	0.45, DSP Adjustable
Serial I/O	RS232C Controllable
Backlight	Activated w/ AGC & Electronic Iris
Negative/Positive	Selectable
Output Connectors	BNC & 12 Pin(Y/C)
Power Requirements	DC10-12V
Power Consumption	180mA
Operating Temp	-10deg. ~+40deg.C(14~104F)
Dimensions (mm)	51(W) x 51(H) x 55.5(D)
Weight	190g



Weights and dimensions shown are approximate. Specifications are subject to change without notice. These products may be subject to export control regulations.

