

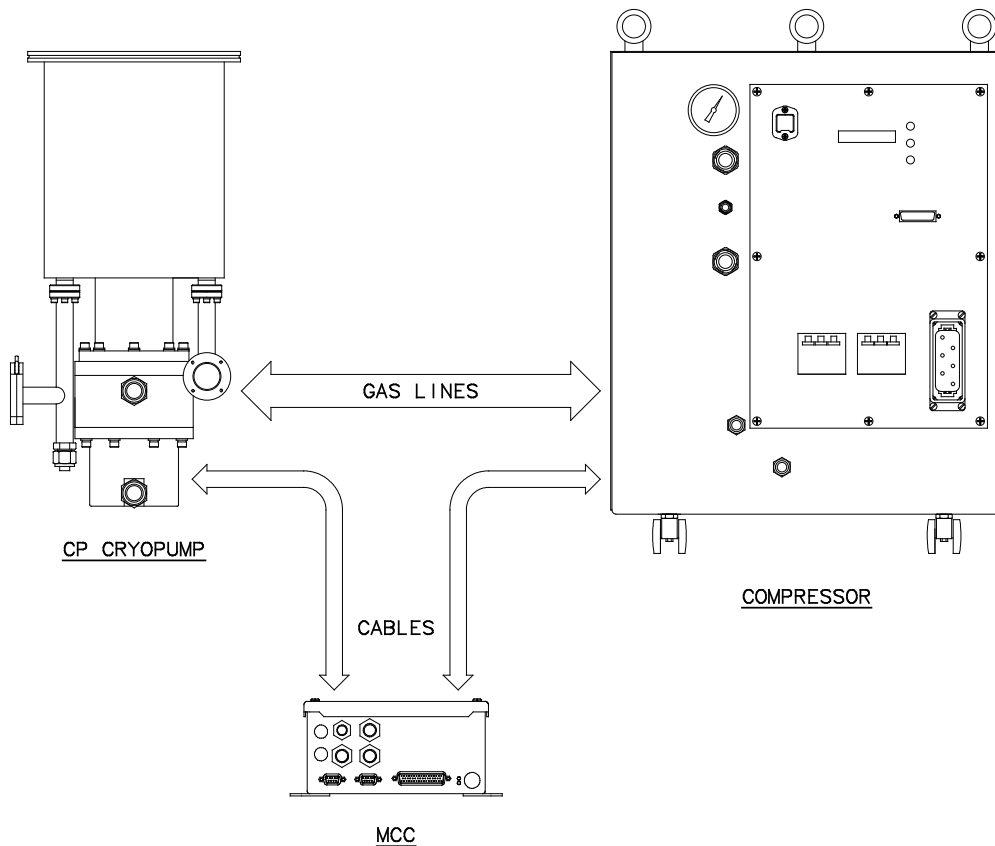
MARATHON® CRYOPUMP CONTROLLER

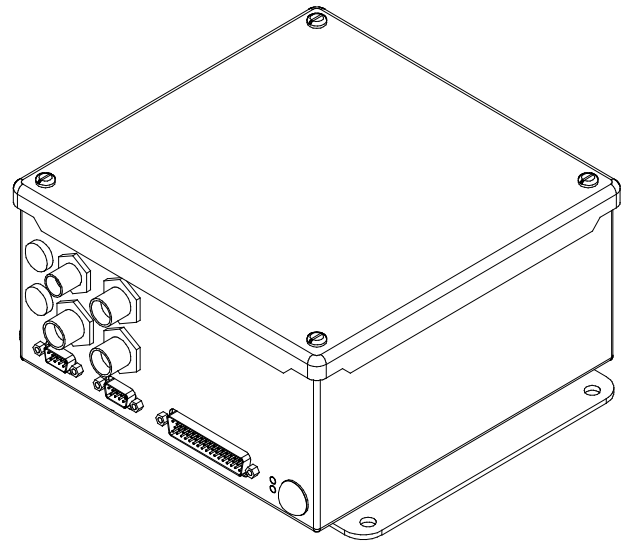
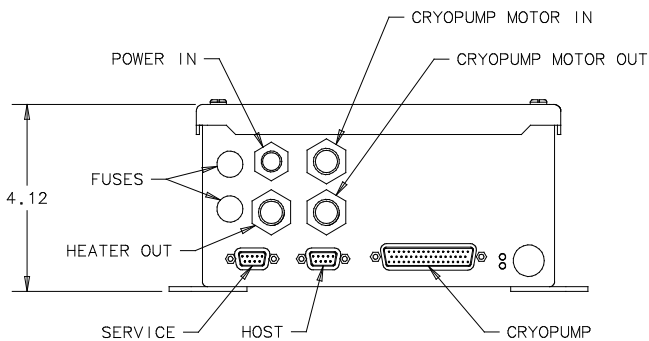
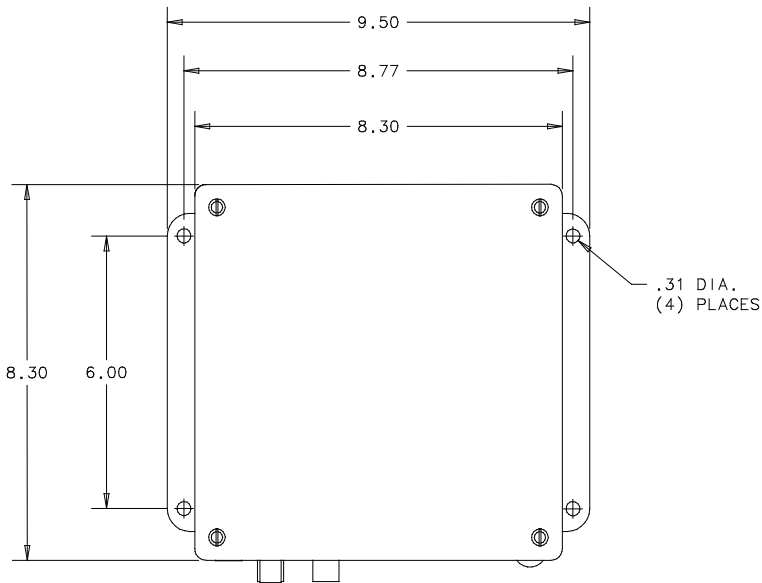


The Marathon® Cryopump Controller (MCC) is a sophisticated, modular and remote accessory for the complete line of Marathon CP Cryopumps. The MCC offers the following advanced features:

- Automated cryopump regeneration
 - Continuous feedback regarding operational modes, component status, temperatures and pressures
 - Fast or Full regeneration modes
 - Modular design
 - Designed for operation with high or low voltage SHI Compressors
 - Standard RS232 interface
- Two user-programmable relays to assist in system integration
 - Interlock controls to assure safe, reliable and automated operation of Marathon CP cryopump systems
 - Communication with host computer or PLC using standard cryopump industry protocol
 - Available with optional SHI software to enable interface control and monitoring with customer's Windows-based PC or laptop

The MCC can be purchased a part of an entire Marathon CP Cryopump system or separately to upgrade and existing MCC-compatible CP series cryopump.





For Information in: Asia

Sumitomo Heavy Industries, Ltd.
ThinkPark Tower
Cryogenics Division, Sales Department
1-1, Osaki 2-Chome, Shinagawa-Ku
Tokyo 141-6025, Japan
Phone: +81-3-6737-2550
Fax: +81-3-6866-5114
E-mail: cryo@shi.co.jp

Sumitomo Heavy Industries (Shanghai), Ltd.
Room 1301, Xingdi Business Building
1698 Yishan Road, Minhang District
Shanghai 201103, P.R. China
Phone: +86-21-3462-7660
Fax: +86-21-3462-7661
E-mail: Jin-Lin_Gao@shi.co.jp

SHI Cryogenics of Korea Co., Ltd.
Room 619-620, Venture Valley
#958 Goseck-Dong, Kwonsun-Gu
Suwon-City, Gyeonggi-Do, South Korea
Phone: +82-31-278-3050
Fax: +82-31-278-3053
E-mail: Won_Bum_Lee@shi.co.jp

Europe

Sumitomo (SHI) Cryogenics of Europe, Ltd.
3 Hamilton Close, Houndmills Industrial Estate
Basingstoke, Hampshire RG21 6YT
United Kingdom
Phone: +44 (0) 1256 853333
Fax: +44 (0) 1256 471507
E-mail: uksales@shicryogenics.com

Sumitomo (SHI) Cryogenics of Europe, GmbH
Daimlerweg 5a
Darmstadt D-64293, Germany
Phone: +49 (0) 6151 860 610
Fax: +49 (0) 6151 800 252
E-mail: contact@sumitomocryo.de

World Wide Web: www.shicryogenics.com

United States

Sumitomo (SHI) Cryogenics of America, Inc.
1833 Vultee Street
Allentown, PA 18103
Phone: +1 610-791-6700
Fax: +1 610-791-0440
E-mail: sales@shicryogenics.com

Sumitomo (SHI) Cryogenics of America, Inc.
456 Oakmead Parkway
Sunnyvale, CA 94085
Phone: +1 408-736-4406
Fax: +1 408-736-7325

Sumitomo (SHI) Cryogenics of America, Inc.
1500-C Higgins Road
Elk Grove Village, IL 60007
Phone: +1 847-290-5801
Fax: +1 847-290-1984

© SHI Cryogenics Group 10/09