

iKon Series Quick Start Guide

For iKon L (936) and iKon-M (934) models



2 Unpack the Camera

Camera	Essentials	Cables		
<p>iKon-M or L Camera (model as ordered)</p>	<p>Documentation scan or visit: andor.oxinst.com/welcome</p> <p>Software (copy supplied)</p> <p>Hex Key Set</p>	<p>USB 2.0 Cable</p> <p>Power Supply 1x iKon-M 2x iKon-L</p>	<p>Trigger Cable 1 x BNC to SMB</p> <p>PS-40 to Camera Cable iKon-L models only</p>	<p>Country Specific Power Cord</p>

1 Prepare your Facility

- Handle the camera and accessories with care.
 - Use correct power supply and cables.
 - Observe anti-static precautions when installing the controller card and camera.
 - Store between -25°C and 50°C. Operate between 0°C and 30°C.
 - Ensure 100 mm clearance around camera and power supply vents (Do **not** block vents when operating on benchtop).
 - Operation of the camera close to intense pulsed sources (e.g. plasma and X-ray sources) may compromise performance.
 - Keep dry, <70% humidity non-condensing.
- Refer to the user manual for further information

3 Install Software (SDK2 or Solis)

You must have administrator access on your PC to perform this installation.

These instructions cover installation of both Andor Solis and Andor SDK if ordered. A copy of the software is provided within the camera box. Additionally, the latest software files are available to download on request, please sign in or create an account at andor.oxinst.com/downloads

Windows: Switch on the PC, run the setup exe from the supplied copy or the downloaded file: e.g. AndorSDK2Setup-<version>.exe

1. Confirm the version of software (minimum is v2.1x)
2. Follow the on screen prompts.
3. Select the installation directory when prompted.
4. If prompted for camera type select **iKon**.
5. On the final window click on **"Install"**. Continue to follow the on screen prompts.
6. To complete the installation, when prompted select **"Yes, restart the computer now"** and click on the finish button.

Linux:
For detailed instructions on how to install the SDK drivers on Linux please refer the Andor SDK2 Manual, available at andor.oxinst.com/downloads.



4 Camera Cooling Guidelines

iKon-M Models:

There are two cooling hose connectors that are located on the top plate of the camera for connection of the iKon-M to a water cooler, or re-circulator system. One end is inserted into the camera body, the other end is barbed for push-fit connection to suitable tubing.

iKon-L Models:

There are two cooling hose connectors that are located on the base plate (connections panel) of the camera for connection of the iKon-L to a water cooler, or re-circulator system. One end is fixed into the camera body, the other end is barbed for push-fit connection to suitable tubing.

All Models:

When Liquid Cooling:

Before operation, the camera must be connected via its 2 coolant pipes to a re-circulating cooler or other liquid cooling system. Always use coolant that is above the dew point of the ambient environment to prevent condensation from occurring. Refer to the Hardware Guide for dew point information.

- **Coolant temperature:** We typically advise use of coolant temperature up to 16°C. However, to ensure non-condensing conditions in humid environments higher temperatures may be necessary.
- **Recommended coolant:** water or water/glycol mix depending on the ambient environmental temperature during operation.
- Ensure that all liquid coolant has been expelled from the camera after operation if it is to be stored.

When air cooling:

- Ensure that ventilation slots are not obstructed when in air cooled mode.

Please see the model specific Hardware Guide for further information on cooling.

6 Connect the Camera and Switch it on

 Ensure the mains power cable is not inserted before attaching the PSU to the camera.

iKon-M Models

1. Connect the power cable between the Camera power input (rear panel) and the PSU and then connect the power cable of the PSU to the mains supply.

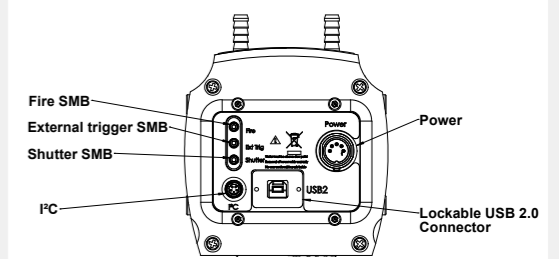
iKon-L Models

2. See instructions in Section 5 to connect iKon-L camera to power supply.

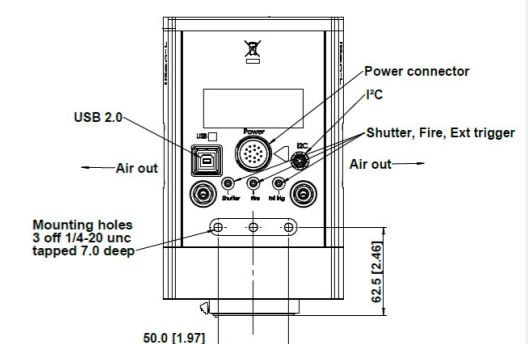
All Models

3. Connect the USB 2.0 cable from the iKon-M or iKon-L to a suitable USB 2.0 port on the control PC.
4. Turn on the Camera.
5. Start your software.
6. View and adjust the acquisition settings as required.
7. Start acquiring data.

iKon-M Rear Panel Connections



iKon-L Connections Panel

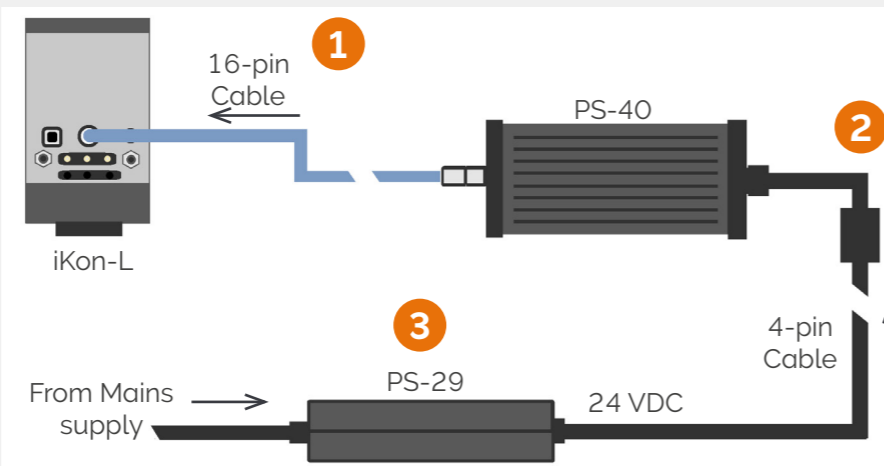


5 Connect the Power Supply (iKon-L models)

 Ensure the mains power cable is not inserted before attaching the PSU to the camera.

The iKon-L uses a dual PSU setup comprised of a PS-40 and a PS-29. The PS-29 (or equivalent user supplied unit) is connected to the mains electrical supply via an IEC lead and performs AC-DC conversion. The PS-40 takes the 24 VDC output of the PS-29.

1. Connect the power cable between the camera power input and the PS-40, ensuring it is threaded correctly and tightened fully. **Note the alignment arrows during insertion!**
2. Ensure the PS-40 is switched off and then connect the power cable of the PS-29 to the PS-40. Note that there is an ON/OFF switch on PS-40.
3. Connect the PS-29 to the mains supply.



Ensure that the power connectors for the iKon-L camera are inserted securely.

Ensure that the  symbols on the power cable, the PS-40 and camera are aligned correctly

? Troubleshoot

Camera start-up tone does not sound on start-up

- The camera start-up tone should be audible momentarily when the camera is switched to ON.
- If this does not occur, ensure that power is connected to the camera and the ON/OFF switch is set to ON.

Support Device not recognised when plugged into PC

- Choose another USB port.

Please see the Hardware Guide for further information on Troubleshooting.

Online access to technical documentation and software downloads is available at: andor.oxinst.com/downloads