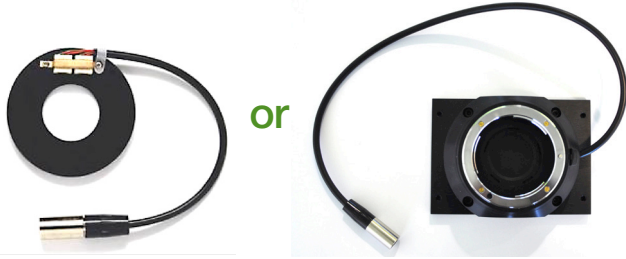


Cased Shutter Solution



Standalone shutter
ACC-SHT-NS25B

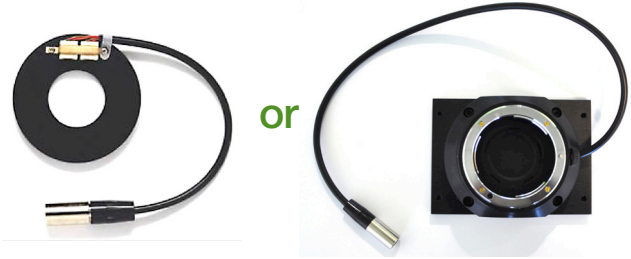
F-mount compatible
shutter interface
LMS-NIKON-F-NS25B

+



Shutter driver (cased)
ACC-SD-VED24

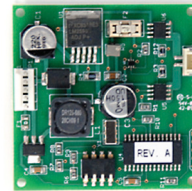
Un-cased Shutter Solution



Standalone shutter
ACC-SHT-NS25B-OEM

F-mount compatible
shutter interface
LMS-NIKON-F-NS25B-OEM

+



Shutter driver (OEM)
ACC-SD-ED12DSS-OEM

+12 to 24 V supply
(user to provide)

Features

- Up to 20 Hz repetition rate
- Ø25 mm aperture
- Suitable for a wide range of detectors and third party spectrographs
- 'Bi-stable' shutter configuration
Increased lifetime
- Low profile and compact shutter design
Ease of integration
- Easy electrical synchronization with Andor's detectors
- Casing-less driver option
Ideal for OEM integration

Andor's standalone shutter solution offers a high reliability, bi-stable 25 mm shutter configuration, and a choice of cased or un-cased drivers for easy integration into modular spectroscopy setups or OEM instruments.

The NS25B shutter also offers operation rates up to 20 Hz, ideal for imaging and spectroscopy applications including fast multi-track spectroscopy. Both Research and OEM shutter drivers are simply triggered from an Andor's detector's SMB "shutter" connection, and come pre-set for best operation with Andor's CCD or EMCCD cameras.

ANDOR REFERENCE	TYPE	DESCRIPTION
ACC-SHT-NS25B ACC-SHT-NS25B-OEM	Shutter (un-mounted)	<ul style="list-style-type: none"> • Ø25 mm [~1"] clear aperture • 5 blades configuration • 30 ms opening / closing time (typ), 15 ms holding / dwell time min. (typ.) * • 2 Hz continuous operation recommended, up to 20 Hz burst operation (4 seconds burst, 1 minute between burst sequences) * • Lifetime > 500,000 cycles • Low profile (see Figure 1 below) • 0.35 m [~14"] cable and connector interface • Weight: 41.6 g [1.33 oz] • Operating temperature: 0-80°C
LMS-NIKON-F-NS25B LMS-NIKON-F-NS25-OEM	Shutter (F-mount enclosed)	<ul style="list-style-type: none"> • Same shutter characteristics and connection (inc. cable) as ACC-SHT-NS25B • F-mount compatible assembly with embedded shutter • Weight: around 250 g [8.8 oz]

* Characteristics obtained with recommended drivers.

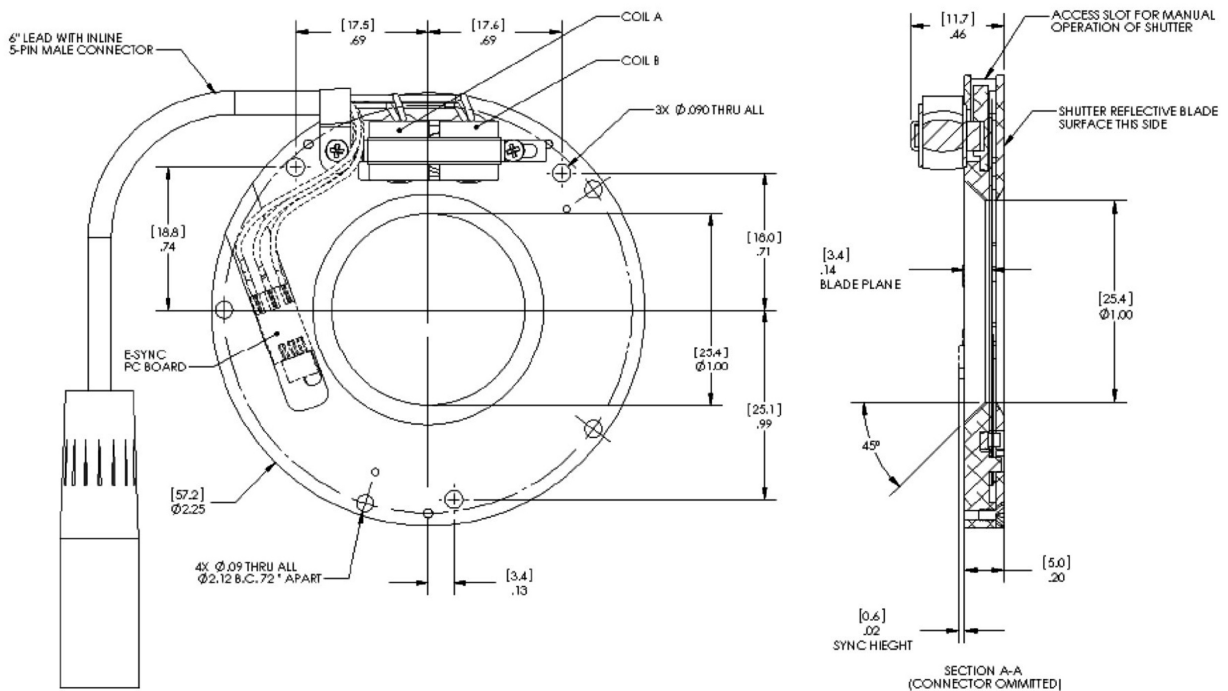
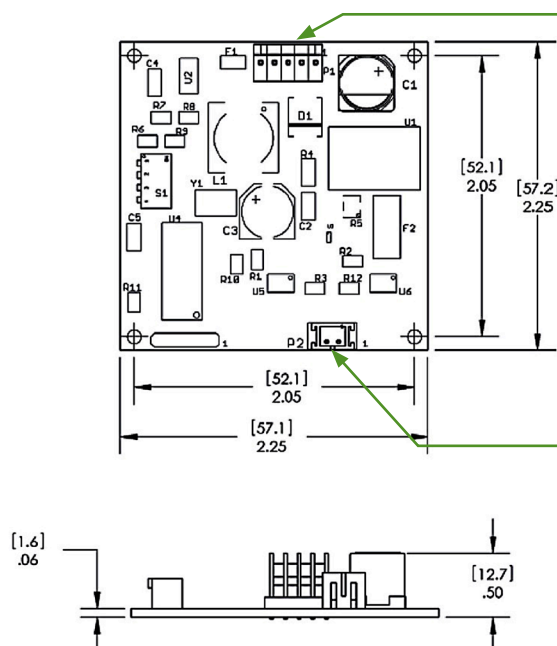


Figure 1 : ACC-SHT-NS25B and ACC-SHT-NS25B-OEM shutter mechanical drawings

ANDOR REFERENCE	TYPE	DESCRIPTION
ACC-SD-VED24	Shutter driver (enclosed)	<ul style="list-style-type: none"> Compatible with ACC-SHT-NS25B and LMS-NIKON-F-NS25B shutter configurations Factory pre-set for operation with Andor detectors Visual indicators for POWER ON, DRIVER active and SYNC output status RoHS compliant, CE/UL/CSA Certification Controller size: 41 x 139 x 116.8 mm [1.61 x 5.47 x 4.6"] Power supply size: 34.5 x 52.1 x 118.1 mm [4.65 x 2.05 x 4.65"] Controller weight: 0.35 kg [12.27 oz] Power supply weight: 0.5 kg [1.1 lbs] PS-24 external power supply (CE/UL certified) included 3 m driver-to-shutter cable included 2 m BNC-to-SMB cable (for synchronization of shutter from the detector)**
ACC-SD-ED12DSS ACC-SD-ED12DSS-OEM	Shutter driver OEM (open-frame)	<ul style="list-style-type: none"> Compatible with ACC-SHT-NS25B and LMS-NIKON-F-NS25B shutter configurations Factory pre-set for operation with Andor detectors 12 – 24 V (1.5 A) regulated input (power unit not included) RoHS compliant Size: 12.7 x 57.2 x 57.2 mm [0.5 x 2.25 x 2.25"] Weight: 21 g [0.73 oz] 1 m board-to-shutter cable (ASE-05709 fitted with 2-pin board connector and shutter connector) included Input cable harness with 5-pin polarized board connector and the following connections to external setup: <ul style="list-style-type: none"> Ø Shutter 5 V TTL signal input : BNC terminated, 0.15 m [6"] ** Ø Power input: flying leads 0.46 m [18"] 2 m BNC-to-SMB cable (for synchronization of shutter from the detector)**

** BNC to SMA cable also available on request

*** Shutter connection not needed if using supplied **ASE-05709** cable



Connections

P1 POWER - SIGNAL INPUT / OUTPUT

Pin #1 - INPUT: +12 to 24 VDC Regulated

Pin #2 - PASSIVE POWER RETURN

Pin #3 - PASSIVE SIGNAL RETURN

Pin #4 - INPUT: TRIGGER INPUT (5 V TTL - Active High)

Pin #5 - OUTPUT: +5 VDC, 0.25 A MAX

P2 SHUTTER OUTPUT

Pin #1 - OUTPUT: SHUTTER (A)

Pin #2 - OUTPUT: SHUTTER (B)

Figure 2 : OEM board ACC-SD-ED12DSS-OEM layout (inches [mm])



Order Today

Need more information? At Andor we are committed to finding the correct solution for you. With a dedicated team of technical advisors, we are able to offer you one-to-one guidance and technical support on all Andor products. For a full listing of our local sales offices, please see: www.andor.com/contact

Our regional headquarters are:

Europe

Belfast, Northern Ireland
Phone +44 (28) 9023 7126
Fax +44 (28) 9031 0792

Japan

Tokyo
Phone +81 (3) 6732 8968
Fax +81 (3) 6732 8939

North America

Concord, USA
Phone +1 (860) 290 9211
Fax +1 (860) 290 9566

China

Beijing
Phone +86 (10) 8271 9066
Fax +86 (10) 8271 9055