

MANUAL No.4769A①

SERIES No.176

TM-500 Series

TOOLMAKER'S MICROSCOPE

User's Manual

Read this User's Manual thoroughly
before operating the instrument. After reading,
retain it close at hand for future reference.

Mitutoyo

PREFACE

Thank you for purchasing the Mitutoyo TM-500 series Measuring Microscope.

- This User's Manual explains the hardware operations of the Mitutoyo TM-500 series and the precautions to be observed during operation. To obtain the best possible performance and longest service life from your TM-500 series Measuring Microscope, please read this user's manual thoroughly. Be sure to read PRECAUTIONS before using this Measuring Microscope.
- After reading this user's manual retain it for future reference.

CONVENTIONS USED IN THIS MANUAL

The following visual cues are used throughout this manual to identify different types of information:



Indicates that the operator should exercise care to avoid danger of fire, explosion, or personal injury.



Indicates that operating the instrument in this manner may damage it or may cause it to malfunction.



Draws attention to important information, recommended operation techniques, or helpful tips.



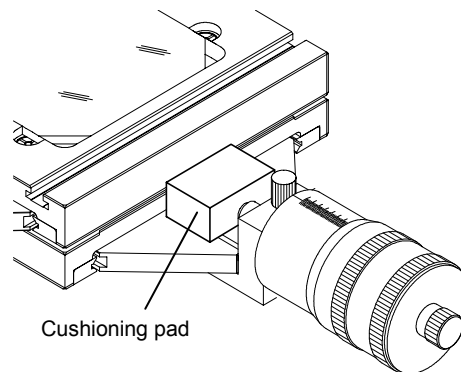
Gives reference location for further information on topic.

Highlights installation, measurement, or other procedures.

PRECAUTIONS

(1) Relocation

- The Measuring Microscope is a precision instrument. Handle it with care when transporting/relocating. Do not touch the movable members, which must be secured, during transportation.
- Place a cushioning pad between the Micrometer Head and the XY stage, as shown below, to prevent the Micrometer Head spindle from hitting the table.



(2) Installation

Install the TM-500 in a site with:

- as little dirt, dust, and humidity as possible. Put the supplied dust cover on it if it is not going to be used for an extended period of time.
- no vibrations.
- no sudden temperature changes, which may result if the site is subjected to direct sunlight.

(3) Explosive Hazard

- Do not operate the Measuring Microscope in the presence of explosive gas.

(4) Power Supply

- Depending on the installation site, voltage fluctuation may cause a change in light intensity or flickering of the illumination bulb. Although this does not affect measurement, use a voltage stabilizer if a stable light intensity is required.
- Use an AC power supply which is isolated from high-voltage, large-current machinery. High-voltage, large-current machinery often emits a substantial amount of electric noise due to surge currents, which can adversely affect this measuring system if it draws power from an AC outlet often provided on such equipment. Therefore, the Measuring Microscope should draw power from a separate outlet. The power cable of the Measuring Microscope should run as far apart as possible from such noise sources.

-
- Only use the power cord that is supplied with the instrument. For a replacement power cord, contact Mitutoyo.
 - Only use the supplied replacement fuse or a fuse with identical specifications (type, nominal voltage and current).

(5) Ground Positively

- Ground the Measuring Microscope positively, especially if it must be installed near equipment emitting substantial amounts of electric noise. To do this connect the grounding wire from the Measuring Microscope to the body of a piece of equipment, which also must be grounded. The grounding wire should be as short as possible and should not be wound into a loop or coil.

(6) Do Not Disassemble

- There are high-voltages inside the Measuring Microscope. Do not attempt to disassemble it unless otherwise specified.

WARRANTY

In the event that the Mitutoyo Measuring Microscope TM-500 series should prove defective in workmanship or material, within one year from date of purchase for use, it will be repaired or replaced, at our option, free of charge upon its prepaid return to us.

CONTENTS

PREFACE.....	i
CONVENTIONS USED IN THIS MANUAL	i
PRECAUTIONS.....	ii
WARRANTY	iii
1. Outline	7
1.1 Description.....	7
1.2 Name of Each Part	8
2. Installation and Setup	11
2.1 Package Contents	11
2.2 Installation Site	11
2.3 Setting-up.....	12
2.4 Checking and Adjustment.....	13
2.4.1 Checking the reticle position against the XY stage movement direction ..	13
2.4.2 Checking the centering of the reticle	13
2.4.3 Adjusting the reticle	14
3. Measurement	17
3.1 Preparations for Measurement.....	17
3.1.1 Precautions for measurement	17
3.1.2 Replacing the lenses	18
3.1.3 Fixing the workpiece.....	18
3.1.4 Illumination modes.....	19
3.1.5 Replacing reticles	20
3.1.6 Adjusting the diopter.....	20
3.1.7 Bringing the measuring surface into focus.....	21
3.1.8 Positioning the workpiece	21

3.2 Measurement.....	22
3.2.1 Dimensional measurement	22
3.2.2 Angle measurement.....	23
3.2.3 Template matching inspection	24
3.2.4 Step measurement	24
4. Maintenance	25
4.1 Cleaning and Lubrication.....	25
4.2 Inspection.....	25
4.3 Replacing Consumable Parts	27
4.4 Consumable Parts.....	29
5. Troubleshooting.....	31
6. Specifications	35
7. Optional Accessories.....	37
8. Reference Diagrams.....	39
SERVICE NETWORK.....	41



1

Outline

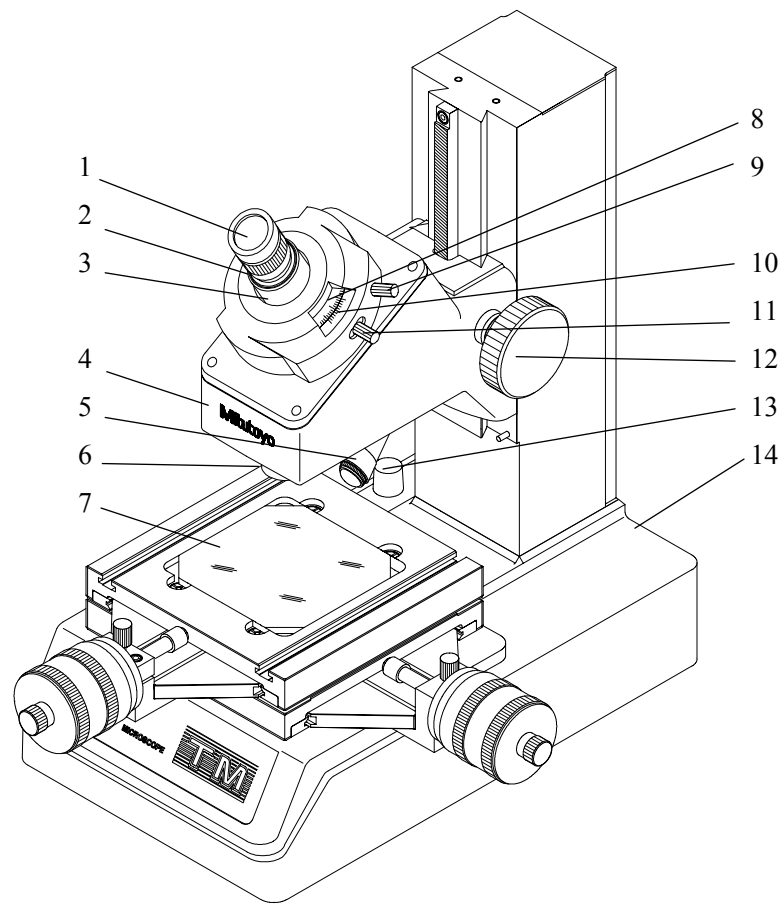
This chapter outlines the Mitutoyo Toolmaker's Microscope TM-500 series and gives the name of each part.

1.1 Description

The Mitutoyo Toolmaker's Microscope TM-500 series (TM-505 and TM-510) are easy-to-use, compact-size Toolmaker's Microscopes that feature a vertical supporting column. Designed with measurement of workpiece contours and inspection of surface features in mind, the TM-500 series supports a wide range of applications from shop-floor inspection, measurement of tools and machined parts, to precision measurement of test tools in a measuring room.

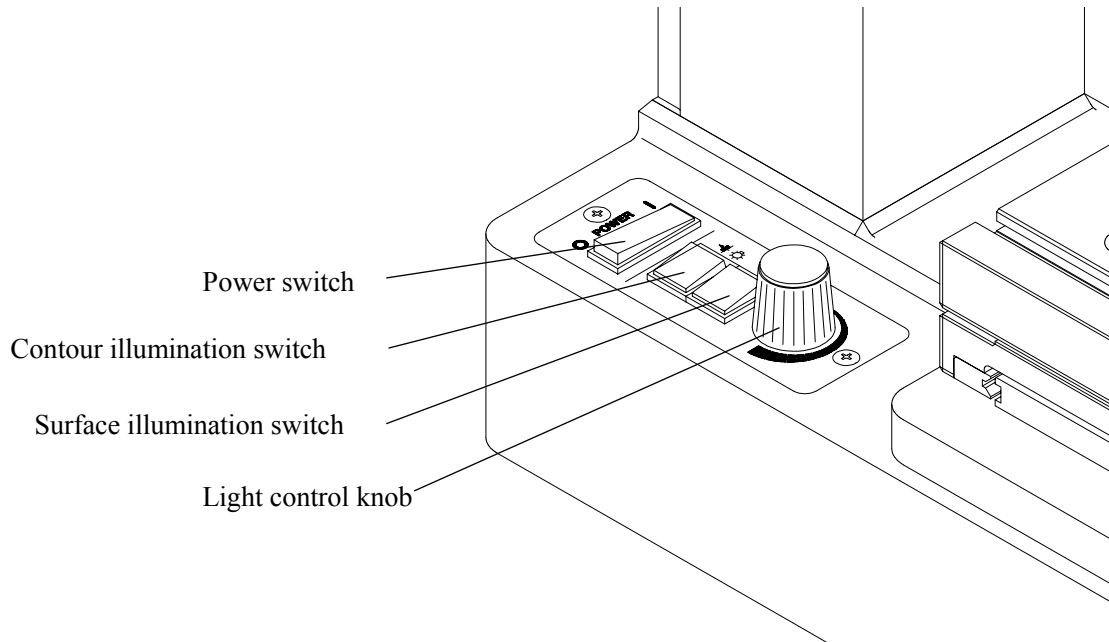
- A long vertical working distance (67mm) and erecting image have improved operability.
- The XY stage is mounted on a compact body to support wide travel ranges (50mm×50mm for TM-505, 100mm×50mm for TM-510) for effective measurement.
- Fine/coarse focusing can be performed with a single focusing knob.
- The angle dial built into the eyepiece portion of the optical tube allows easy angle measurement.

1.2 Name of Each Part

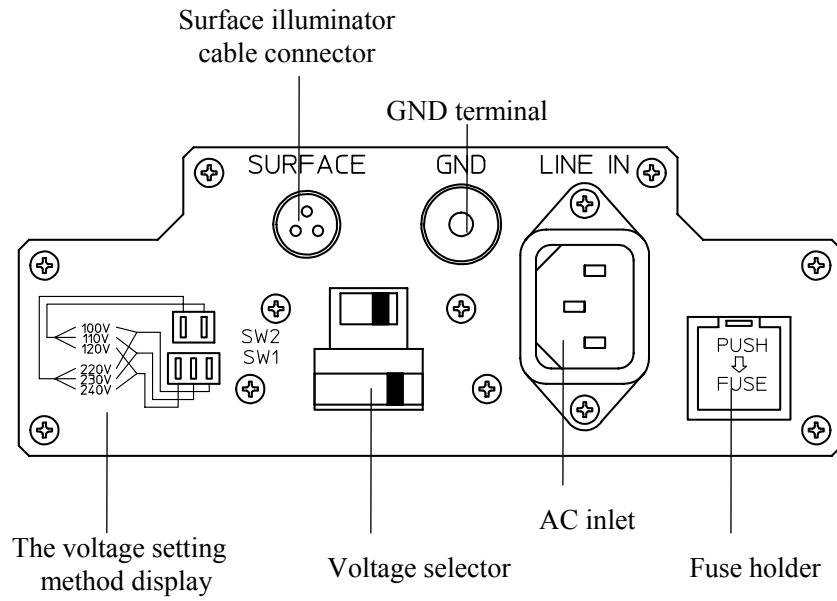


1. Eyepiece
2. Diopter adjustment ring
3. Eyepiece mount
4. Optical tube
5. Surface illuminator
6. Objective
7. XY stage
8. Angle dial
9. Angle dial clamp screw
10. Vernier
11. Vernier clamp screw
12. Focusing knob
13. Control panel
14. Power panel

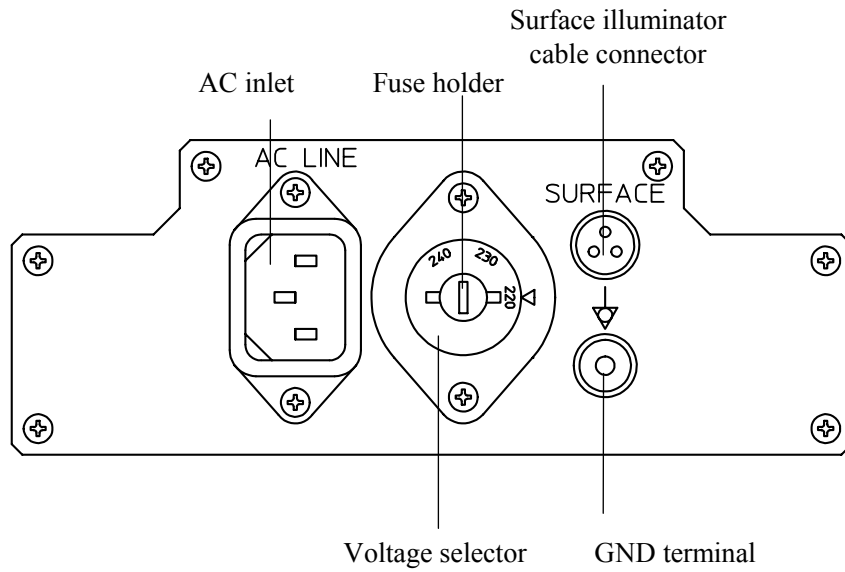
13. Control panel



14. Power panel (for standard model)



Power panel (for CE correspondences)



2

Installation and Setup

This chapter lists the contents of the TM-500 series package and describes the setup and adjustment procedures.

2.1 Package Contents

Standard accessories

Name	TM-505	TM-505R	TM-510	TM-510R
1. Objective (2×) 176-138	1	1	1	1
2. Eyepiece (15×) 176-116	1	1	1	1
3. Lens cap 511187	1	1	1	1
4. Cross-hair line reticle 176-126	1	1	1	1
5. Surface illuminator	1	1	1	1
6. Micrometer Head	—	2	—	2
7. Mounting screw 380597	—	—	2*	2*
8. Reticle setting screw 200624	1	1	1	1
9. Bulb setter 511188	1	1	1	1
10. Allen key nominal 3 538616	1	1	1	1
11. Vinyl cover 512555	1	1	1	1
12. Spare bulb (24V) 383038	1	1	1	1
13. Spare fuse (1A) not CE 350279	1	1	1	1
Spare fuse (1A) for CE 384204	1	1	1	1
14. Power cord	1	1	1	1
15. Grounding wire	1	1	1	1
16. User's Manual	1	1	1	1
17. Warranty	1	1	1	1

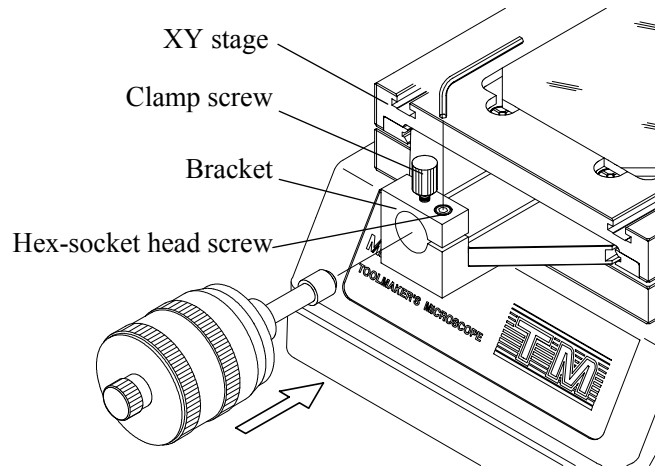
* : Keep the mounting screws in the TM-510/510R package. They are provided to install the optional mounting jigs on the XY stage.

2.2 Installation Site

Install the Measuring Microscope in a place which is free from vibration and dust. Exposing the instrument to vibrations over long periods of time can deteriorate its measuring accuracy. Dust adversely affects the optical parts, the XY stage, and moving parts.

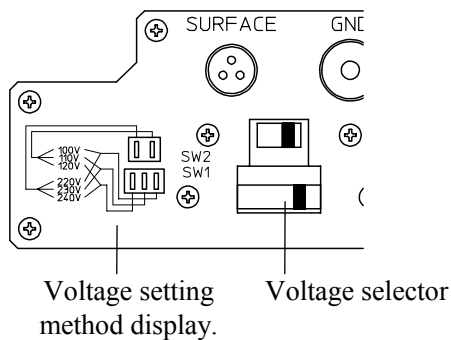
2.3 Setting-up

1. Install the Micrometer Head on the XY stage.
Loosen the hex-socket head screw on the bracket. Fully insert the stem of the Micrometer Head. Then, tighten the hex-socket head screw with the stem in place.

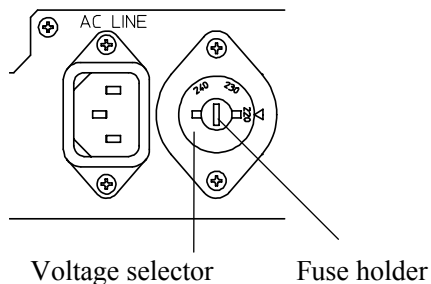


The clamp screw is provided to secure the spindle of the Micrometer Head. If using a Micrometer Head with a fitting hole in the stem, insert the stem so the hole is aligned with the clamp screw. If this puts the scale on the Micrometer head in a poor position for viewing the zero graduation, adjust the scale position by turning the Micrometer Head sleeve. If using a Micrometer Head with no hole to clamp the spindle, lightly tighten the clamp screw.

2. Connect the surface illuminator cable to the connector on the power panel, which is at the back of the Measuring Microscope. Insert the cable firmly into the connector and secure it with the nut.
3. Set the voltage selector plug to the supply voltage as follows.



When the voltage selector on the back panel is as in the upper left figure, the combination of two slide switches on the upper and lower sides performs a voltage setup. Set up the voltage according to the voltage setting method display.



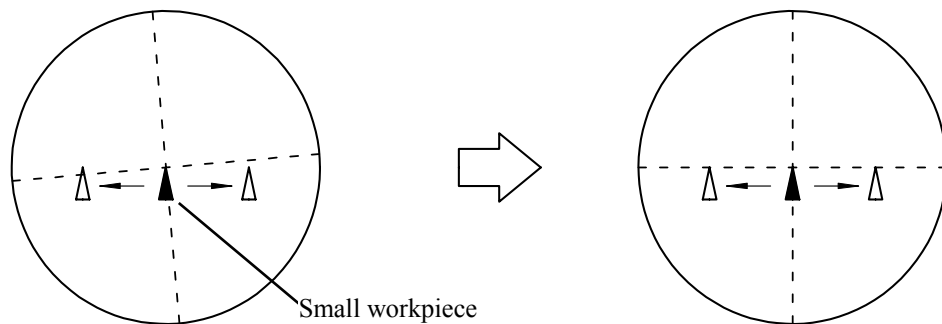
When the voltage selector on the back panel is as in the lower left figure, remove the fuse holder by turning it counterclockwise using a screw driver.

Turn the voltage selector with a coin, etc., and align the rated voltage display with the position of the arrow. Replace the fuse holder as before.

2.4 Checking and Adjustment

2.4.1 Checking the reticle position against the XY stage movement direction

1. Place a small workpiece on the stage glass and bring it into focus.
2. Turn the Micrometer Heads to align an edge of the workpiece with the center of the cross-hair.
3. While turning the Micrometer Head to move the workpiece left and right, turn the angle dial so that the horizontal cross-hair is oriented to coincide with the direction of the stage movement.



4. Loosen the vernier clamp screw. Align the "0" graduation on the angle dial with that of the vernier scale. Ensure the margin is sufficient for adjusting the vernier scale position. If space for adjusting the vernier scale position is limited, re-adjust the vernier scale position by referring to "2.4.3 (1) Adjusting the reticle to the XY stage movement direction".

2.4.2 Checking the centering of the reticle

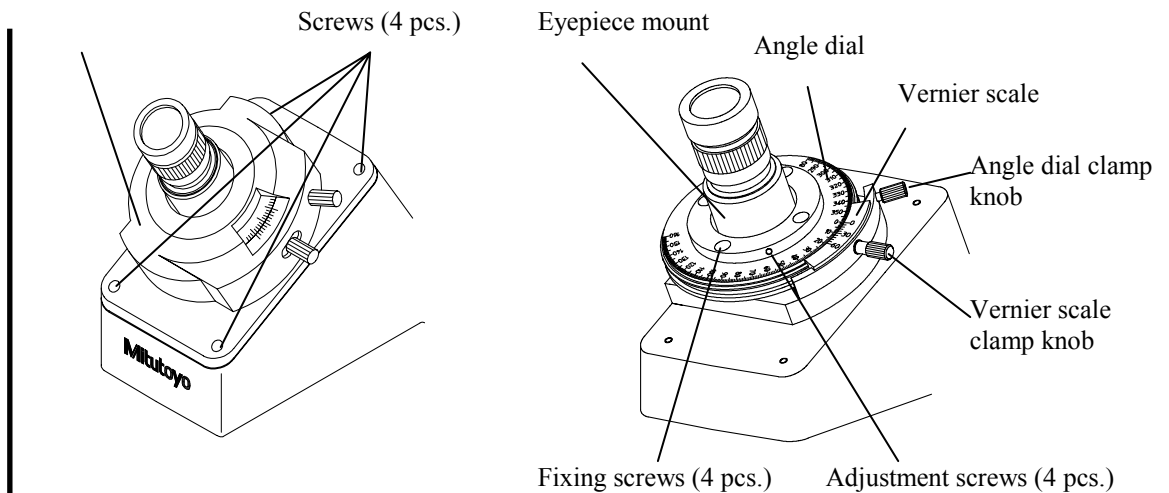
To perform dimensional measurement by turning the angle dial or after replacing the reticle, align the cross-hair with the center of rotation of the angle dial, as follows.

1. Place a small workpiece on the stage glass and bring it into focus.
2. Turn the Micrometer Heads to align an edge of the workpiece with the center of the cross-hair.
3. Turn the angle dial 180° . Make sure the edge of the workpiece remains within $3\mu\text{m}$ of the center of the cross-hair. If it is not within $3\mu\text{m}$, adjust the center of the reticle by referring to "2.4.3 (2) Centering the reticle".



2.4.3 Adjusting the reticle

(1) Adjusting the reticle with the XY stage moving direction



1. Remove the clamp knobs from the angle dial and vernier scale.
2. Remove the four screws from the angle dial cover and remove the cover.
3. Screw-in the clamp knobs on the angle dial and vernier scale.
4. Approximately center the vernier scale in the adjustable range. Then secure it with the clamp knob.
5. Align the "0" graduation of the angle dial with that on the vernier scale. Then, secure the angle dial with the clamp knob.
6. Loosen the adjustment screws and fixing screws (4 pcs. each) so that the eyepiece mount can be moved manually.
7. While looking into the eyepiece, adjust the position of the eyepiece mount so that the horizontal cross-hair is oriented to coincide with the direction of the stage movement.
8. Temporarily secure the eyepiece mount by lightly tightening the fixing screws.
9. Centering the reticle as described in "(2) Centering the reticle" below. Firmly secure the eyepiece mount by fully tightening the fixing screws.
10. Remove the clamp knobs from the angle dial and vernier scale.
11. Replace the angle dial cover and secure it to the optical tube with the four screws.
12. Screw-in the clamp knobs on the angle dial and vernier scale.

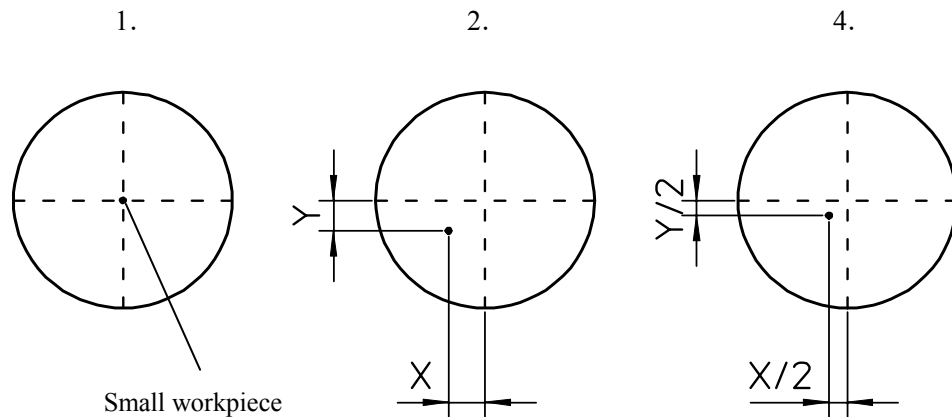
(2) Centering the reticle

1. Place a small workpiece on the stage glass. Turn the Micrometer Heads to align an edge of the workpiece with the center of the cross-hair.
2. Rotate the angle scale disc 180° and read the displacement between the edge of the workpiece and the center of the cross-hair.
3. Remove the four screws from the angle dial cover and dismount it. Slightly loosen the four fixing screws.
4. Adjust the eyepiece mount position with the four adjustment screws to minimize the displacement between the edge of the workpiece and the center of the cross-hair. Centering is easily performed by moving the eyepiece mount by half the displacement in both the X and Y directions.



Two pairs of adjustment screws are located at the opposite sides (for adjusting the X and Y displacements). Adjust the screws in pairs. Loosen one on one side, and then tighten its counterpart on the other side to adjust the displacement.

5. Turn the Micrometer Heads to align an edge of the workpiece with the center of the cross-hair. Rotate the angle dial 180° and check the displacement.
6. Repeat steps 1, 2, 4, 5 until the displacement is within $3\mu\text{m}$.
7. Confirm that the four adjustment screws are fully tightened.
8. Tighten the four fixing screws and replace the angle dial cover.





3

Measurement

This chapter describes the preparations for measurement and the measuring procedures.

3.1 Preparations for Measurement

3.1.1 Precautions for measurement

- Installation site

When selecting an installation site, take vibration, dust and humidity into due consideration. Vibration can affect measuring accuracy. Dust and humidity can impair optical parts, such as the objective and prism, and the XY stage and moving parts.

- Precaution for operation

If focusing, making measurements, or mounting work pieces, take surrounding conditions into account. Be careful not to bump the objective, stage glass, etc.

- Objective and Eyepiece

The supplied objective and eyepiece were finely adjusted before shipment.

To maintain performance and accuracy, handle them with care and do not disassemble. Do not allow the surface of the lens to be scratched or to be exposed to machine oil. If the lens is soiled, clean it as described in “4.1 Dusting and Applying Oil”.

- Stage glass

Since workpieces are mounted on it, the stage glass is likely to be scratched or even severely damaged. Dust the workpiece before placing it on the stage glass. Exercise care so as not to bump the stage glass with the workpiece. Do not slide the workpiece on the stage.

3.1.2 Replacing the lenses

An objective (2x) and an eyepiece (15x) are provided with a total magnification of 30x.



1. The following objectives and eyepieces are available as optional accessories.
 - Eyepiece (10x, 20x)
 - 5x Objective (working distance: 33mm), 10x Objective (working distance: 14mm)
2. To mount the eyepiece, insert it into the eyepiece mount. The objective can be screwed into the optical tube.



Before dismounting the objective, remove the fixture clamping down the surface illuminator from the objective. The fixture is attached to the objective. The O-ring is between the fixture and the objective. Pull down the fixture by gently swinging it back and forth.

3.1.3 Fixing the workpiece

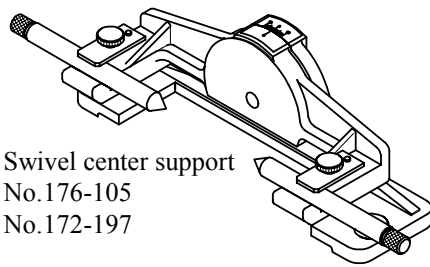


Once the workpiece is mounted, secure it to the stage glass. Use the fixing jigs secured to the T-groove on the XY stage if required.

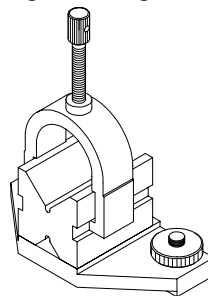
The workpiece must be positioned so that the measuring surface faces the objective.

The following optional fixing jigs are available.

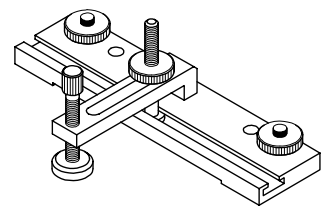
1. Swivel center support (No.176-105 for TM-505/505R, 172-197 for TM-510/510R)
Used to secure cylindrical workpieces (with center hole) and screws.
2. V-block (No.172-378)
Used to mount cylindrical workpieces (without center hole).
3. Holder with clamp (No.176-107)
Used to mount thin flat workpieces.
4. Chart clip (for XY stage) No.990561 (for TM-505/505R)
Used to mount thin flat workpieces (securing to the T-grooves on the XY stage).



Swivel center support
No.176-105
No.172-197



V-block
No.172-378



Holder with clamp
No.176-107

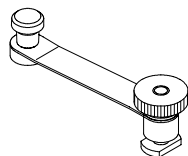


Chart clip (for XY stage)
No.990561

3.1.4 Illumination modes

The TM-500 series supports the following illumination modes. Select appropriate illumination mode according to your application.

(1) Contour illumination

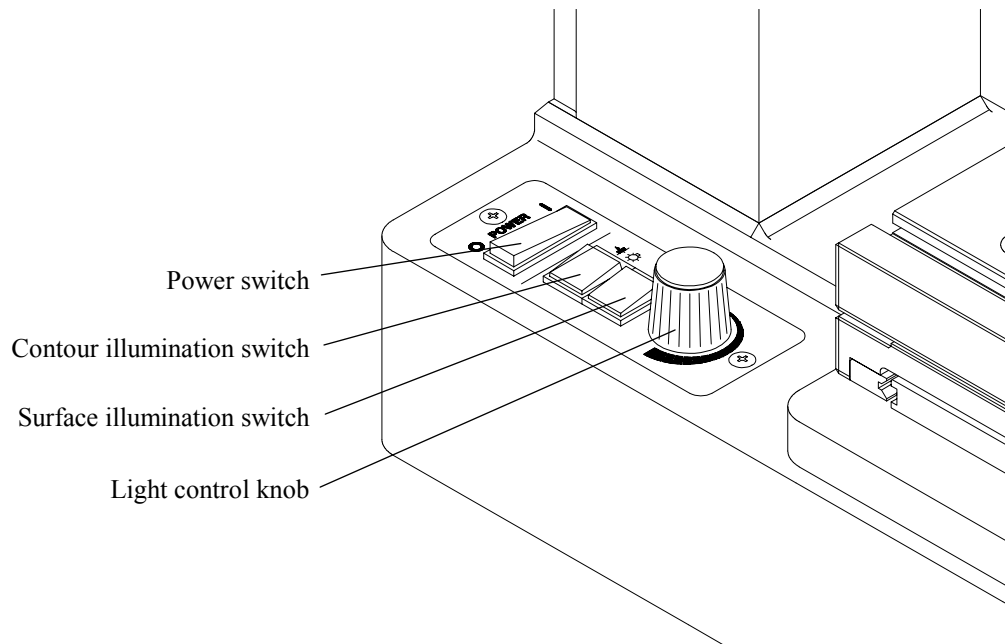
The contour illumination generates the contour image of a workpiece, and is suited for measurement and inspection of workpiece contours. The illuminator is equipped with a green filter.

(2) Surface illumination

Surface illumination shows the surface of a workpiece, and is used in observation and inspection of workpiece surfaces. Adjust the angle and orientation of this illuminator so the workpiece surface can be observed under optimum conditions.

(3) Simultaneous use of contour and surface illuminations

Both the contour and surface of a workpiece can be observed simultaneously.



3.1.5 Replacing reticles

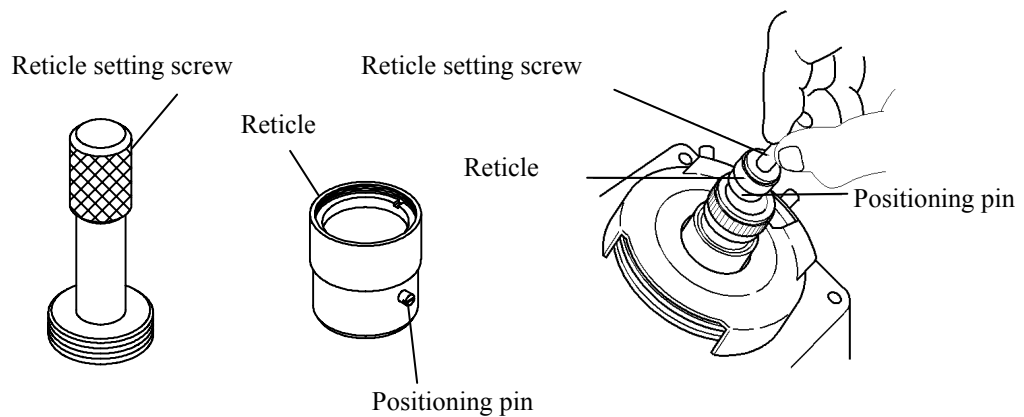
To replace reticles, use the supplied reticle setting screw, as described below.

1. Pull up and remove the eyepiece.
2. Screw the reticle setting screw into the reticle. Pull out the reticle setting screw along with the reticle.
3. Screw the reticle setting screw into the reticle to be mounted. Insert the reticle into the eyepiece mount.



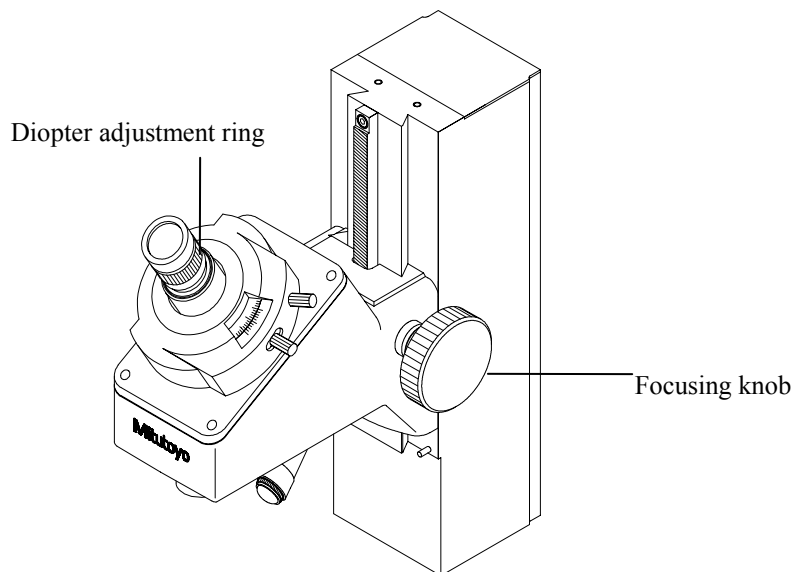
The reticle is provided with a positioning pin. Fit the pin in the groove on the eyepiece mount and insert the eyepiece as far as possible.

4. Remove the reticle setting screw and insert the eyepiece.



3.1.6 Adjusting the diopter

While looking into the eyepiece, turn the diopter adjustment ring until the reticle can be seen sharply.



3.1.7 Bringing the measuring surface into focus

Bring the measuring surface into focus by moving the optical tube up and down with the focusing knob. Look into the eyepiece to make sure the cross-hairs are kept in ocular focus during this focusing operation.



If moving the optical tube, be careful, especially if the workpiece is stepped or is secured with fixing jigs, not to bump the workpiece.

3.1.8 Positioning the workpiece

Align the measuring direction of the workpiece with the traversing direction of the stage.

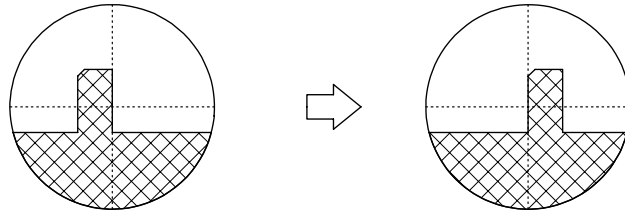
- (1) Follow the procedure in "2.4.3 (1) Adjusting the reticle with the XY stage moving direction".
- (1) Move the workpiece or the fixing jigs to align the measuring direction of the workpiece with the cross-hair reticle.

After making the above adjustment, confirm that the workpiece is parallel with the traveling direction by moving the XY stage.

3.2 Measurement

3.2.1 Dimensional measurement

Align a measuring point on the workpiece with one of the cross-hairs and take the reading from the Micrometer Head. Then, move the XY stage by turning the Micrometer Head and align another measuring point with the same cross-hair and take the reading at this point. The difference between the two readings represents the dimension between the two measuring points.

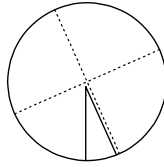
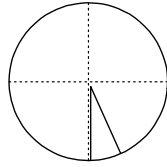


A Digimatic Head and Digital Counter can be used, in place of the Micrometer Head, for digital display of the displacement. They also eliminate reading errors. Since the zero-set button zeroes the counter at any position, the displacement can be read directly.

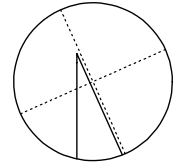
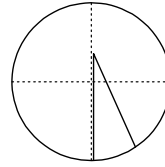
3.2.2 Angle measurement

Angles are measured with the angle dial, using either of the following two procedures.

(1)



(2)

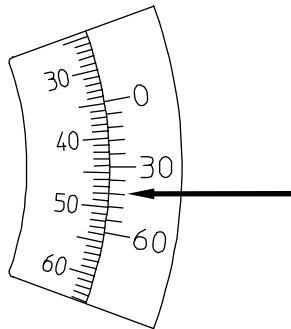


- (1) Align an edge of the workpiece with the cross-hair reticle and align the end edge with the center of the cross-hair. Turn the angle dial to align the cross-hair with the other edge of the workpiece. Take readings from the angle dial.
- (2) Align two edges of the workpiece with the same cross-hair, one after another, by turning the angle dial and moving the XY stage. Take readings from the angle dial.



1. In both procedures, measuring points on the workpiece are aligned with a cross-hair, one after another. The angle is determined from the difference in readings.
2. The resolution of the angle dial is 1° with the main scale and $6'$ with the vernier scale.

<Reading the angle dial>



Main scale: 34°

Vernier scale: $42'$

$34^\circ 42'$



3. The zero position of the angle dial can be adjusted by turning the vernier scale. This allows the angle measurement origin to be set to 0.



CAUTION

After turning the vernier scale, check the reticle position. Refer to "2.4.3 (1) Adjusting the reticle against the XY stage moving direction" if necessary.

3.2.3 Template matching inspection

This Measuring Microscope allows inspection of screw threads and involute gear teeth using the optional template reticles.



To perform template matching inspection, set the appropriate optional template reticle according to the procedure in "3.1.5 Replacing the reticle".

For information about the various template reticles, see "7. Optional Accessories".

3.2.4 Step measurement

Stepped dimensions can be measured using the optional height measurement attachment and a dial indicator.



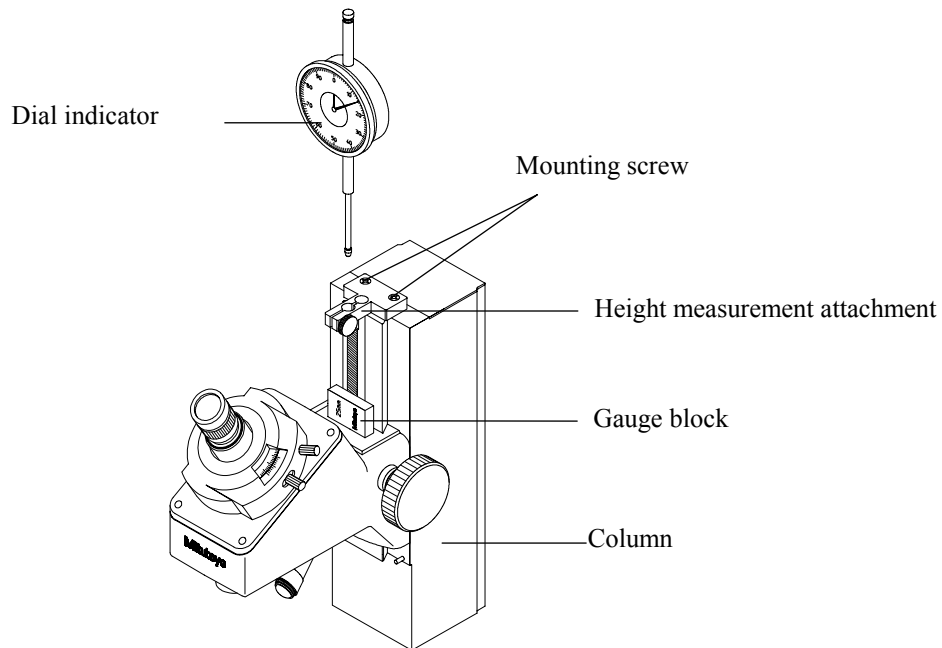
CAUTION

This measurement is performed by bringing the measuring faces in focus. A high-precision measurement cannot be made if using a lens with a large depth of focus. To obtain high-accuracy measurements, use a high-magnification lens with a shallow depth of focus, as shown below.

- 30x lens with a depth of focus of approximate 0.12mm
- 150x lens with a depth of focus of approximate 0.02mm

Attach the height measurement attachment to the top face of the column as shown in the figure below.

Use a gauge block that is appropriate for the optical tube position.



4

Maintenance

This chapter describes the daily and periodical inspection and maintenance required to maintain the performance of this microscope.

4.1 Cleaning and Lubrication

(1) Main unit

Periodically apply a thin layer of grease over the slide guide surfaces and rack of the optical tube using a brush.

(2) XY stage

Apply a thin layer of spindle oil to guide rails. After dusting the stage glass wipe it gently with a soft cloth.

(3) Eyepiece and objective

Since the optical glass used for lenses is soft and subject to scratches, always use an air-blower or a feather to dust the lens surface. To remove contaminants such as oil and fingerprints, gently wipe them in a circular motion with gauze dampened in high-grade alcohol.

4.2 Inspection

To maintain this microscope in prime condition, periodically inspect the parts specified below. If the microscope is not operating perfectly, inspect it in detail according to the procedure in “5. Troubleshooting”.

(1) Connecting parts



DANGER

Turn off the power switch and pull out the power cord from the AC outlet to prevent electric shocks.

- Check the power cord, input connector (AC inlet), voltage selector, GND terminal, surface illuminator connector, and other joints for looseness and poor connections.

(2) Power and illumination switch and light control knob

- Check the power switch
 - Check that the contour and surface illuminators light by turning on the illumination switch.
 - Check that the light intensity of each illuminator changes by turning on the light control knob.
-

(3) Focusing knob

- Check this knob for any abnormal tightness, play, unevenness, and sound.

(4) XY stage

- Check the stage glass for scratches and contaminants.
- Move the XY stage over the measuring range by hand to check for any abnormal tightness, play, unevenness, and sound. (Perform the same check on the stage by turning the micrometer heads.)

(5) Angle dial

- Loosen the angle dial clamp knob and turn the dial to check for any abnormal tightness, play, unevenness, and sound.

(6) Field of view

- Look into the eyepiece under contour illumination and check the entire field of view for vignetting and uneven illumination.

(7) XY stage feeding accuracy

- This inspection will be affected by the measuring environment, alignment error, and other adverse conditions. Keeping these factors in mind, check the feeding accuracy by measuring a workpiece or a standard scale with an appropriate dimension of 5mm.

1. Position a workpiece, for which accurate dimensions are known, on the stage glass and bring it into focus.
2. Align a measuring point on the workpiece with one of the cross-hairs, according to the moving direction of the workpiece.
3. Obtain the dimension from the readings on the Micrometer Head. Refer to “3.2.1 Dimensional measurement”.
4. Measure the X- and Y-axis dimensions of the workpiece.

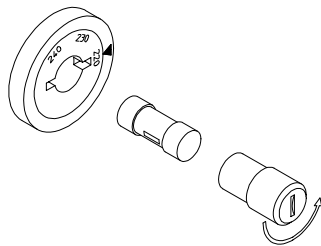
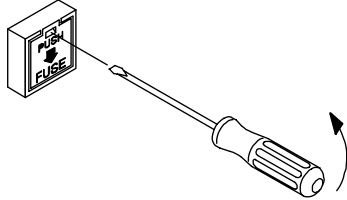
If the difference between the measured and nominal dimensions is less than $5 \mu\text{m}$ (for any 5mm travel range), the XY stage feeding accuracy is adequate.

(8) Resolution

- Position a workpiece on the XY stage and bring it into focus. Check if any region of the image in the field of view has poor resolution.

4.3 Replacing Consumable Parts

(1) Replacing the fuse



When a fuse holder is as in the upper left figure

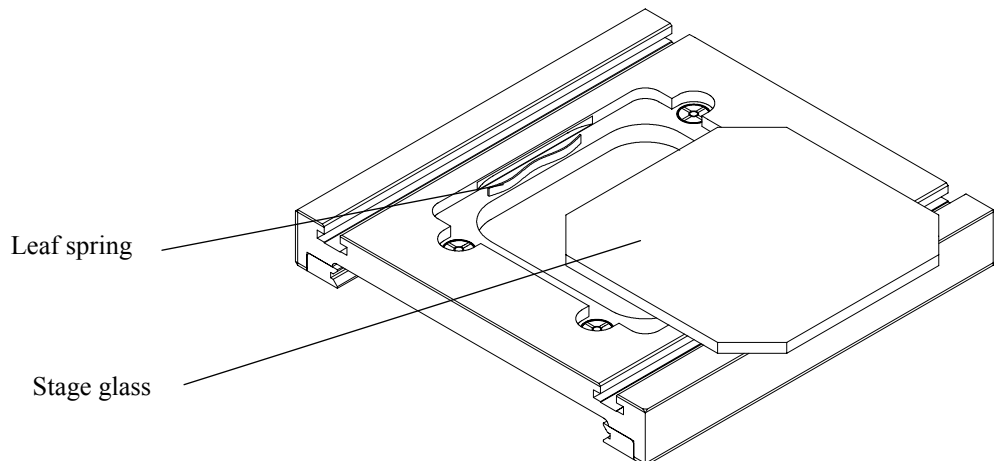
1. Turn off the contour and surface illumination switches and the power switch, and pull out the power cord.
2. Insert a screwdriver in the rectangular hole of the fuse holder and raise the screwdriver grip, then a latch will separate and the fuse holder will come out from the front.
3. Replace the fuse, and replace the fuse holder.

When a fuse holder is as in the lower left figure

1. Turn off the contour and surface illuminator switches and the power switch and pull out the power cord.
2. Insert a screwdriver in the rectangular hole on the fuse holder and turn it counterclockwise, then a latch will separate and a fuse holder will come out from the front.
3. Replace the fuse, and replace the fuse holder.

(2) Replacing the stage glass

1. While pushing the stage glass in the direction of the leaf spring, raise the glass at the front edge, and then remove it.
2. Attach the leaf spring in place and mount new stage glass.



CAUTION

Since the stage glass is pushed forward with the leaf spring, when you remove the stage glass, be careful not to lose the leaf spring.

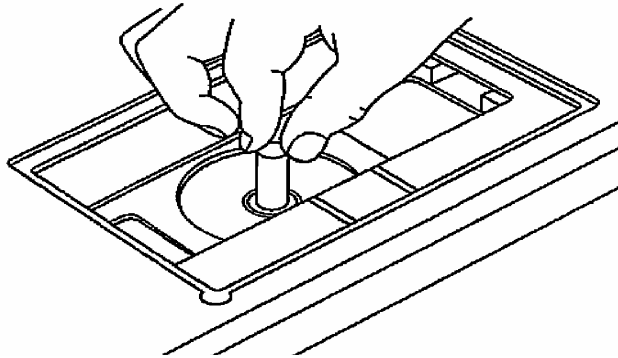
(3) Replacing the contour illumination bulb



CAUTION

The bulb remains hot after it has been turned off. Do not replace the bulb until it has cooled down.

1. Turn off the contour illumination switch and power switch.
2. Remove the stage glass. (See (2) above.)
3. Turn the green filter counterclockwise to remove it.
4. Remove the bulb by turning it counterclockwise with the supplied bulb setter.
5. Mount a new bulb using the bulb setter.
6. Turn on the power switch and contour illumination switch. Check that the bulb lights.
7. Replace the green filter and the stage glass, in this order.



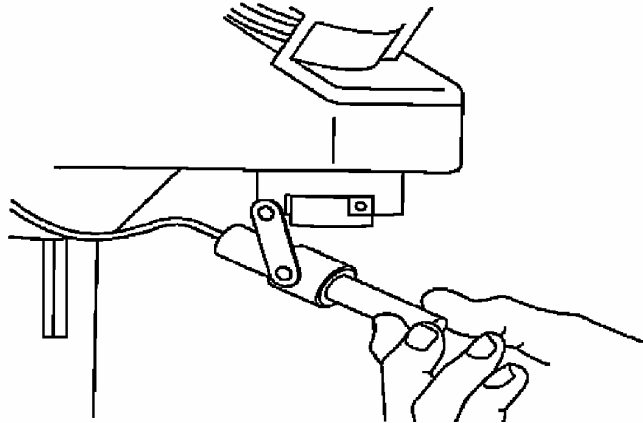
(4) Replacing the surface illumination bulb



CAUTION

The bulb remains hot after it has been turned off. Do not replace the bulb until it has cooled down.

1. Turn off the surface illumination switch and power switch.
2. Turn the white filter counterclockwise to remove it.
3. Remove the bulb by turning it counterclockwise with the supplied bulb setter. Mount a new bulb using the bulb setter.
4. Switch the illuminator select switch knob to the surface illumination.
5. Check that the bulb lights.
6. Turn on the power switch and surface illumination switch. Check that the bulb lights.
7. Replace the white filter.



4.3 Consumable Parts

Order No.	Name
380405	Stage glass 96x96 (for TM-505/505R)
380495	Stage glass 154x96 (for TM-510/510R)
512555	Vinyl cover
383038	Illumination bulb (24V)
350279	Fuse (1A) for other than CE
384204	Fuse (1A) for CE
380240	Leaf spring



5

Troubleshooting

If a problem occurs, diagnose and remedy the problem with the aid of the following procedures.

(1)The contour illumination bulb will not light.

- Check1 : Is the power switch turned on?
YES ↓ No → Turn on the power switch.
- Check2 : Is the contour illumination switch turned on?
YES ↓ No → Turn on the contour illumination switch.
- Check3 : Is the light control knob properly set?
YES ↓ No → Turn the knob clockwise to increase the light intensity (if turned fully counterclockwise).
- Check4 : Is the power cord connected correctly?
YES ↓ No → Connect the power cord correctly.
- Check5 : Is the voltage selector set to the correct voltage?
YES ↓ No → Set the voltage selector to the correct voltage.
- Check6 : Is the bulb normal (conductive)?
YES ↓ No → Replace the bulb.
- Check7 : Is the fuse normal (conductive)?
YES ↓ No → Replace the fuse.
- Check8 : Is the voltage from the AC outlet normal (supplied)?
YES ↓ No → Supply power to the outlet.
- Check9 : Is the voltage at the AC inlet on the main unit normal (input)?
YES ↓ No → Replace the power cord.
Contact Mitutoyo.

(2)The surface illumination bulb will not light.

- Check1 : Is the power switch turned on?
YES ↓ No → Turn on the power switch.
- Check2 : Is the surface illumination switch turned on?
YES ↓ No → Turn on the surface illumination switch.
- Check3 : Is the light control knob properly set?
YES ↓ No → Turn the knob clockwise to increase the light intensity (if turned fully counterclockwise).
- Check4 : Is the power cord connected correctly?
YES ↓ No → Connect the power cord correctly.
- Check5 : Is the voltage selector set to the correct voltage?
YES ↓ No → Set the voltage selector to the correct voltage.
- Check6 : Is the bulb normal (conductive)?
YES ↓ No → Replace the bulb.
- Check7 : Is the fuse normal (conductive)?
YES ↓ No → Replace the fuse.
- Check8 : Is the voltage from the AC outlet normal (supplied)?
YES ↓ No → Supply power to the outlet.
- Check9 : Is the voltage at the AC inlet on the main unit normal (input)?
YES ↓ No → Replace the power cord.
Contact Mitutoyo.

(3)The light intensity of contour illumination cannot be adjusted (if the contour illumination switch is turn on).



- Check : Is the contour illumination bulb lit?
YES ↓ No → Refer to "(1) The contour illumination bulb will not light".
Contact Mitutoyo.



(4)The light intensity of surface illumination cannot be adjusted (if the surface illumination switch is turn on).

Check: Is the surface illumination bulb lit?
YES ↓ No → Refer to "(2) The surface illumination bulb will not light".
Contact Mitutoyo.

(5)The optical tube will not move up and down properly.

If there is any abnormal tightness, play, unevenness, or sound when the optical tube is moved, contact Mitutoyo. Should this be the case, do not continue to move the optical tube or disassemble it.

(6)The angle dial will not rotate properly.

If there is any abnormal tightness, play, unevenness, or sound when the optical tube is moved, contact Mitutoyo. Should this be the case, do not continue to move the optical tube or disassemble it.

(7)The XY stage will not properly be fed.

If there is any abnormal tightness, play, unevenness, or sound when the XY stage is fed, contact Mitutoyo. Should this be the case, do not continue to feed the XY stage or disassemble it. If the feeding accuracy has deteriorated, determine whether the stage or the Micrometer Head is the problem and contact Mitutoyo.

(8)There is a shadow in the field of view.

Check for:

- Obstruction between the contour illumination bulb and the objective .
- Contaminated reticle.
- Contaminated objective or eyepiece.

If the problem cannot be rectified, contact Mitutoyo.

(9)The resolution in a region of the field of view is poor.

Check for:

- Poor focusing (because of a stepped workpiece).
- Oil soiling the workpiece.
- Improperly mounted objective or eyepiece.
- Contaminated or damaged (such as scratch) objective or eyepiece.
- Contaminated or damaged (such as scratch) reticle.

If the problem cannot be rectified, contact Mitutoyo.



6

Specifications

(1)Optical tube

- Optical axis:30° from vertical
- Cross-hair reticule supplied
- Adjustable diopter
- Angle dial: Graduation 1°
Angle of rotation 360°
Angle reading 6' (vernier)
Vernier zero position adjustable

(2)Eyepiece

- Magnification :15×
- Field number :13

(3)Objective

- Magnification :2×
- Working distance :67mm (2.63")

(4)XY stage

Order No.	TM-505/TM-505R	TM-510/TM-510R
Dimensions	152×152mm	240×152mm
Stage glass size	96×96mm	154×96mm
Feeding range (if used with gauge block)	50×50mm	100×50mm
Maximum height	115mm	107mm
workpiece	5Kg	5Kg

(5)Transmitted illuminator

- Light source :24V, 2W (special bulb)
- Continuously adjustable light intensity
- Green filter supplied

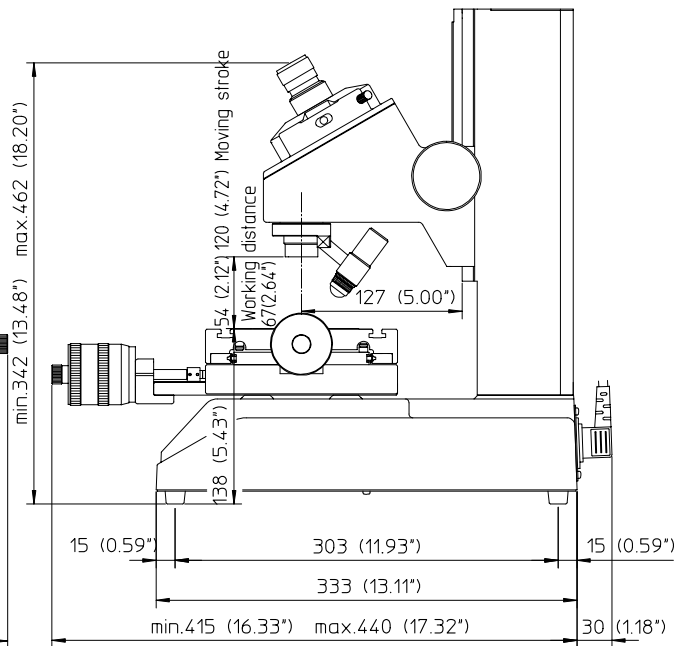
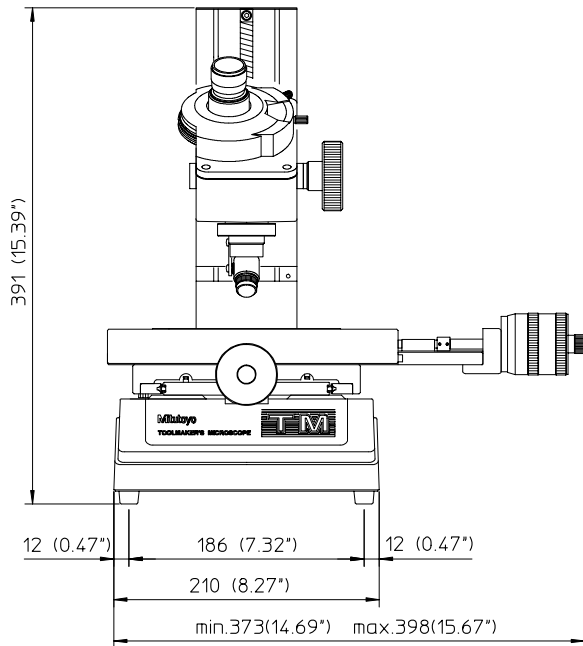
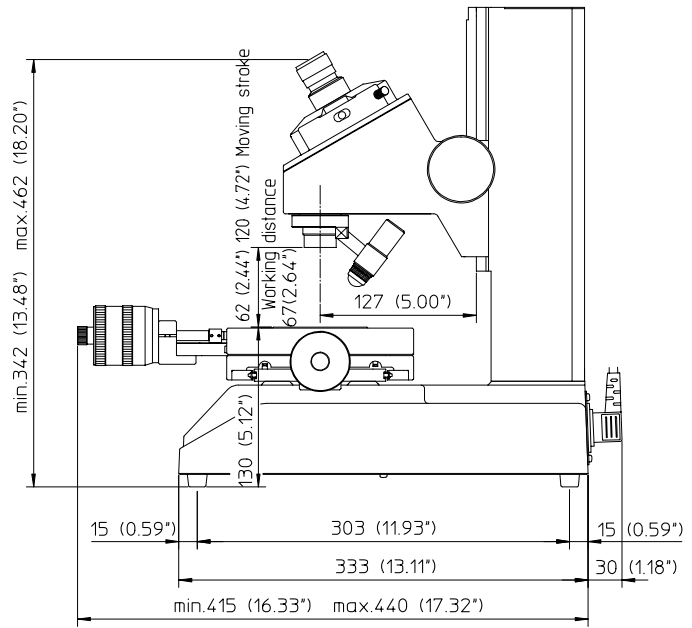
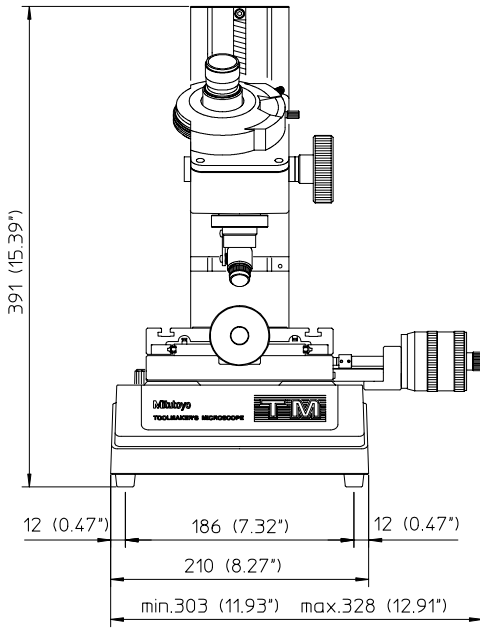
(6)Surface illuminator

- Light source : 24V, 2W (special bulb)
- Continuously adjustable light intensity

(7)Mass

TM-505	TM-505R	TM-510	TM-510R
13.5Kg	14.0Kg	14.5Kg	15.0Kg

(8)Main unit dimensions





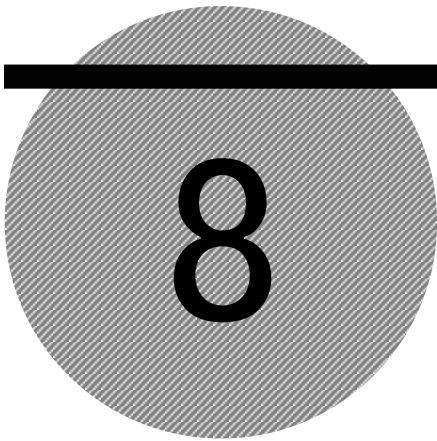
Optional Accessories

Order No.	Name
176-105	Swivel-center support (for TM-505/TM-505R)
172-197	Swivel-center support (for TM-510/TM-510R)
176-106	Rotary table (for TM-505/TM-505R)
172-196	Rotary table (for TM-510/TM-510R)
176-107	Holder with clamp
172-378	V-block with clamp
176-203	Twin-bulb surface illumination unit
176-204	Height measurement attachment
176-115	Eyepiece 10×
176-117	Eyepiece 20×
176-137	Objective 10×
176-139	Objective 5×
176-109	Reticle (Template) Metric screw p=0.25~1.0
176-110	Reticle (Template) Metric screw p=1.25~2.0
176-111	Reticle (Template) Concentric circles ϕ 0.05~4.00mm
176-112	Reticle (Template) Involute gear tooth m0.1~1.0, pressure angle 20° reference rack
176-113	Reticle (Template) 55° angle line
176-114	Reticle (Template) 60° angle line
176-120	Reticle (Template) Whiworth screw thread (inch) 60~26TPI
176-121	Reticle (Template) Whiworth screw thread (inch) 24~18TPI
176-122	Reticle (Template) Whiworth screw thread (inch) 16~11TPI
176-123	Reticle (Template) Unified screw thread 80~28TPI
176-124	Reticle (Template) Unified screw thread 24~14TPI
176-125	Reticle (Template) Unified screw thread 13~10TPI

176-127		Reticle (Template) Unified screw thread NF80~28TPI
176-128		Reticle (Template) Unified screw thread NF24~14TPI
176-129		Reticle (Template) Unified screw thread NF13~10TPI
176-130		Reticle (Template) Involute gear tooth m0.1~1.0 pressure 14° 30' , reference rack
176-135		Reticle (Template) Concentric circles $\phi .01''$ pitch, maximum diameter $\phi .2''$
176-140		Reticle (Template) ISO metric screw thread p=0.075~0.7
176-141		Reticle (Template) ISO metric screw thread p=0.75~2.0
176-142		Reticle (Template) ISO unified screw thread 80~28TPI
176-143		Reticle (Template) ISO unified screw thread 24~14TPI
176-144		Reticle (Template) ISO unified screw thread 13~10TPI
990561		Chart clip (for XY stage)
176-366※		Fiber-optic circular illumination unit
176-344※		Twin fiber optics illumination unit, twin fiber-optic illuminator
264-140※	△	2D data processing unit QM-Data200
164-161	▲	Digimatic micrometer head MHD-50M
164-162		Digimatic micrometer head MHD-2" M
937387	▲	Connecting cable (1m): connect between MHD-50M and MUX-10F
965013	▲	Connecting cable (2m): connect between MHD-50M and MUX-10F
264-002	▲	MUX-10F
12AAD194	▲	Connecting cable C: connect between MUX-10F and QM-Data200

※: The order number differs depending on the shipping destination.

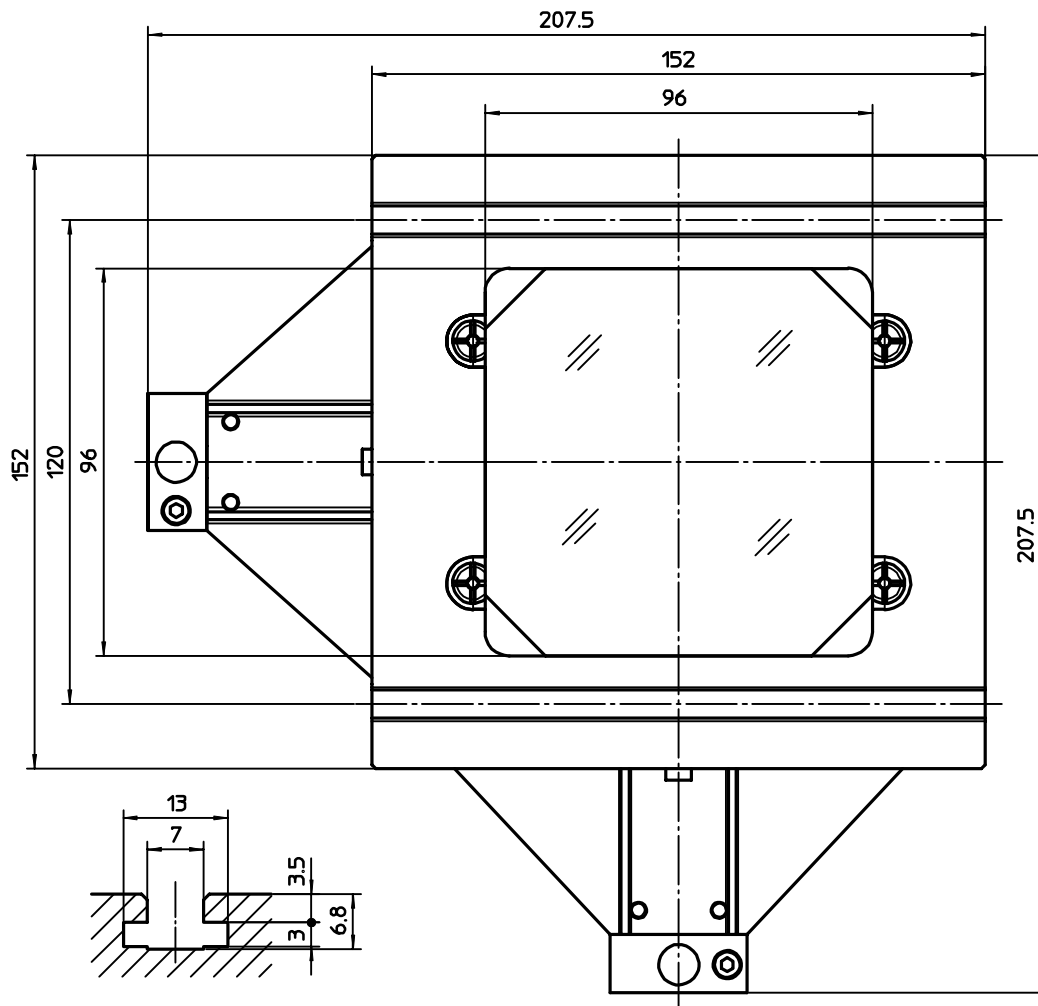
△: When using QM-Data200 it also requires MDH-50M (2 units), connecting cables (2 pcs of either length), MUX-10F and connecting cable C.



Reference Diagrams

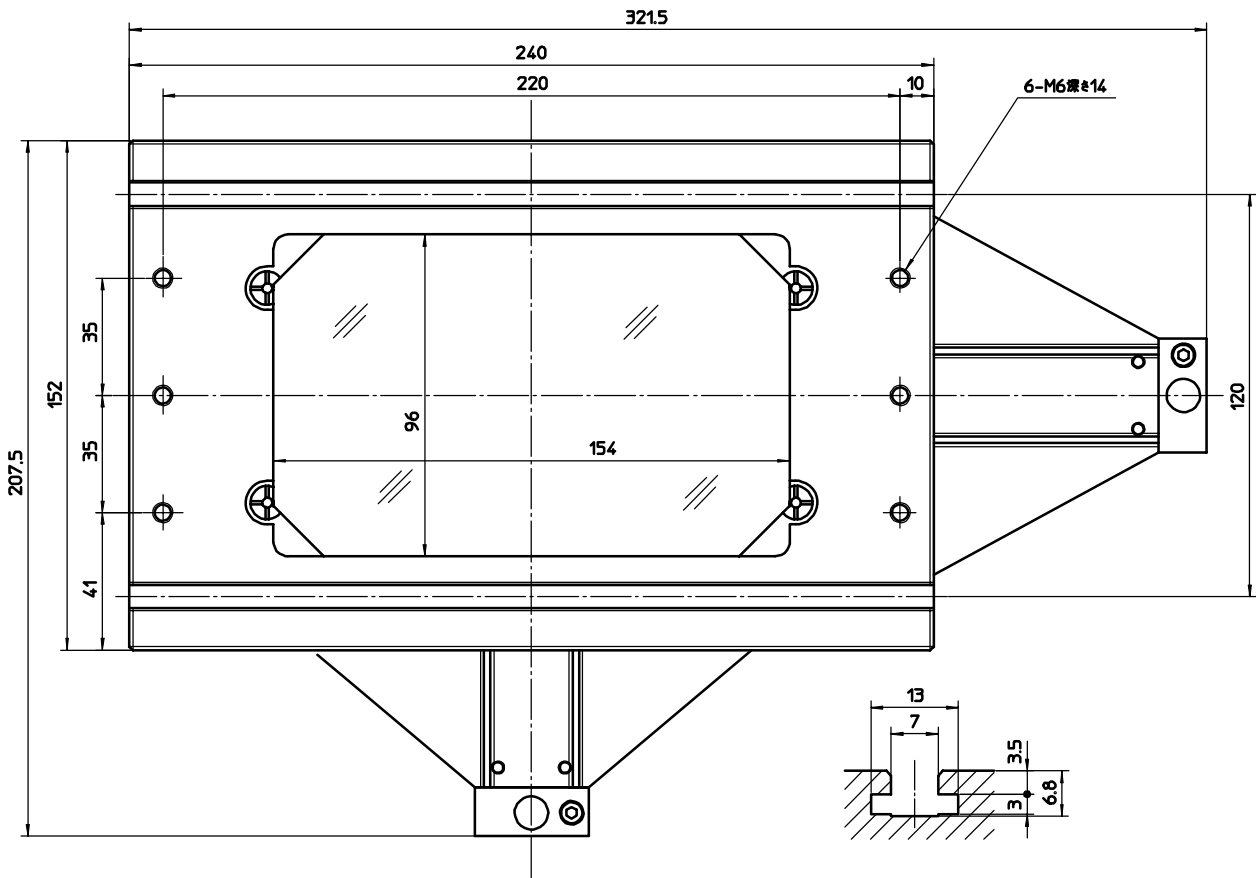
Top view of XY stage

TM-505/505R



Detail drawing of T-groove

TM-510/510R



Detail drawing of T-groove