

No.99MBA120A4

SERIES No.378

# **Power Revolver** **(Bright/Dark field)**

**For**  
**Microscope Unit**  
**WIDE VMU**

## **User's Manual**

**Read this User's Manual thoroughly  
before operating the instrument. After reading,  
retain it close at hand for future reference.**

**Mitutoyo**



---

# CONVENTIONS USED IN THIS MANUAL

---

## Safety Precautions

To ensure that instruments are operated correctly and safely, Mitutoyo manuals use various safety symbols (Signal Words and Safety Alert Symbols) to identify and warn against hazards and potential accidents.

The following symbols indicate **general** warnings:



---

Indicates an imminently hazardous situation which, if not avoided, will result in serious injury or death.

---



---

Indicates a potentially hazardous situation which, if not avoided, could result in serious injury or death.

---



---

Indicates a potentially hazardous situation which, if not avoided, may result in minor or moderate injury or property damage.

---

The following safety signs indicate **specific** warnings or prohibited actions, or indicate a mandatory action:



Alerts the user to a specific hazardous situation. The given example means “To warn of electricity”.

---



Prohibits a specific action. The given example means “Do not touch”.

---



Specifies a mandatory action. The given example means “Connect an earth to the ground”.

---

---

# CONVENTIONS USED IN THIS MANUAL

---

## Types of Notes

The following types of **notes** are used in this manual to help the operator obtain reliable measurement data through correct instrument operation.

---

**IMPORTANT** An *important note* provides information essential to use the product. You cannot disregard this note.

An *important note* is a type of precaution, which if neglected could result in degraded performance or accuracy, or instrument malfunction/failure.

---

---

**NOTE** A *note* provides information to be especially noted or supplemented to use the product. A *note* also supplies information to be noted for specific operations (e.g., memory limitation, instrument configuration, or details that apply to specific versions of a program).

---

---

**TIP** A *tip* is a type of note that helps the user to apply the operation method and procedures to his or her specific conditions.

A *tip* also indicates the reference destination if there is information to be referred to.

---

The specifications and information in this manual are subject to change without notice.

Copyright © 2014 Mitutoyo Corporation. All rights reserved.

---

# Labels on Product


---

## Product Safety Labels

This measuring instrument has been designed and manufactured with human safety taken as a major consideration. Additionally, in order to use it more safely, Product Safety Labels have been applied to the main unit and all peripheral devices. This section describes the label application places and warning information at each place.

Before operating the measuring instrument, be sure to carefully read this section to use it safely for an extended period of service life.

### <Product Safety Labels>

※		<p>Warning; Crushing of Hands (Prevents the operator from the risk of injury due to pinched fingers.)</p> <p>Do not insert your fingers or hand between the rotating revolver and the WIDE VMU (Video Microscope Unit).</p> <p>Otherwise, a personal injury may result.</p>
---	---	---

※ For details about where this product safety label is stuck, see Section 2.5.

---

# Electromagnetic Compatibility (EMC)

---

This product complies with the EMC Directive and the UK Electromagnetic Compatibility Regulations; however, if this receives electromagnetic interference that exceeds these requirements, it will be out of warranty and require appropriate measures.

This product is an industrial product, and is not intended to be used in residential environment. If this product is used in residential environment, this product may cause electromagnetic interference with other instruments. In such a case, it is required to take appropriate measures for preventing such electromagnetic interference.

---

## Precautions for Use

---

- **This system is a precision machine.**

Exercise great care when handling this system. Never bump or apply excessive force to all of its system components during operation.

- **Rectify installation environments.**

- Close to 20°C in ambient temperature.
- Free of extreme humidity.
- Free of dust and dirt.
- Free of vibration.

- **Turn off the power before connection and maintenance works.**

To prevent accidents or electric shock caused by system malfunction during connection or maintenance works, be sure to turn off the power before conducting connection or maintenance works.

- **Power supply**

Observe the following precautions regarding the power supply.

- The power supply specification of this machine

Pollution Degree : 2

Overvoltage Category : II

Class of equipment : Class I equipment

- If the system is subjected to a short-term power interruption, the system may restore itself to the power-on state. Before operating the system again, confirm the safety of the system and its surroundings.

- **Confirm the input voltage before turning the power switch on**

For the input voltage of this system of “100V~240V” is applied to this system. Connect the power plug with the plug socket after checking that the rated voltage of the system corresponds to the voltage of the plug socket.

- **Power cord**

Use only the power cord supplied for this system.

---

- **Disassembly prohibition**

Disassembling any of the components / parts of this unit will damage its performance and may result in electric shock, injury or malfunction.

Never disassemble any of the components / parts of this unit other than components / parts specifically foretold for adjustment.

---

**Important**

This instrument consists of precision components, and its performance cannot be guaranteed, even within the warranty period, if it is disassembled by the user.

All equipment failures that occur after user disassembly will be repaired on a fee-for-service basis.

---

- **Danger prevention**

For danger prevention, do not use the system in any place where volatile gases could be generated.

- **Maintenance**

Gently wipe the system components on lint-free and soft cloth. If it is still dirtied, wipe it on cloth containing neutral detergent and then wipe it lightly on dry cloth or cloth well-wrung after soaked in water. Do not use organic solvent such as thinner or benzine.

- **Take special shielding measures when using the machine in the following locations:**

- Where noise caused by static electricity is generated.
- Near strong electric fields.
- Where power source lines pass nearby.
- Where there is a risk of radioactivity.
- Where the system components could be subject to corrosive gas.

---

# Installation Environments

---

## Temperature

This measuring system has been assembled and adjusted in the temperature-controlled room at 20°C. To use the measuring system at the rated measuring accuracy in the specification, the temperature at the installation site should be close to 20°C with minimum temperature fluctuation. (The ideal temperature is standard temperature condition level 1, 20°C ± 1°C, that is specified as “Standard Condition of Precision Measurement Environments” in JMAS5011.) Also, the temperature gradient should be 2°C as reference for 8 hours. If this temperature environment is worse than the above condition, the measuring system may not meet the specified measuring accuracy. Even if the specified accuracy is temporarily obtained by adjustment, uncertain measurements will be displayed at 20°C.

## Humidity

Humidity does not affect the accuracy of the measuring system directly. High environmental humidity may corrode important machined surfaces and may adversely affect electronic parts. The environmental humidity should be maintained within a range of 55 % to 65%.

## Dust and dirt

The measuring system consists of high-precision parts including guide ways, linear scale units and optical units that must be kept free of dust and dirt. Use the system in a site free of dust and dirt.

---

# System Environments

---

<b>Place</b>	The indoor use
<b>Operating altitude</b>	2000m or less
<b>Operating temperature range</b>	5 to 40°C
<b>Operating humidity range</b>	20 to 80%RH (with no condensation)

---

# Preservation environments

---

<b>Storage temperature range</b>	-10 to 50°C
<b>Storage humidity range</b>	5 to 80%RH (with no condensation)



---

## Warranty

---

In the event that this product should prove defective in workmanship or material, within one year from the date of original purchase for use, it will be repaired or replaced, at Mitutoyo's option, free of charge upon its prepaid return to Mitutoyo, without prejudice to the provisions of the Mitutoyo Software End User License Agreement.

If this product fails or is damaged for any of the following reasons, it will be subject to a repair charge, even if it is still under warranty.

- (a) Failure or damage owing to fair wear and tear.
- (b) Failure or damage owing to inappropriate handling, maintenance or repair, or to unauthorized modification.
- (c) Failure or damage owing to transport, dropping, or relocation of the instrument after purchase.
- (d) Failure or damage owing to fire, salt, gas, abnormal voltage, lightning surge, or natural disaster.
- (e) Failure or damage owing to use in combination with hardware or software other than those designated or permitted by Mitutoyo.
- (f) Failure or damage owing to use in ultra-hazardous activities.

This warranty is effective only where the instrument is properly installed and operated in conformance with the instructions in this manual within the original country of the installation.

**EXCEPT AS SPECIFIED IN THIS WARRANTY, ALL EXPRESS OR IMPLIED CONDITIONS, REPRESENTATIONS, AND WARRANTIES OF ANY NATURE WHATSOEVER INCLUDING, WITHOUT LIMITATION, ANY IMPLIED WARRANTY OF MERCHANTABILITY, FITNESS FOR A PARTICULAR PURPOSE, NONINFRINGEMENT OR WARRANTY ARISING FROM A COURSE OF DEALING, USAGE, OR TRADE PRACTICE, ARE HEREBY EXCLUDED TO THE MAXIMUM EXTENT ALLOWED BY APPLICABLE LAW.**

You assume all responsibility for all results arising out of its selection of this product to achieve its intended results.

---

## Disclaimer

---

**IN NO EVENT WILL MITUTOYO, ITS AFFILIATED AND RELATED COMPANIES AND SUPPLIERS BE LIABLE FOR ANY LOST REVENUE, PROFIT, OR DATA, OR FOR SPECIAL, DIRECT, INDIRECT, CONSEQUENTIAL, INCIDENTAL, OR PUNITIVE DAMAGES HOWEVER CAUSED AND REGARDLESS OF THE THEORY OF LIABILITY ARISING OUT OF THE USE OF OR INABILITY TO USE THIS PRODUCT EVEN IF MITUTOYO OR ITS AFFILIATED AND RELATED COMPANIES AND/OR SUPPLIERS HAVE BEEN ADVISED OF THE POSSIBILITY OF SUCH DAMAGES.**

If, notwithstanding the foregoing, Mitutoyo is found to be liable to you for any damage or loss which arises out of or is in any way connected with use of this product by you, in no event shall Mitutoyo's and/or its affiliated and related companies' and suppliers' liability to you, whether in contract, tort (including negligence), or otherwise, exceed the price paid by you for the product only.

The foregoing limitations shall apply even if the above-stated warranty fails of its essential purpose.

**BECAUSE SOME COUNTRIES, STATES OR JURISDICTIONS DO NOT ALLOW THE EXCLUSION OR THE LIMITATION OF LIABILITY FOR CONSEQUENTIAL OR INCIDENTAL DAMAGES, IN SUCH COUNTRIES, STATES OR JURISDICTIONS, MITUTOYO'S LIABILITY SHALL BE LIMITED TO THE EXTENT PERMITTED BY LAW.**

---

## Export Control Compliance

---

This product falls into the Catch-All-Controlled Goods and/or Catch-All-Controlled Technologies (including Programs) under Category 16 of Appended Table 1 of Export Trade Control Order or under Category 16 of Appended Table of Foreign Exchange Control Order, based on Foreign Exchange and Foreign Trade Act of Japan.

If you intend re-export of the product from a country other than Japan, re-sale of the product in a country other than Japan, or re-providing of the technology (including Programs), you shall observe the regulations of your country.

Also, if an option is added or modified to add a function to this product, this product may fall under the category of List-Control Goods, List-Control Technology (including Programs) under Category 1 – 15 of Appended Table 1 of Export Trade Control Order or under Category 1 - 15 of Appended Table of Foreign Exchange Control Order, based on Foreign Exchange and Foreign Trade Act of Japan. In that case, if you intend re-export of the product from a country other than Japan, re-sale of the product in a country other than Japan, or re-providing of the technology (including Programs), you shall observe the regulations of your country. Please contact Mitutoyo in advance.

---

## Notes on Export to European Countries

---

When you intend exporting of this product to any of the European countries, it may be required to provide User's Manual(s) in English and Declaration of Conformity in English. For detailed information, please contact Mitutoyo in advance.

---

## Disposal of Products outside the European Union and Other European Countries

---

Please follow the official instruction in each community and country.

---

## Disposal of Old Electrical & Electronic Equipment (Applicable in the European Countries with Separate Collection Systems)

---



This symbol on the product or on its packaging is based on WEEE Directive (Directive on Waste Electrical and Electronic Equipment), and this symbol indicates that this product shall not be treated as household waste.

To reduce the environmental impact and minimize the volume of landfills, please cooperate in reuse and recycle.

For how to dispose of the product, please contact your dealer or the nearest Mitutoyo sales office.

---

# Contents

---

CONVENTIONS USED IN THIS MANUAL .....	i
Labels on Product .....	iii
Electromagnetic Compatibility (EMC) .....	iii
Precautions for Use .....	iv
Installation Environments .....	vi
System Environments .....	vi
Preservation environments .....	vi
Warranty.....	vii
Disclaimer.....	viii
Export Control Compliance .....	ix
Notes on Export to European Countries .....	ix
Disposal of Products outside the European Union and Other European Countries .....	ix
Disposal of Old Electrical & Electronic Equipment (Applicable in the European Countries with Separate Collection Systems) .....	ix
<b>1 Overview.....</b>	<b>1-1</b>
1.1 Outline .....	1-1
1.2 System Configuration .....	1-1
1.3 Name and Function of Each Part .....	1-2
1.3.1 System appearance .....	1-2
1.3.2 Revolver unit .....	1-2
1.3.3 Control box .....	1-3
<b>2 Installation.....</b>	<b>2-1</b>
2.1 Unpacking and Checking.....	2-1
2.2 Notes on mounting the revolver to instrument .....	2-2
2.3 Mounting the Revolver.....	2-3
2.4 Mounting the objective .....	2-4
2.5 Sticking Precaution Labels.....	2-5
2.6 Setting-up the Power Supply.....	2-6
2.7 Connecting Each Part .....	2-7
2.8 Labeling the Position ID Seals .....	2-8
<b>3 Operating Procedure.....</b>	<b>3-1</b>
3.1 Operation from the Control Box.....	3-1
3.2 Operation from a Personal Computer .....	3-1

---

<b>4</b>	<b>Troubleshooting .....</b>	<b>4-1</b>
4.1	Troubleshooting and Remedies.....	4-1
4.2	Error Messages and Remedies .....	4-3
<b>5</b>	<b>Specifications .....</b>	<b>5-1</b>
5.1	Revolver unit.....	5-1
5.2	Control Box.....	5-1
5.3	Accessories .....	5-2
5.4	CE marking / UKCA marking .....	5-2
5.5	Specification for Connecting a Personal Computer .....	5-3
5.5.1	RS-232C communication protocol.....	5-3
5.5.2	RS-232C connector.....	5-3
5.5.3	Connection of RS-232C cable .....	5-4
5.5.4	Setup of DIP switches .....	5-5
5.5.5	RS-232C communication specification .....	5-8
5.6	External Dimensions .....	5-11
5.6.1	Revolver unit .....	5-11
5.6.2	Console box .....	5-11

**Service Network**

---

MEMO

# 1

## Overview

This chapter describes the configuration of the bright/dark-field power revolver that is adapted to Mitutoyo video microscope unit “WIDE VMU Series”. This chapter also describes component names and functions of the revolver.

### 1.1 Outline

The bright/dark-field power revolver is a unit for electrically switching the objectives by installing in the microscope unit WIDE VMU series which has been incorporated in machine equipment.

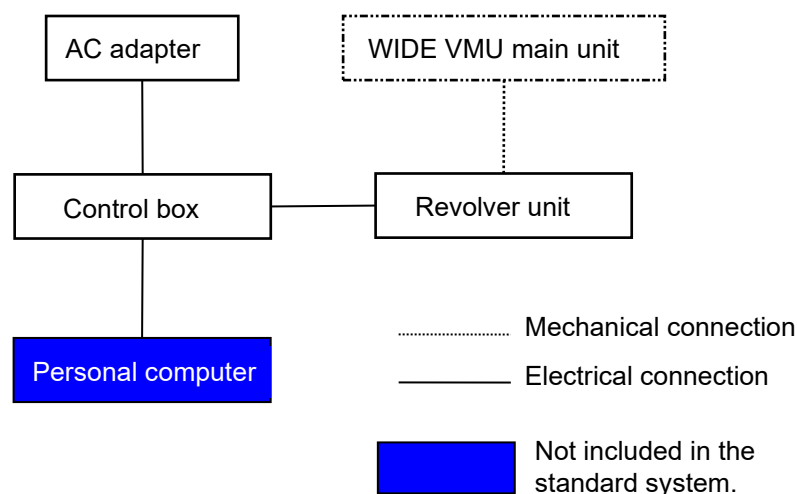
This revolver allows the objectives to be switched without touching directly by hand, and thus makes them free from contamination.

Also, if a personal computer is connected to the WIDE VMU system, the computer can switch the objectives externally. This enables automation of observing and laser-machining a workpiece.

**NOTE** To use this product safely, be sure to first read “Safety Precautions” and “Precautions for Use” described before, and observe those precautions.

### 1.2 System Configuration

The Power Revolver consists of the revolver unit, control box, and AC adapter.



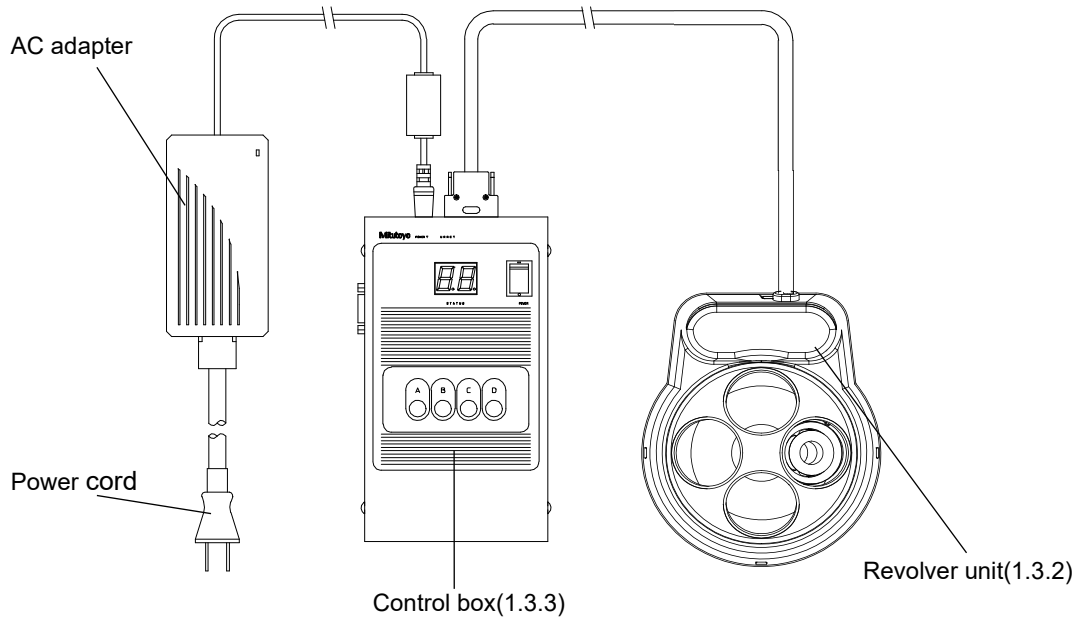
---

## 1.3 Name and Function of Each Part

---

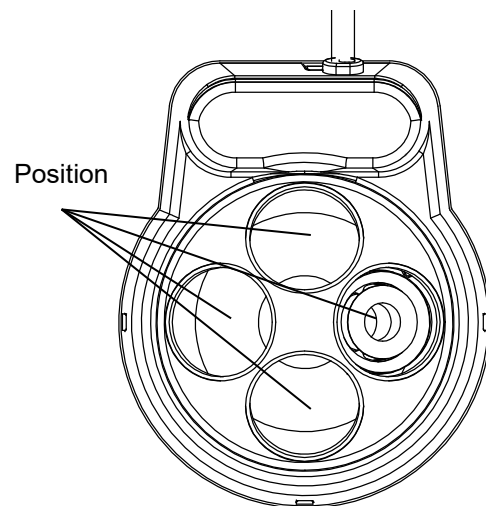
This section gives the name and function of each part of the Power Revolver.

### 1.3.1 System appearance



### 1.3.2 Revolver unit

This unit is mounted on the microscope unit and allows a maximum of 4 objectives to be attached to. A desired objective is selected with the Position Select buttons (see § 1.3.3) on the control box.



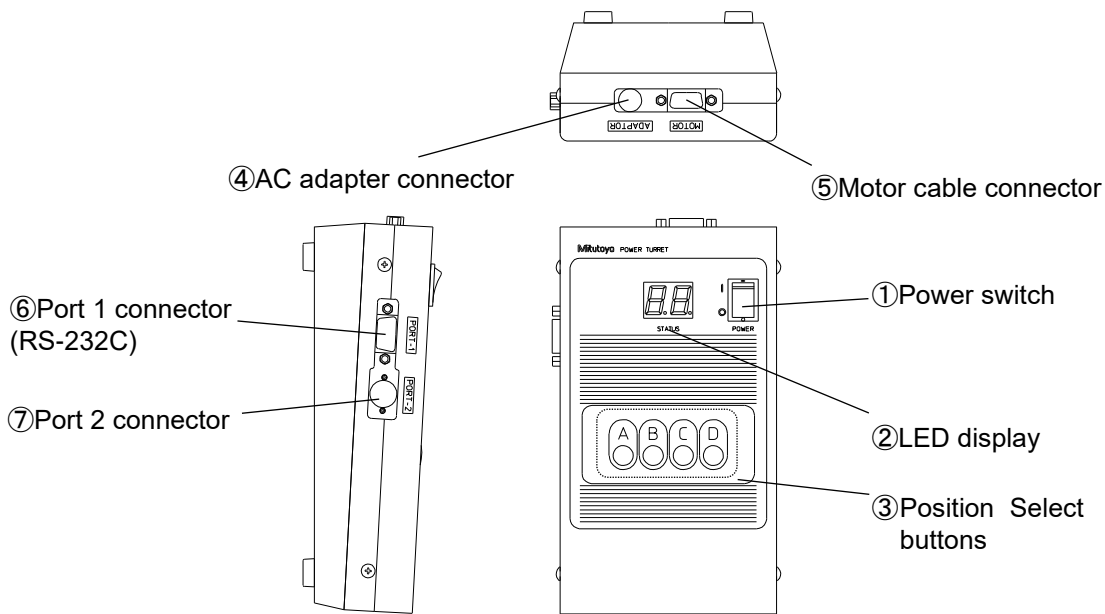
---

**TIP** What is the position? : Four tapped hole positions where the objectives are mounted

---



1.3.3 Control box



- ① Power switch  
Turns on and off the power to the control box.
- ② LED display  
Displays the selection status of position, error (see § 4.2), etc., with the two-digit LED.

Display	Status	Display	Status
<i>PA</i> (P A)	Position A (of objectives) is selected.	<i>Pd</i> (P d)	Position D (of objectives) is selected.
<i>Pb</i> (P b)	Position B (of objectives) is selected.	<i>AC</i> (A C)	The revolver is turning.
<i>PC</i> (P C)	Position C (of objectives) is selected.		

- ③ Position Select buttons  
Either of the buttons is pressed to switch to a desired objective.
- ④ AC adapter connector  
Connects the AC adapter.
- ⑤ Motor cable connector  
Connects the revolver unit.
- ⑥ Port 1 connector (RS-232C)  
Connects to the personal computer with the dedicated cable.
- ⑦ Port 2 connector  
Connects to the control box for the Power Focus Unit (option) with the dedicated cable.

---

MEMO

---

# 2

## Installation

This chapter explains how to install the Power Revolver in the microscope unit and adjust each of the parts.

---

### 2.1 Unpacking and Checking

---

Prior to shipment from the factory, the Power Revolver is thoroughly inspected and its mechanical, optical, and electrical operation are fully guaranteed.

Unpack the Power Revolver, and make sure that all accessories and components are present, and that the Power Revolver was not damaged during shipment. If you have any questions, contact your dealer or nearest Mitutoyo Service Center.

---

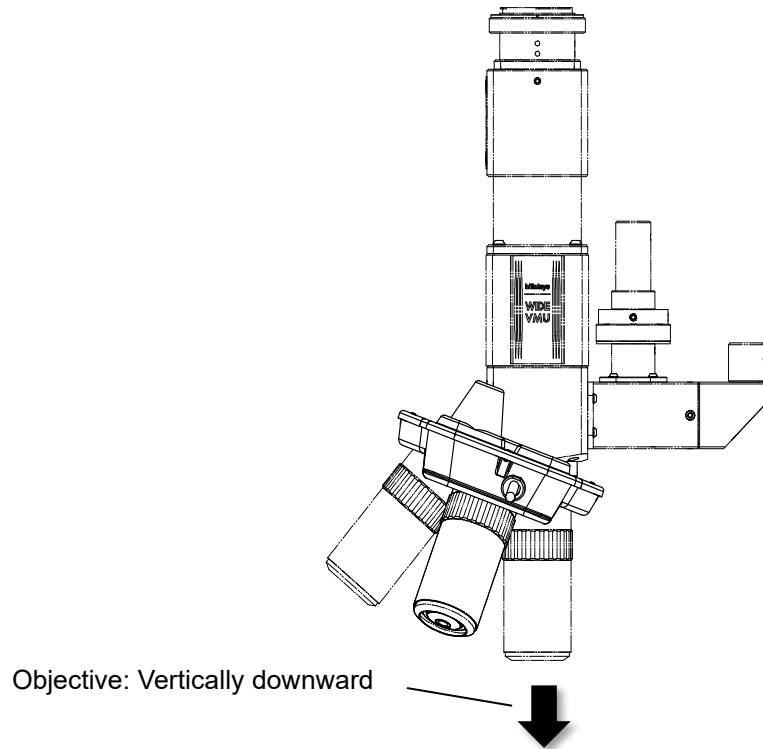
## 2.2 Notes on mounting the revolver to instrument

---

When mounting the power revolver to Mitutoyo video microscope unit or your instrument, pay attention so as to mount the power revolver in the correct orientation.

Namely, mount the revolver unit in such a manner that the objective to be used for observation and measurement is oriented downward in the vertical direction.

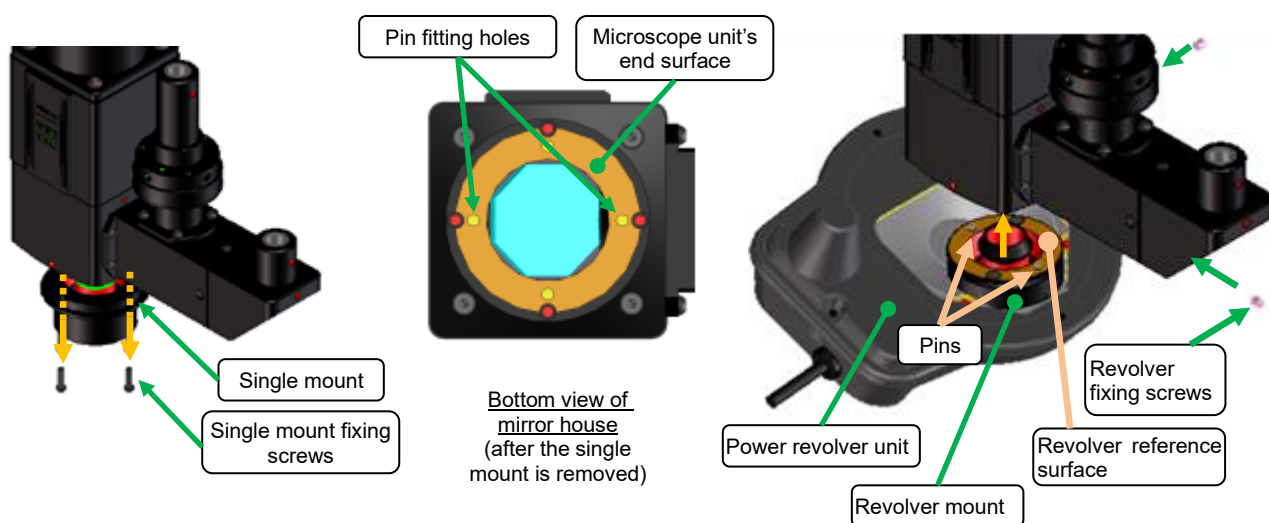
Otherwise, the normal rotational motion is not guaranteed.



## 2.3 Mounting the Revolver

Mount the power revolver unit to the video microscope unit according to the following procedure:

- ① Loosen the single mount fixing screws (4 pieces of hexagon socket button head cap screws M3) to remove the single mount.
- ② At the bottom of the mirror house, the microscope unit's end surface and the pin fitting holes can be seen.
- ③ Insert the revolver mount in such a manner the peripheral surface of the revolver mount is guided by the inner surface of the mirror house's bottom portion. Then in the state that the pins of the revolver mount is fitted into the pin fitting holes of the mirror house, press the revolver's reference surface on the microscope unit's end surface.
- ④ By using the revolver fixing screws (2 pieces of hexagon socket set screws M4) supplied with the revolver, fix the revolver mount. (Use 2 threaded holes among the 3 threaded holes of the mirror house.)



When loosening the revolver fixing screws, be sure to hold the revolver with your hand. Otherwise, the revolver may drop so that the workpiece or the instrument may be damaged.

### IMPORTANT

Be sure to mount the revolver in the orientation shown in the above figure.

---

**NOTE** When the single mount is removed, the mirror is exposed. Accordingly, pay attention on handling.

---

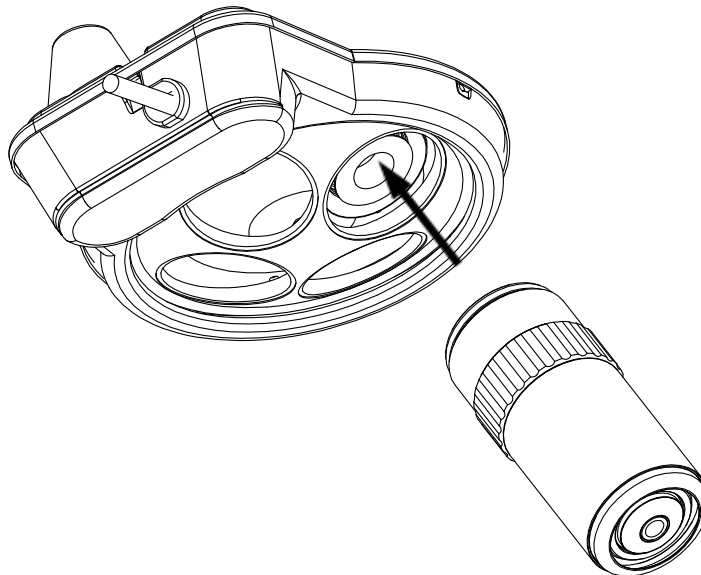
**TIP** In Mitutoyo WIDE VMU, the position of the objective seat is not changed between when the single mount is attached and when the various revolvers are attached. Consequently, the compatibility of the attached position is guaranteed.

---

## 2.4 Mounting the objective

---

Unscrew the caps mounted on the Power Revolver unit and screw objectives to attach to the revolver. It is possible to attach a maximum of 4 objectives.



Before mounting the objective to the power revolver unit, turn off the power of the instrument.

In addition, do not insert your finger in the objective mount.

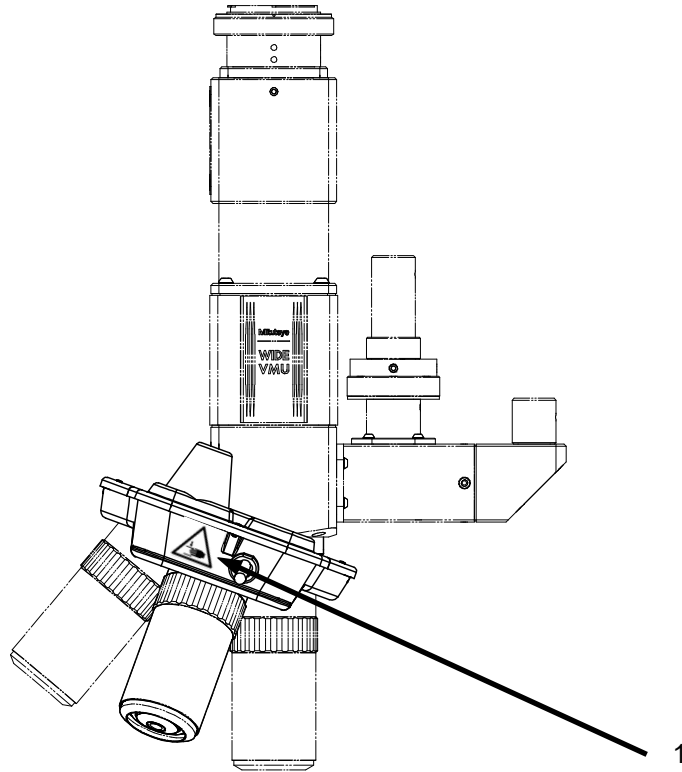
Otherwise, personal injury may occur by rotational movement of the revolver.

---

- NOTE**
1. Do not touch the lens surface of the objective.
  2. Pay attention so as not to drop the objective.
  3. Do not tighten the objective with an excessive force.
  4. Store the removed objective in the supplied objective case.
-

## 2.5 Sticking Precaution Labels

When mounting the power revolver to the WIDE VMU (Video Microscope Unit), be sure to stick the supplied precaution seal as shown in the figure below.



Example of location where the precaution seal should be stuck

### 【Product Safety Labels】

1		<p>Warning; Crushing of Hands (Prevents the operator from the risk of injury due to pinched fingers.)</p> <p>Do not insert your fingers or hand between the rotating revolver and the WIDE VMU (Video Microscope Unit).</p> <p>Otherwise, a personal injury may result.</p>
---	--	---



**Stick the precaution labels at locations easy to watch, and pay enough attention when handling the power revolver. According to the orientation of mounting the revolver to VMU, stick the precaution labels to locations each to watch.**

---

## 2.6 Setting-up the Power Supply

---

Use the dedicated AC adapter for the power supply to this unit. The AC power voltage for the Power Revolver must be between 100V and 240VAC  $\pm$  10% and have a frequency of 50/60Hz.

A two-pole outlet or a two-pole outlet with a ground terminal is required as the AC power outlet. Make allowance for the power output capacity in consideration of the total consumption of the system.

---

**NOTE** Only allow the power outlet at the installation site to be used for the machinery including the Power Revolver. Do not plug other electric equipment into the outlet.

---

---

**TIP** The system may require a power regulator if power fluctuation is not within  $\pm$ 10% of the specified voltage. An uninterruptible power system is required if there is the potential for power failure.  
For more information, contact your dealer or the nearest Mitutoyo sales office.

---

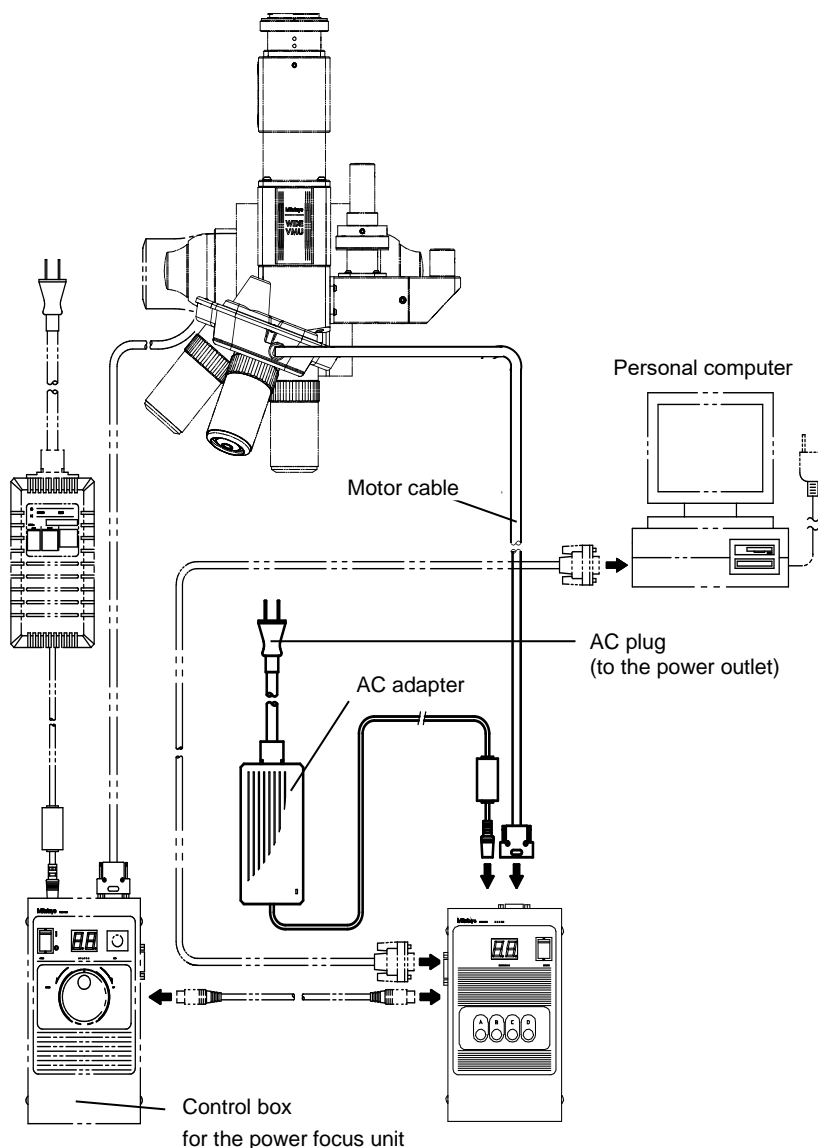


## 2.7 Connecting Each Part

Connect the cables of each part according to the following figure.

Connect the motor cable connector and the AC adapter plug to the control box, and finally connect the power plug to the AC outlet.

If a personal computer and the power focus unit are used, connect them using the dedicated cables (optional accessories)



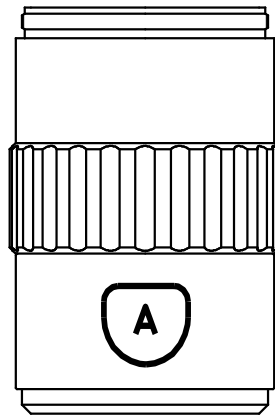
---

## 2.8 Labeling the Position ID Seals

---

To identify in which position of A, B, C, and D the individual objectives are attached, label the ID seal around each objective tube.

- ① Turn on the power switch on the control box.
- ② Press the Position Select button A.  
The revolver rotates the objective attached in position A to the observation position.
- ③ Label the seal [A] around the tube of the objective that has come in the observation position.
- ④ Similarly label the seal corresponding to the position on other objectives.



# 3

## Operating Procedure

This chapter explains the procedure for operating the Power Revolver when using the microscope.

### 3.1 Operation from the Control Box

- ① Turn on the power switch. (The current objective position on the revolver such as [PA] is displayed on the display unit.)
- ② Select a desired objective.  
Check the position ID of the seal labeled on the desired objective, then press the Position Select button of the same ID. The revolver will rotate in the following direction depending on the selected objective position.

Selected position	Rotating direction (when viewed from above)
Adjacent to the observation position	Clockwise or counterclockwise by 90°
180° opposed to the observation position	Clockwise

### 3.2 Operation from a Personal Computer

When using a personal computer, turn on the power according to the following procedure.

- ① Turn on the power to the personal computer.
- ② Turn on the power to the control box.

When turning off the power, turn off the control box first then turn off the personal computer. For information about the communication command specification, refer to "5.4 Specification for Connecting a Personal Computer".



Operate prudently so that the objective may not contact a workpiece when switching the objective. On the damage which originates from the handling, Mitutoyo assumes no responsibility.

---

MEMO

# 4

## Troubleshooting

Although a problem may occur when this unit is being used, this does not necessarily indicate a failure. Determine the nature of the problem, and then take corrective action according to the following table. If the problem is not corrected after taking corrective action, contact your dealer or the nearest Mitutoyo sales office.

### 4.1 Troubleshooting and Remedies

Symptoms	Check points	Remedies	Ref.
<b>The Power Revolver will not rotate when a Position Select button is pressed.</b>	1) Check if power is on.	1) Plug the power cord plug into the power outlet.	1.3.3
	2) Check if [P*] (* : either of A, b, C, or d) is displayed on the display unit.	2) Turn on the power switch.	
	3) Check if the Position Select button that has already been selected is pressed.	3) Press another Position Select button except the button that has been selected.	
	4) Check whether the LED display does not indicate [P*] although the power switch has been turned on.	4) The electronic fuse in the control box may have been actuated due to excessive current. Turn off the power switch and wait about 10 minutes before turning it on again.	
	5) Is the setting of dip switches correct?	5) Set the dip switch correctly.	5.5.4
	6) In addition to the supplied cable between the revolver unit and the console box, is an extension cable used?	6) Adopt the predetermined connection. (This system cannot use any extension cable.)	

<b>The stopping accuracy is not good.</b>	<ol style="list-style-type: none"> <li>1) Are the revolver fixing screws loosened?</li> <li>2) Is there backlash and play in the gear system, or are the screws in the gear system loosened?</li> <li>3) Is the revolver orientation oblique or horizontal?</li> </ol>	<ol style="list-style-type: none"> <li>1) Tighten the revolver fixing screws securely.</li> <li>2) Contact your dealer or the nearest Mitutoyo sales office (Do not disassemble). Adjustment in Mitutoyo plant is required.</li> <li>3) Mount the revolver in such a manner that the objective is oriented downward in the vertical direction. In the other orientations, the correct motion and accuracy are not guaranteed.</li> </ol>	2.3
<b>Short-run of the revolver occurs. (The error "E4" or "E5" is displayed)</b>	<ol style="list-style-type: none"> <li>1) Is the setting of dip switches correct?</li> <li>2) The mass is too large. Is anything other than Mitutoyo objectives mounted to the revolver unit?</li> <li>3) Is there backlash and play in the gear system, or are the screws in the gear system loosened?</li> <li>4) In addition to the supplied cable between the revolver unit and the console box, is an extension cable used?</li> </ol>	<ol style="list-style-type: none"> <li>1) Set the dip switches correctly.</li> <li>2) Remove anything other than Mitutoyo objectives.</li> <li>3) Contact your dealer or the nearest Mitutoyo sales office (Do not disassemble).</li> <li>4) Adopt the predetermined connection. (This system cannot use any extension cable.)</li> </ol>	5.5.4
<b>Over-run of the revolver occurs. (The error "E4" or "E5" is displayed)</b>	<ol style="list-style-type: none"> <li>1) Is the setting of dip switches correct?</li> <li>2) The mass is too large. Is anything other than Mitutoyo objectives mounted to the revolver unit?</li> <li>3) Is there backlash and play in the gear system, or are the screws in the gear system loosened?</li> <li>4) In addition to the supplied cable between the revolver unit and the console box, is an extension cable used?</li> </ol>	<ol style="list-style-type: none"> <li>1) Set the dip switches correctly.</li> <li>2) Remove anything other than Mitutoyo objectives.</li> <li>3) Contact your dealer or the nearest Mitutoyo sales office (Do not disassemble).</li> <li>4) Adopt the predetermined connection. (This system cannot use any extension cable.)</li> </ol>	5.5.4

The revolver does not operate by commands from the PC.	1)	Is the sequence of turning on the power incorrect?	1)	Turn on the power in the sequence of the PC, and then the console box.	3.2
	2)	Are the commands from the PC single-byte and capital?	2)	Use single-byte and capital letters for the commands.	5.5.5
	3)	Has the RS232C communication error occurred?	3)	In some models of PC, when the PC is started up, incorrect data is output. Accordingly, when starting up the PC, transmit the error clear command to resume the RS232C communication.	
	4)	Is the communication condition correct?	4)	Set the RS232C communication condition correctly.	5.5.1

## 4.2 Error Messages and Remedies

LED display	LED status	Meaning and remedy
E1	Blinking	RS-232C parity error Slide the dip switch to ON and OFF so as to check the phenomenon again. ...Restart the system power.
E2		RS-232C over-run error Slide the dip switch to ON and OFF so as to check the phenomenon again. ...Restart the system power.
E3		RS-232C framing error Slide the dip switch to ON and OFF so as to check the phenomenon again. ...Restart the system power.
E4		Timeout error (occurs if the time between the rotation instruction reception and the rotation completion exceeds the specified time.) ...Restart the system power.
E5		Sensor detection failure error (occurs if no sensor input comes from anywhere during motor stop.) ...Press a Position Select button to rotate the revolver.

**NOTE** Depending on the sequence and timing of turning on or off the power to the console box, the PC and the video microscope unit, an error message may appear.

Be sure to turn on the power in the correct sequence

---

MEMO



# 5

## Specifications

This chapter describes about the specification on Power Revolver system.

### 5.1 Revolver unit

Observation	Bright/Dark field
Number of mounting holes for the objective	4 (fixed hole)
Drive method	Gear drive with a DC motor
External dimensions	164(W) x 137(D) x 65(H) mm 6.46"(W) x 5.39"(D) x 2.56"(H)
Mass	Approx. 1400 g

### 5.2 Control Box

LED display	7 -segment LED (2 digits)
Control switch	Power switch, Position Select buttons
Input voltage	12 VDC (AC adapter output voltage)
Power consumption	Approx. 6 W
External output	RS-232C
External dimensions	108(W) x 193(D) x 72(H) mm 4.25"(W) x 7.60"(D) x 2.83"(H)
Mass	Approx. 810 g

## 5.3 Accessories

Part name	Part No.	Quantity	Remark(※1)
Hexagon socket button head cap Screws M4x6	A162-3221U	2 pcs	○
Warning seal ; Crushing of Hands	42ZAA203A	3 pcs	○
Position ID seal	12BAC011	4 sets	○
AC adapter (Input voltage: 100V to 240VAC, 50/60Hz)	357651	1 pc.	○
Power cord	Differs depending on the destination country.	1 pc.	○
User's Manual	99MBA120A	1 copy	○
RS-232C cable (2m)	12AAA807	—	△
Link cable (0.6m) (※2)	12AAB283	—	△

※1) ○ ; Standard accessory      △ ; Optional accessory(User option)

2) Used for linking the power revolver with the power focus unit.

## 5.4 CE marking / UKCA marking

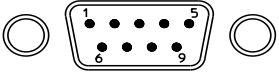
EMC Directive / Electromagnetic Compatibility Regulations	EN61326-1 Immunity test requirements Clause 6.2Table2 Emission class:ClassA
RoHS Directive / The Restriction of the Use of Certain HazardousSubstances in Electrical and Electronic EquipmentRegulations:	EN IEC 63000

## 5.5 Specification for Connecting a Personal Computer

### 5.5.1 RS-232C communication protocol

Communication method	:	Half duplex
Synchronizing method	:	Asynchronous (start/stop method)
Baud rate	:	1200, 2400, 4800, or 9600(*1) bps
		(*1 factory setting, selectable with DIP switch)
Bit configuration	:	Data bit           8 bits (ASCII code)
		Parity bit       None/even/odd
		Stop bit         1 bit

### 5.5.2 RS-232C connector

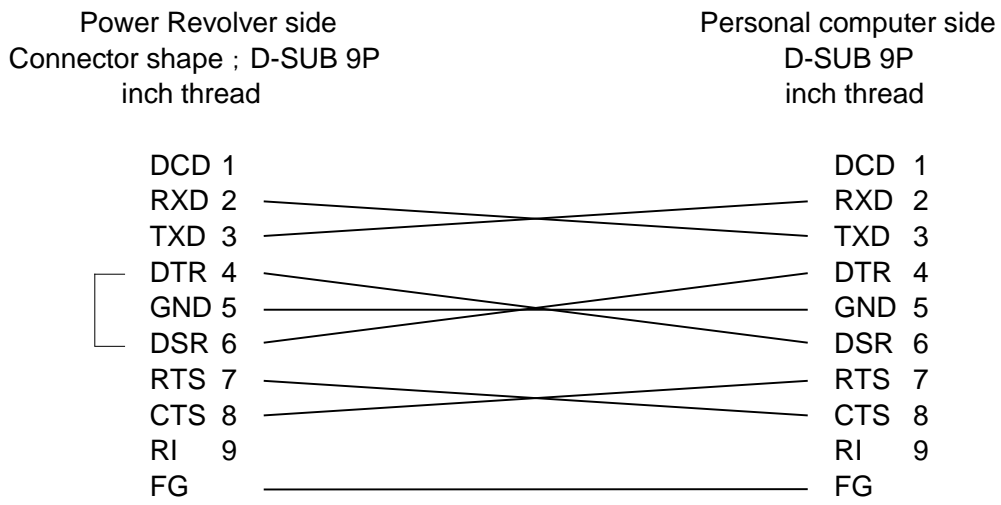
Connector shape	Pin No.	Signal name	I/O (※)	Description
 <p>D-sub, 9 pins, male, inch thread</p>	1			
	2	RD	IN	Receive data
	3	TD	OUT	Transmit data
	4	DTR	OUT	Data terminal ready
	5	SG	—	Signal ground
	6	DSR	IN	Data set ready
	7	RTS	OUT	Request to send
	8	CTS	IN	Clear to send
	9			
	FG	—	—	Frame ground

※Each signal input/output depends on the direction viewed from the control box of the Power Revolver.

The input/output circuits used are equivalent to MAX232 (MAXIM Corporation).

---

### 5.5.3 Connection of RS-232C cable



### 5.5.4 Setup of DIP switches

If it is necessary to change factory settings, set the DIP switches again according to each conditions.

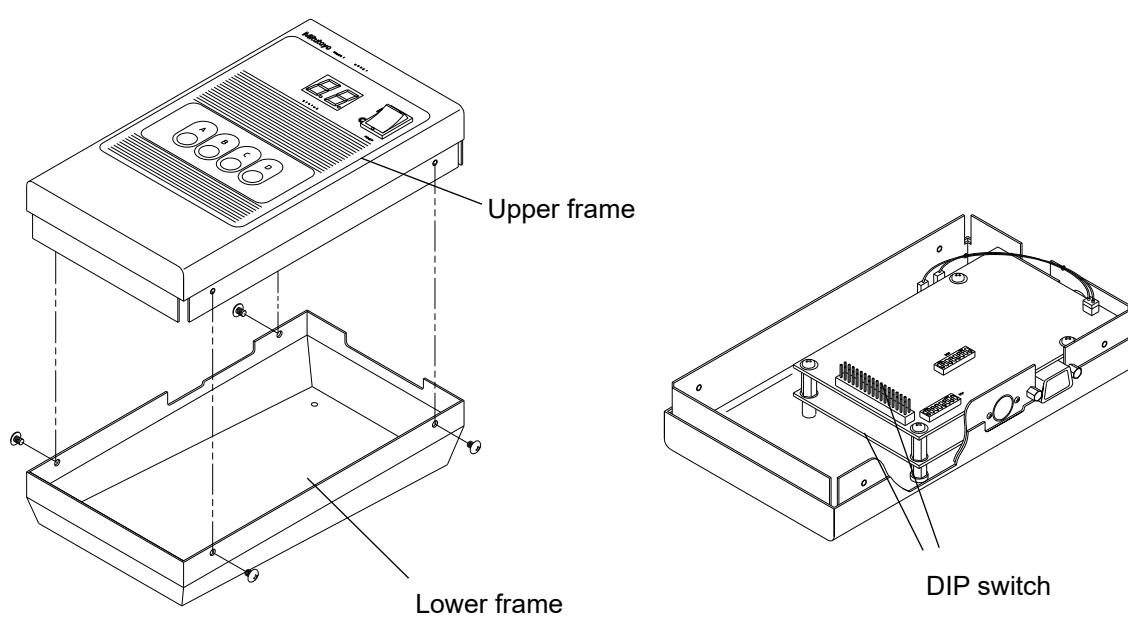
The procedure for setting the DIP switches is described below.

#### ① Disassembling the control box

Turn off the power switch on the control box, and then disconnect the cables.

Unscrew the four screws with a screwdriver, then remove the lower frame from the upper frame in which switches are built in.

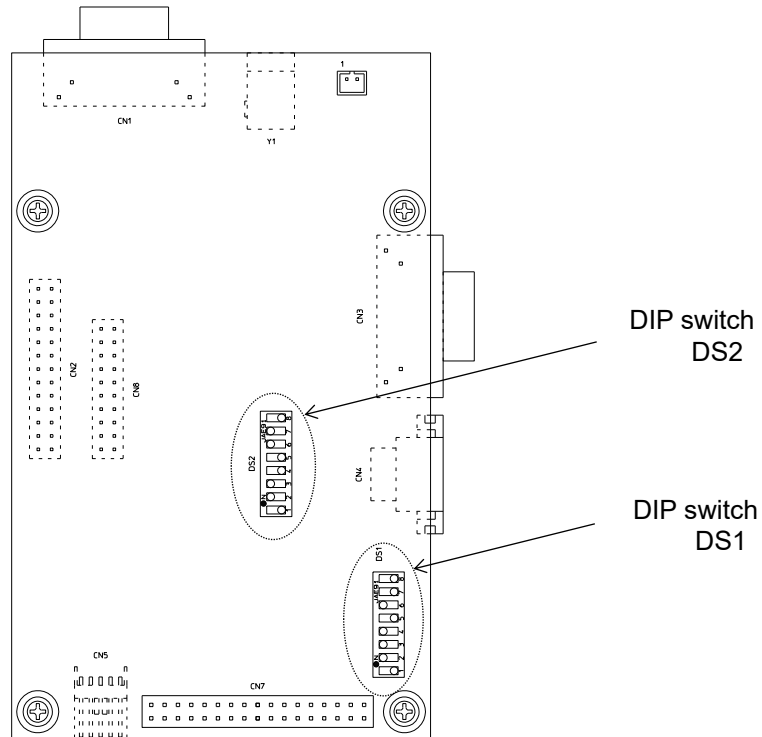
Turn the upper frame over, and set the DIP switches again.



---

② DIP switch position

Confirm the position of the DIP switch to be changed.



**CAUTION**

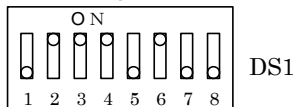
Before performing this operation, be sure to turn off the power.

---

### ③ Setting DIP switches

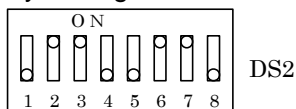
Set the DIP switches according to the tables below.

Factory settings



Setting	Switch No.								Description
	1	2	3	4	5	6	7	8	
Fixed	OFF								Do not change
Fixed		ON							Do not change
Fixed			ON						Do not change
Fixed				ON					Do not change
Fixed					OFF				Do not change
Parity check: even/odd						ON			Even parity check
						OFF			Odd parity check
Parity check: used/none							ON		Parity check: None
							OFF		Parity check: Used
Fixed								OFF	Do not change

Factory settings



Setting	Switch No.								Description																		
	1	2	3	4	5	6	7	8																			
Fixed	OFF								Do not change																		
Fixed		ON							Do not change																		
RS-232C baud rate			*1						<table border="1" style="font-size: small;"> <tr> <th style="text-align: left;">Switch No.</th> <th style="text-align: left;">bps</th> <th>1200</th> <th>2400</th> <th>4800</th> <th>9600</th> </tr> <tr> <td>*1</td> <td>3</td> <td>ON</td> <td>OFF</td> <td>ON</td> <td>OFF</td> </tr> <tr> <td>*2</td> <td>4</td> <td>ON</td> <td>ON</td> <td>OFF</td> <td>OFF</td> </tr> </table>	Switch No.	bps	1200	2400	4800	9600	*1	3	ON	OFF	ON	OFF	*2	4	ON	ON	OFF	OFF
	Switch No.	bps	1200	2400	4800	9600																					
*1	3	ON	OFF	ON	OFF																						
*2	4	ON	ON	OFF	OFF																						
				*2																							
Fixed					OFF				Do not change																		
Fixed						ON			Do not change																		
Fixed							ON		Do not change																		
Fixed								OFF	Do not change																		

---

### 5.5.5 RS-232C communication specification

"EM" and "CRLF" described in tables are defined as the following meaning.

"EM" : End mark  
"CRLF" : Carriage return, line feed

#### Control command (Use a 1-byte capital letter for the command.)

These commands are used for the case in which the rotation of the Power Revolver is controlled from the personal computer.

(1)Rotation to position A

Header			Sub-field			EM	
R	W	R	M	V	A	CR	LF

(2)Rotation to position B

Header			Sub-field			EM	
R	W	R	M	V	B	CR	LF

(3)Rotation to position C

Header			Sub-field			EM	
R	W	R	M	V	C	CR	LF

(4)Rotation to position D

Header			Sub-field			EM	
R	W	R	M	V	D	CR	LF

(5)Stop

Header			Sub-field			EM	
R	W	R	S	T	P	CR	LF

This command is used for the case in which the rotation of the revolver is stopped in the position except for position A, B, C and D.

Note) In this case, the positioning accuracy is not guaranteed.



**Answer data** (The data from the Power Revolver is returned in the format of 1-byte capital letter.)

The Power Revolver sends one of the following responses, when the control command from the personal computer is accepted.

Normal response

Header			EM	
R	O	K	CR	LF

Abnormal response

Header			Status		EM	
R	N	G	*	*	CR	LF

Status	Description
0 5	RS232C parity error
0 7	RS232C over-run error
0 8	RS232C framing error
0 9	An undefined command was received.
1 0	Another command is being executed.
1 1	The power supply of power focus unit is not turned on.
1 2	Though the command for the power focus unit was received, the power focus unit is not connected.

(Response timing to commands)

In response to the control command from the personal computer, the Power Revolver sends its status at the time of accepting the command.

**Read command** (Use a 1-byte capital letter for the command.)

These commands are sent by the personal computer to know the current status of the Power Revolver.

Basic command

Header			Sub-field			EM	
R	R	D	S	T	U	CR	LF

Reads the status of the Power Revolver from the personal computer.

The response of the Power Revolver to the basic commands above from the personal computer is as below.

Header			Data								EM	
R	O	K	①	②	③	④	⑤	⑥	⑦	⑧	CR	LF

Data	Number of bytes	Description
① Operation status of the Power Revolver	1	0 : Ready status 1 : The revolver is rotating.
② Not assigned	1	0 : Fixed value
③ Not assigned	1	0 : Fixed value
④ Not assigned	1	0 : Fixed value
⑤ Communication	1	0 : Normal 1 : Parity error 2 : Over-run error 3 : Framing error
⑥ Connection status	1	0 : The power focus unit is connected. 1 : The power revolver is connected. 2 : The power focus unit and power revolver are connected.
⑦ Version of the program	1	1 : Ver. 1.00
⑧ Position sensor detection status	1	0 : No sensor detects the position. 1 : Sensor A detects the position. 2 : Sensor B detects the position. 3 : Sensor C detects the position. 4 : Sensor D detects the position.

(Response timing to commands)

The Power Revolver sends the response to the personal computer after completion of the processing for the read command.

---

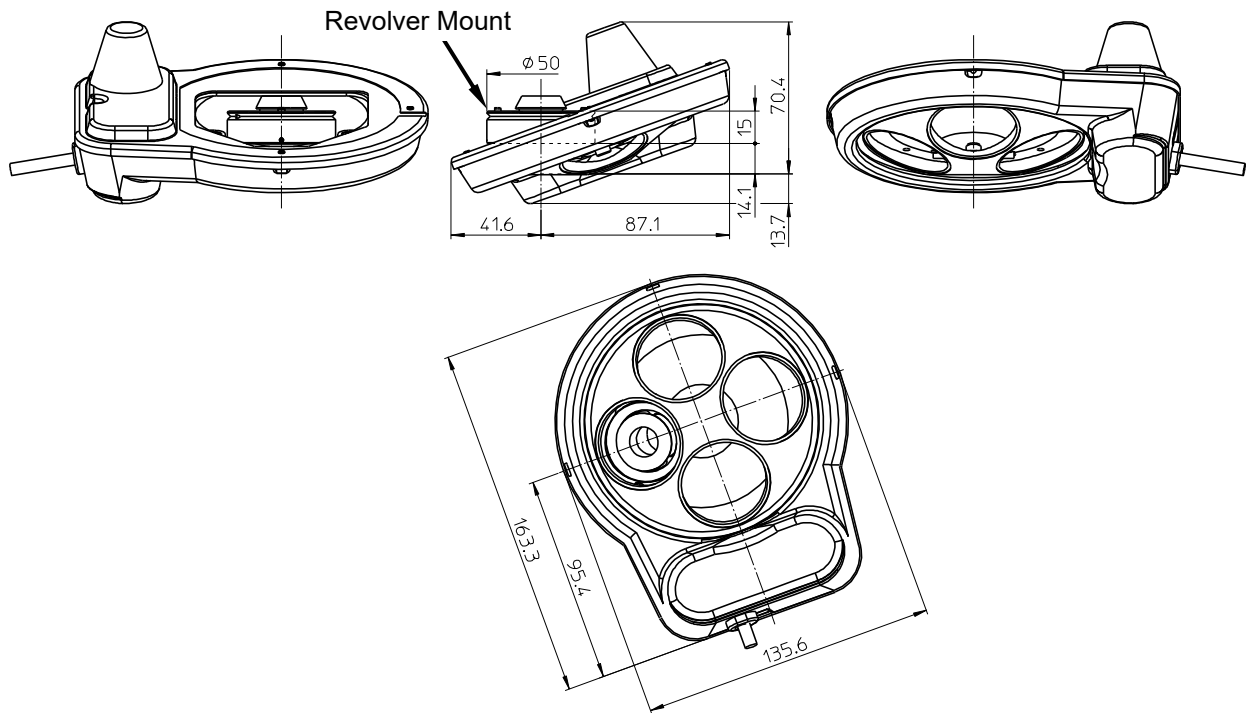
**NOTE** The commands(signals) from the personal computer are not accepted, when one of the errors “E1” to “E4” blinks in the display. Cancel the error by initiating the control box and personal computer.

---

## 5.6 External Dimensions

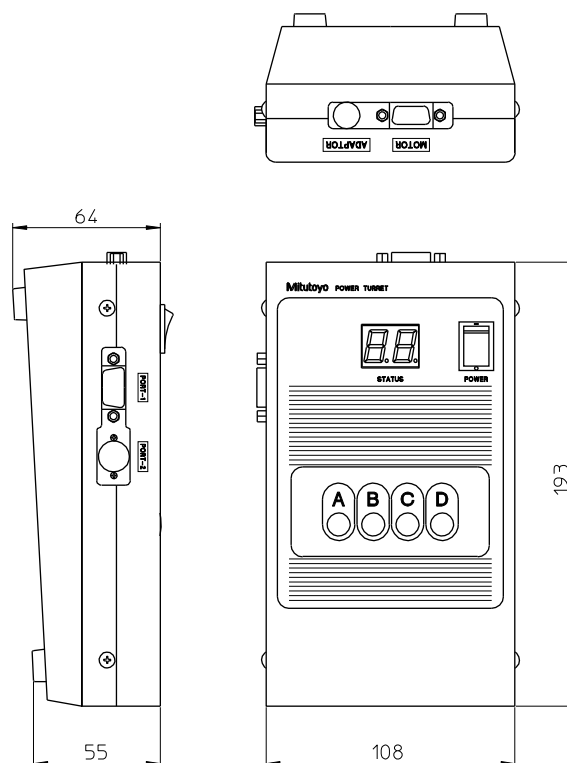
### 5.6.1 Revolver unit

Unit; mm



### 5.6.2 Console box

Unit; mm



---

MEMO

## Europe

### Mitutoyo Europe GmbH

Borsigstrasse 8-10, 41469 Neuss, GERMANY  
TEL: 49(0)2137 102-0 FAX: 49(0)2137 102-351

### Mitutoyo CTL Germany GmbH

Von-Gunzert-Strasse 17, 78727 Oberndorf, GERMANY  
TEL: 49(0)7423 8776-0 FAX: 49(0)7423 8776-99

### KOMEG Industrielle Messtechnik GmbH

Zum Wasserwerk 3, 66333 Völklingen, GERMANY  
TEL: 49(0)6898 91110 FAX: 49(0)6898 9111100

## Germany

### Mitutoyo Deutschland GmbH

Borsigstrasse 8-10, 41469 Neuss, GERMANY  
TEL: 49(0)2137 102-0 FAX: 49(0)2137 86 85

### M<sup>3</sup> Solution Center Hamburg

Tempowerkring 9 im HIT-Technologiepark 21079 Hamburg, GERMANY

TEL: 49(0)40 791894-0 FAX: 49(0)40 791894-50

### M<sup>3</sup> Solution Center Berlin

Ernst-Lau-Straße 6, 12489 Berlin, GERMANY  
TEL: 49(0)30 2611 267 FAX: 49 30 67988729

### M<sup>3</sup> Solution Center Eisenach

Neue Wiese 4, 99817 Eisenach, GERMANY  
TEL: 49(0)3691 88909-0 FAX: 49(0)3691 88909-9

### M<sup>3</sup> Solution Center Ingolstadt

Marie-Curie-Strasse 1A, 85055 Ingolstadt, GERMANY  
TEL: 49(0)841 954920 FAX: 49(0)841 9549250

### M<sup>3</sup> Solution Center Leonberg

Steinbeisstrasse 2, 71229 Leonberg, GERMANY  
TEL: 49(0)7152 6080-0 FAX: 49(0)7152 608060

### Mitutoyo-Messgeräte Leonberg GmbH

Heidenheimer Strasse 14, 71229 Leonberg, GERMANY  
TEL: 49(0)7152 9237-0 FAX: 49(0)7152 9237-29

## U.K.

### Mitutoyo (UK) Ltd.

Joule Road, West Point Business Park, Andover, Hampshire  
SP10 3UX, UNITED KINGDOM  
TEL: 44(0)1264 353 123 FAX: 44(0)1264 354883

### M<sup>3</sup> Solution Center Coventry

Unit6, Banner Park, Wickmans Drive, Coventry,  
Warwickshire CV4 9XA, UNITED KINGDOM  
TEL: 44(0)2476 426300 FAX: 44(0)2476 426339

### M<sup>3</sup> Solution Center Halifax

Lowfields Business Park, Navigation Close, Elland, West  
Yorkshire HX5 9HB, UNITED KINGDOM  
TEL: 44(0)1422 375566 FAX: 44(0)1422 328025

### M<sup>3</sup> Solution Center East Kilbride

The Baird Building, Rankine Avenue, Scottish Enterprise  
Technology Park, East Kilbride G75 0QF, UNITED  
KINGDOM  
TEL: 44(0)1355 581170 FAX: 44(0)1355 581171

## France

### Mitutoyo France

Paris Nord 2-123 rue de la Belle Etoile, BP 59267 ROISSY  
EN FRANCE 95957 ROISSY CDG CEDEX, FRANCE  
TEL: 33(0)149 38 35 00

### M<sup>3</sup> Solution Center LYON

Parc Mail 523, cours du 3ème millénaire, 69791 Saint-Priest,  
FRANCE  
TEL: 33(0)149 38 35 70

### M<sup>3</sup> Solution Center STRASBOURG

Parc de la porte Sud, Rue du pont du péage, 67118  
Geispolsheim, FRANCE  
TEL: 33(0)149 38 35 80

### M<sup>3</sup> Solution Center CLUSES

Espace Scionzier 480 Avenue des Lacs, 74950 Scionzier,  
FRANCE  
TEL: 33(0)1 49 38 35 90

### M<sup>3</sup> Solution Center TOULOUSE

Aeroparc Saint Martin Cellule B08  
ZAC de Saint Martin du Touch 12 rue de Caulet  
31300 Toulouse, FRANCE  
TEL: 33(0)1 49 38 42 90

### M<sup>3</sup> Solution Center RENNES

2, rue Claude Chappe, PA le Vallon - ZAC Mivoie, 35230  
Noyal-Châtillon-sur-Seiche, FRANCE  
TEL: 33(0)1 49 38 42 10

## Italy

### MITUTOYO ITALIANA S.r.l.

Corso Europa, 7 - 20045 Lainate (MI), ITALY  
TEL: 39 02 935781 FAX: 39 02 93578255

### M<sup>3</sup> Solution Center BOLOGNA

Via dei Carpini1/A - 40011 Anzola Emilia (BO), ITALY  
TEL: 39 02 93578215 FAX: 39 02 93578255

### M<sup>3</sup> Solution Center CHIETI

Contrada Santa Calcagna - 66020 Rocca S. Giovanni (CH),  
ITALY  
TEL: 39 02 93578280 FAX: 39 02 93578255

### M<sup>3</sup> Solution Center PADOVA

Via G. Galilei 21/F - 35035 Mestrino (PD), ITALY  
TEL: 39 02 93578268 FAX: 39 02 93578255

## Netherlands

### Mitutoyo Nederland B.V.

Wiltonstraat 25, 3905 KW Veenendaal,  
THE NETHERLANDS  
TEL: 31(0)318-534911

### Mitutoyo Nederland B.V. / M<sup>3</sup> Solution Center Enschede

Institutenweg 50, 7521 PK Enschede, THE NETHERLANDS  
TEL: 31(0)318-534911

### Mitutoyo Nederland B.V. / M<sup>3</sup> Solution Center Eindhoven

De Run 1115, 5503 LB Veldhoven, THE NETHERLANDS  
TEL: 31(0)318-534911

### Mitutoyo Research Center Europe B.V.

De Rijn 18, 5684 PJ Best, THE NETHERLANDS  
TEL: 31(0)499-320200 FAX: 31(0)499-320299

## Belgium

### Mitutoyo Belgium N.V. / M<sup>3</sup> Solution Center Melsele

Schaarbeekstraat 20, B-9120 Melsele, BELGIUM  
TEL: 32(0)3-2540444

## Sweden

### Mitutoyo Scandinavia AB

Släntvägen 6, 194 61 Upplands Väsby, SWEDEN  
TEL: 46(0)8 594 109 50 FAX: 46(0)8 590 924 10

### M<sup>3</sup> Solution Center Alingsås

Ängsvaktaregatan 3A, 441 38 Alingsås, SWEDEN  
TEL: 46(0)8 594 109 50 FAX: 46(0)322 63 31 62

### M<sup>3</sup> Solution Center Värnamo

Storgatsbacken 1, 331 30 Värnamo, SWEDEN  
TEL: 46(0)8 594 109 50 FAX: 46(0)370 463 34

## Switzerland

### Mitutoyo (Schweiz) AG

Steinackerstrasse 35, 8902 Urdorf, SWITZERLAND  
TEL: 41(0)447361150 FAX: 41(0)447361151

### Mitutoyo (Suisse) SA

Rue Galilée 4, 1400 Yverdon-les Bains, SWITZERLAND  
TEL: 41(0)244259422 FAX: 41(0)447361151

# SERVICE NETWORK

\*As of October 2020

## Poland

### Mitutoyo Polska Sp.z o.o.

Ul.Graniczna 8A, 54-610 Wroclaw, POLAND  
TEL: 48(0)71354 83 50 FAX: 48(0)71354 83 55

## Czech Republic

### Mitutoyo Česko s.r.o.

Dubská 1626, 415 01 Teplice, CZECH REPUBLIC  
TEL: 420 417-514-011 FAX: 420 417-579-867

### Mitutoyo Česko s.r.o. M<sup>o</sup> Solution Center Ivančice

Ke Karlovu 62/10, 664 91 Ivančice, CZECH REPUBLIC  
TEL: 420 417-514-011 FAX: 420 417-579-867

### Mitutoyo Česko s.r.o. M<sup>o</sup> Solution Center Ostrava Mošnov

Mošnov 314, 742 51 Mošnov, CZECH REPUBLIC  
TEL: 420 417-514-050 FAX: 420 417-579-867

### Mitutoyo Česko s.r.o. Slovakia Branch

Hviezdoslavova 124, 017 01 Povážská Bystrica, SLOVAKIA  
TEL: 421 948-595-590

## Hungary

### Mitutoyo Hungária Kft.

Záhony utca 7, D-épület / fsz, 1031 Budapest, HUNGARY  
TEL: 36(0)1 2141447 FAX: 36(0)1 2141448

## Romania

### Mitutoyo Romania SRL

1A Drumul Garii Odai Street, showroom, Ground Floor,  
075100 OTOPENI-ILFOV, ROMANIA  
TEL: 40(0)311012088 FAX: 40(0)311012089

### Showroom in Brasov

Strada Ionescu Crum Nr.1, Brasov Business Park Turnul 1,  
Mezanin, 500446 Brasov-Judetul Brasov, ROMANIA  
TEL/FAX: 40(0)371020017

## Russian Federation

### Mitutoyo RUS LLC

13 Sharikopodshipnikovskaya, bld.2, 115088 Moscow,  
RUSSIAN FEDERATION  
TEL: 7 495 7450 752

## Finland

### Mitutoyo Scandinavia AB Finnish Branch

Vihertiitäjä 2A, 33960, Pirkkala, FINLAND  
TEL: 358(0)40 355 8498

## Austria

### Mitutoyo Austria GmbH

Salzburger Straße 260 / 3A-4600 Wels, AUSTRIA  
TEL: 43(0) 7242 219 998

### Mitutoyo Austria GmbH Goetzis Regional showroom

Lastenstrasse 48a 6840 Götzis AUSTRIA

## Singapore

### Mitutoyo Asia Pacific Pte. Ltd.

### Head office / M<sup>o</sup> Solution Center

24 Kallang Avenue, Mitutoyo Building, SINGAPORE 339415  
TEL: (65)62942211 FAX: (65)62996666

## Malaysia

### Mitutoyo (Malaysia) Sdn. Bhd.

### Kuala Lumpur Head Office / M<sup>o</sup> Solution Center

Mah Sing Integrated Industrial Park, 4, Jalan Utarid U5/14,  
Section U5, 40150 Shah Alam, Selangor, MALAYSIA  
TEL: (60)3-78459318 FAX: (60)3-78459346

### Penang Branch office / M<sup>o</sup> Solution Center

30, Persiaran Mahsuri 1/2, Sunway Tunas, 11900 Bayan  
Lepas, Penang, MALAYSIA  
TEL: (60)4-6411998 FAX: (60)4-6412998

## Johor Branch office / M<sup>o</sup> Solution Center

70 (Ground Floor), Jalan Molek 1/28, Taman Molek, 81100  
Johor Bahru, Johor, MALAYSIA  
TEL: (60)7-3521626 FAX: (60)7-3521628

## Thailand

### Mitutoyo(Thailand)Co., Ltd.

### Bangkok Head Office / M<sup>o</sup> Solution Center

76/3-5, Chaengwattana Road, Kwaeng Anusaawaree, Khet  
Bangkaen, Bangkok 10220, THAILAND  
TEL: (66)2080 3500 FAX:(66)2521 6136

### Chonburi Branch / M<sup>o</sup> Solution Center

7/1, Moo 3, Tambon Bowin, Amphur Sriracha, Chonburi  
20230, THAILAND  
TEL: (66)2080 3563 FAX:(66)3834 5788

### ACC Branch / M<sup>o</sup> Solution Center

122/8, 122/9, Moo 6, Tambon Donhuaroh,  
Amphur Muangchonburi, Chonburi 20000, THAILAND  
TEL: (66)2080 3565

## Indonesia

### PT. Mitutoyo Indonesia

### Head Office / M<sup>o</sup> Solution Center

Jalan Sriwijaya No.26 Desa cibatu Kec. Cikarang Selatan  
Kab. Bekasi 17530, INDONESIA  
TEL: (62)21-2962 8600 FAX: (62)21-2962 8604

## Vietnam

### Mitutoyo Vietnam Co., Ltd

### Hanoi Head Office / M<sup>o</sup> Solution Center

1st & 2nd floor, MHDI Building, No. 60 Hoang Quoc Viet  
Road, Nghia Do Ward, Cau Giay District, Hanoi, VIETNAM  
TEL: (84)24-3768-8963 FAX: (84)24-3768-8960

### Ho Chi Minh City Branch Office / M<sup>o</sup> Solution Center

123 Dien Bien Phu Street, Ward 15, Binh Thanh District,  
Ho Chi Minh City, VIETNAM  
TEL: (84)28-3840-3489 FAX: (84)28-3840-3498

## Philippines

### Mitutoyo Philippines, Inc.

### Head Office / M<sup>o</sup> Solution Center

Unit 1B & 2B LTI, Administration Building 1, Annex 1,  
North Main Avenue, Laguna Technopark, Binan Laguna  
4024, PHILIPPINES  
TEL: (63)49 544 0272 FAX: (63)49 544 0272

## India

### Mitutoyo South Asia Pvt. Ltd. Head Office

C-122, Okhla Industrial Area, Phase-1, New Delhi-110 020,  
INDIA

TEL: (91) 11-26372090 FAX: (91) 11-26372636

### MSA Technical Center

Plot no. 65, Ground Floor, Udyog Vihar, Phase-4 Gurgaon,  
Haryana - 122016, INDIA  
TEL: (91) 124-2340286/287

### Mumbai Region Head office

303, Sentinel Hiranandani Business Park Powai,  
Mumbai-400 076, INDIA  
TEL: (91) 22-25700684/837/839 FAX: (91) 22-25700685

### Pune Office / M<sup>o</sup> Solution Center

G4/G5, Pride Kumar Senate, Off. Senapati Bapat Road,  
Pune-411 016, INDIA  
TEL: (91) 20-25660043/44/45 FAX: (91) 20-66033644

### Bengaluru Region Head office / M<sup>o</sup> Solution Center

No. 5, 100 Ft. Road, 17th Main, Koramangala, 4th Block,  
Bengaluru-560 034, INDIA  
TEL: (91) 80-25630946/47/48 FAX: (91) 80-25630949

# SERVICE NETWORK

\*As of October 2020

## **Chennai Office / M<sup>®</sup> Solution Center**

No. 624, Anna Salai Teynampet, Chennai-600 018, INDIA  
TEL: (91) 44-24328823/24 FAX: (91) 44-24328825

## **Kolkata Office**

Unit No. 1208, Om Tower, 32, J.L. Nehru Road, Kolkata-700 071, INDIA  
TEL: 91 33-22267088/40060635 FAX: (91)33-22266817

## **Ahmedabad Office/M<sup>®</sup> Solution Center (Ahmedabad)**

A-104 & A-105, First Floor, Solitaire Corporate Park, Near Divya Bhaskar Press, S.G. Road, Ahmedabad - 380 015, INDIA

TEL: (91)079 - 29704902/903

## **Coimbatore Office**

Regus, Srivari Srimath, 3rd Floor, Door No: 1045, Avinashi Road, Coimbatore - 641 018, INDIA  
TEL: (91)9345005663

## **Taiwan**

### **Mitutoyo Taiwan Co., Ltd. / M<sup>®</sup> Solution Center Taipei**

4F., No.71, Zhouzi St., Neihu Dist., Taipei City 114, TAIWAN (R.O.C.)

TEL: 886(2)5573-5900 FAX: 886(2)8752-3267

### **Taichung Branch / M<sup>®</sup> Solution Center Taichung**

1F., No. 299, Gaotie 1st Rd., Wuri Dist., Taichung City 414, TAIWAN(R.O.C.)

TEL:886(4)2338-6822 FAX:886(4)2338-6722

### **Kaohsiung Branch / M<sup>®</sup> Solution Center Kaohsiung**

1F., No.31-1, Haibian Rd., Lingya Dist., Kaohsiung City 802, TAIWAN (R.O.C.)

TEL: 886(7)334-6168 FAX: 886(7)334-6160

## **South Korea**

### **Mitutoyo Korea Corporation**

#### **Head Office / M<sup>®</sup> Solution Center**

(Sanbon-Dong, Geumjeong High View Build.), 6F, 153-8, Ls-Ro, Gunpo-Si, Gyeonggi-Do, 15808 KOREA

TEL: 82(31)361-4200 FAX: 82(31)361-4201

#### **Busan Office / M<sup>®</sup> Solution Center**

(3150-3, Daejeo 2-dong) 8,Yutongdanji 1-ro 49beon-gil, Gangseo-gu, Busan, 46721 KOREA

TEL: 82(51)718-2140 FAX: 82(51)324-0104

#### **Daegu Office / M<sup>®</sup> Solution Center**

(Galsan-dong, Daegu Business Center), 301-Ho, 217, Seongseogongdan-ro, Dalseo-gu, Daegu 42704 KOREA

TEL: 82(53)593-5602 FAX: 82(53)593-5603

## **China**

### **Mitutoyo Measuring Instruments (Shanghai) Co., Ltd.**

8th Floor, Tower 1 Lujiazui Jinkong Square No.1788/1800 Century Ave., Pudong New District, Shanghai 200122, CHINA

TEL: 86(21)5836-0718 FAX: 86(21)5836-0717

### **Suzhou Office / M<sup>®</sup> Solution Center (Suzhou)**

No. 46 Baiyu Road, Suzhou 215021, CHINA

TEL: 86(512)6522-1790 FAX: 86(512)6251-3420

### **Wuhan Office / M<sup>®</sup> Solution Corner**

Room 1701, Wuhan Wanda Center, No. 96, Linjiang Road, Wuchang District, Wuhan Hubei 430060, CHINA

TEL: 86(27)8544-8631 FAX: 86(27)8544-6227

### **Chengdu Office**

1-701, New Angle Plaza, 668# Jindong Road, Jinjiang District, Chengdu, Sichuan 610066, CHINA

TEL: 86(28)8671-8936 FAX: 86(28)8671-9086

### **Hangzhou Office**

Room 804, Eastern International Business Center Building 1, No.600 Jinsha Road of Hangzhou Economic and Technological Development Zone, 310018, CHINA

TEL: 86(571)8288-0319 FAX: 86(571)8288-0320

## **Tianjin Office / M<sup>®</sup> Solution Center China (Tianjin)**

Room D 12/F, TEDA Building, No.256 Jie-fang Nan Road Hexi District, Tianjin 300042, CHINA

TEL: 86(22)5888-1700 FAX: 86(22)5888-1701

## **Changchun Office**

Room 815, 8F, Building A1, Upper East International No.3000 Dongsheng Street, Erdao District, Changchun, Jilin, 130031, CHINA

TEL: 86(431)8192-6998 FAX: 86(431)8192-6998

## **Chongqing Office**

Room 1312, Building 3, Zhongyu Plaza, No.86, Hongjin Avenue, Longxi Street, Yubei District, Chongqing, 400000, CHINA

TEL: 86(23)6595-9950 FAX: 86(23)6595-9950

## **Qingdao Office**

Room 638, 6F, No.192 Zhengyang Road, Chengyang District, Qingdao, Shandong, 266109, CHINA

TEL: 86(532)8096-1936 FAX: 86(532)8096-1937

## **Xi'an Office**

Room 805, Xi'an International Trade Center, No. 196

Xiaozhai East Road, Xi'an, 710061, CHINA

TEL: 86(29)8538-1380 FAX: 86(29)8538-1381

## **Dalian Office / M<sup>®</sup> Solution Center China (Dalian)**

Room A-106 Shuijing SOHO, No.16 Harbin Road, Economic Development Zone, Dalian, 116600 CHINA

TEL: 86(411)8718 1212 FAX: 86(411)8754-7587

## **Zhengzhou Office**

Room1801,18/F,Unit1,Building No.23, Shangwu Inner Ring Road, Zhengdong New District, Zhengzhou City, Henan 450018, CHINA

TEL: 86(371)6097-6436 FAX: 86(371)6097-6981

## **Dongguan Office / M<sup>®</sup> Solution Center China (Dongguan)**

No.26, Chang'an Section Guanchang Road, Chang'an Town, Dongguan City, Guangdong 523855, CHINA

TEL: 86(769)8541 7715 FAX: 86(769)-8541 7745

## **Fuzhou Office**

Room 2104, City Commercial Centre, No.129 Wu Yi Road N., Fuzhou City, Fujian 350005, CHINA

TEL: 86 (591) 8761 8095 FAX: 86 (591) 8761 8096

## **Changsha Office**

Room 2207, Building 1, Shiner International Plaza, No. 88, Kaiyuan Middle Road, Changsha City, Hunan 410100, CHINA

TEL: 86 (731) 8401 9276 FAX: 86 (731) 8401 9376

## **Mitutoyo Leepport Metrology (Hong Kong) Limited**

Room 818, 8/F, Vanta Industrial Centre, No.21-33, Tai Lin Pai Road, Kwai Chung, NT, HONG KONG

TEL: (852)2992-2088 FAX: (852)2670-2488

## **Mitutoyo Measuring Instruments (Suzhou) Co., Ltd.**

No. 46 Baiyu Road, Suzhou 215021, CHINA

TEL: 86(512)6252-2660 FAX: 86(512)6252-2580

## **U.S.A.**

### **Mitutoyo America Corporation**

965 Corporate Blvd., Aurora, IL 60502, U.S.A.

TEL: 1-(630)820-9666 Toll Free No. 1-888-648-8869

FAX: 1-(630)978-3501

### **M<sup>®</sup> Solution Center-Illinois**

965 Corporate Blvd., Aurora, IL 60502, U.S.A.

### **M<sup>®</sup> Solution Center-Ohio**

6220 Hi-Tek Ct., Mason, OH 45040, U.S.A.

TEL: 1-(888)-648-8869 FAX: 1-(513)754-0718

### **M<sup>®</sup> Solution Center-Michigan**

46850 Magellan Drive, Suite 100, Novi, MI 48377, U.S.A.

TEL: 1-(888)-648-8869 FAX: 1-(248)-926-0928

### **M<sup>®</sup> Solution Center-California**

16925 E. Gale Ave., City of Industry, CA 91745, U.S.A.

TEL: 1-(888)-648-8869 FAX: 1-(626)369-3352

# SERVICE NETWORK

\*As of October 2020

## **M<sup>o</sup> Solution Center-North Carolina**

11515 Vanstory Dr., Suite 140, Huntersville, NC 28078, U.S.A.  
TEL: 1-(888)-648-8869 FAX: 1-(704)875-9273

## **M<sup>o</sup> Solution Center-Alabama**

2100 Riverchase Center, Suite 106, Birmingham, AL 35244, U.S.A.

TEL: 1-(888)-648-8869 FAX: 1-(205)-988-3423

## **M<sup>o</sup> Solution Center-Washington**

1000 SW 34th St. Suite G, Renton, WA 98057 U.S.A.

TEL: 1-(888)-648-8869

## **M<sup>o</sup> Solution Center-Texas**

4560 Kendrick Plaza Drive Suite 120 Houston, TX 77032, U.S.A.

TEL: 1-(888)-648-8869 FAX: 1-(281)227-0937

## **M<sup>o</sup> Solution Center-Massachusetts**

753 Forest Street, Suite 110, Marlborough, MA 01752, U.S.A.

TEL: 1-(888)648-8869 FAX: 1-(508)485-0782

## **Mitutoyo America Corporation Calibration Lab**

965 Corporate Blvd., Aurora, IL 60502, U.S.A.

TEL: 1-(888)-648-8869 FAX: 1-(630)978-6477

## **Micro Encoder, Inc.**

11533 NE 118th St., Kirkland, WA 98034-7111, U.S.A.

TEL: 1-(425)821-3906 FAX: 1-(425)821-3228

## **Micro Encoder Los Angeles, Inc.**

16925 Gale Ave. City of Industry, CA 91745-1806 U.S.A.

TEL: 1-626-961-9661 FAX: 1-626-333-8019

## **Mitutoyo America Corporation CT-Lab Chicago**

965 Corporate Blvd., Aurora, IL 60502, U.S.A.

TEL: 1-(888)-648-8869 FAX: 1-(630)-820-3418

## **Tijuana Office / M<sup>o</sup> Solution Center**

Calle José María Velasco 10501-C, Col. Cd. Industrial Nueva Tijuana, C.P. 22500 Tijuana, B.C., MÉXICO

TEL: 52(01-664) 647-5024

## **Querétaro Office / M<sup>o</sup> Solution Center**

Av. Cerro Blanco No.500-1, Colonia Centro Sur, Querétaro, Querétaro, C.P. 76090, MÉXICO

TEL: 52(01-442)340-8018, 340-8019 and 340-8020

FAX: 52(01-442)340-8017

## **Mitutoyo Mexicana, S.A. de C.V. Querétaro Calibration Laboratory**

Av. Cerro Blanco 500 30 Centro Sur, Querétaro, Querétaro, C.P. 76090, MÉXICO

TEL: 52(01-442)340-8018, 340-8019 and 340-8020

FAX: 52(01-442)340-8017

## **Aguascalientes Office / M<sup>o</sup> Solution Center**

Av. Aguascalientes No. 622, Local 15 Centro Comercial El Cilindro Fracc. Pulgas Pandas Norte, C.P. 20138,

Aguascalientes, Ags. MÉXICO

TEL: 52(01-449)174-4140 and 174-4143

## **Irapuato Office / M<sup>o</sup> Solution Center**

Boulevard a Villas de Irapuato No. 1460 L.1 Col. Ejido

Irapuato C.P. 36643

Irapuato, Gto., MÉXICO

TEL: 52(01-462)144-1200 and 144-1400

## **Canada**

### **Mitutoyo Canada Inc.**

2121 Meadowvale Blvd., Mississauga, Ont. L5N 5N1., CANADA

TEL: 1-(905)821-1261 FAX: 1-(905)821-4968

### **Montreal Office**

7075 Place Robert-Joncas Suite 129, Montreal, Quebec H4M 2Z2, CANADA

TEL: 1-(514)337-5994 FAX: 1-(514)337-4498

## **Brazil**

### **Mitutoyo Sul Americana Ltda.**

#### **Head office / M<sup>o</sup> Solution Center / Factory**

Rodovia Índio Tibiriçá 1555, CEP 08655-000 - Vila Sol Nascente - Suzano - SP - BRASIL

TEL: 55(11) 5643- 0040

## **Argentina**

### **Mitutoyo Sul Americana Ltda.**

#### **Argentina Branch / M<sup>o</sup> Solution Center**

Av. B. Mitre 891/899 - C.P. (B1603CQI) Vicente López -Peia. Buenos Aires - ARGENTINA

TEL: 54(11)4730-1433 FAX: 54(11)4730-1411

#### **Sucursal Cordoba / M<sup>o</sup> Solution Center**

Av. Amadeo Sabattini, 1296, esq. Madrid B° Crisol Sur - CP 5000, Cordoba, ARGENTINA

TEL/FAX: 54(351)456-6251

## **Mexico**

### **Mitutoyo Mexicana, S.A. de C.V.**

Industria Eléctrica No.15, Parque Industrial,

Naucalpan de Juárez, Estado de México C.P.53370, MÉXICO

TEL: 52 (01-55) 5312-5612 FAX: 52 (01-55) 5312-3380

#### **Monterrey Office / M<sup>o</sup> Solution Center**

Blv. Interamericana No. 103, Parque Industrial FINSA,

C.P. 66636 Apodaca, N.L., MÉXICO

TEL: 52(01-81) 8398-8227/8228/8242/8244

FAX: 52(01-81) 8398-8226





# **Mitutoyo Corporation**

20-1, Sakado 1-Chome, Takatsu-ku, Kawasaki-shi, Kanagawa 213-8533, Japan

Tel: +81 (0)44 813-8230 Fax: +81 (0)44 813-8231

Home page: <http://www.mitutoyo.co.jp/global.html>

For the EU Directive, Authorized representative and importer in the EU:

Mitutoyo Europe GmbH

Borsigstrasse 8-10, 41469 Neuss, Germany

For the UK Regulation, Authorized representative and importer in the UK:

Mitutoyo (UK) Ltd.

Joule Road, West Point Business Park, Andover, Hampshire SP10 3UX, UNITED KINGDOM