

# CIRCUIT DIAGRAMS

---

JSM-5500/5500LV

JSM-5600/5600LV

---

SCANNING MICROSCOPE

**JEOL**

TS248021

TS278073

---

**JEOL**

Serving Advanced Technology

Tokyo Japan

NOTICE

In order to keep abreast of the test technological developments, the circuits and circuit components constituting your recently delivered instrument may differ slightly from those as indicated in your book of circuit diagrams.

この電気回路図を使用していただくにあたって

最新のエレクトロニクスが要求される理科学機器の性質上、本装置では常に開発が加えられています。したがって、貴所に納入されました装置の実際の回路とこの回路図では数値その他に多少の差異が生ずることがありますが、その点御理解の上御了承願います。

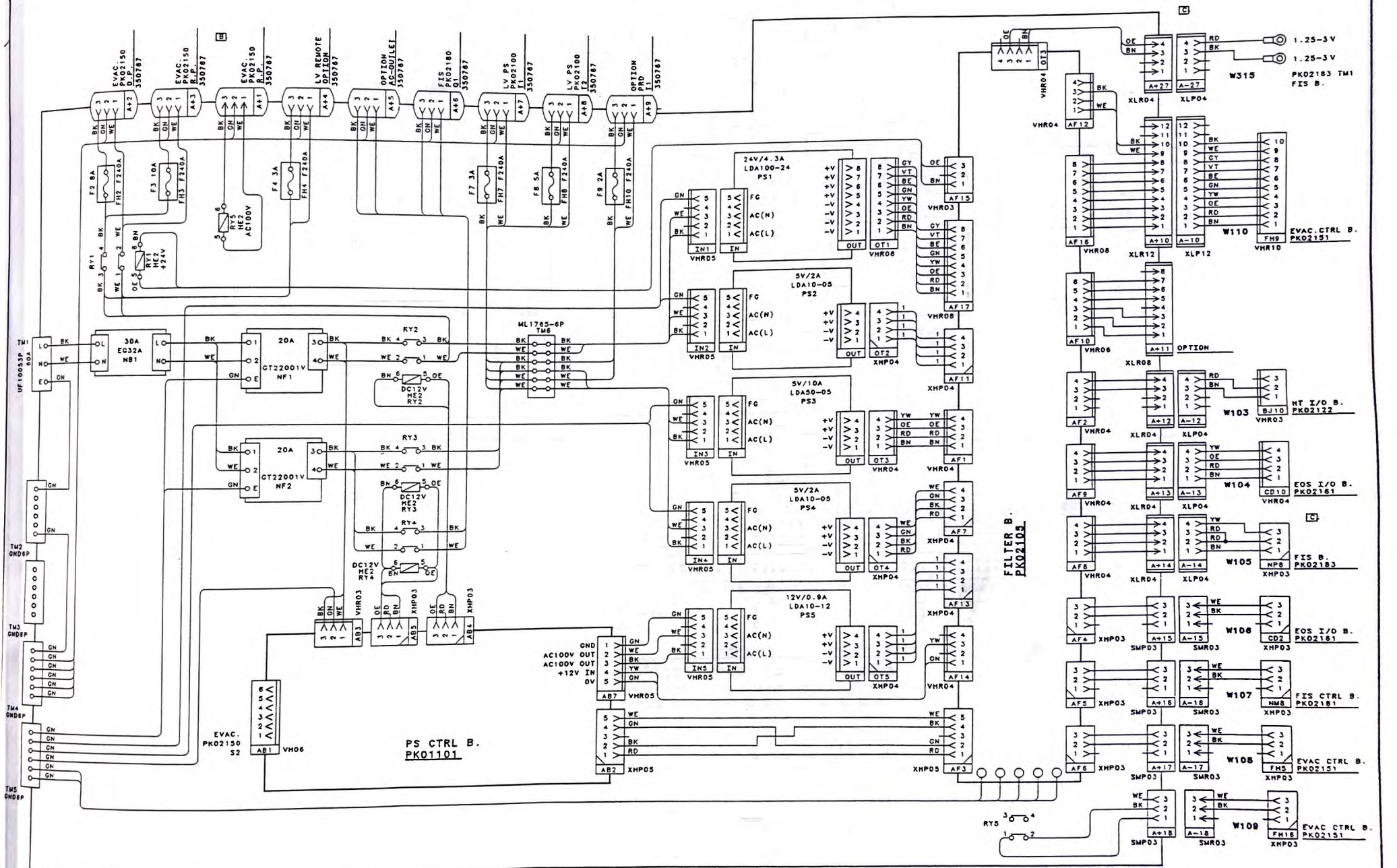
<u>PART-No.</u>	<u>DWG. No.</u>	<u>MARK</u>	<u>DRAWING NAME</u>	<u>qty.</u>	<u>PAGE</u>
72027001	02100	AA	LV-PS	5	1
72018010	01101	AB	PS CTRL B.	1	6
72027027	02102	AC	RGLTR-1 B.	1	7
72027035	02103	AD	RGLTR-2 B.	1	8
72027043	02104	AE	RGLTR-3 B.	1	9
72025822	02105	AF	PS FILTER B.	1	10
72027205	02120	BB	HV PS	2	11
72027213	02121	BH	HT DRIVE B.	2	13
72027221	02122	BJ	HT I/O B.	3	15
72026535	02130	CC	E.O.S.	1	18
72027345	02161	CD	EOS I/O B.	5	19
72027370	02137	CE	LENS DRIVE B. (JSM-5500/LV ONLY)	4	24
72027612	02132	CE	LENS DRIVE B. (JSM-5600/LV ONLY)	4	28
72027329	02133	CF	SCAN DRIVE B.	3	32
72027337	02134	CH	SCAN GEN. B.	4	35
72026543	02140	DD	DETECTOR	1	39
72027434	02143	DH	VIDEO CTRL B.	3	40
72026560	02150	FF	EVAC.	1	43
72027515	02151	FH	EVAC. CTRL B.	3	44
72027523	02152	FK	EVAC. SW B.	1	47
72027809	02180	NN	FIS	1	48
72026411	02183	NP	FIS B.	8	49
72025377	02210	LV	5600-LV	2	57
72025385	02213	FP	LV CTRL B.	2	59

PART-No.    DWG. No.    MARK    DRAWING NAME    qty.    PAGE

[OPTION]

72025563	02590	AT	5600-ACU	(ACU)	1	61
72025571	02591	AT	ATT CPU B.	(ACU)	4	62
72025725	02230	AL	5600-ALS	(ALS)	1	66
72025580	02620	BX	5600-BCX	(BCX)	2	67
72025393	02250	BE	5600-BEIW	(BEIW)	1	69
72025407	02251	BE	BEI PRE AMP. B.	(BEIW)	2	70
72019482	01240	EE	5800-DMACBL	(DMACBL)	2	72
72025644	02320	ES	5600-ESITF	(ESITF)	1	74
72025642	02321	ES	ESITF CTRL B.	(ESITF)	1	75
72025539	02610	EE	MOTOR STAGE	(MSZ)	1	76
72025946	02611	EF	Z MOTOR DRIVER	(MSZ)	1	77
72025181	02155	HH	OP PANEL	(OKB)	2	78
72025172	02156	HJ	OP B.	(OKB)	1	80
72027752	02175	LL	5600-PRD	(PRD)	3	81
72027779	02177	LN	PRD B. -1	(PRD)	3	84
72025814	02178	LN	PRD B. -2	(PRD)	3	87
72027761	02176	LP	PRD POWER B.	(PRD)	1	90
72025199	03020	QR	POWER AMP. B.	(PRD)	1	91
72025504	02600	ST	5600-SRT	(SRT)	1	92
72025491	02601	CJ	SRT B.	(SRT)	1	93





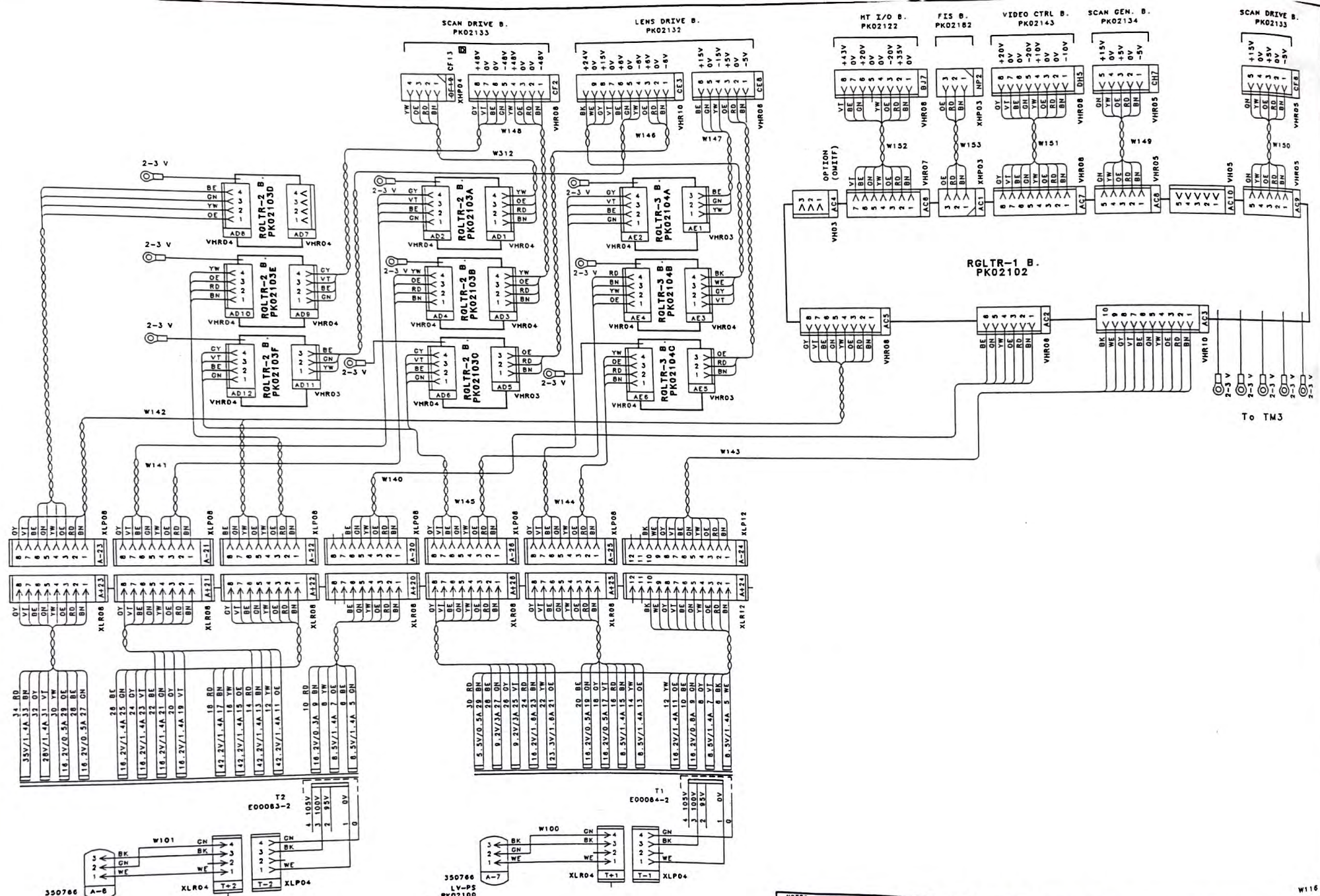
PS-1 UNIT  
W101

- D 00/08/11 Y. SATOH
- G 00/04/25 Y. SATOH
- B 99/12/27 N. S
- A 99/02/03 S. AKADO

NOTES	CHKD.	APPD.	CHKD.	DRWN. NAME	DRAWING		
6. 97/09/17 S. AKADO				T. SATOH	LV-PS		
7. 98/03/27 S. AKADO				DRWN. DATE	MARK	DRWN. NO.	PAGE
8.				94/06/16	AA	PK02100	1/5
9.							
10.							

\*PM02100\_7



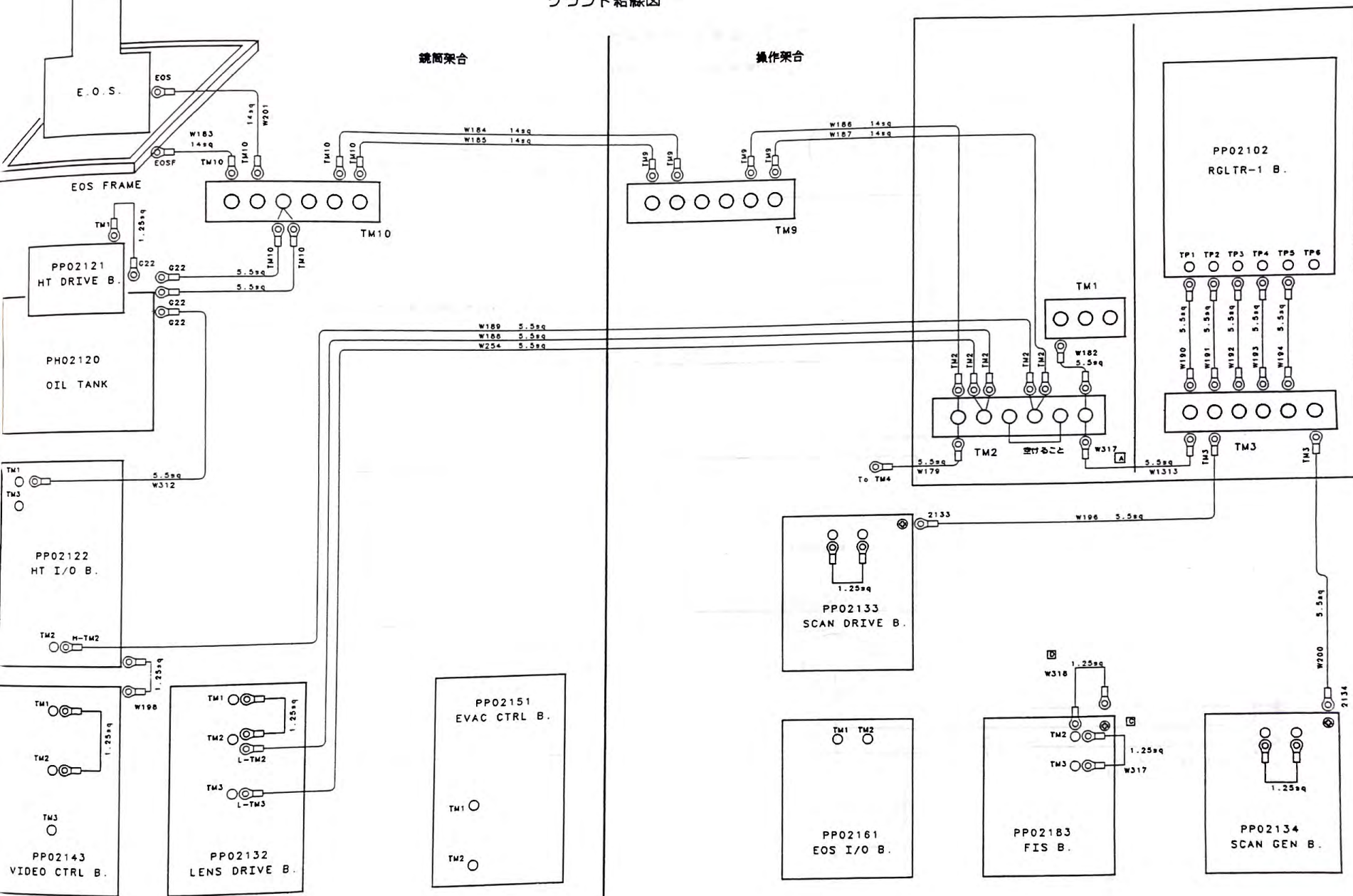


NOTES	CHKD.	APPD.	DRWN. NAME	DRAWING
6.87/08/17 S. AKADO			T. SATOH	LV-PS
7.8.03/03/27 S. AKADO			DRWN. DATE	MARK
8.			94/06/16	AA
9.				PK02100
10.				2/5

W116

Fri Aug 14 10:46:51 1993

グラウンド結線図



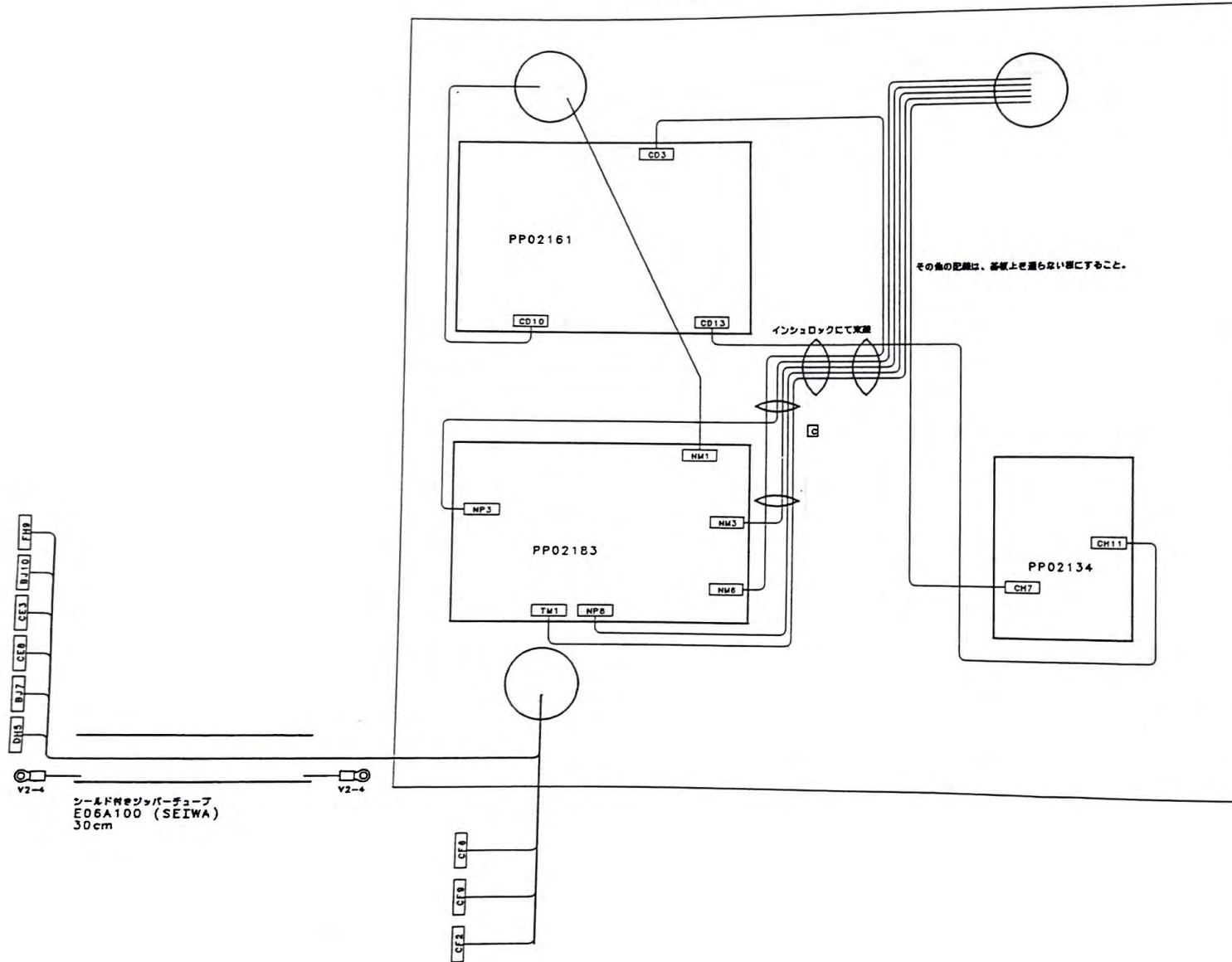
W116

NOTES	CHKD.	APPD.	DATE	DRWN. NAME	DRAWING		
6. 97/09/17 S. AKADO			須	T. SATOH	LV-PS		
7. 98/03/27 S. AKADO			須	DRWN. DATE	MARK	DRWN. NO.	PAGE
8.			008.14	04/06/16	AA	PK02100	3/5
9.			山				
10.							



# ケーブル配線図 (走査架台)

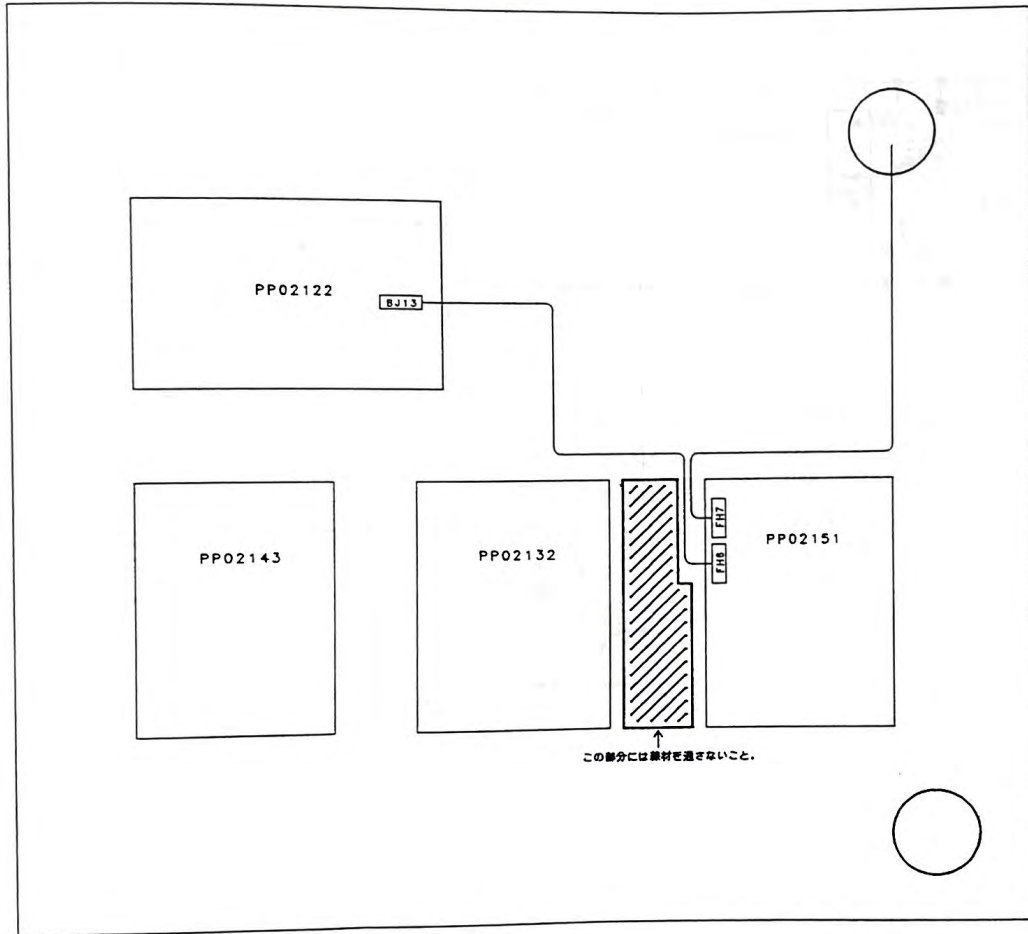
ここでは、特に異なるケーブルの引回しを記す。



NOTES	CHKD.	APPD.	CHKD.	APPD.	DRWN. NAME	DRAWING
6. 97/08/17 S. AKADO					T. SATOH	LV-PS
7. 98/03/27 S. AKADO					DRWN. DATE	MARK
8.					94/06/16	AA
9.						PK02100
10.						4/5

ケーブル配線図 (鏡筒架台側)

ここでは、特に重要なケーブルの引き回しを記す。



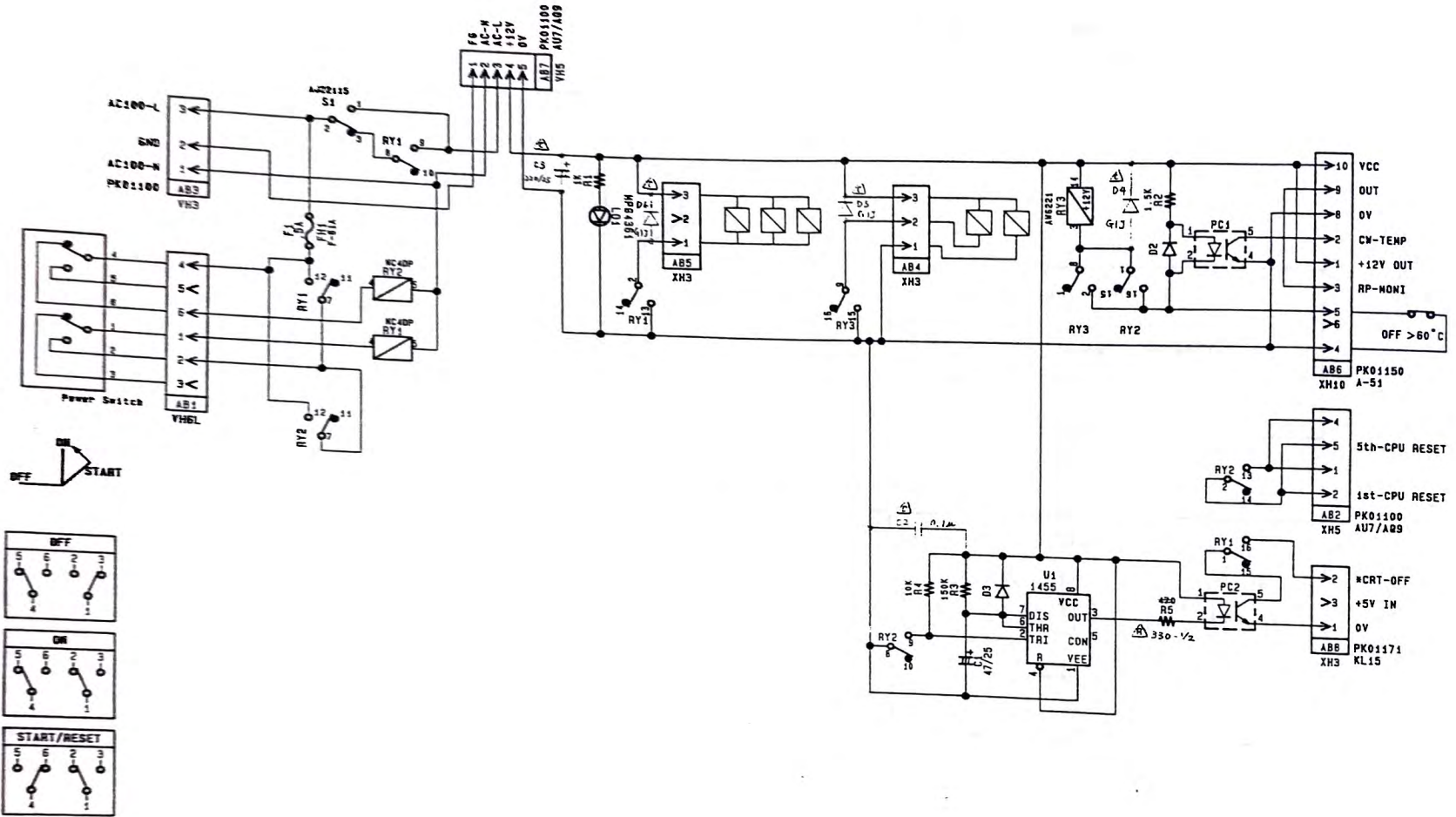
この部分には材料を過ぎないこと。

その他の配線は、看板上で漏らさない様にする事。  
ケーブル固定が困難な場合、インシュロックを利用すること。

須  
90.4.25  
崎

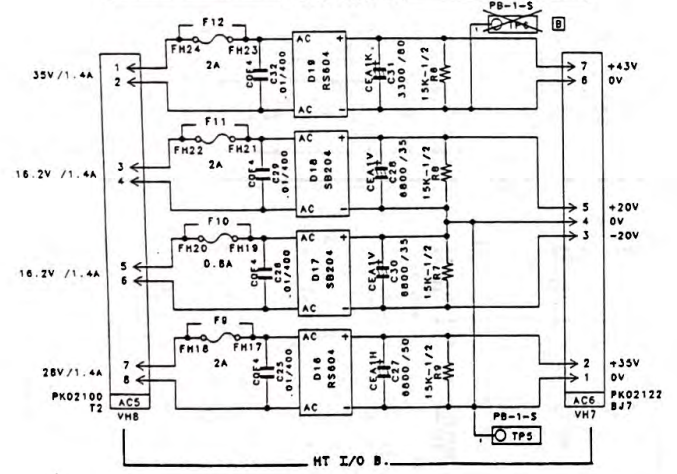
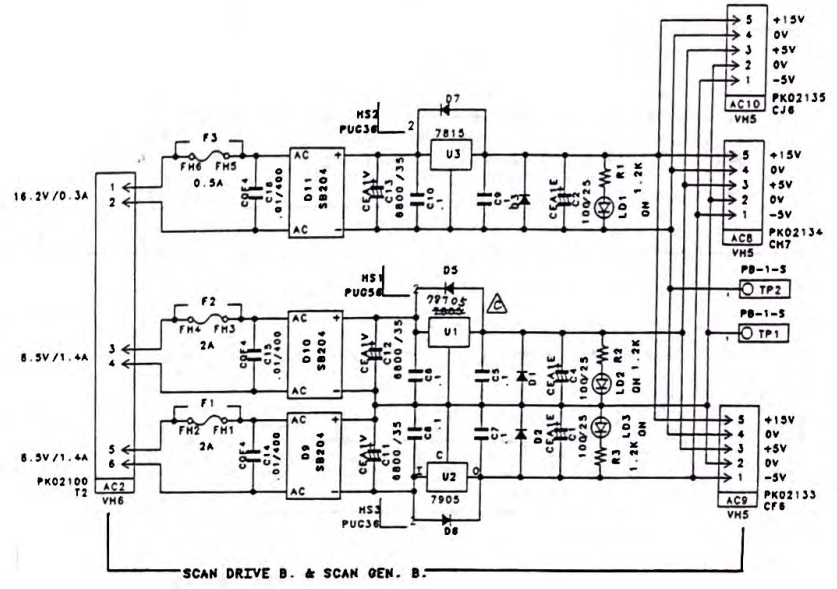
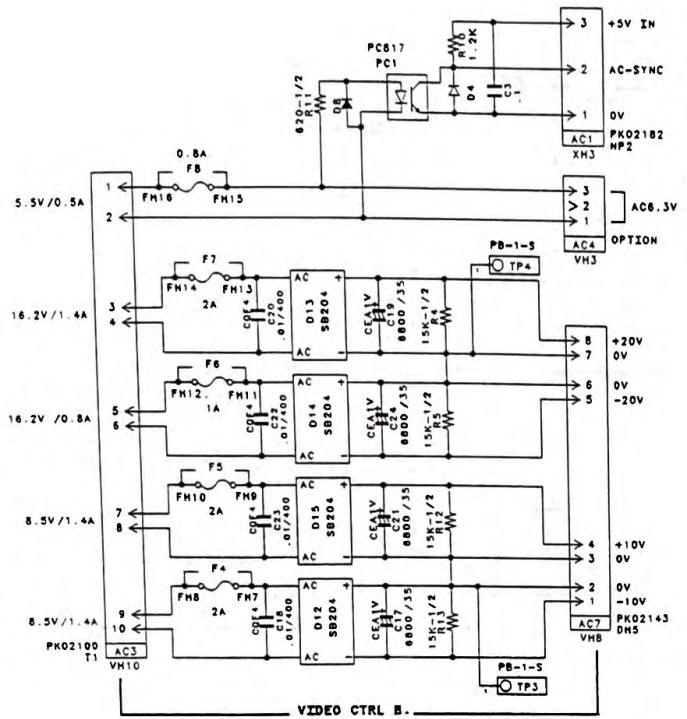
NOTES	CHKD.	APPD.	CHKD.	APPD.	DRWN. NAME	DRAWING		
6. 97/09/17 S. AKADO	/	/	赤	赤	T. SATOH	LV-PS		
7. 98/03/27 S. AKADO	/	/	04.25	04.25	DRWN. DATE	MARK	DRWN. NO.	PAGE
8.			土	土	94/06/16	AA	PK02100	5/5
9.								
10.								





96/10/28 N.S.  
 25/11/25 N.S.  
 93/01/12 T.S.

NOTES		DWG. NAME	TITLE
1	91/03/01 T.SATOH	T. SATOH	PS CTRL B.
2	91/11/18 T.SATOH		
3		DWG. DATE	MARK DWG. NO
4		90/09/12	AB PK01101
5			1/1



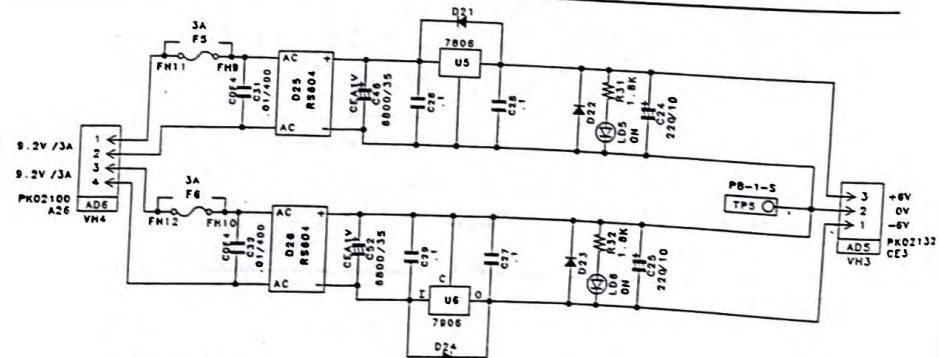
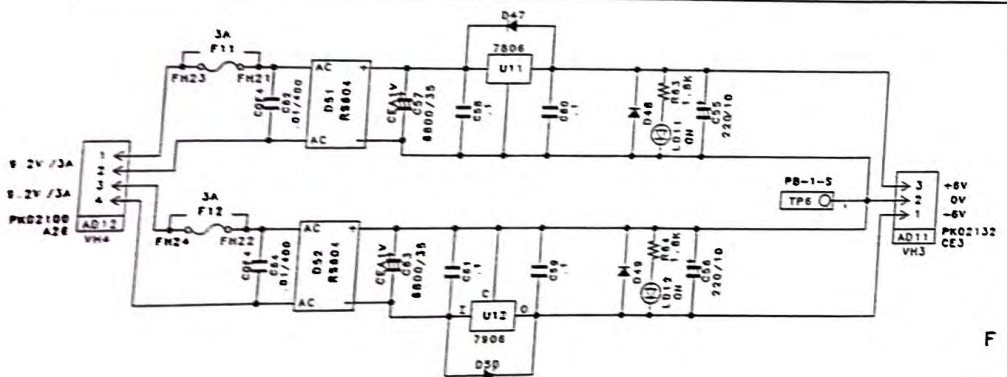
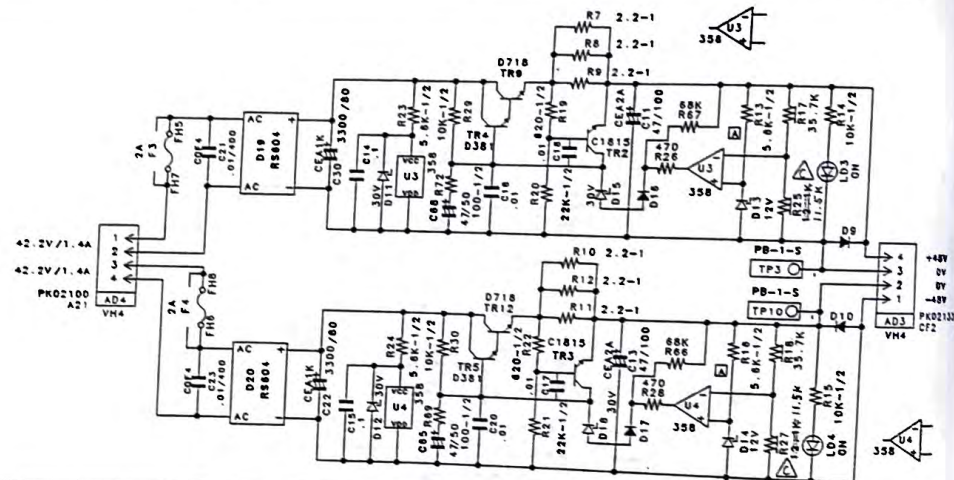
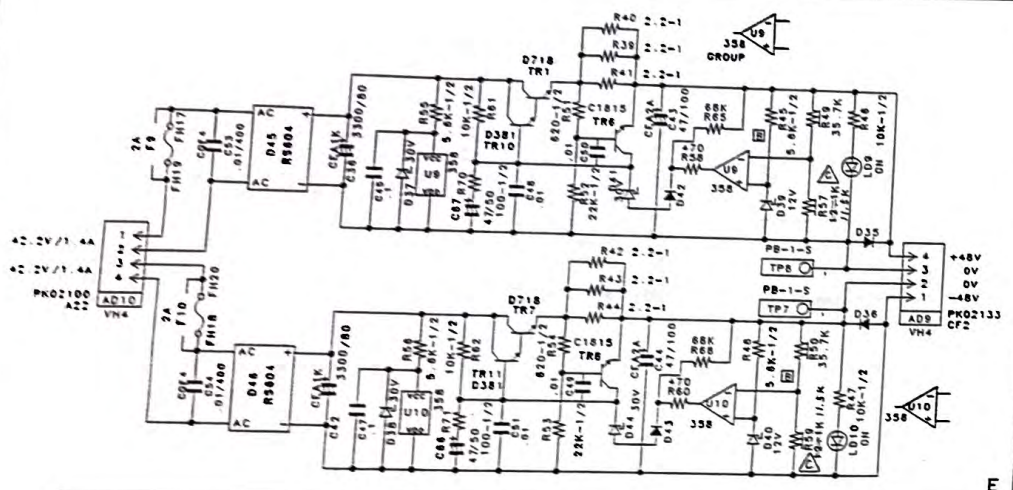
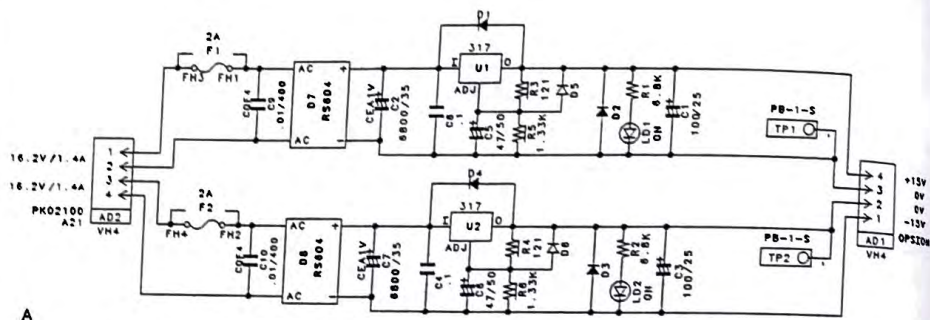
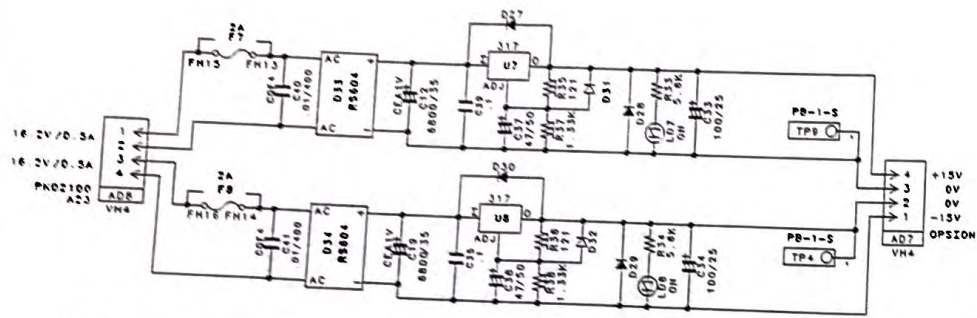
98/03/20 S.AKADO 99/10/13 M.S.S.Y

NOTES	CHKD.	APPD.	CHKD.	APPD.	DRWN. NAME	DRAWING		
1. 95/06/10 T.SATOH					T.SATOH	RGLTR-1 B.		
2. 96/12/12 S.AKADO					DRWN. DATE	MARK	DRWN. NO.	PAGE
					94/05/20	AC	PK02102	1/1

\*PM02102\_2  
\*PP02102\_2

Mon Mar 30 15:08:18 1998

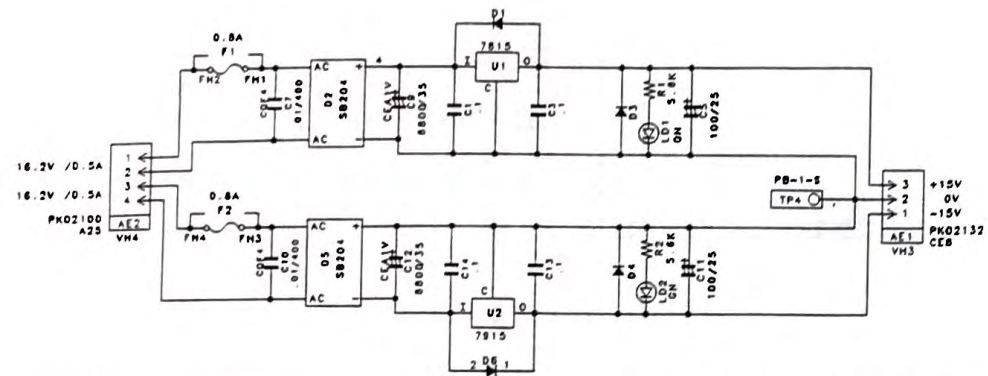




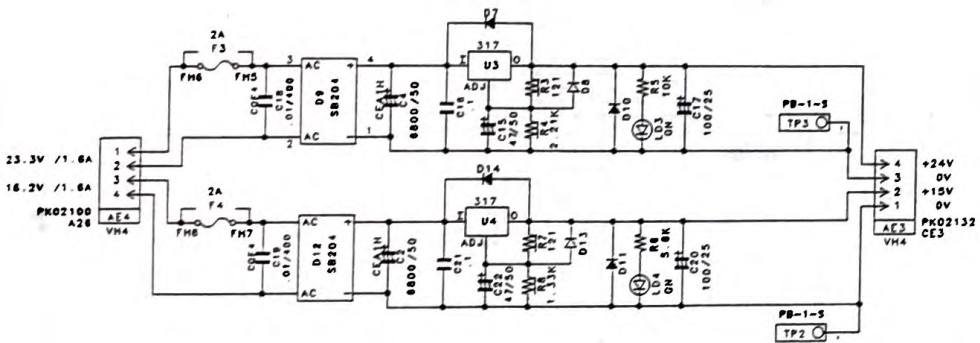
- ☐ 98/03/27 S. AKADO
- ☐ 98/01/30 S. AKADO

NOTES	CHKD.	APPD.	CHKD.	APPD.	DRWN. NAME	DRAWING	
1. 95/08/10 T. SATOH					T. SATOH	RGLTR-2 B.	
2. 98/12/12 S. AKADO					DRWN. DATE	MARK	DRWN. NO.
					94/05/20	AD	PK02103
							1/

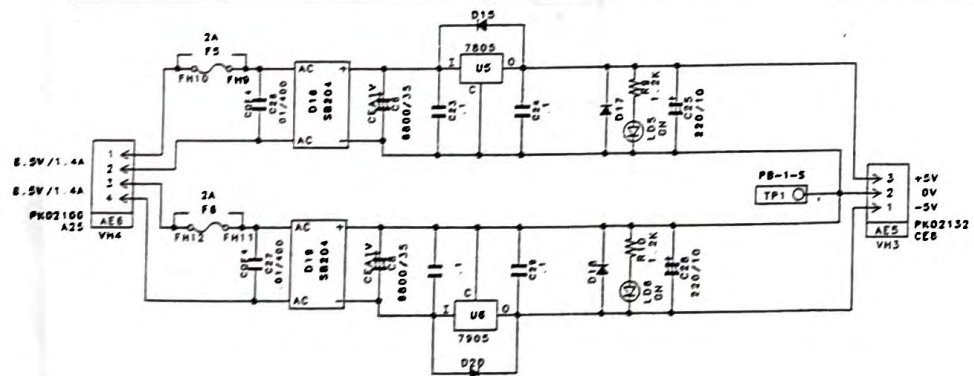
△/oo/64102 N.S. T.N. I.T.S.



A



B



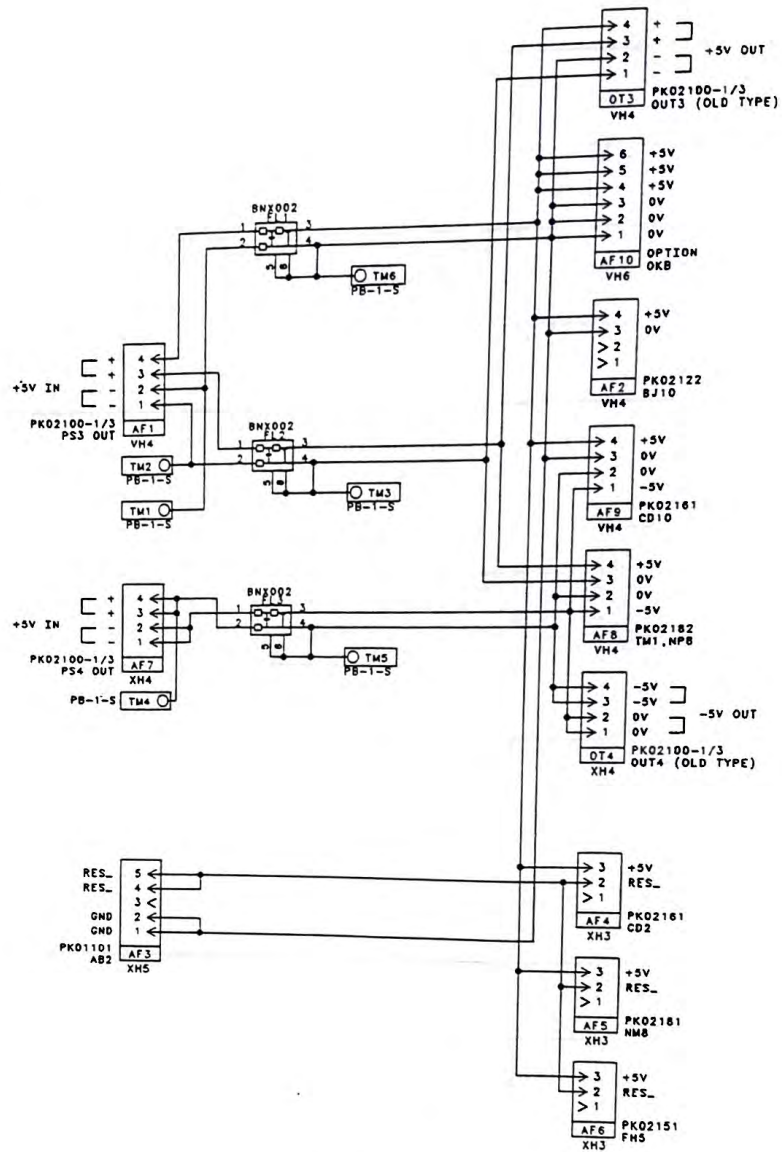
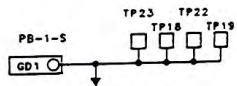
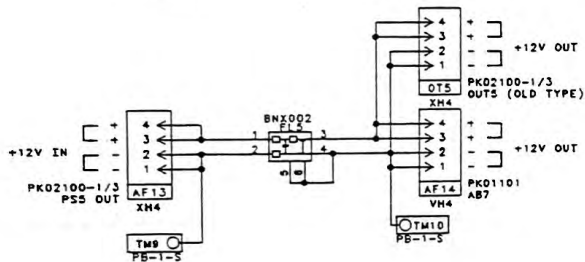
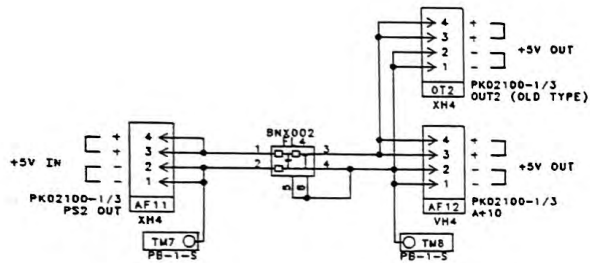
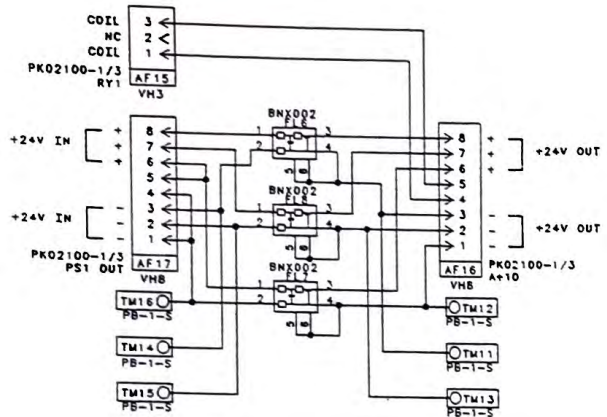
C

\*PK0210A\_1  
\*PK0210A\_1

REV	DATE	BY	CHKD	APPD	DESCR	APPD	DATE	DRAWING			
1	95/12/17	S. AKAO						T SATOH	RGLTR-3 B.		
								DATE	SCALE	NO.	PAGE
							95/06/10	AE	PK02104		1/1

Tue Jun 7 13:24:34 1997



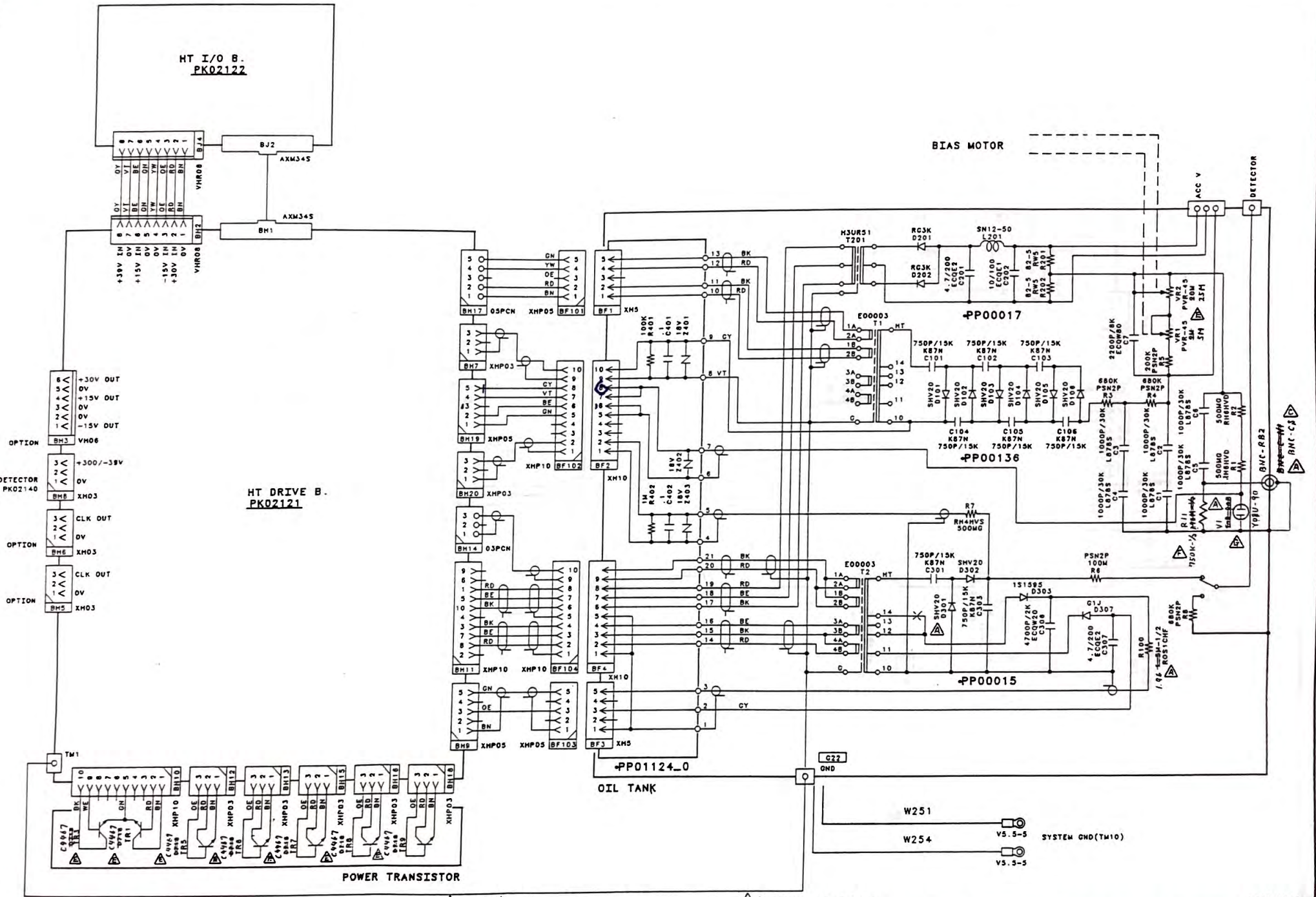


NOTES				CHKD.	APPD.	CHKD.	APPD.	DRWN. NAME	DRAWING	
1.	97/07/11	S. AKADO						S. AKADO	PS FILTER B.	
2.	97/10/28	S. AKADO						DRWN. DATE	MARK	DRWN. NO.
								97/07/11	AF	PK02105



HT I/O B.  
PK02122

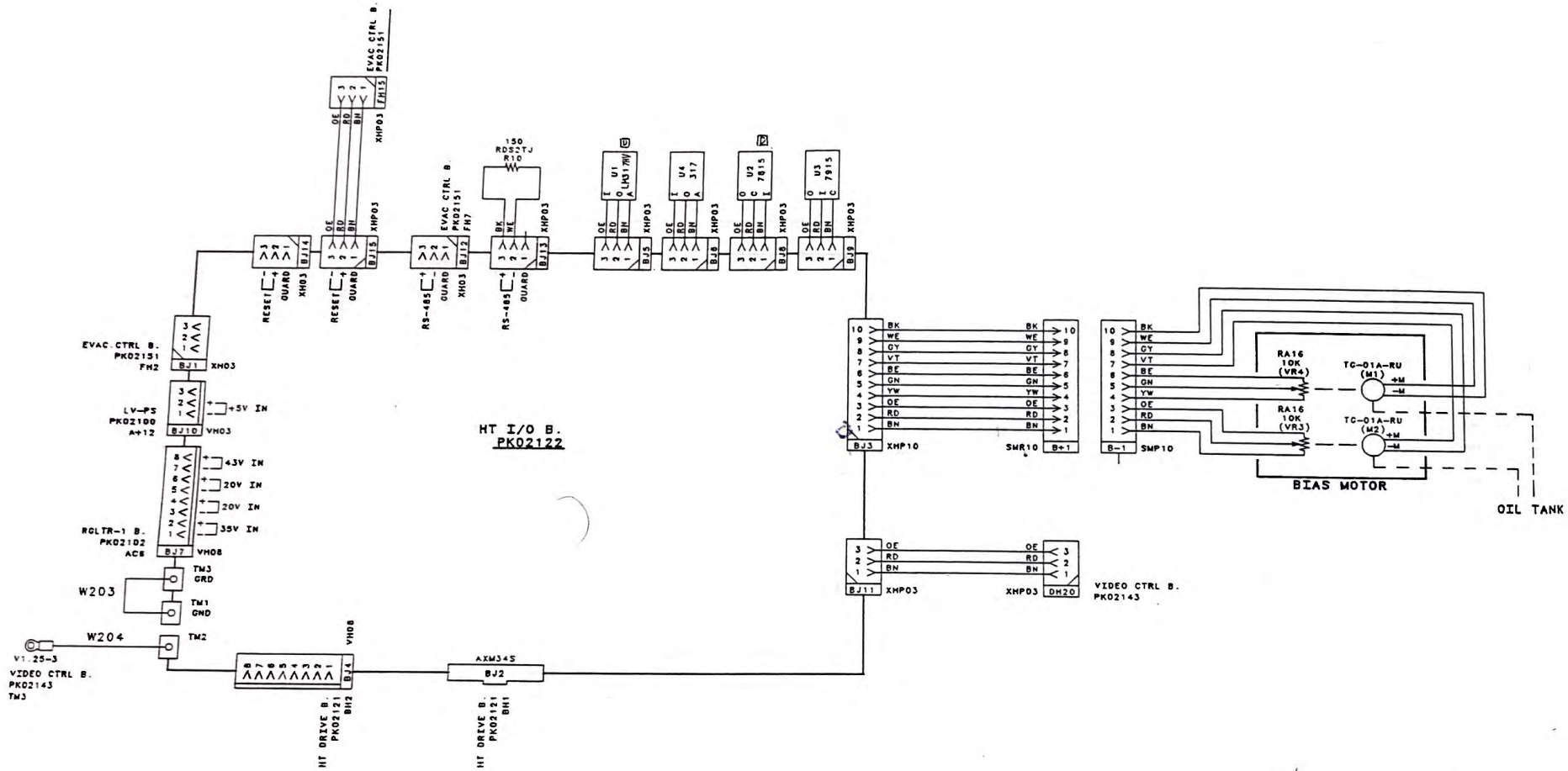
HT DRIVE B.  
PK02121



- W250  $\Delta$  99/07/26 N.S
- $\Delta$  98/12/15 N.S S.Y.T.N S.Ahmed
- $\Delta$  98/12/01 N.S S.Y.T.N S.Ahmed
- $\Delta$  98-11-18 S.Ahmed (2/2) T.C.A.C
- $\Delta$  98/10/24 N.S H2
- $\Delta$  98/09/29 N.S S.Y.M.S

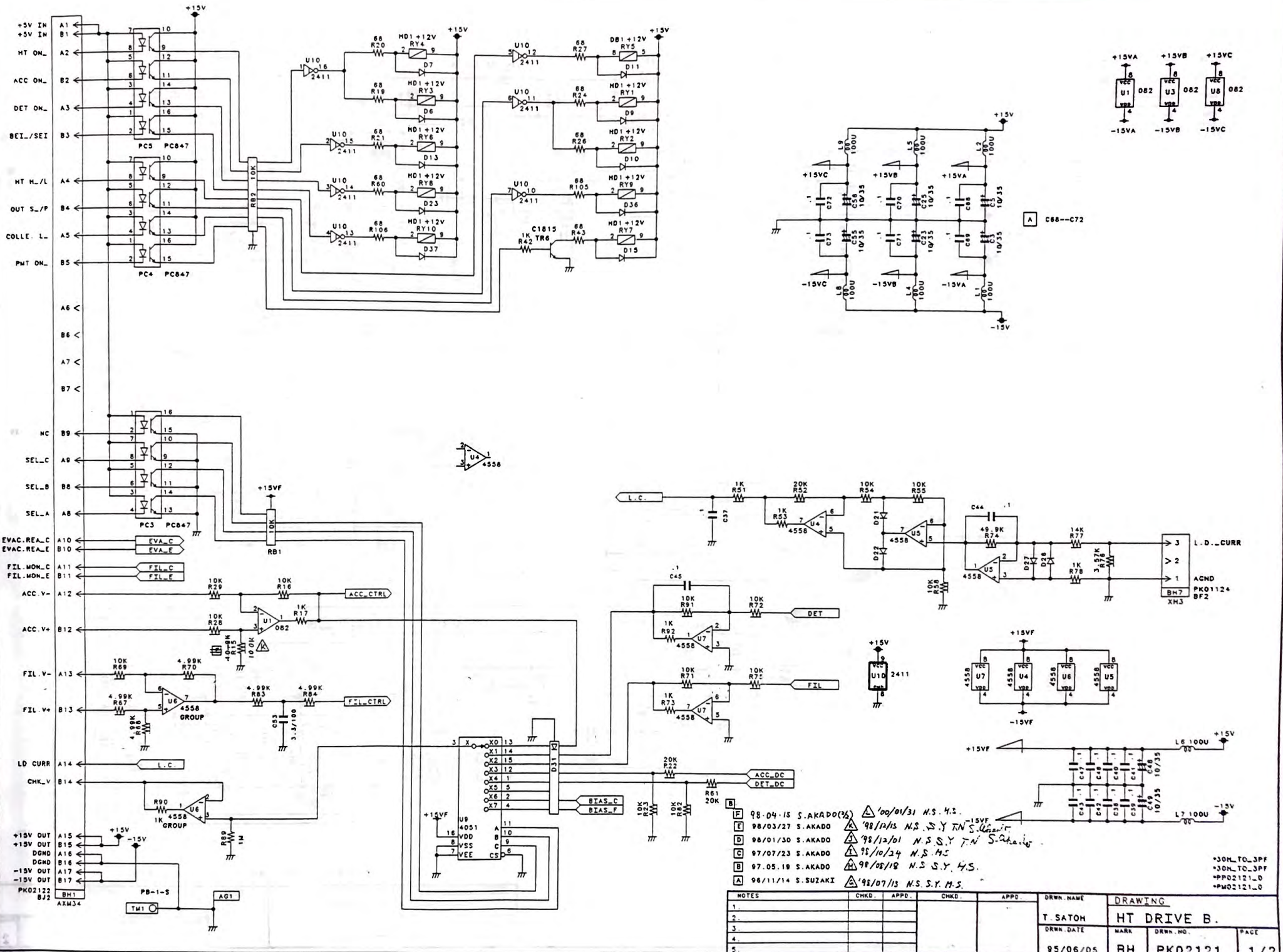
\*P02120\_6

NOTES	CHKD.	APPD.	CHKD.	APPD.	DRWN. NAME	DRAWING
8. 98/03/27 S. AKADO					T. SATOH	HV PS
7.					DRWN. DATE	MARK
6.					94/07/06	BB
5. 97/08/30 S. AKADO						PK02120
						1/2



NOTES	CHKD.	APPD.	CHKD.	APPD.	DRWN. NAME	DRAWING	
6. 98/03/27 S. AKADO					T. SATOH	HV PS	
7.					DRWN. DATE	MARK	DRWN. NO.
8.					94/07/06	BB	PK02120
9.							
3. 97/09/30 S. AKADO							

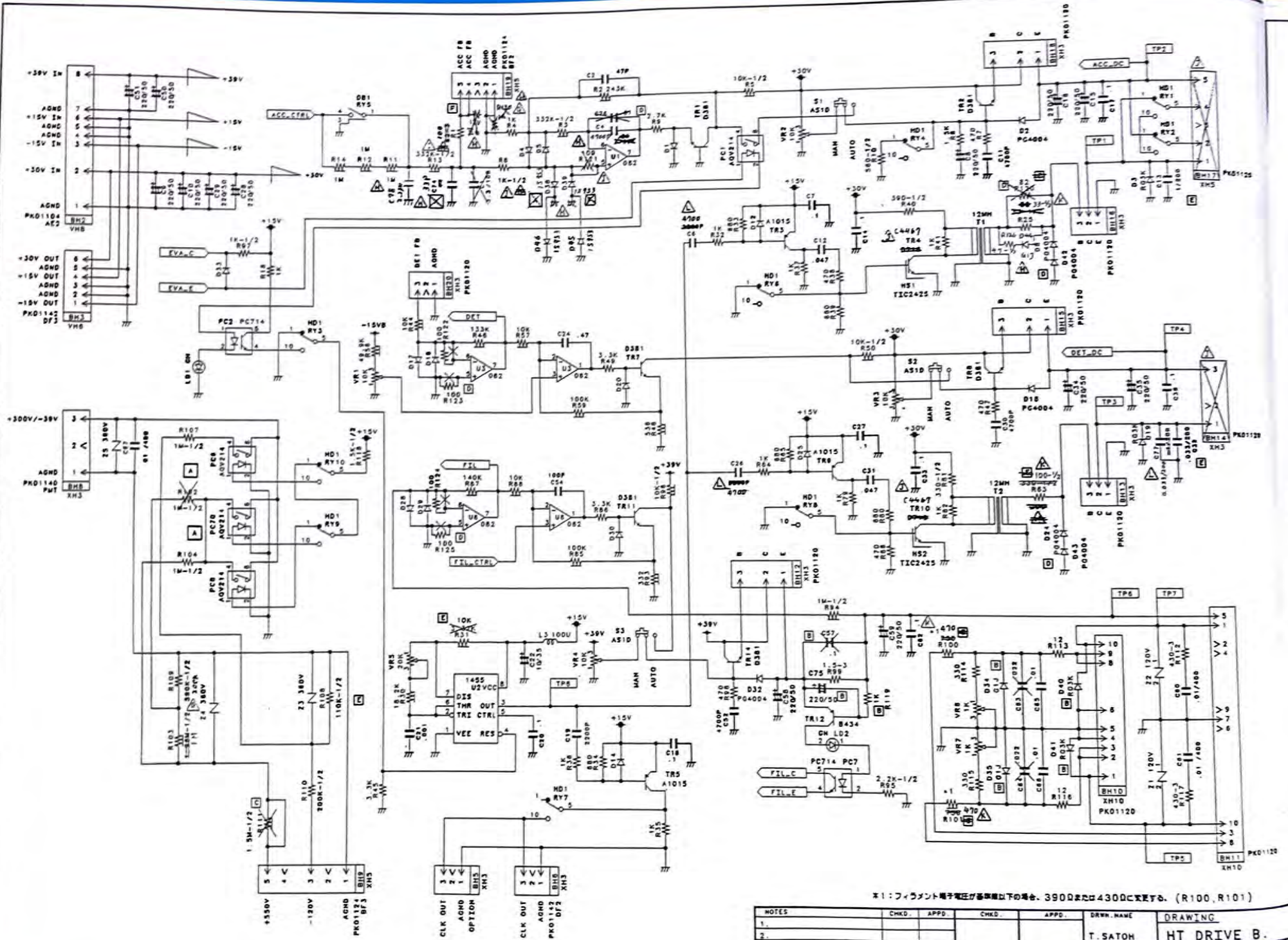




- [E] 98-04-15 S. AKADO (S) 98/01/31 N.S. S.Y.
- [F] 98-03-27 S. AKADO 98/12/15 N.S. S.Y. RN S. Uchiyama
- [D] 98-01-30 S. AKADO 98/12/01 N.S. S.Y. T.N. S. Arai
- [C] 97-07-23 S. AKADO 98/10/24 N.S. H.S.
- [B] 97-05-19 S. AKADO 98/08/18 N.S. S.Y. H.S.
- [A] 96/11/14 S. SUZAKI 98/07/13 N.S. S.Y. H.S.

NOTES	CHKD.	APPD.	CHKD.	APPD.	DRWN. NAME	DRAWING		
1.					T SATOH	HT DRIVE B.		
2.					DRWN. DATE	MARK	DRWN. NO.	PAGE
3.					95/06/05	BH	PK02121	1/2
4.								
5.								

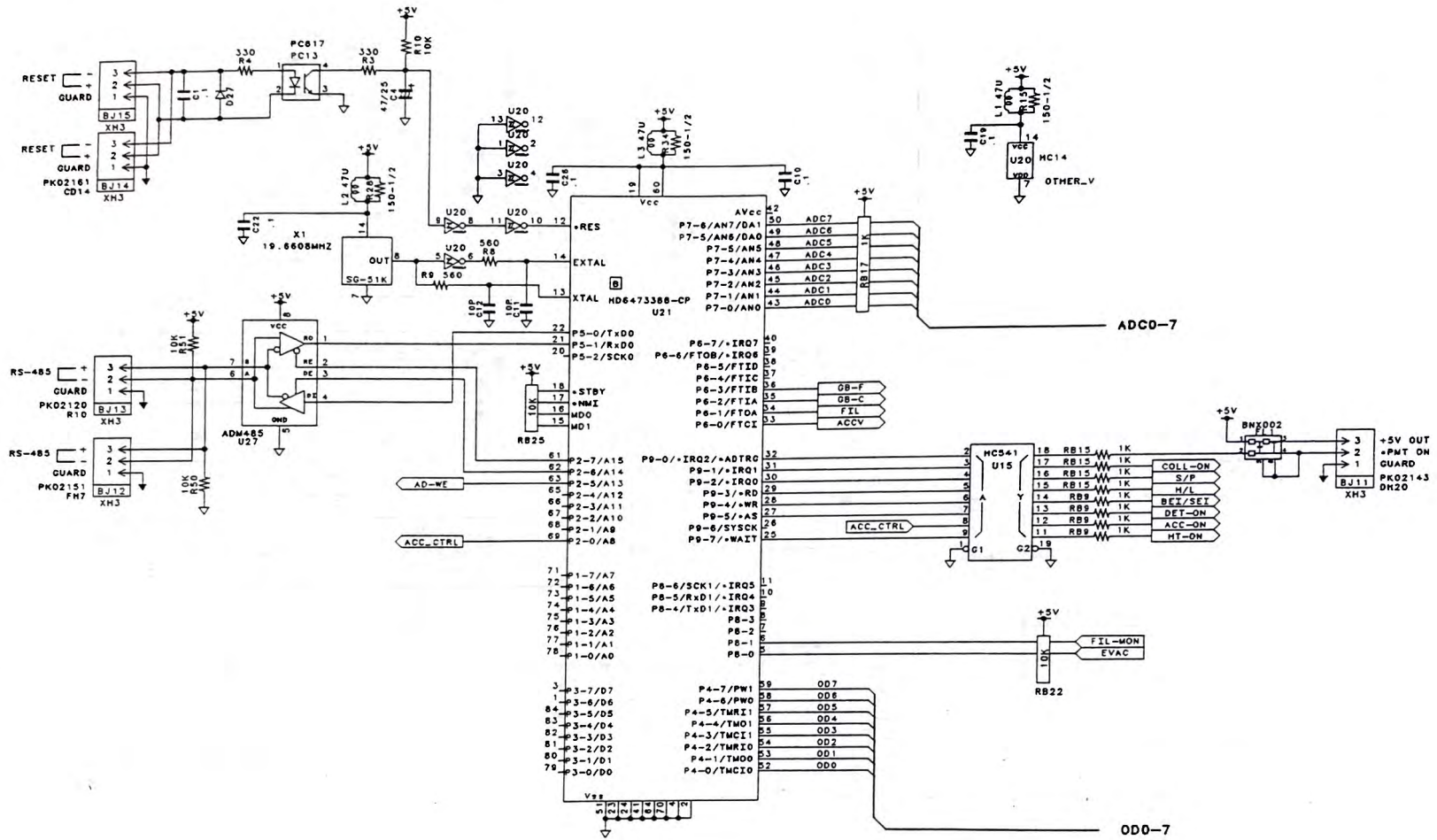




※1: フォトリソグラフィ加工精度が基準値以下の場合、390Ωまたは430Ωに変更する。(R100, R101)

NOTES	CHKD.		APPD.		DRWN. NAME	DRAWING	
	1.	2.	1.	2.		T. SATOH	HT DRIVE B.
1.							
2.							
3.							
4.							
					95/06/05	BH	PK02121

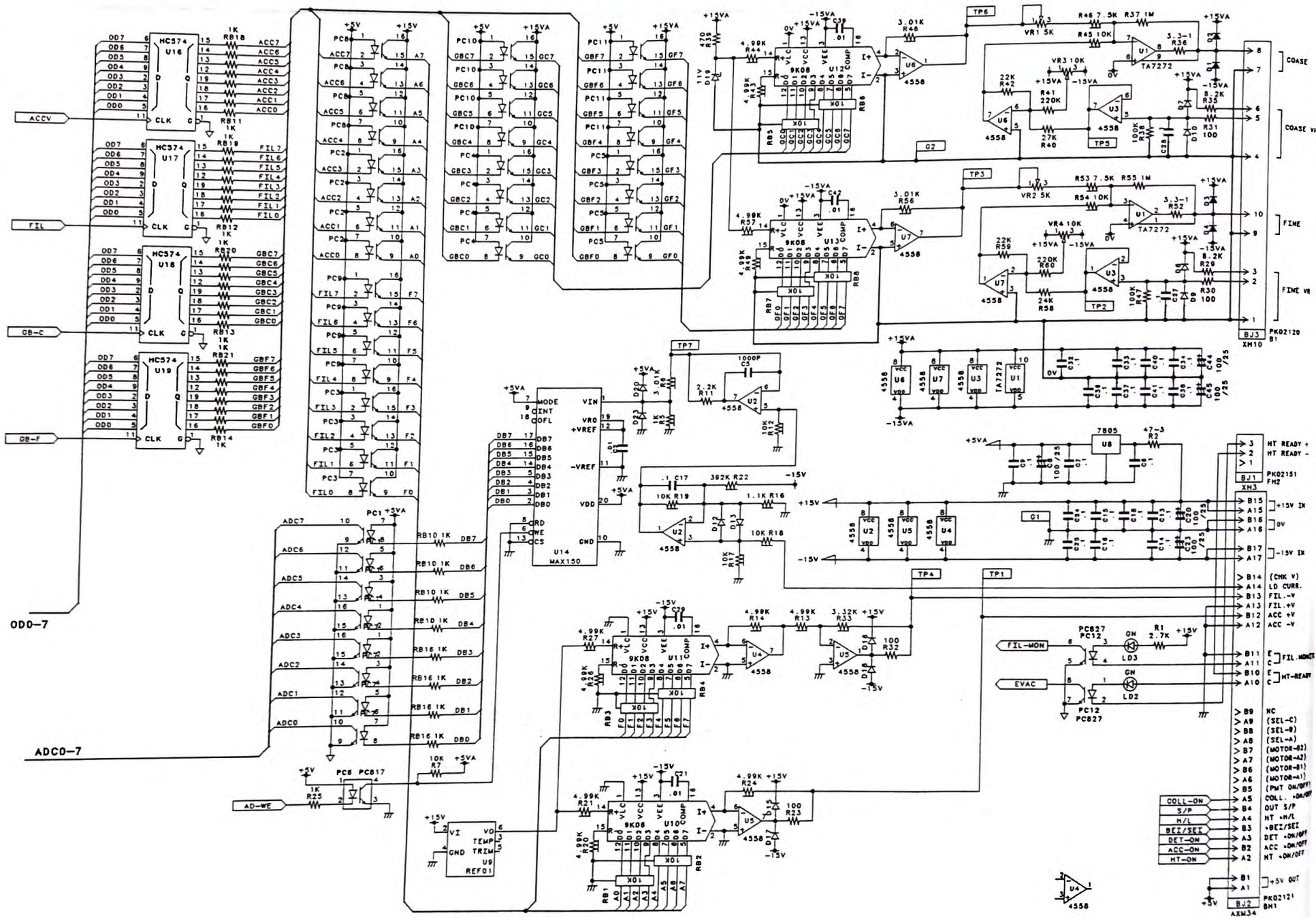




C 98.11.18 2 2nd (2s) T.797  
 B 98/03/30 S.AKADO  
 A 98/01/30 S.AKADO

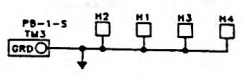
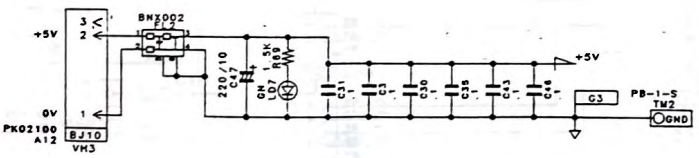
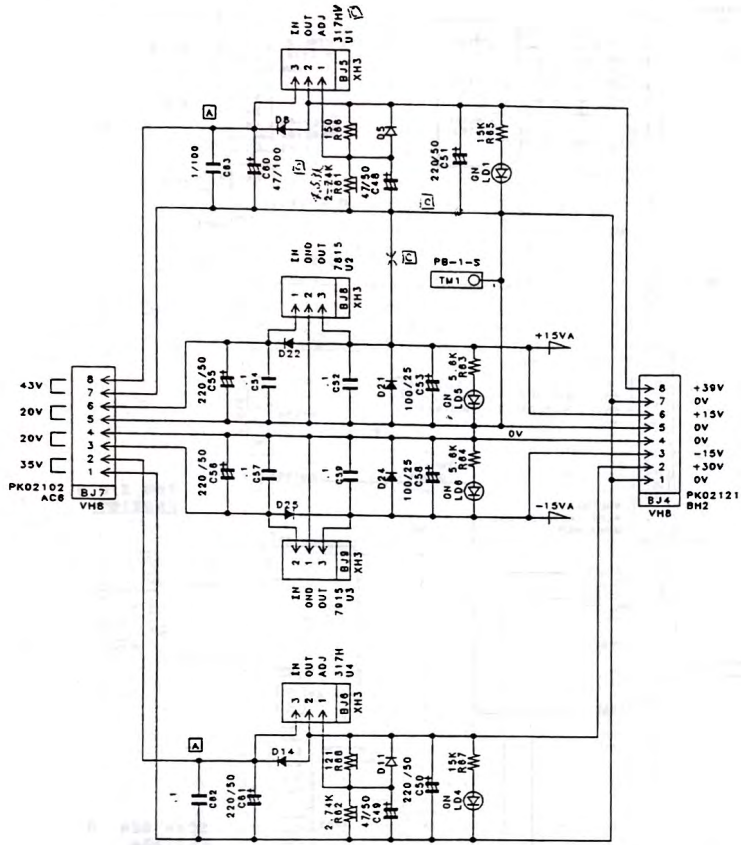
NOTES	CHKD	APPD	CHKD	APPD	DRWN. NAME	DRAWING	
1. 98/01/09 T.KIMI/IWA					T SATOH	HT I/O B.	
2. 98/12/12 S.AKADO					DRWN. DATE	DRWN. NO.	PAGE
3. 97/07/08 S.AKADO					95/05/23	BJ	PK02122 1/3
4. 97/07/18 S.AKADO							

\*PM02122-4  
\*PP02122-4

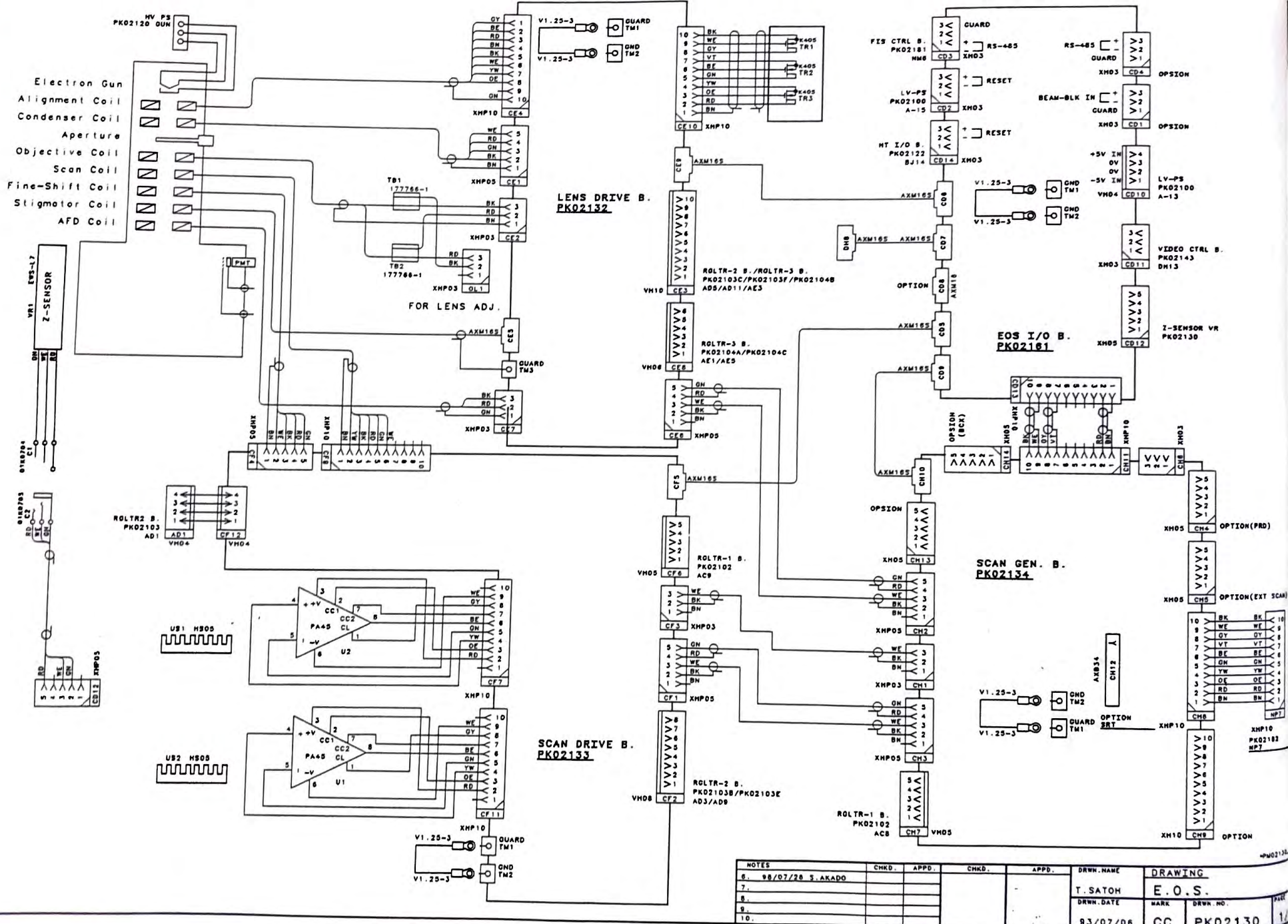


NOTES	CHKD.	APPD.	CHKD.	APPD.	DRWN. NAME	DRAWING
1. 96/01/09 T. KIMIJIWA					T. SATOH	HT I/O B.
2. 96/12/12 S. AKADO					DRWN. DATE	MARK
3. 97/07/08 S. AKADO					95/05/23	BJ PK02122
4. 97/07/18 S. AKADO						



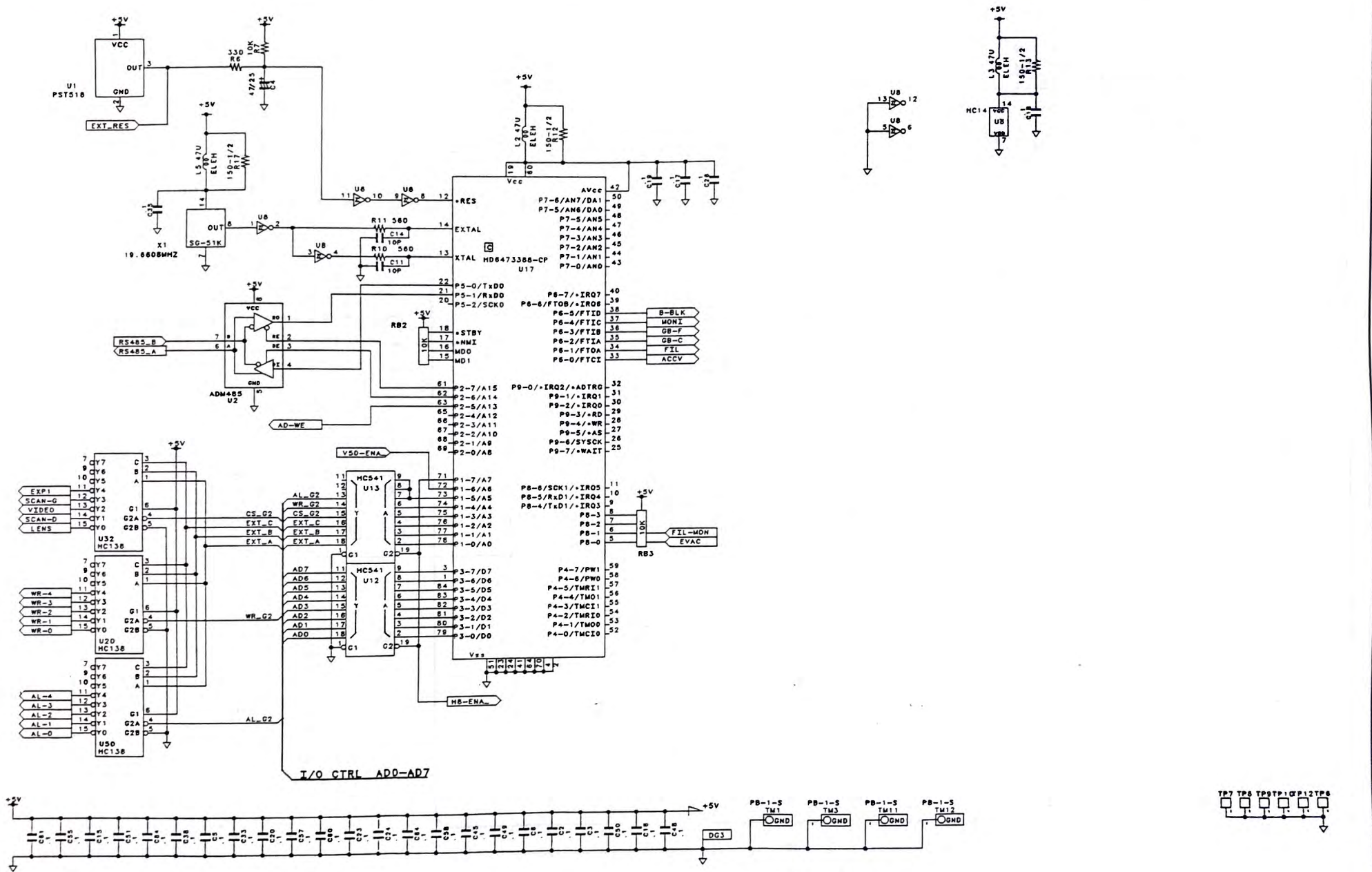


NOTES	CHKD.	APPD.	CHKD.	APPD.	DRWN. NAME	DRAWING		
1. 96/01/09 T. KIMIJIMA					T. SATOH	HT I/O B.		
2. 96/12/12 S. AKADO					DRWN. DATE	MARR	DRWN. NO.	PAGE
3. 97/07/08 S. AKADO					95/05/23	BJ	PK02122	3/3
4. 97/07/18 S. AKADO								

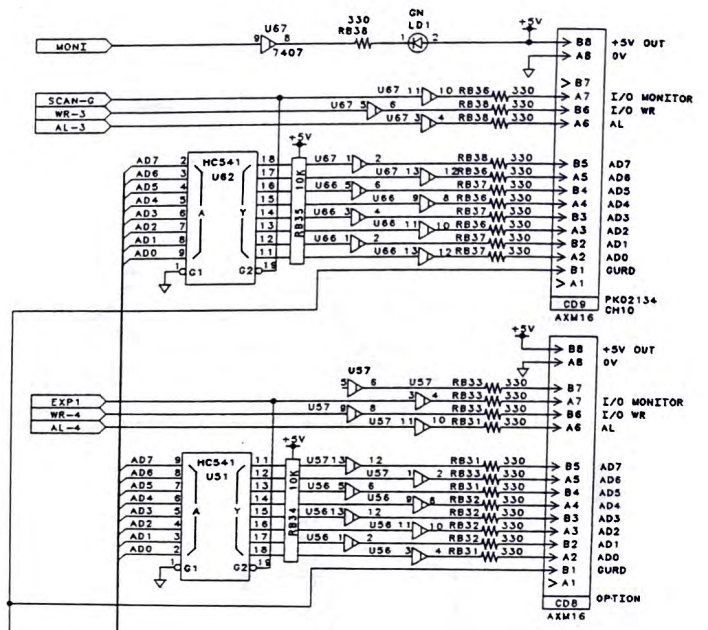
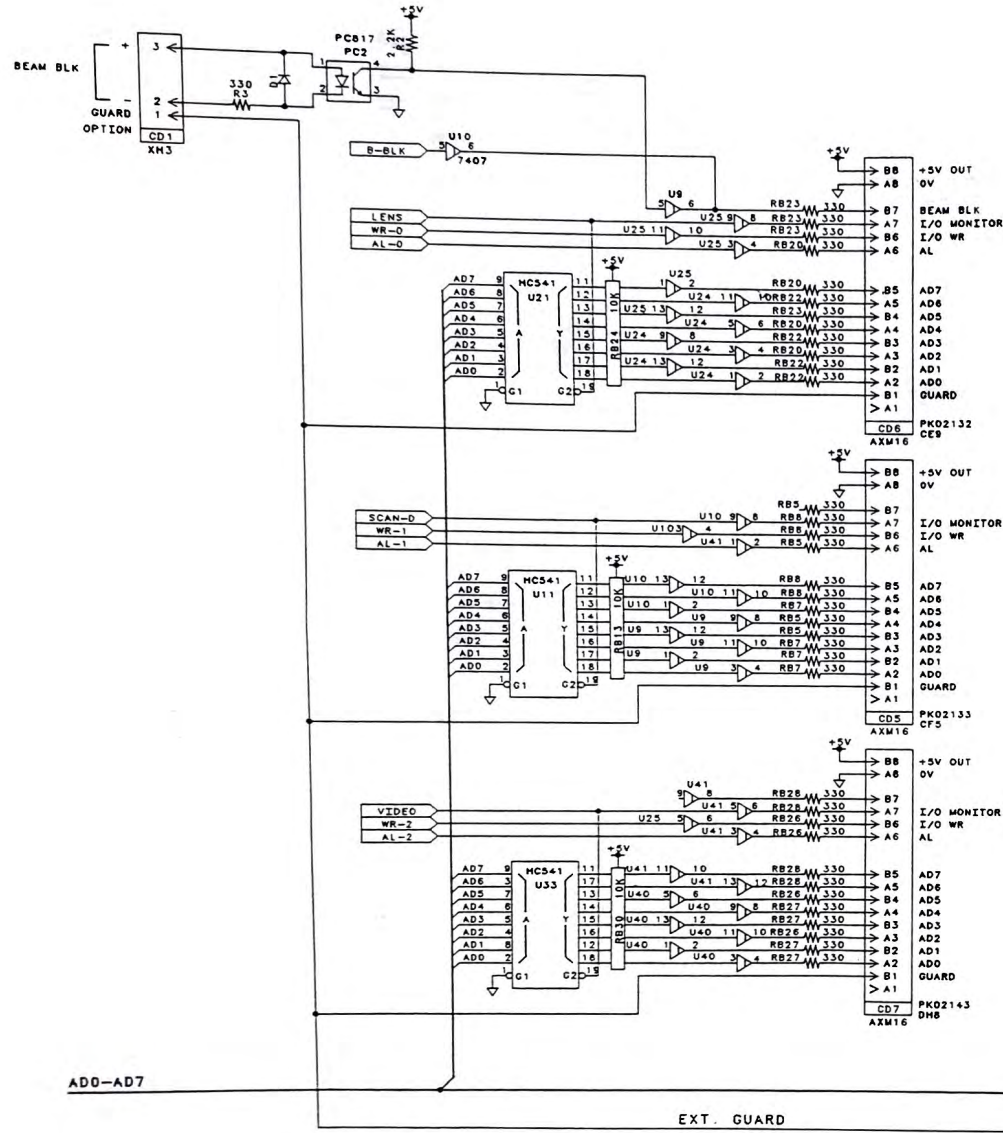


NOTES	CHKD.	APPD.	CHKD.	APPD.	DRWN. NAME	DRAWING
6. 98/07/28 S. AKADO					T. SATOH	E.O.S.
7.					DRWN. DATE	MARK
8.					93/07/06	CC
9.						PK02130
10.						





G B A	98/03/30 S.AKADO						*PMD2161-2
	98/01/30 S.AKADO						*PMD2161-2
	97/12/24 S.AKADO						
NOTES	CHKD.	APPD.	CHKD.	APPD.	DRWN. NAME	DRAWING	
1. 96/01/19 S.AKADO					S.AKADO	EOS I/O B.	
2. 97/10/27 S.AKADO					DRWN. DATE	MAX	DRWN. NO.
					95/05/11	CD	PK02161
							PAGE
							1/5

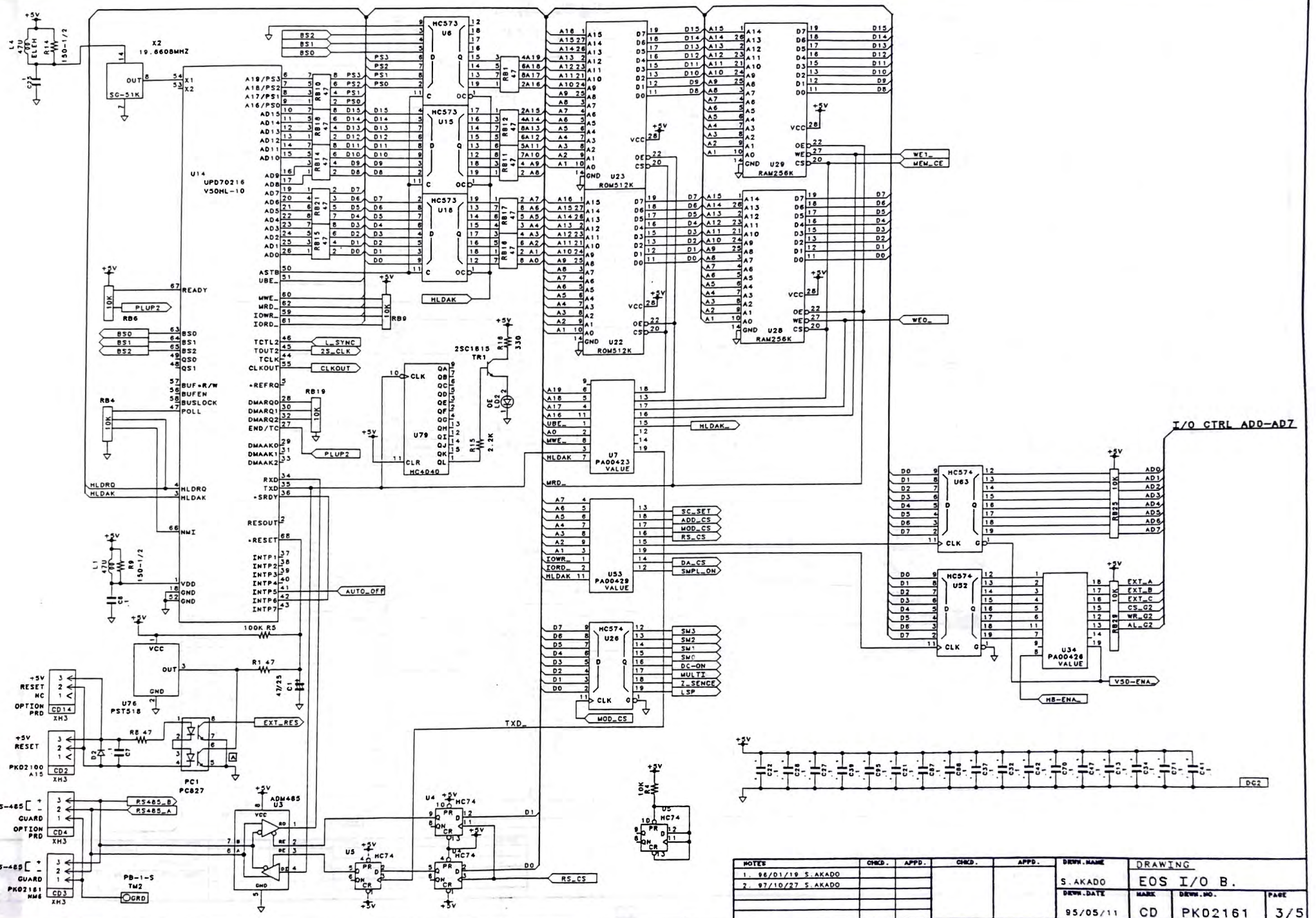


ADD-AD7

EXT. GUARD

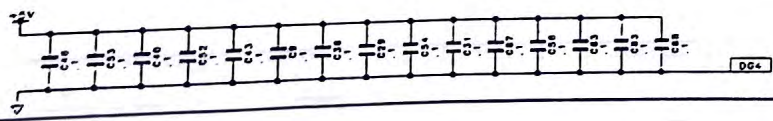
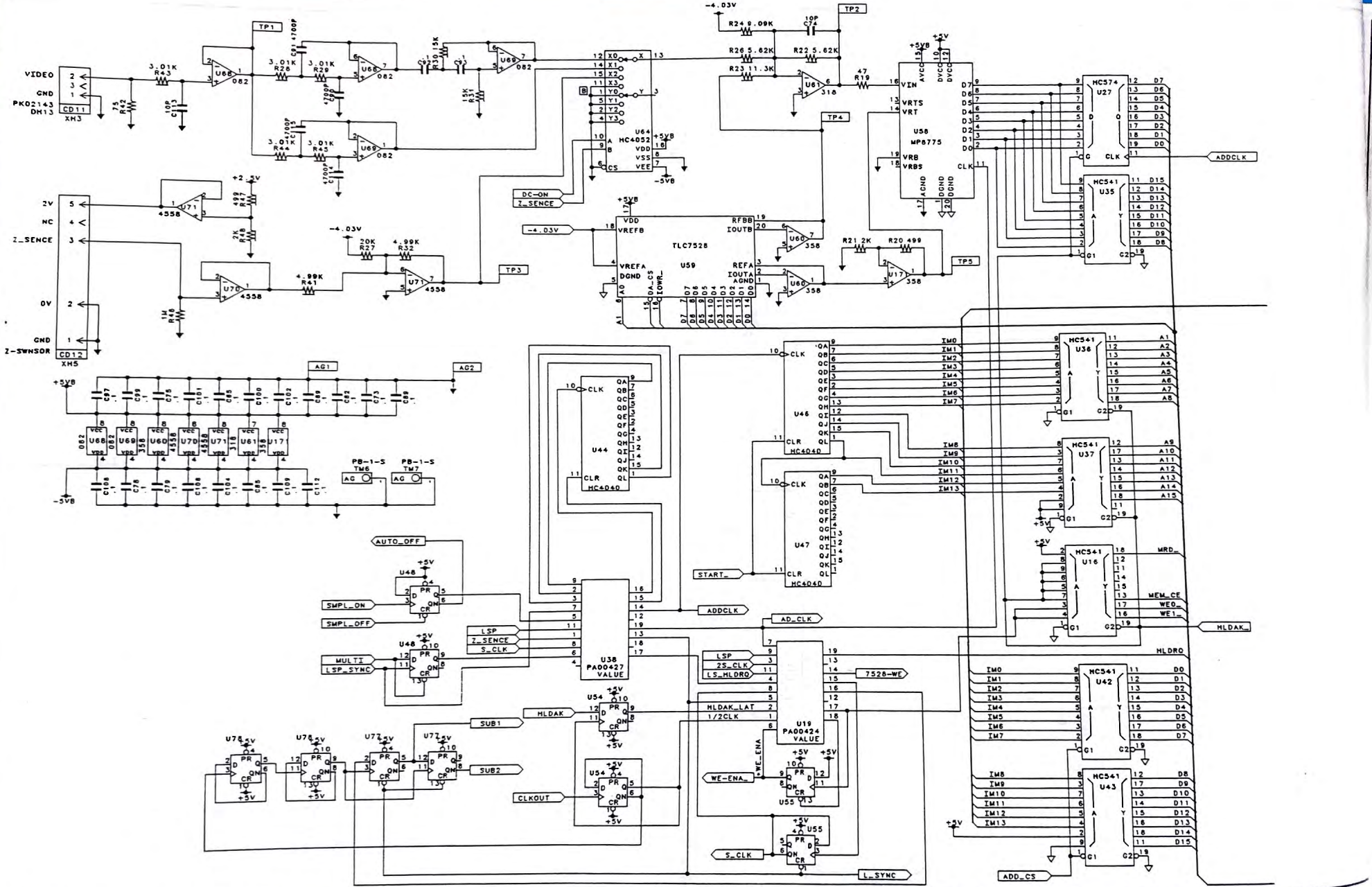
NOTES	CHKD.	APPD.	CHKD.	APPD.	DESN. NAME	DRAWING	
1 98/01/19 S. AKADO					S. AKADO	EOS I/O B.	
2 97/10/27 S. AKADO					DESN. DATE	NAME	DESN. NO.
					95/05/11	CD	PK02161





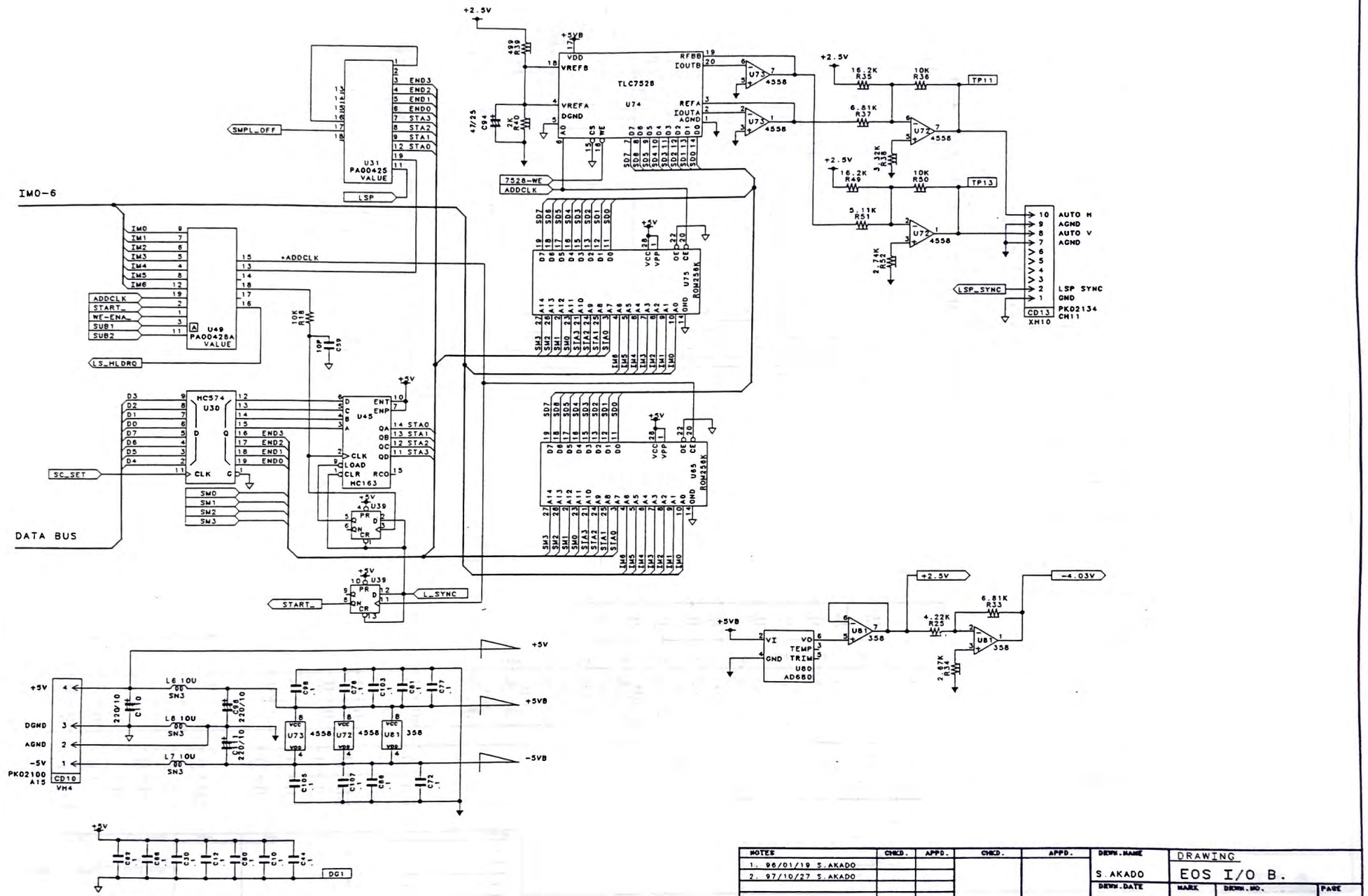
NOTES	CHGD.	APPD.	CHGD.	APPD.	DRWN. NAME	DRAWING
1. 98/01/19 S.AKADO					S. AKADO	EOS I/O B.
2. 97/10/27 S.AKADO					DRWN. DATE	MARK
					95/05/11	CD
						PK02161
						3/5



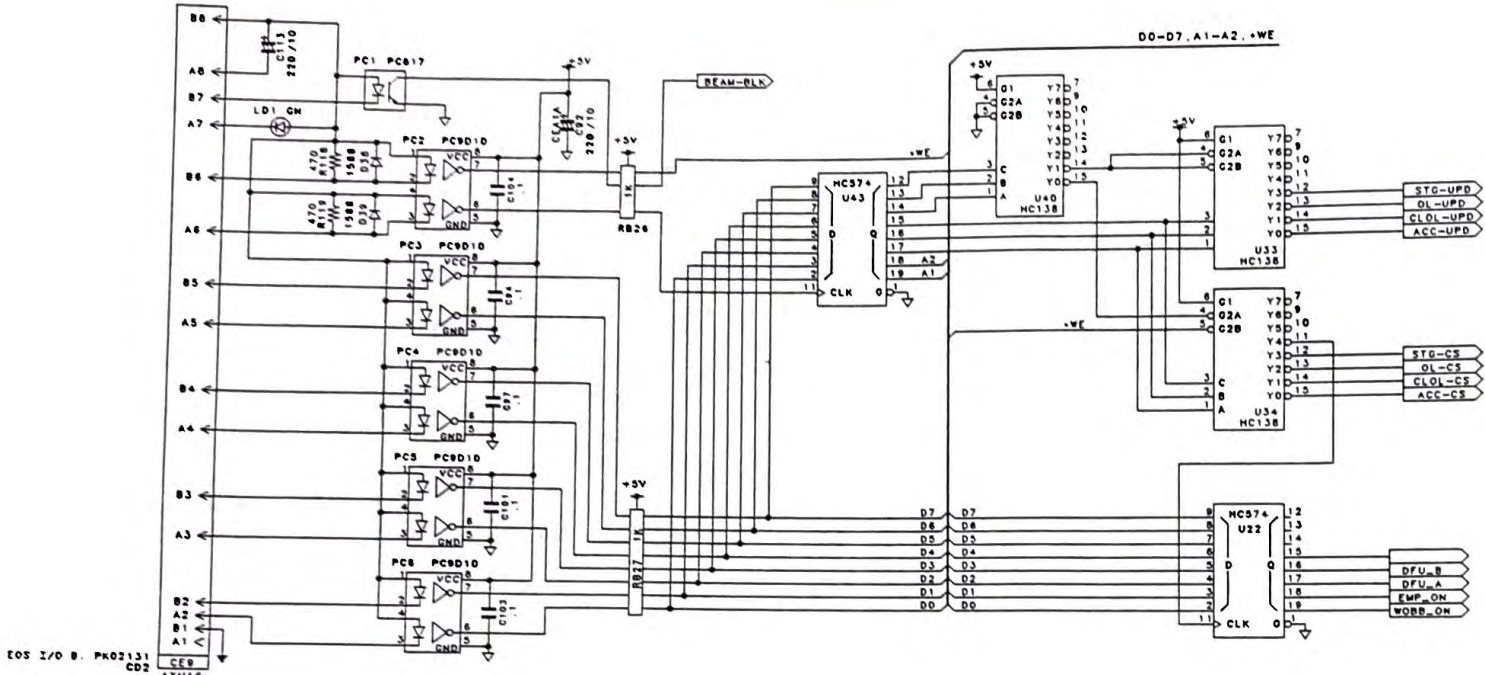


NOTES	CHGD.	APPD.	CHGD.	APPD.	DESN. NAME	DRAWING
1. 95/01/19 S.AKADO					S.AKADO	EOS I/O B.
2. 97/10/27 S.AKADO					DESN. DATE	DATE
						DESN. NO.
					95/05/11	CD PK02161
						Rev Mar 30 14 20 1987

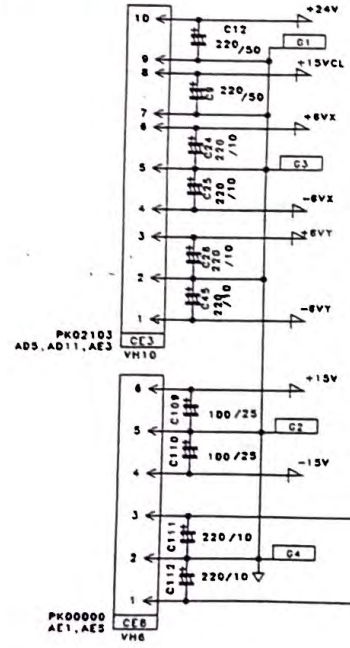




NOTES	CHKD.	APPD.	CHKD.	APPD.	DESN. NAME	DRAWING		
1. 96/01/19 S.AKADO					S. AKADO	EOS I/O B.		
2. 97/10/27 S.AKADO					DESN. DATE	MARK	DESN. NO.	PAGE
					95/05/11	CD	PK02161	5/5

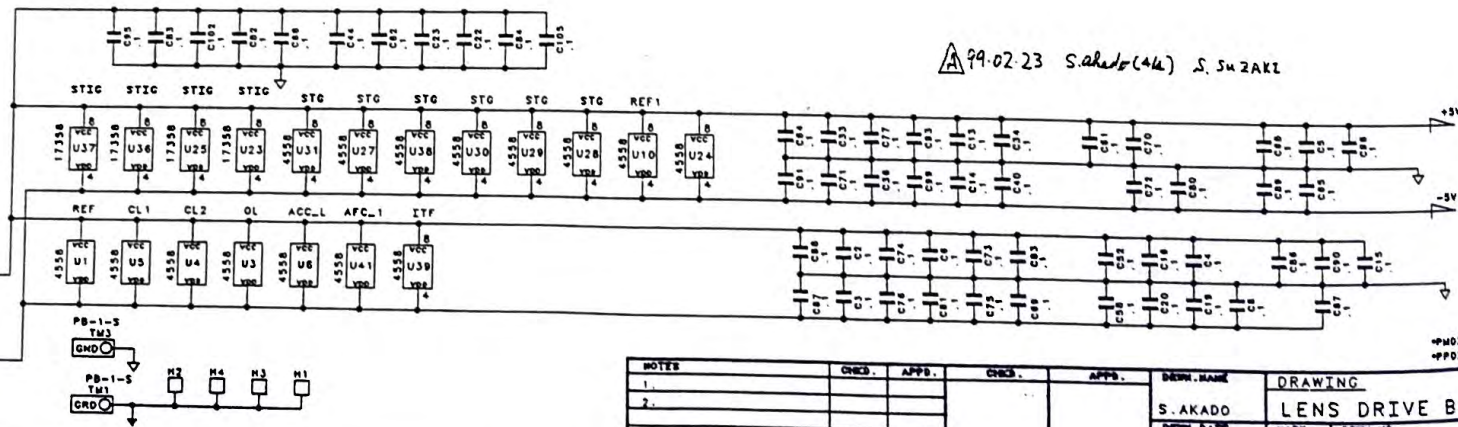


EOS I/O B. PK02131  
CD2  
AXM16



PK02103  
ADS, AD11, AEs  
VH10

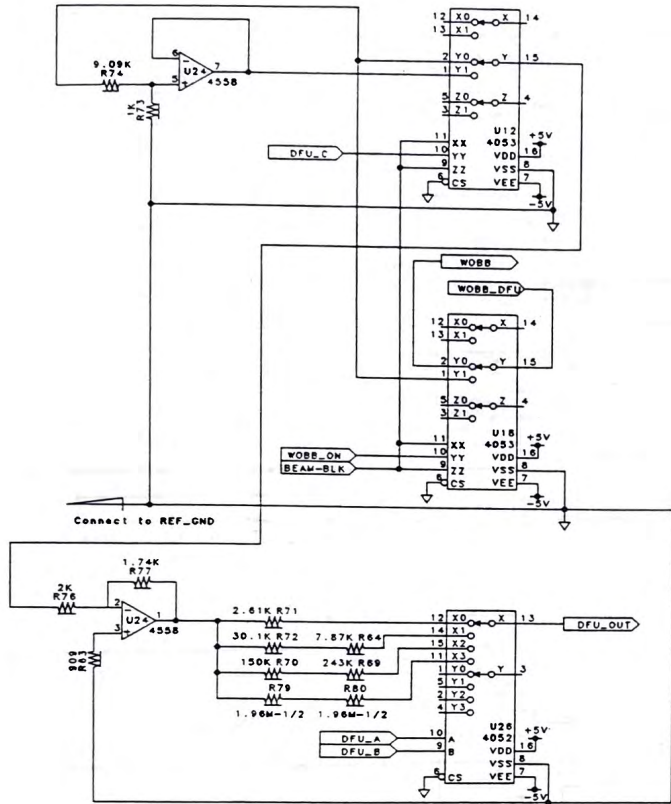
PK00000  
AE1, AEs  
VH6



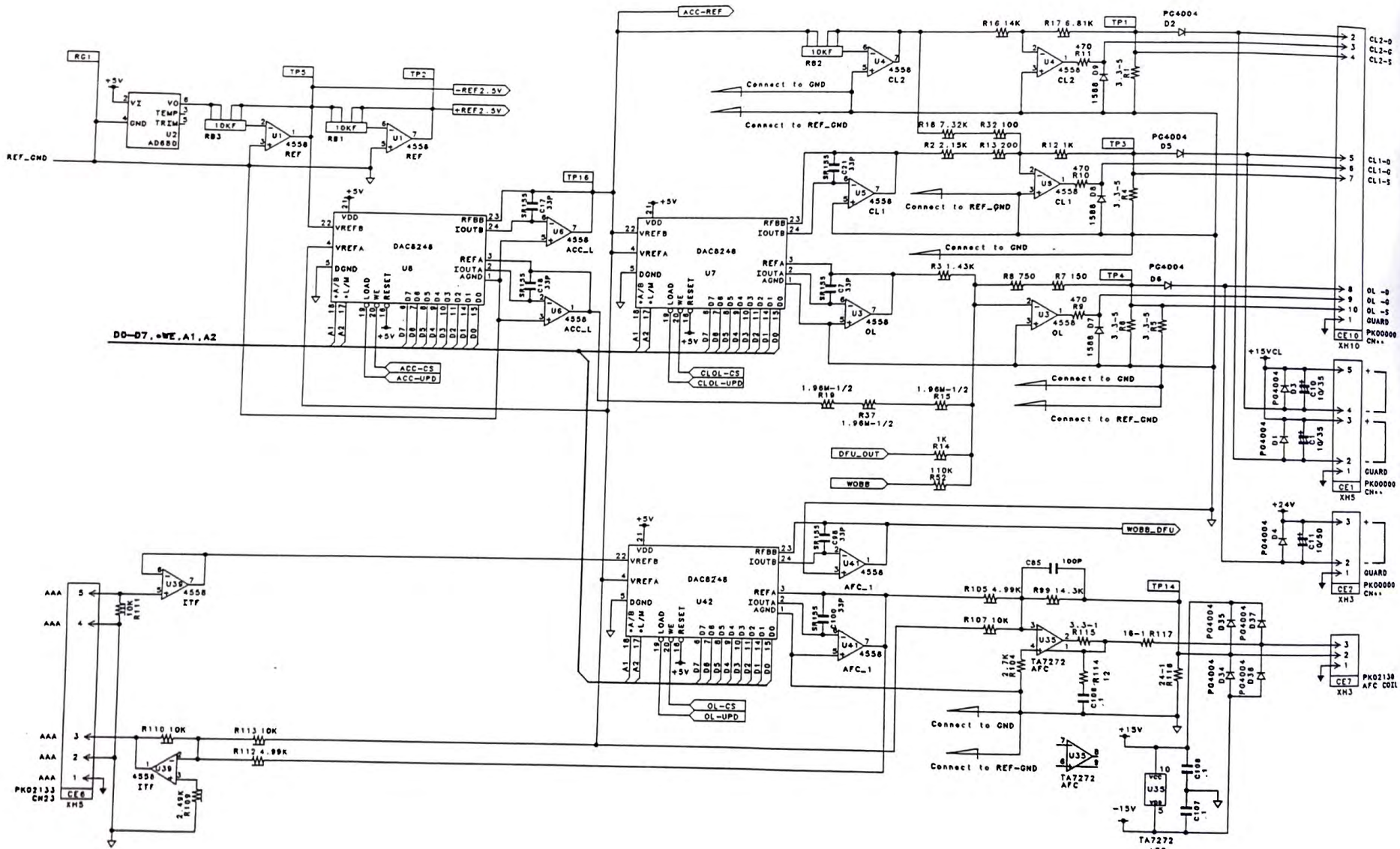
99-02-23 S. Akado (4M) S. Suzaki

NOTES	CHKD.	APPD.	CHKD.	APPD.	DESN. NAME	DRAWING	
1.					S. AKADO	LENS DRIVE B.	
2.					DESN. DATE	DATE	DESN. NO.
					98/03/19	CE	PK02137



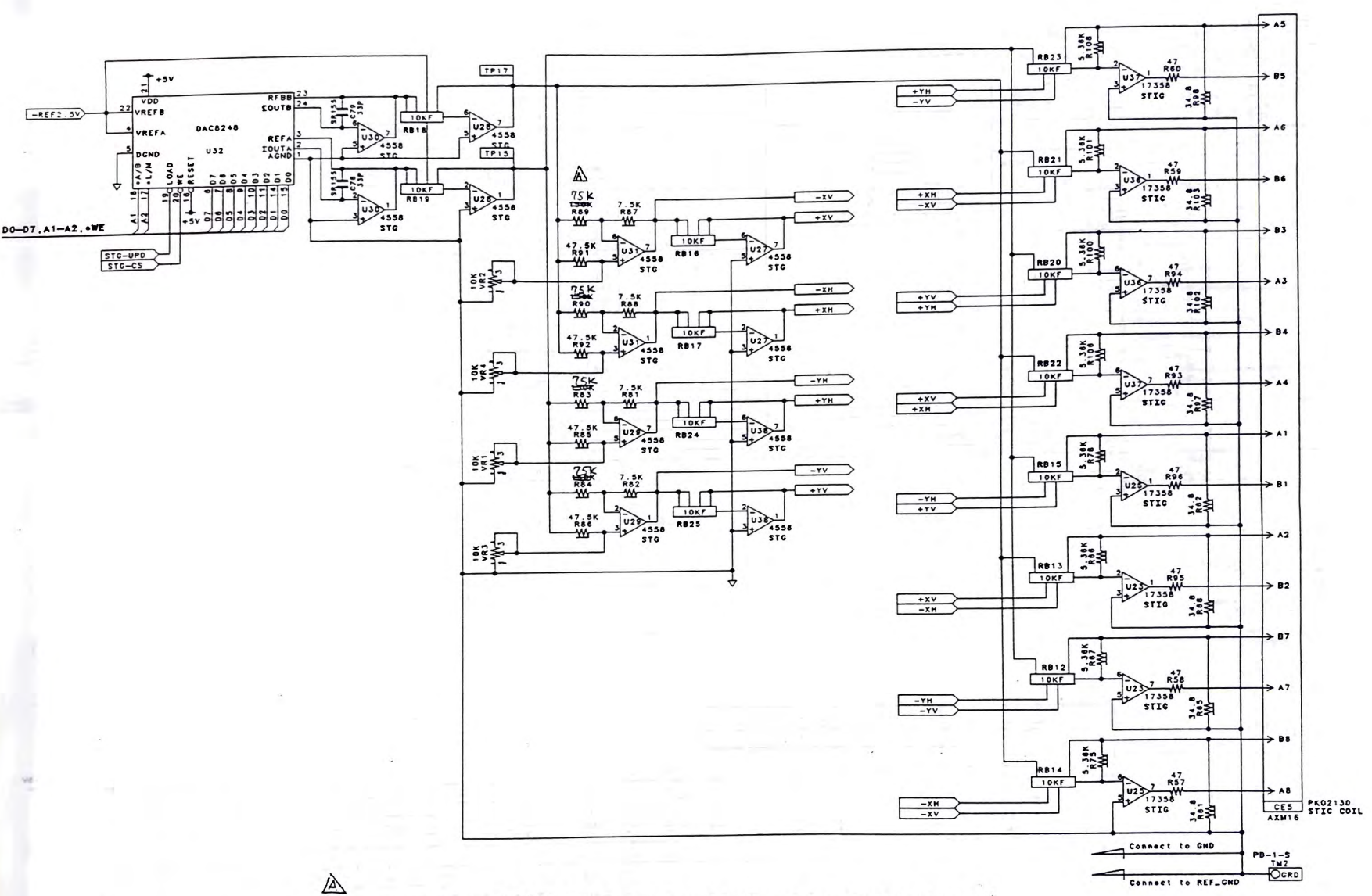


NOTES	CHKD.	APPD.	CHKD.	APPD.	DESN. NAME	DRAWING	
1.					S. AKADO	LENS DRIVE B.	
2.					DESN. DATE	MARK	DESN. NO.
					98/03/16	CE	PK02137
							PAGE
							2/4



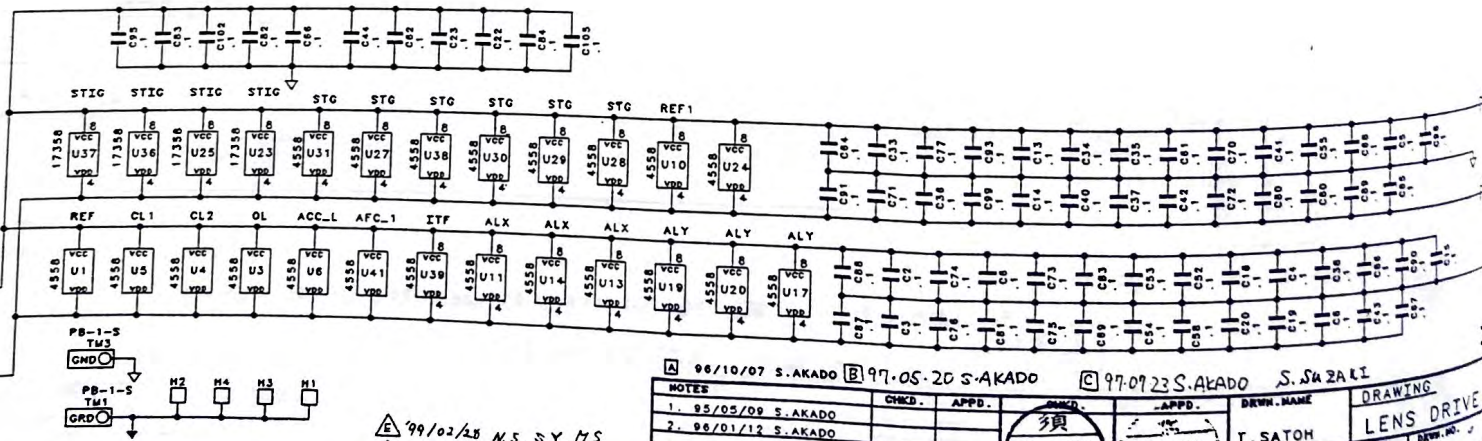
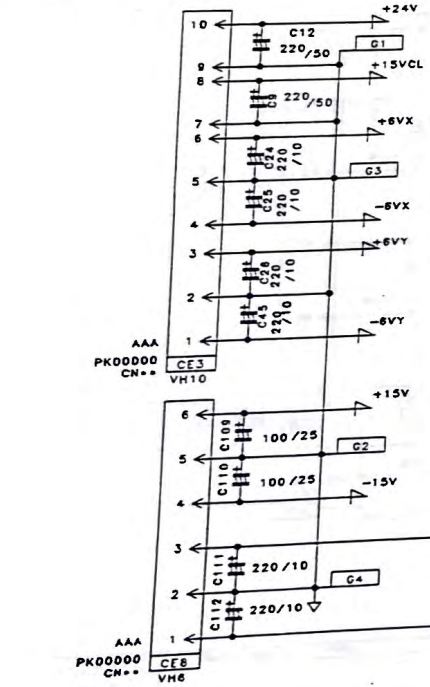
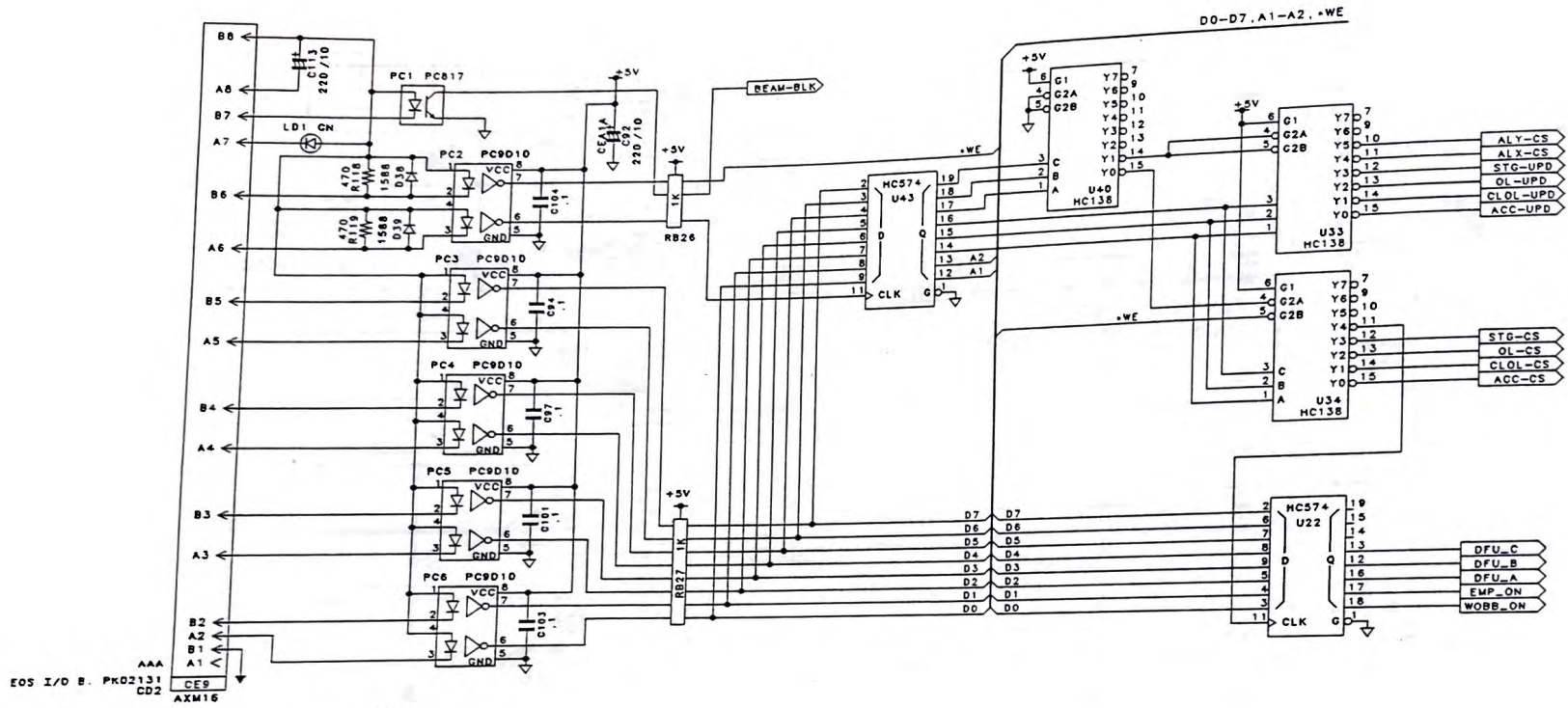
NOTES	CHKD.	APPR.	CHKD.	APPR.	DRWN. NAME	DRAWING	
1.					S. AKADO	LENS DRIVE B.	
2.					DRWN. DATE	DATE	DRWN. NO.
					98/03/19	CE	PK02137





△  
 ※ スタックアプライメントがMax. (時計方向) で補正できない時は、R83, 84, 89, 90を150kΩ (ERO-S2CKF1503, P/N 33915039) に交換する。  
 Min. (反時計方向) で補正できない時には、以下条件と考え、抵抗値の変更は行わない。

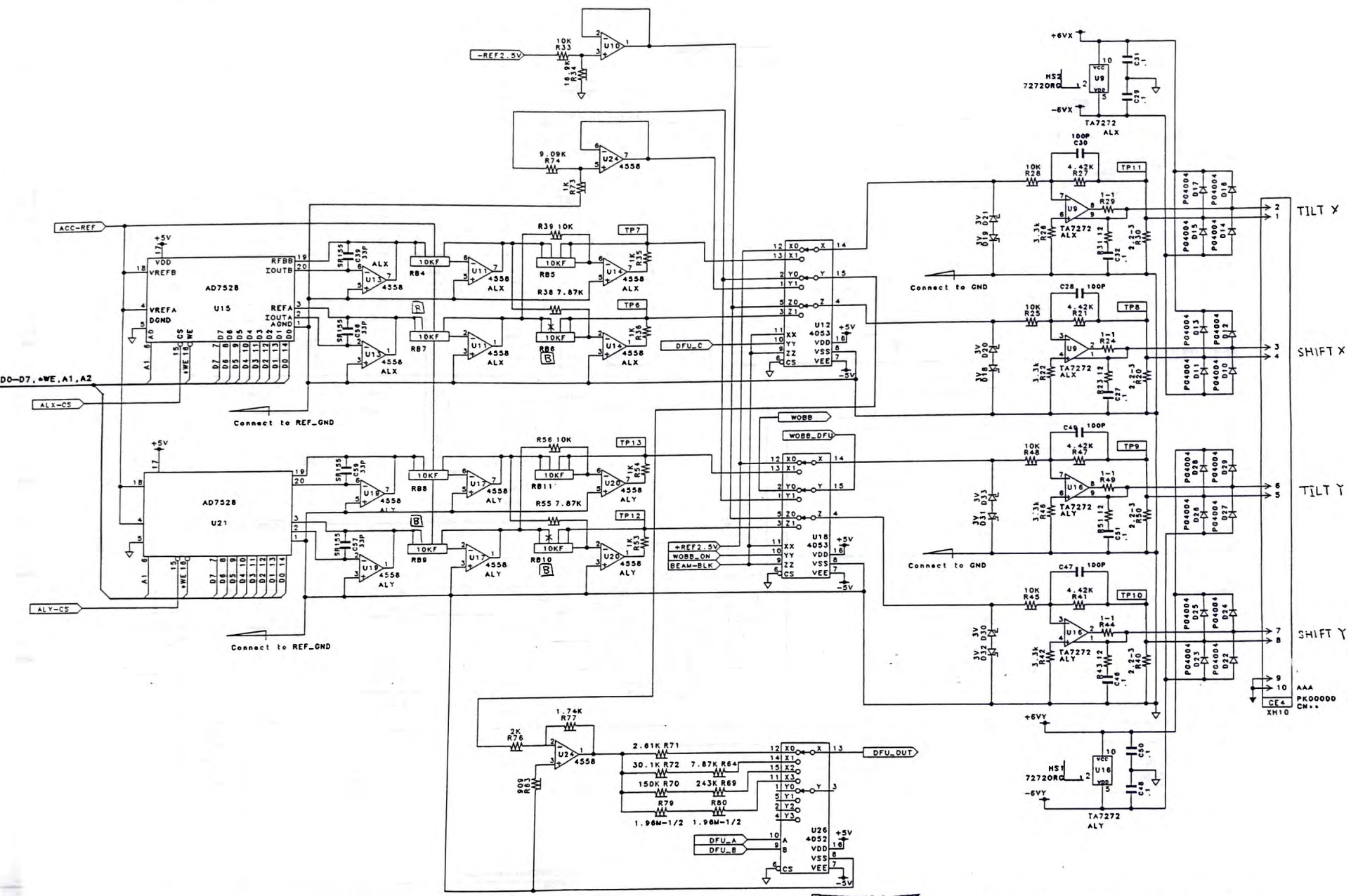
NOTES		CHKD.	APPD.	CHKD.	APPD.	DEW. NAME	DRAWING	
1.						S. AKADO	LENS DRIVE B.	
2.						DEW. DATE	MARK	DEW. NO.
						98/03/19	CE	PK02137 4/4



99/02/25 N.S. Z.Y. M.S.  
 98/10/19 N.S. Z.Y. M.S.

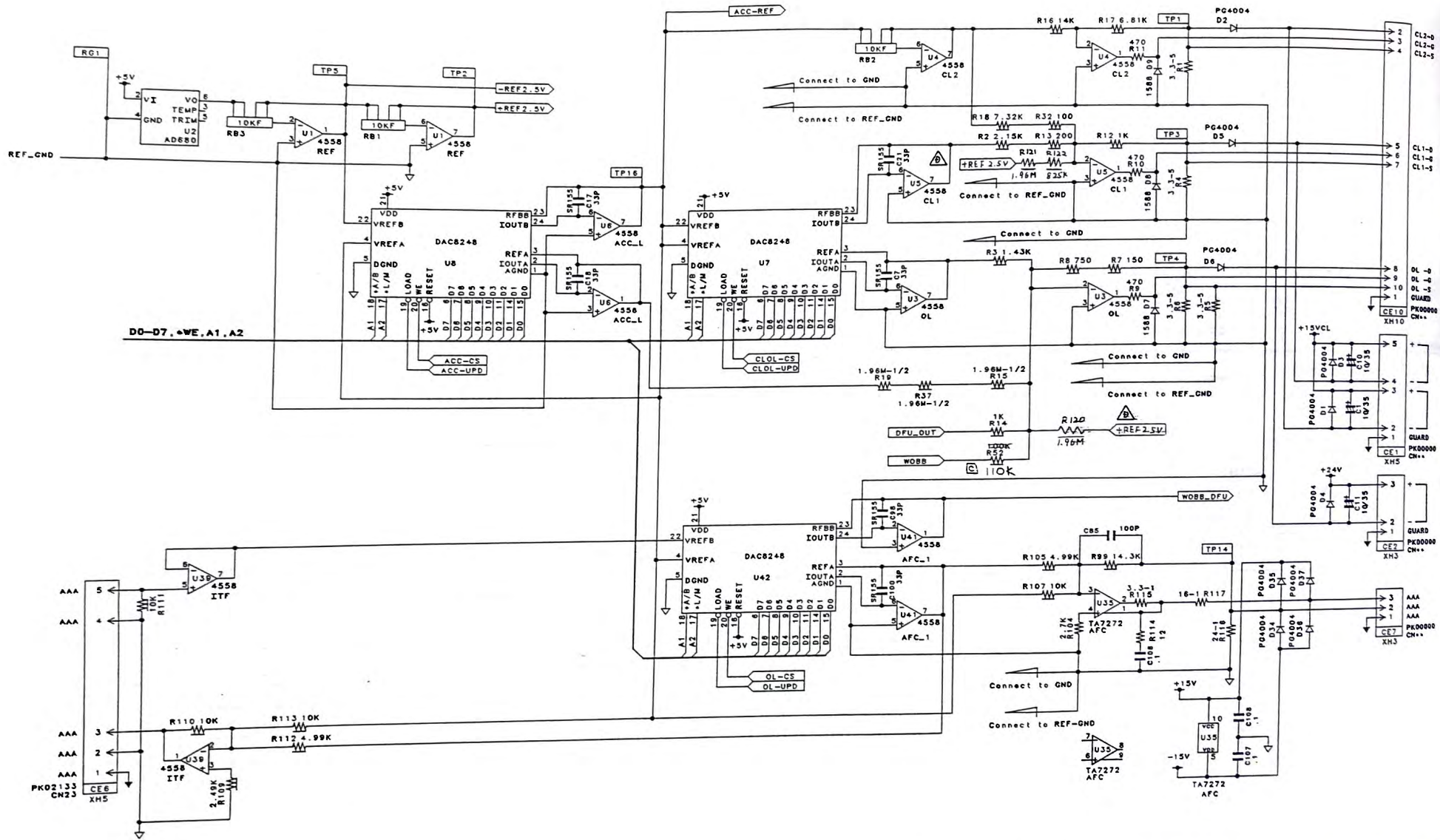
A 96/10/07 S.AKADO		B 97-05-20 S.AKADO		C 97-07-23 S.AKADO		S.SA ZAKI	
NOTES	CHKD.	APPD.	CHKD.	APPD.	DRWN. NAME	DRAWING	
1. 95/05/09 S.AKADO					T. SATOH	LENS DRIVE	
2. 96/01/12 S.AKADO					DRWN. DATE	MARK	DRWN. NO.
					94/03/07	CE	PK02133





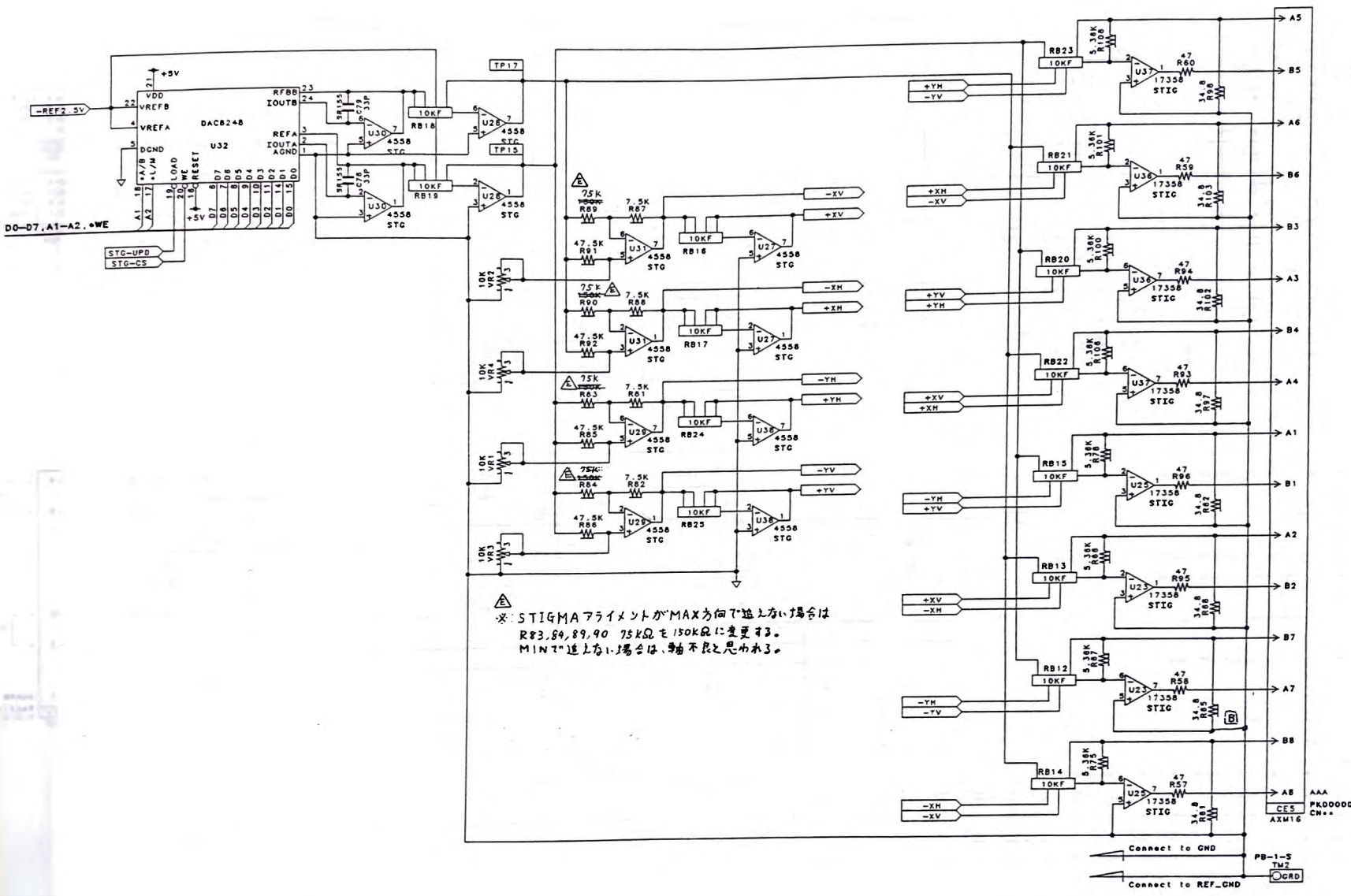
TILT X  
SHIFT X  
TILT Y  
SHIFT Y

NO.	CHKD.	APPD.	CHKD.	APPD.	DRWN. NAME	DRAWING
1.	95/05/09	S. AKADO			T. SATOH	LENS DRIVE B.
2.	96/01/12	S. AKADO			DRWN. DATE	MARK
					94/03/07	CE PK02132
						2/4



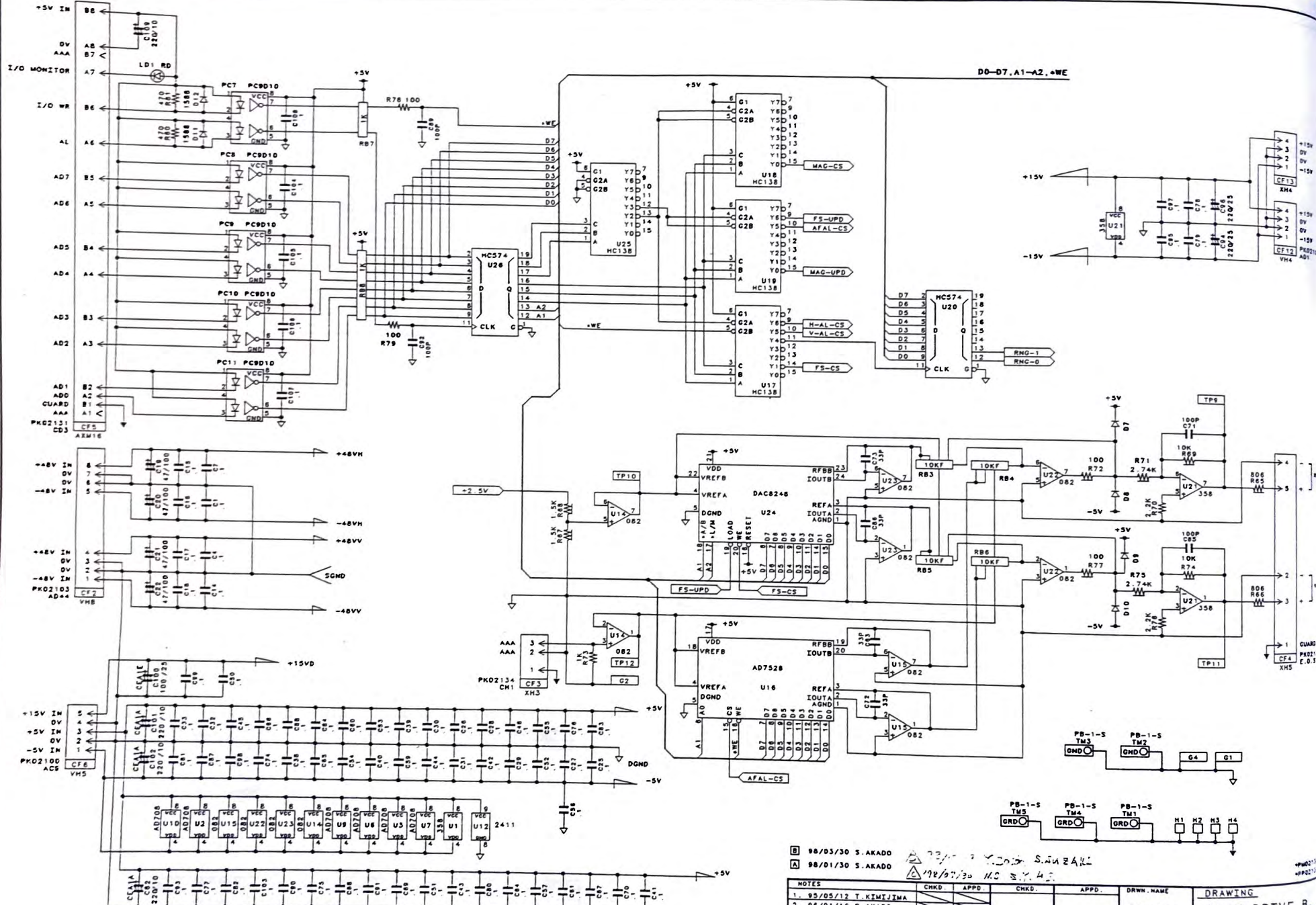
NOTES	CHKD.	APPD.	CHKD.	APPD.	DRWN. NAME	DRWING
1. 95/05/09 S. ANADO					T. SATOH	LENS DRIVE B
2. 96/01/12 S. ANADO					DRWN. DATE	DATE
					94/03/07	CE PK02132





※ STIGMAアライメントがMAX方向で進まない場合は  
R83,84,89,90 75kΩを150kΩに変更する。  
MINで進まない場合は、軸不良と思われず。

NOTES	CHKD.	APPD.	CHKD.	APPD.	DESN. NAME	DRAWING		
1. 95/05/09 S. AKADO					T. SATOH	LENS DRIVE B.		
2. 96/01/12 S. AKADO					DESN. DATE	MARK	DESN. NO.	PAGE
					94/03/07	CE	PK02132	4/4



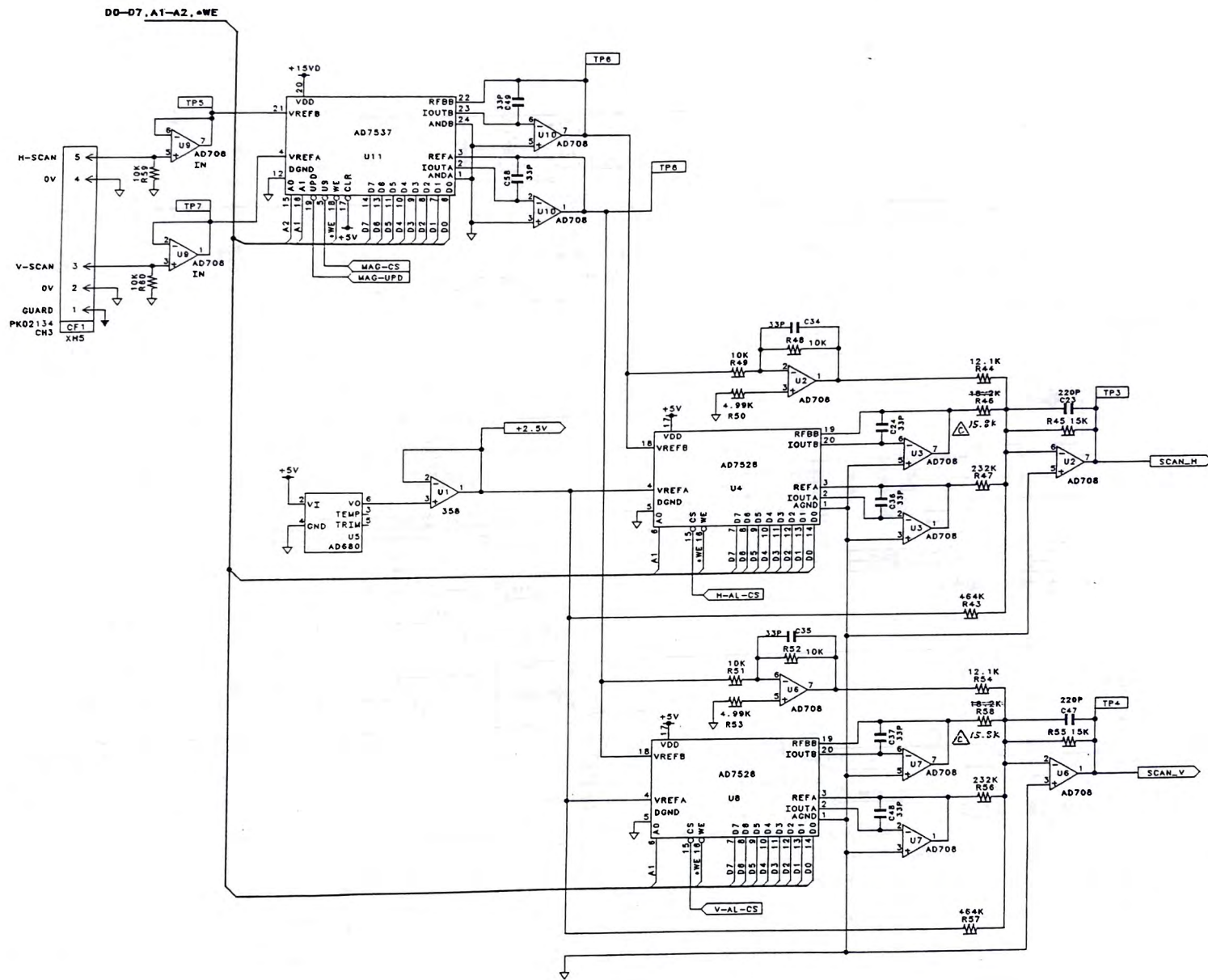
B 98/03/30 S. AKADO  
 A 98/01/30 S. AKADO

198/07/29 MS S.Y. AS

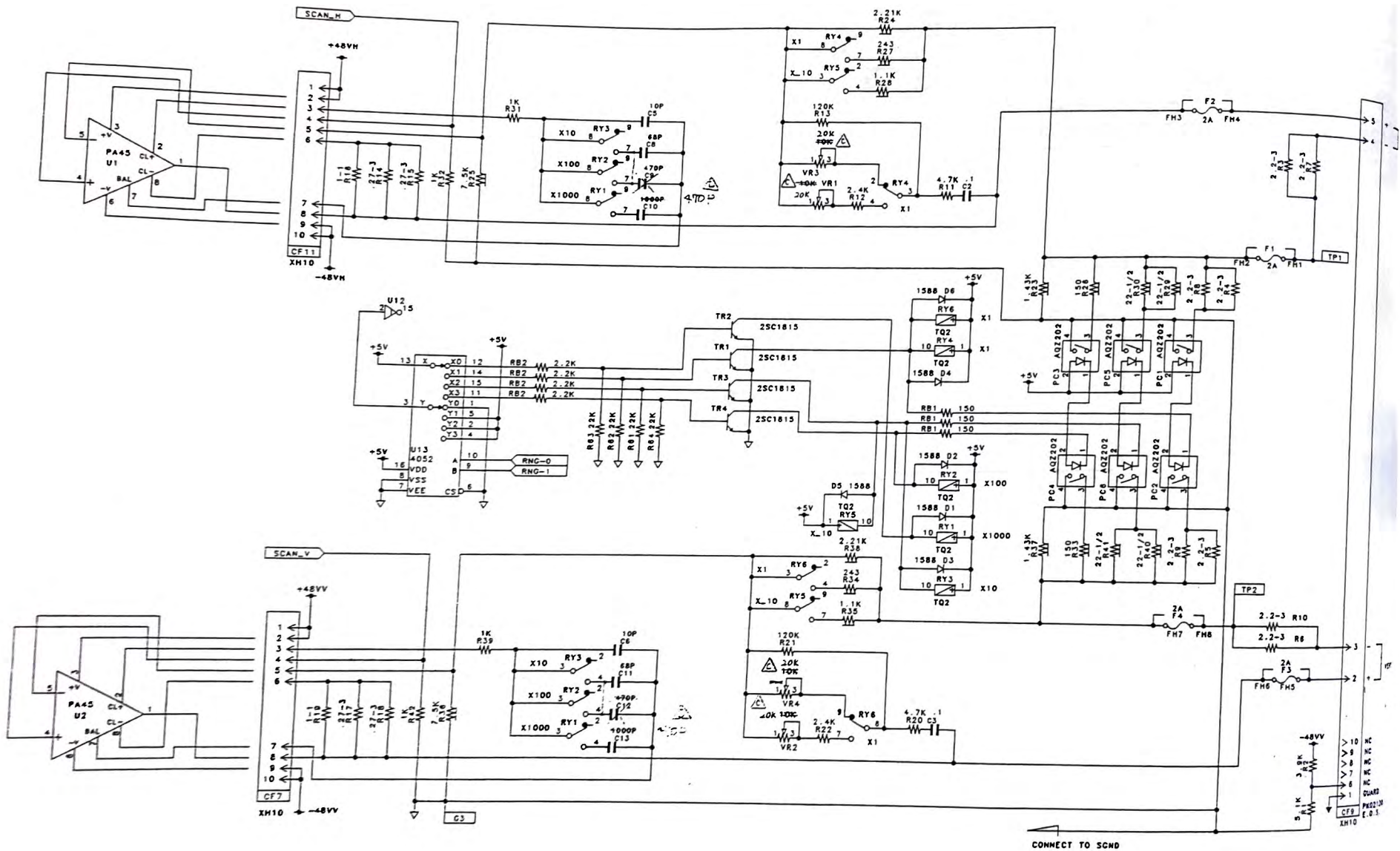
NOTES	CHKD	APPD	CHKD	APPD	DRWN. NAME	DRAWING
1. 95/05/12 T. KIMIYAMA					T. SATOH	SCAN DRIVE B
2. 96/01/16 S. AKADO						
3. 96/10/13 S. AKADO						
4. 97/10/29 S. AKADO						

DRWN. DATE	WARX	DRWN. NO.
94/03/07	CF	PK02133



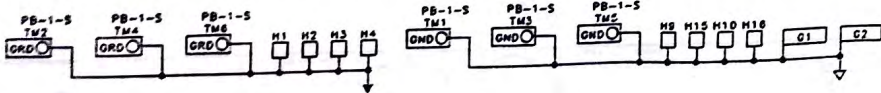
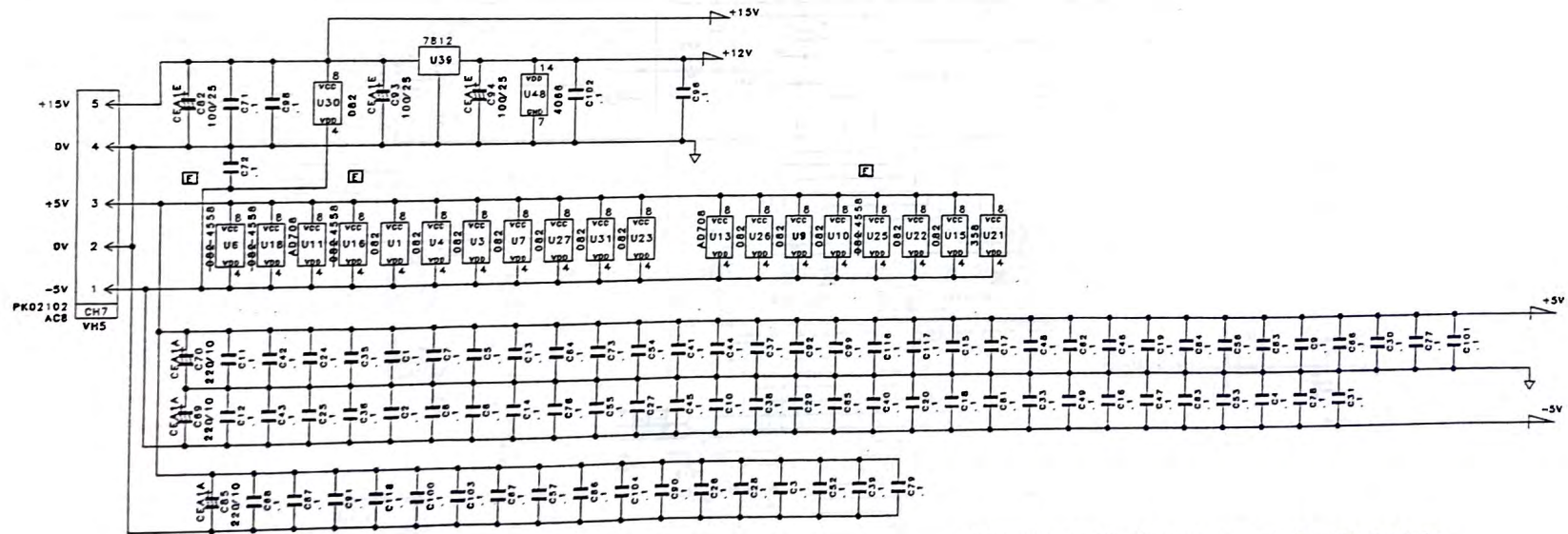
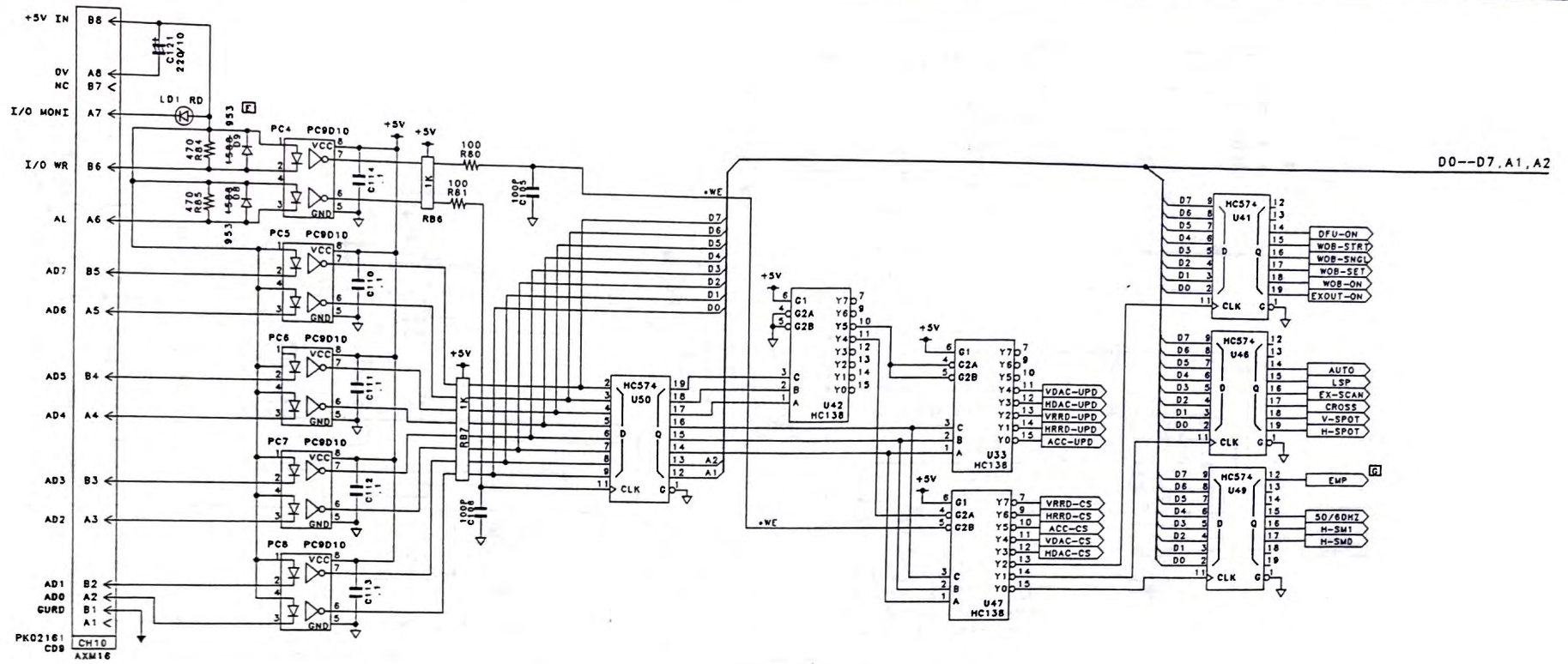


NOTES	CHKD.	APPD.	CHKD.	APPD.	DRWN. NAME	DRAWING		
1. 95/05/25 T. KIMIJIMA					T. SATOH	SCAN DRIVE B.		
2. 96/01/16 S. AKADO					DRWN. DATE	MARK	DRWN. NO.	PAGE
3. 96/10/13 S. AKADO					94/03/07	CF	PK02133	2/3
4. 97/10/29 S. AKADO								



NOTES	CHKD.	APPD.	CHKD.	APPD.	DRWN. NAME	DRAWING
1. 95/05/25 T. KIMIJIMA					T. SATOH	SCAN DRIVE B
2. 96/01/16 S. AKADO					DRWN. DATE	DRWN. NO.
3. 96/10/15 S. AKADO					84/03/07	CF PK02133
4. 97/10/29 S. AKADO						



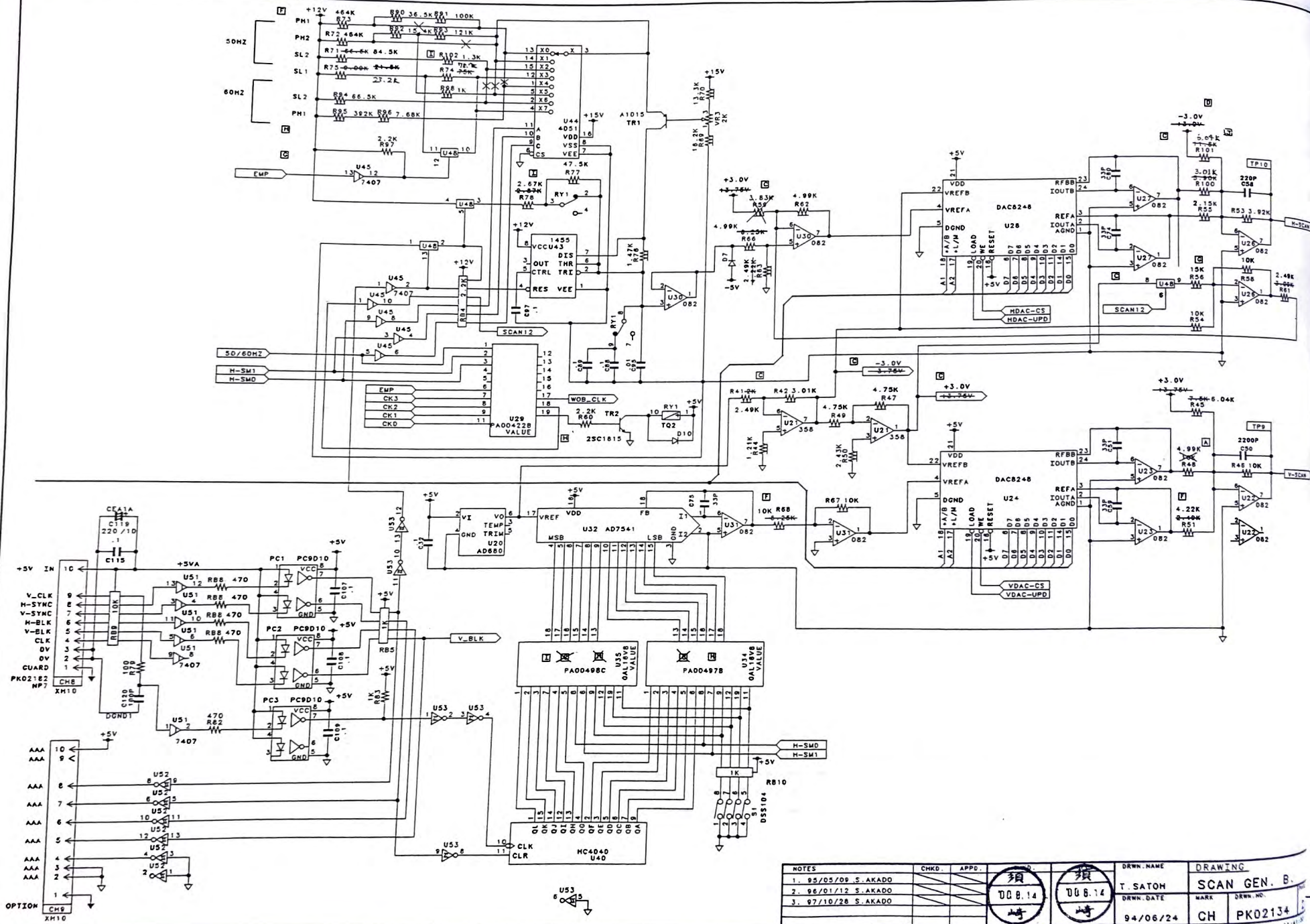


98/10/16 Y. SATOH	00/04/25 Y. SATOH	00/08/11 Y. SATOH	
98/03/30 S. AKADO	00/04/07 N. S	00/06/14 Y. SATOH	
98/01/30 S. AKADO	99/01/23 N. S	00/05/12 Y. SATOH	

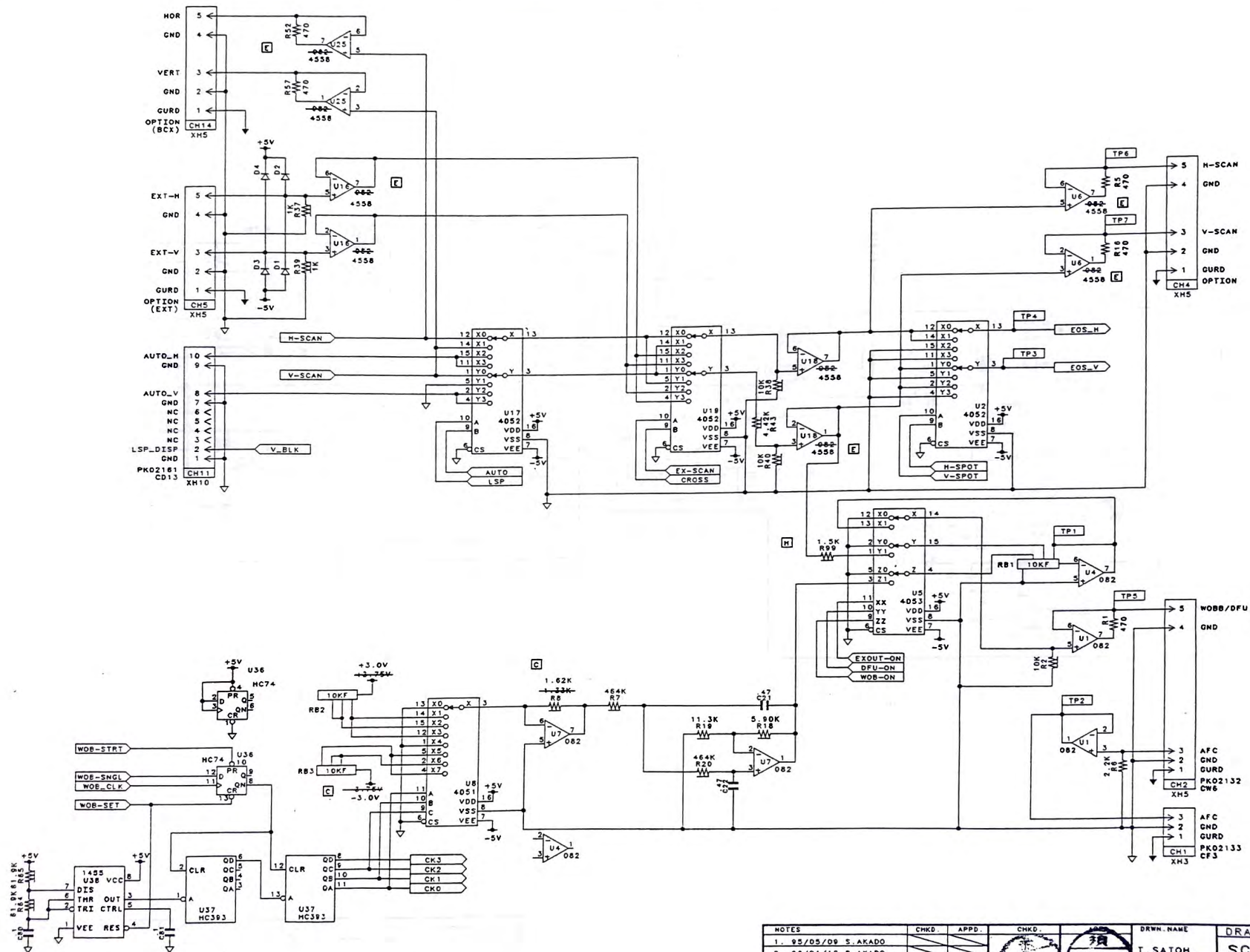
NOTES	CHKD.	APPD.	CHKD.	APPD.	DRWN. NAME	DRAWING
1. 93/05/09 S. AKADO					T. SATOH	SCAN GEN. B.
2. 96/01/12 S. AKADO					DATE	MARR
3. 97/10/28 S. AKADO					94/06/24	CH PK02134 1/4



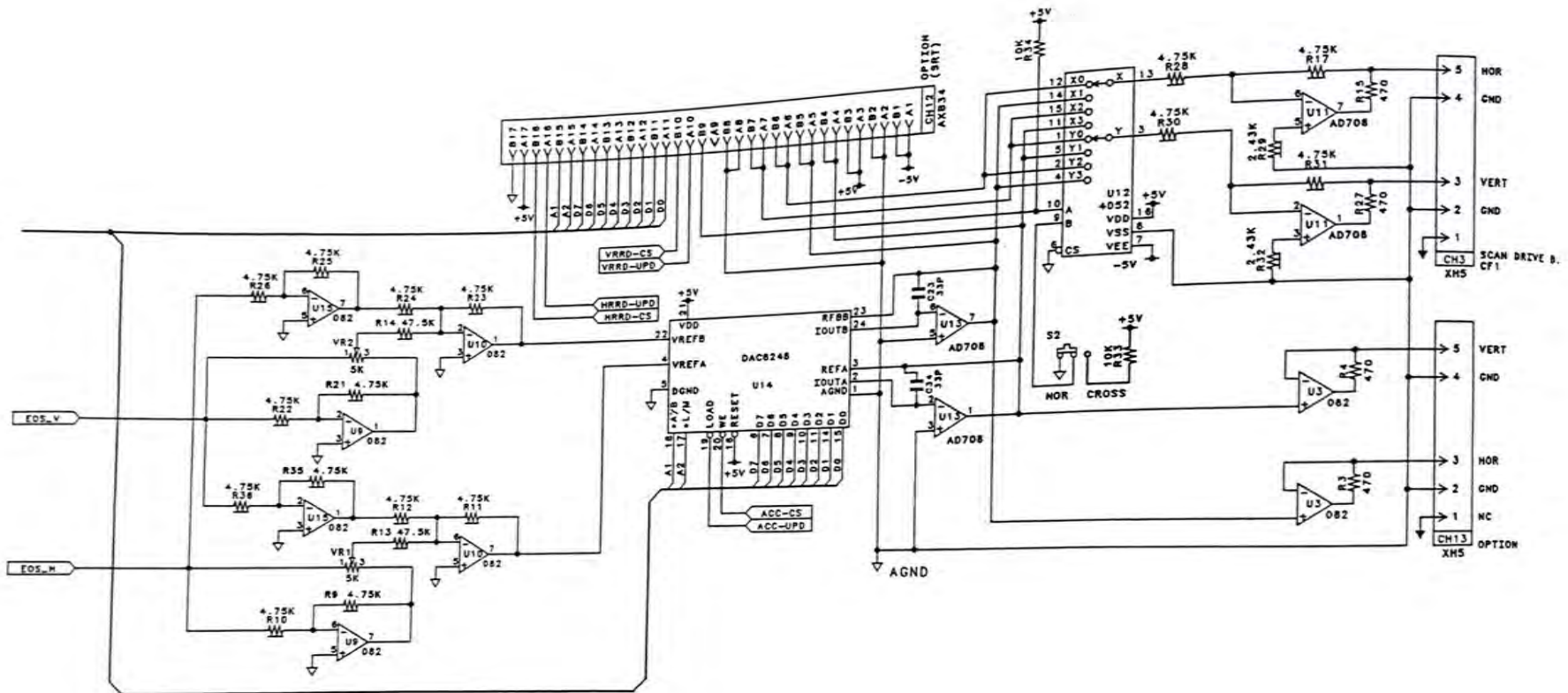


NOTES	CHKD.	APPD.	DATE	DRW. NAME	DRAWING
1. 95/05/08 S. AKADO			08.14	T. SATOH	SCAN GEN. B.
2. 96/01/12 S. AKADO			08.14	DRW. DATE	MARK
3. 97/10/28 S. AKADO				94/06/24	CH PK02134



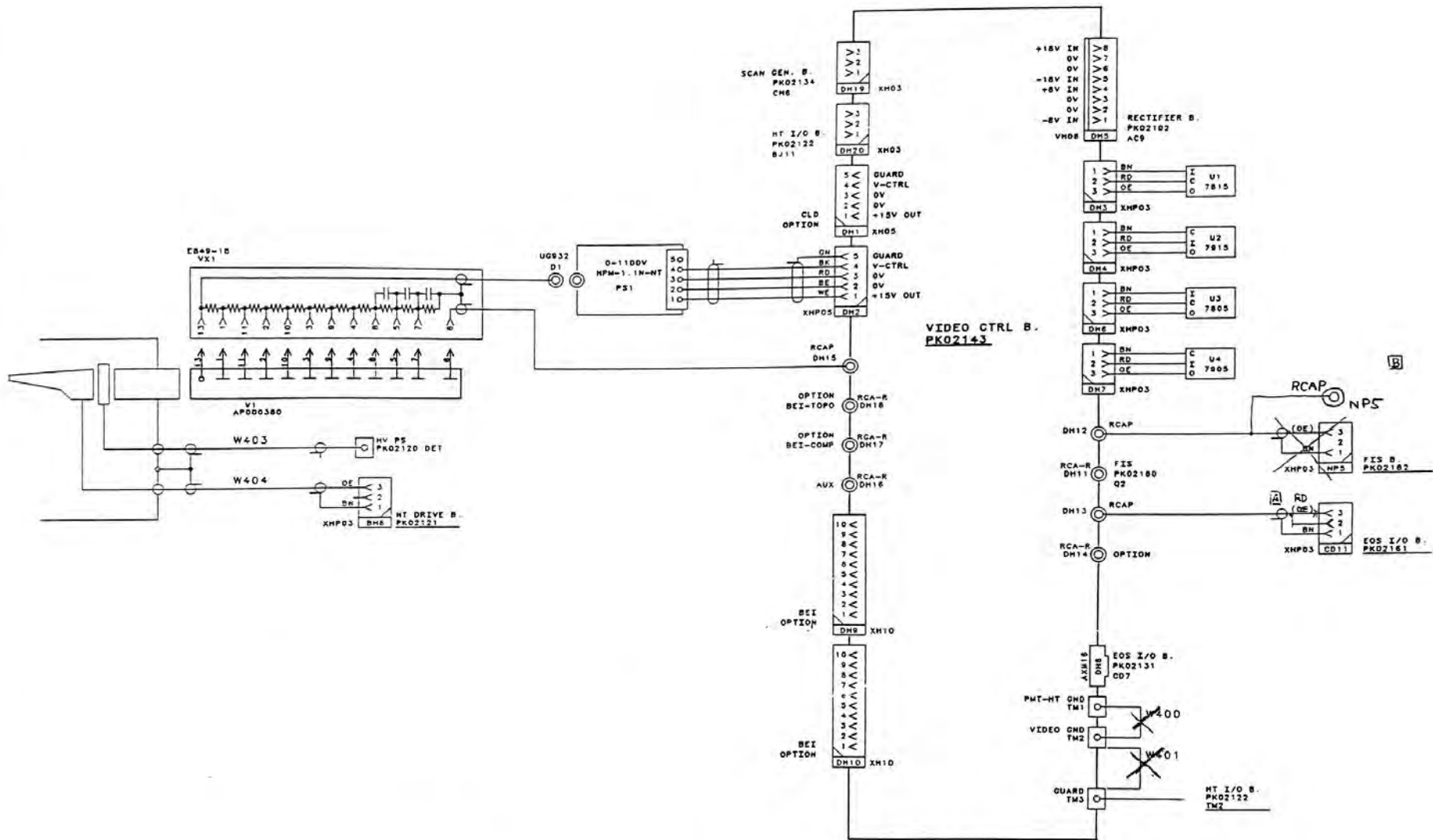


NOTES	CHKD	APPD.	CHKD.	DRWN. NAME	DRAWING
1. 93/05/09 S. AKADO				T. SATOH	SCAN GEN. B.
2. 98/01/12 S. AKADO				DRWN. DATE	MARK
3. 97/10/28 S. AKADO				94/06/24	DRWN. NO. PAGE
				CH	PK02134 3/4



NOTES		CHKD.	APPD.	CHKD.	DRWN. NAME	DRWING
1.	95/05/09 S. AKADO				T. SATOH	SCAN DES
2.	98/01/12 S. AKADO				DRWN. DATE	DATE
3.	97/10/28 S. AKADO				04/08/24	CH



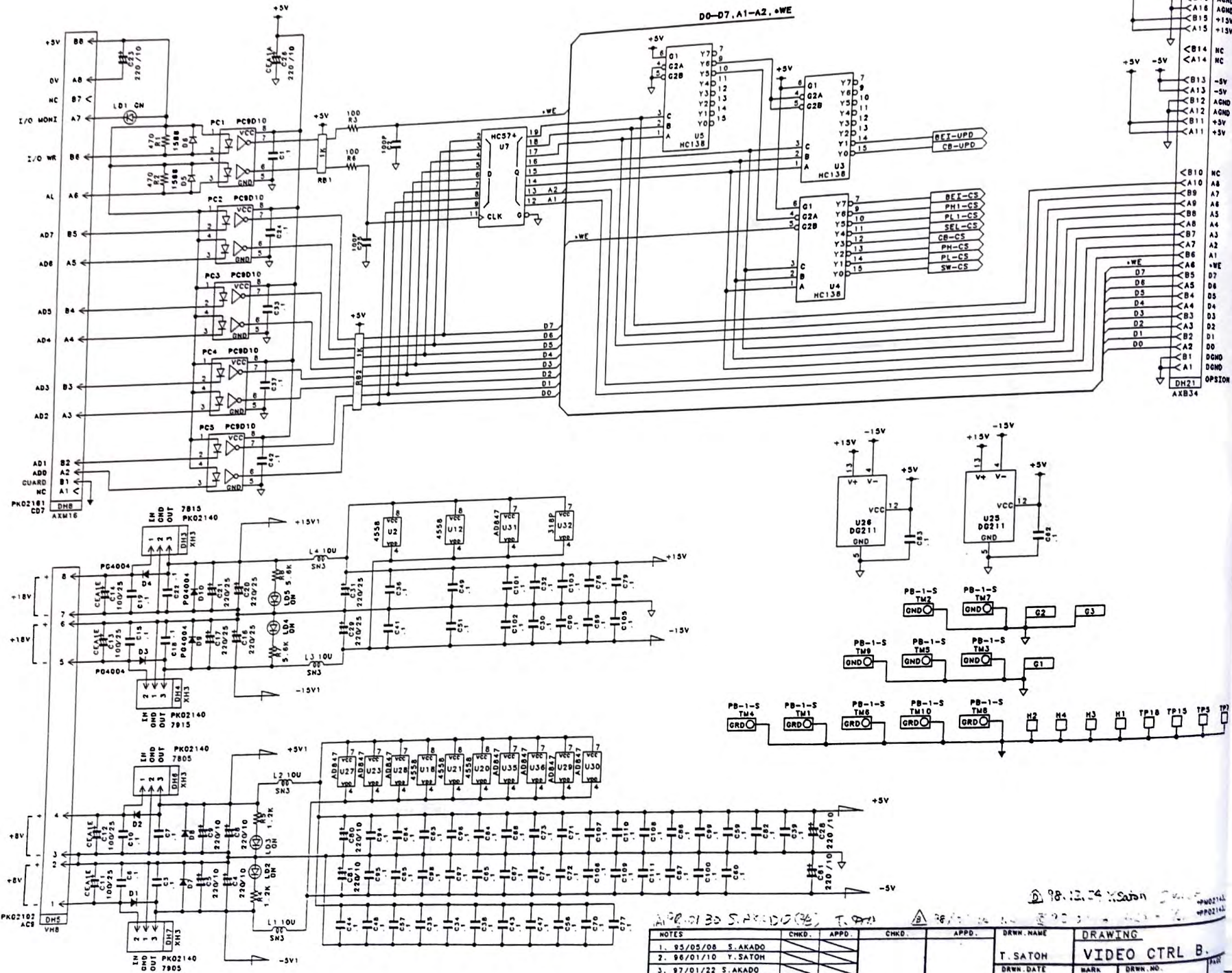


00.04.25 Y. SATO S. YAZAKI

98.02.05 S. AKADO

NOTES	CHKD.	APPD.	CHKD.	APPD.	DRWN. NAME	DRAWING		
1. 05/06/02 T. S.					T. SATOH	DETECTOR		
2. 06/01/11 S. AKADO					DRWN. DATE	MARK	DRWN. NO.	PAGE
3. 06/06/04 S. AKADO					04/07/06	DD	PK02140	1/1
4. 07/01/13 S. AKADO								

\*PM02140\_2



APPROVED: S. AKADO

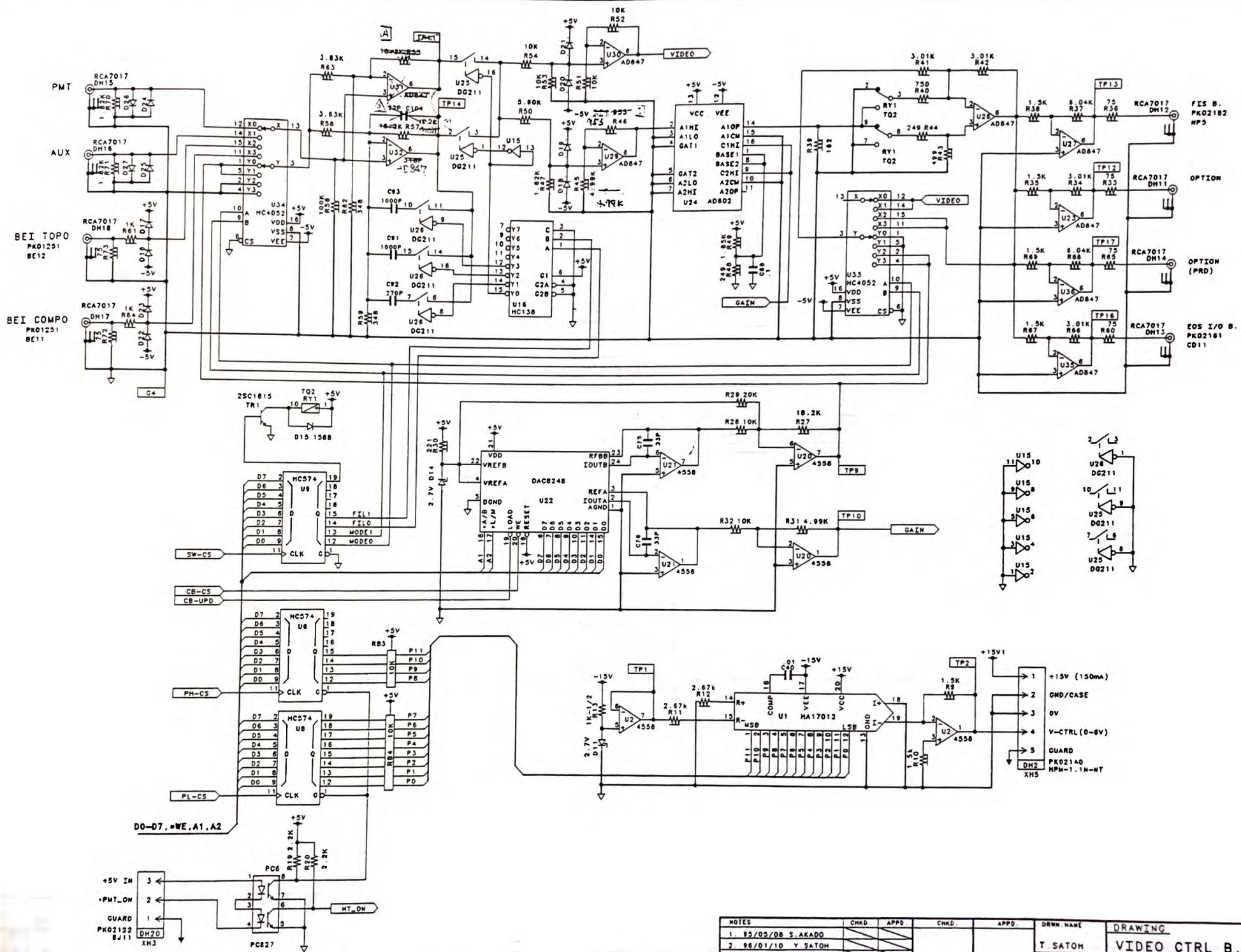
18.12.74 X.Saton

NOTES	CHKD.	APPD.	CHKD.	APPD.	DRWN. NAME	DRAWING
1. 95/05/08 S. AKADO					T. SATOH	VIDEO CTRL B.
2. 98/01/10 Y. SATOH					DRWN. DATE	MARK
3. 97/01/22 S. AKADO					94/07/04	DH
4. 97/10/28 S. AKADO						PK02143

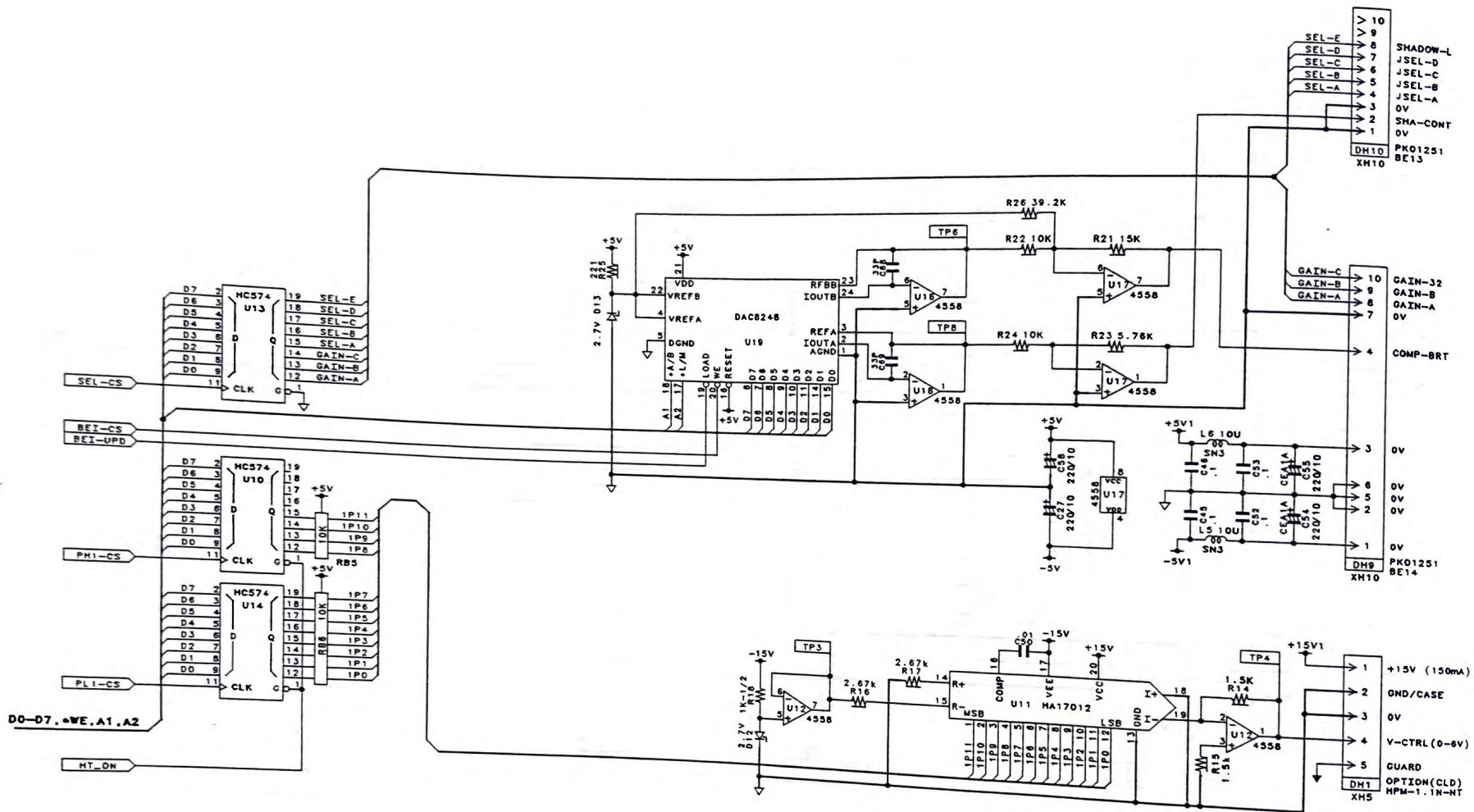
DRW. NO. PK02144  
PK02144

808 Nov 3 19 24 1994





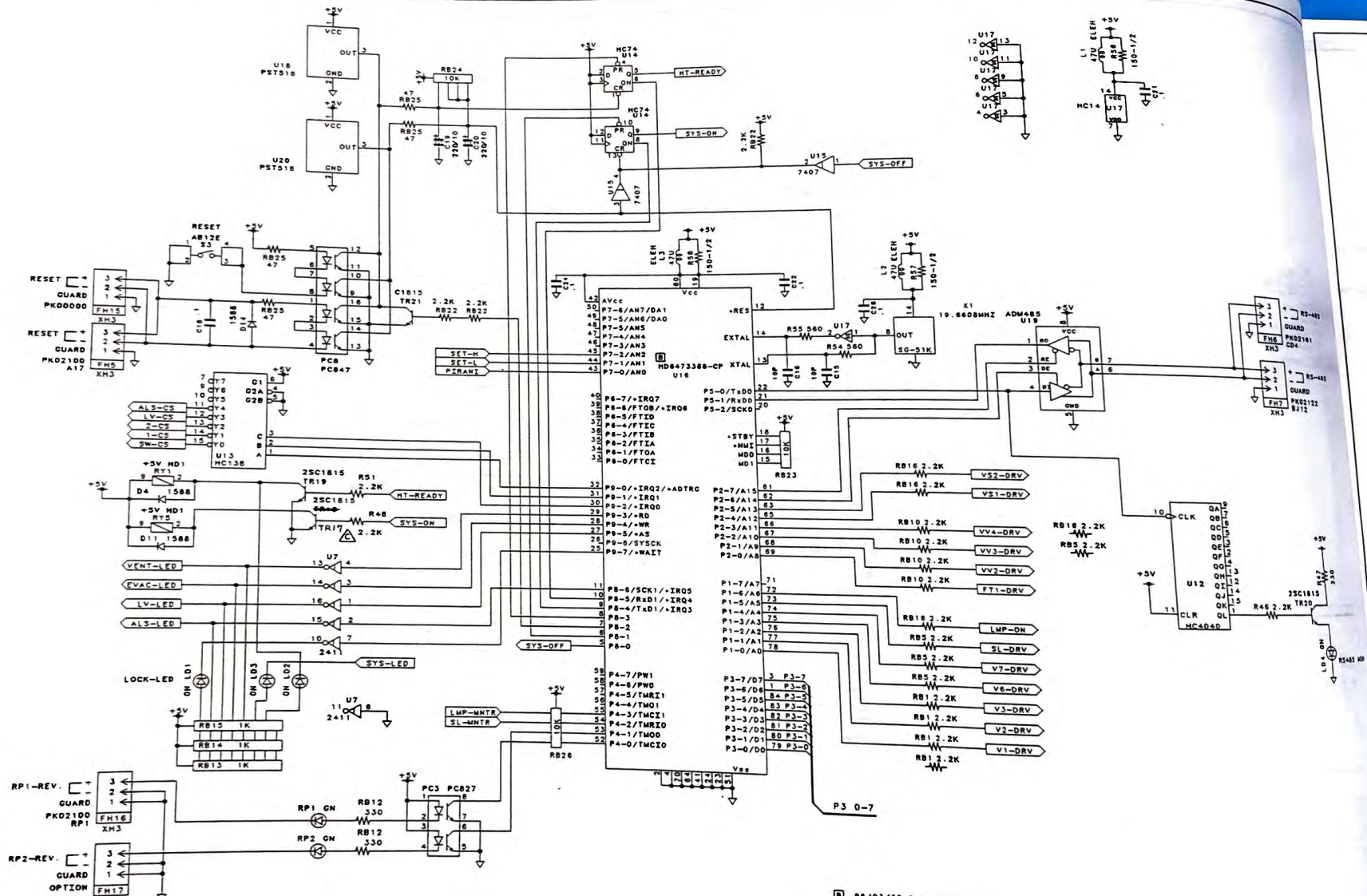
NOTES	CHKD.	APPD.	CHKD.	APPD.	DRWN. NAME	DRAWING		
1. 95/05/08 S. AKADO					T SATOH	VIDEO CTRL B.		
2. 96/01/10 Y. SATOH					DRWN. DATE	MASK	DRWN. NO.	PAGE
3. 97/01/22 S. AKADO					94/07/04	DH	PK02143	2/3
4. 97/10/28 S. AKADO								



NOTES				CHKD.	APPD.	CHKD.	APPD.	DRWN. NAME	DRAWING
1.	95/05/08	S. AKADO						T. SATOH	VIDEO CTRL
2.	96/01/10	Y. SATOH						DRWN. DATE	MARK
3.	97/01/22	S. AKADO						94/07/04	DH
4.	97/10/28	S. AKADO							DRWN. NO.







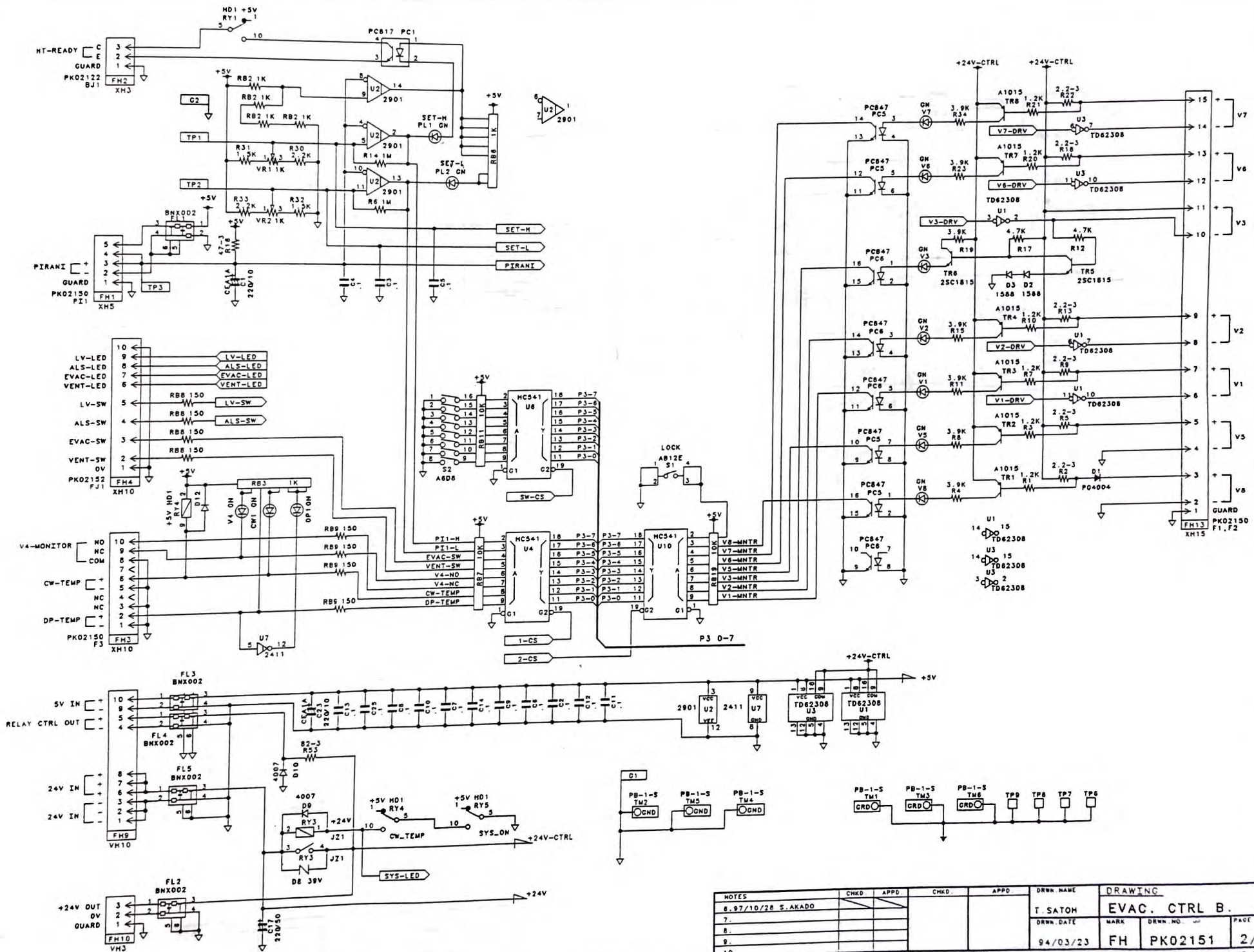
98/03/30 S. AKADO (1/3)

98/01/30 T. KIMIJIMA (3/3)

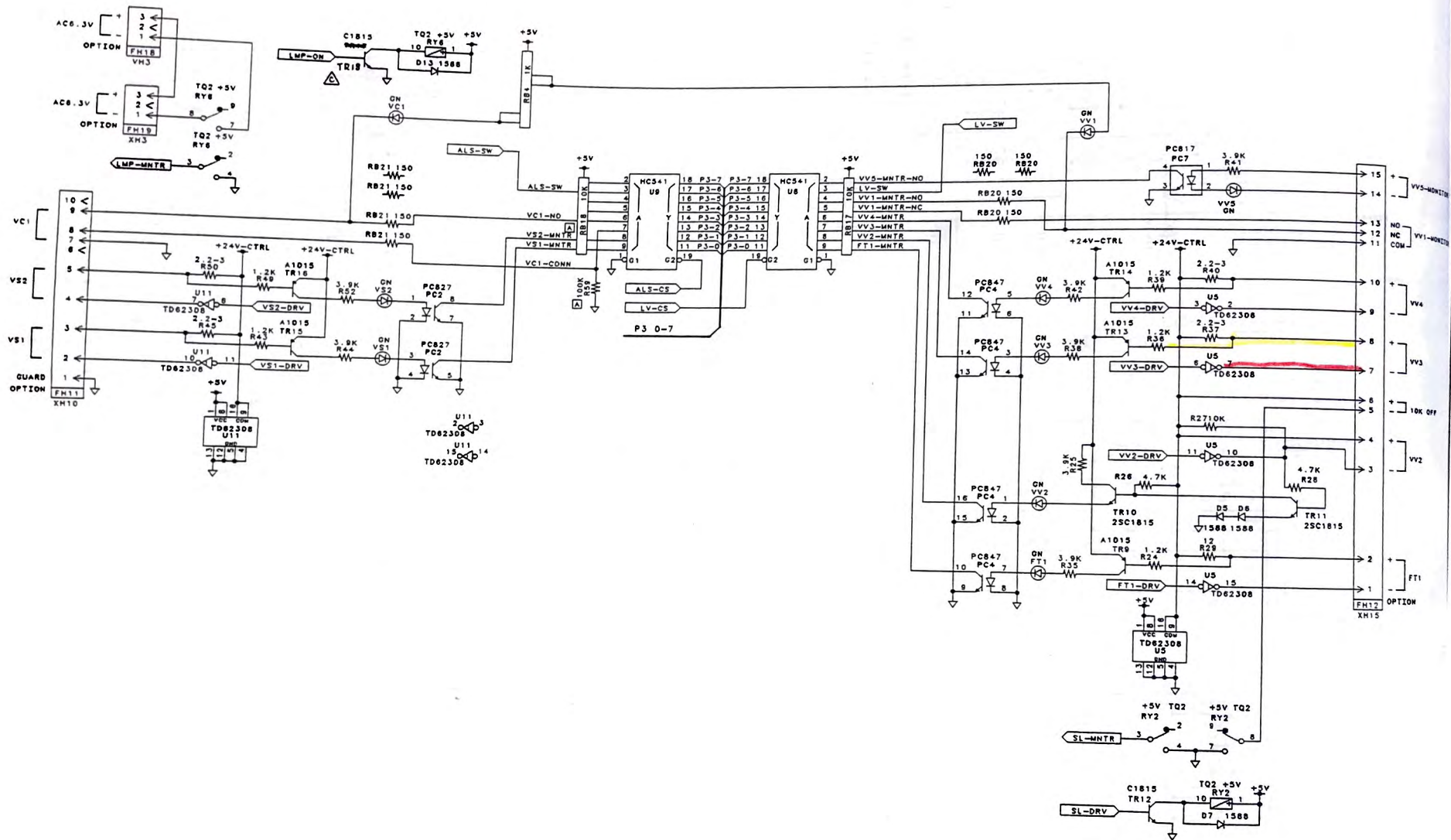
NOTES				CHKD.	APPD.	CHKD.	APPD.	DRWN. NAME	DRAWING
6.	97/10/28	S. AKADO						T. SATOH	EVAC. CTRL B.
7.								DRWN. DATE	MARK
8.								94/03/23	FH
9.									PK02151
10.									MOD. WFP 30/10/00

98/00/04/11 N.S. TN. M.S.



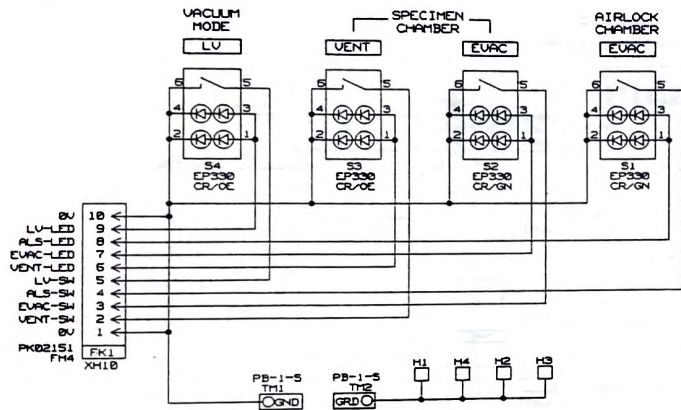


NOTES				CHKD	APPD	CHKD	APPD	DRWN NAME	DRAWING	
1.	6. 97/10/28 S. AKADO							T. SATOH	EVAC. CTRL B.	
2.								DRWN. DATE	MARA	DRWN. NO.
3.								94/03/23	FH	PK02151
4.										2/3
5.										
6.										
7.										
8.										
9.										
10.										



NOTES	CHKD.	APPD.	CHKD.	APPD.	DRWN. NAME	DRAWING
8.97/10/78 S. AKADO					T SATOH	EVAC. CTRL B.
7.					DRWN. DATE	MARK
8.					94/03/23	FH
9.						PK02151
10.						



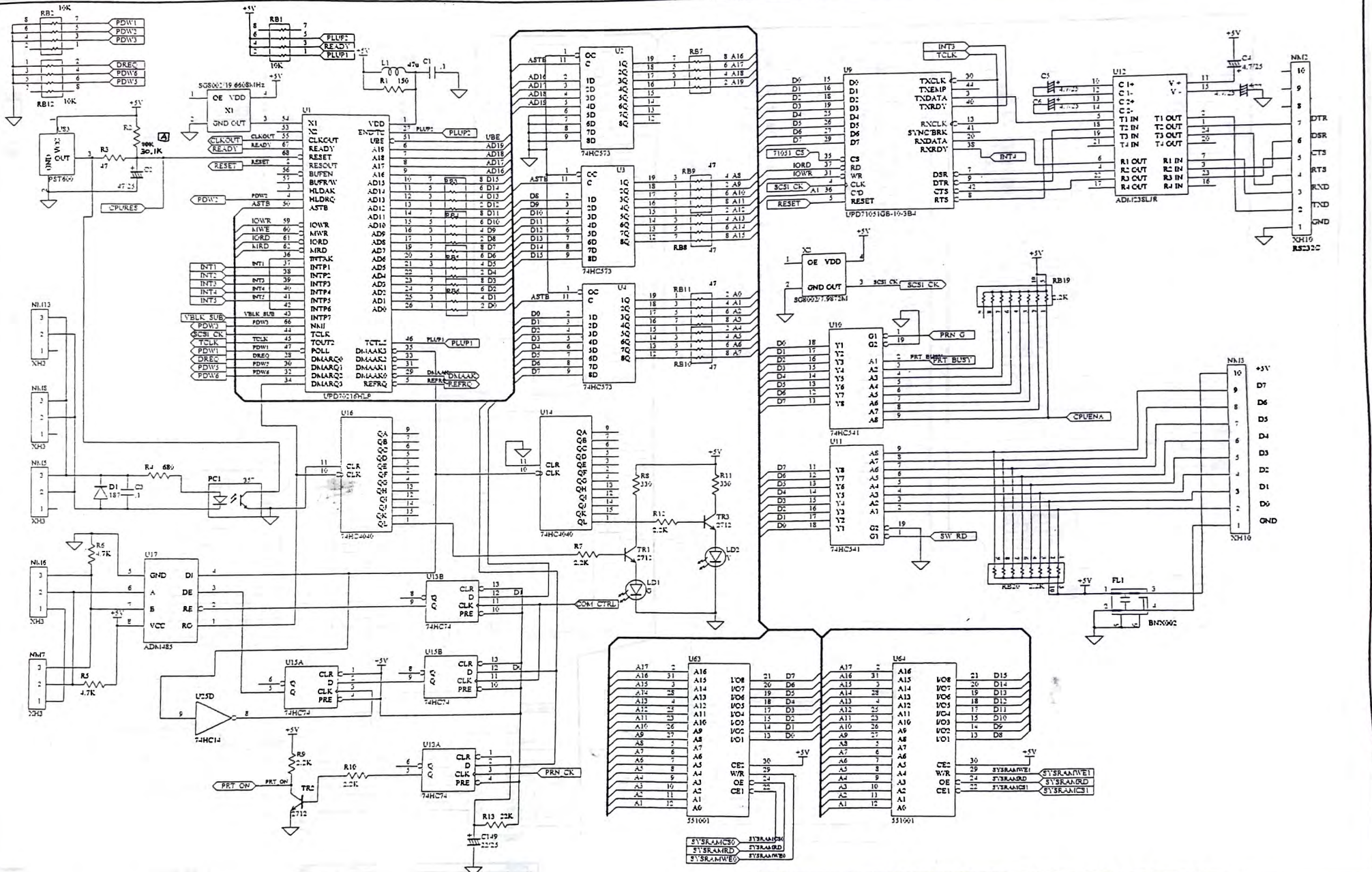


PK02152\_0  
PK02152\_0

NOTES	CHKD.	APPD.	CHKD.	APPD.	DRWN. NAME	DRAWING	
1.			赤	三	S. SUZAKI	EVAC. SW B.	
2.			赤	三	DRWN. DATE	PK02152	PK02152
3.			赤	三	95/11/05	FK	1/1



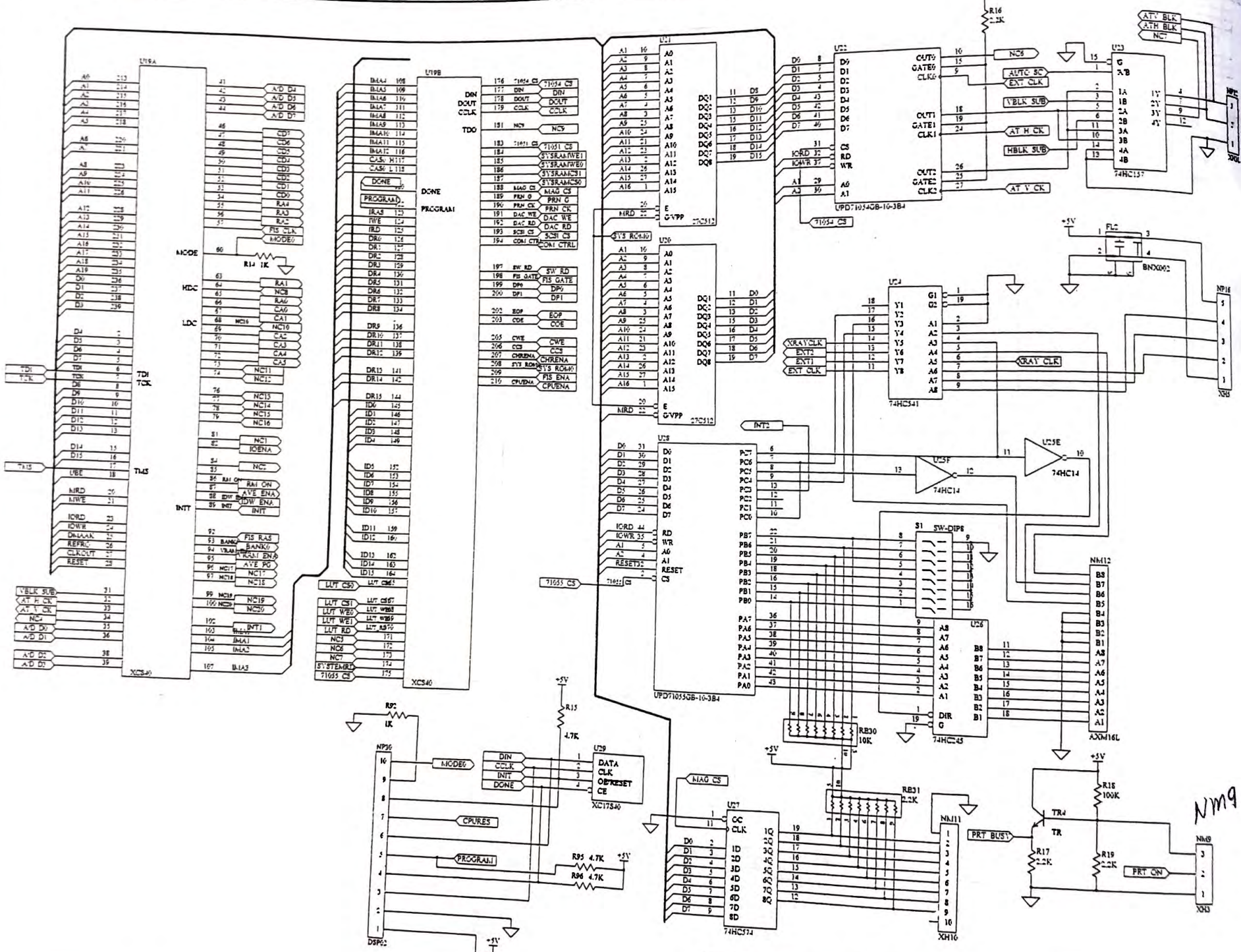




00/08/11 Y SATO S. SAZAKI

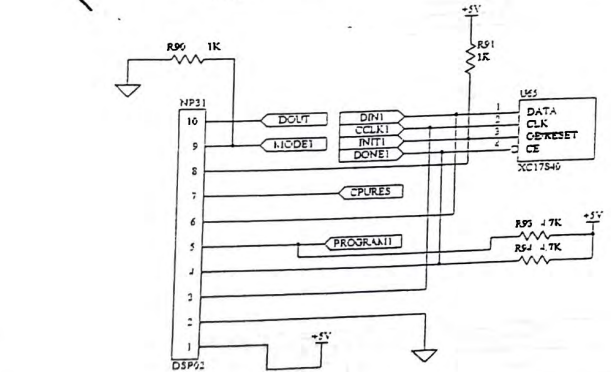
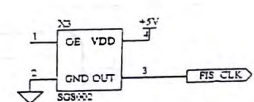
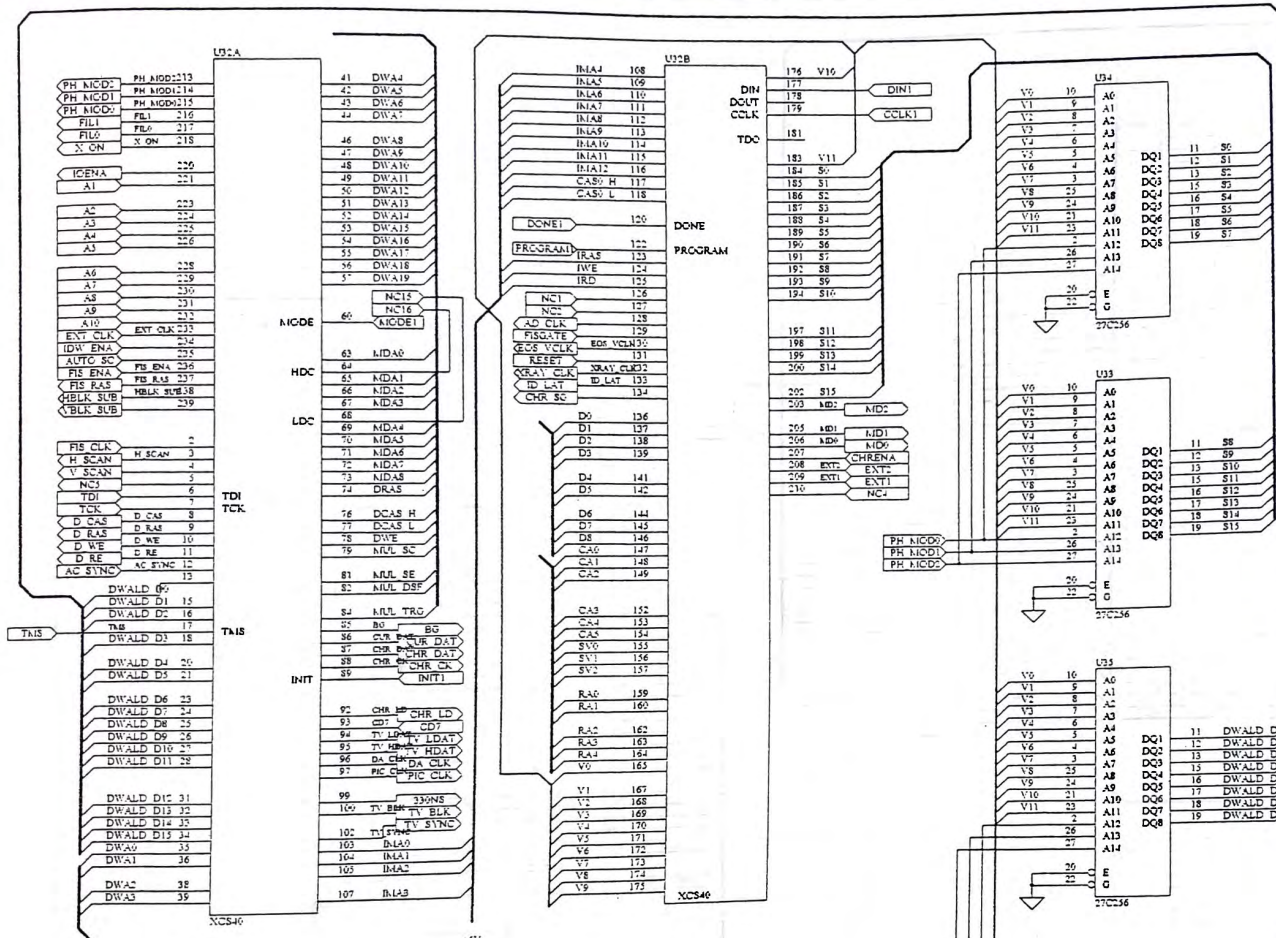
NOTES	CHGD.	APPD.	CHGD.	APPD.	DESN. NAME	DRAWING
1. 00.05.30 Y. SATO					Y. SATOH	FIS B.
					DESN. DATE	MARK
					00/05/30	PK02183
					NP	1/8



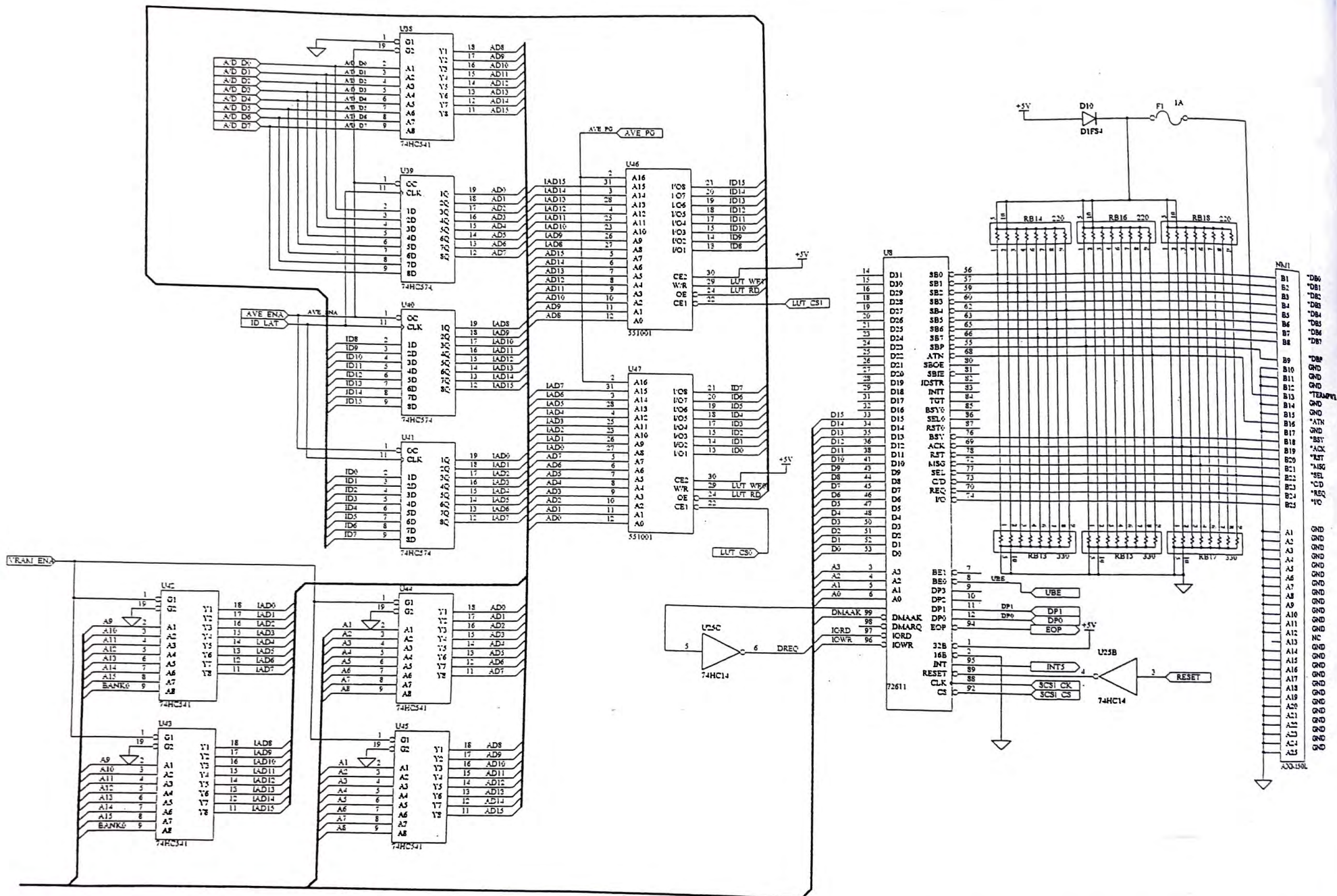


NOTE	CHKD.	APPD.	CHKD.	DRWN. NAME	DRAWING
1. DO. AC. 20 Y. SATO				Y. SATOH	FIS B.
				DRWN. DATE	MARK
				00/05/30	DRWN. NO.
					NP PK02183





NOTES	CHGD.	APPD.	CHGD.	APPD.	DESN. NAME	DRAWING
1.00-05.30 Y.SATO					Y. SATOH	FIS B.
					DESN. DATE	MARK
					00/05/30	PK02183
						PAGE
						3/8



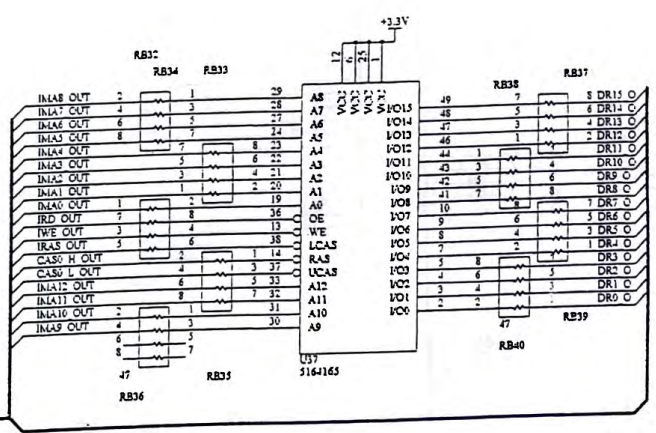
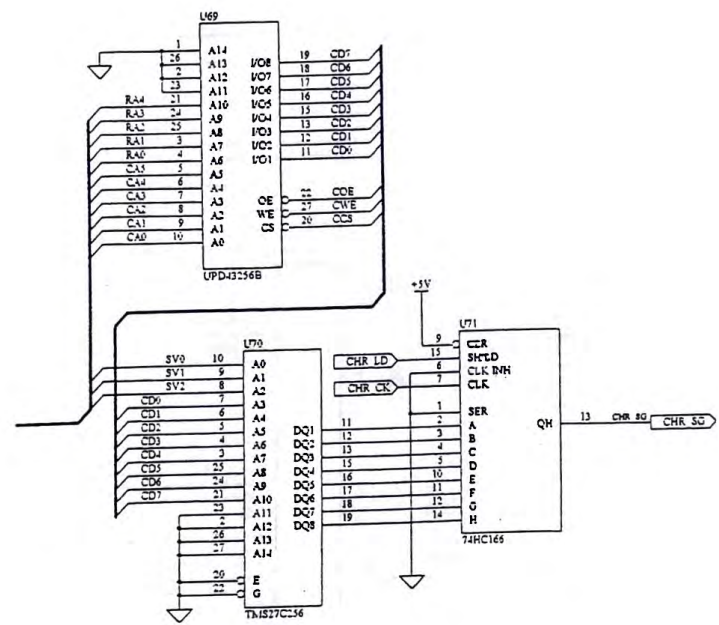
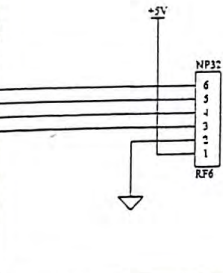
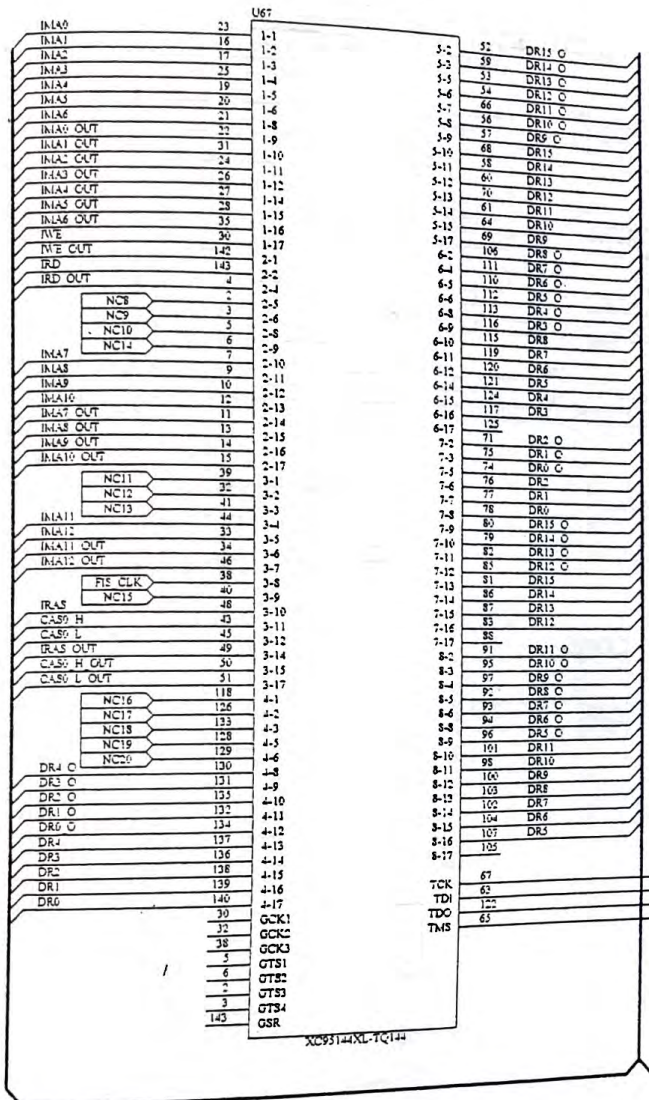
NOTES	CHKD.	APPD.	CHKD.	DRWN. NAME	DRAWING
1.00-05.30 y. Satp				Y. SATOH	FIS B.
				DRWN. DATE	DATE
				00/05/30	NP PK02183









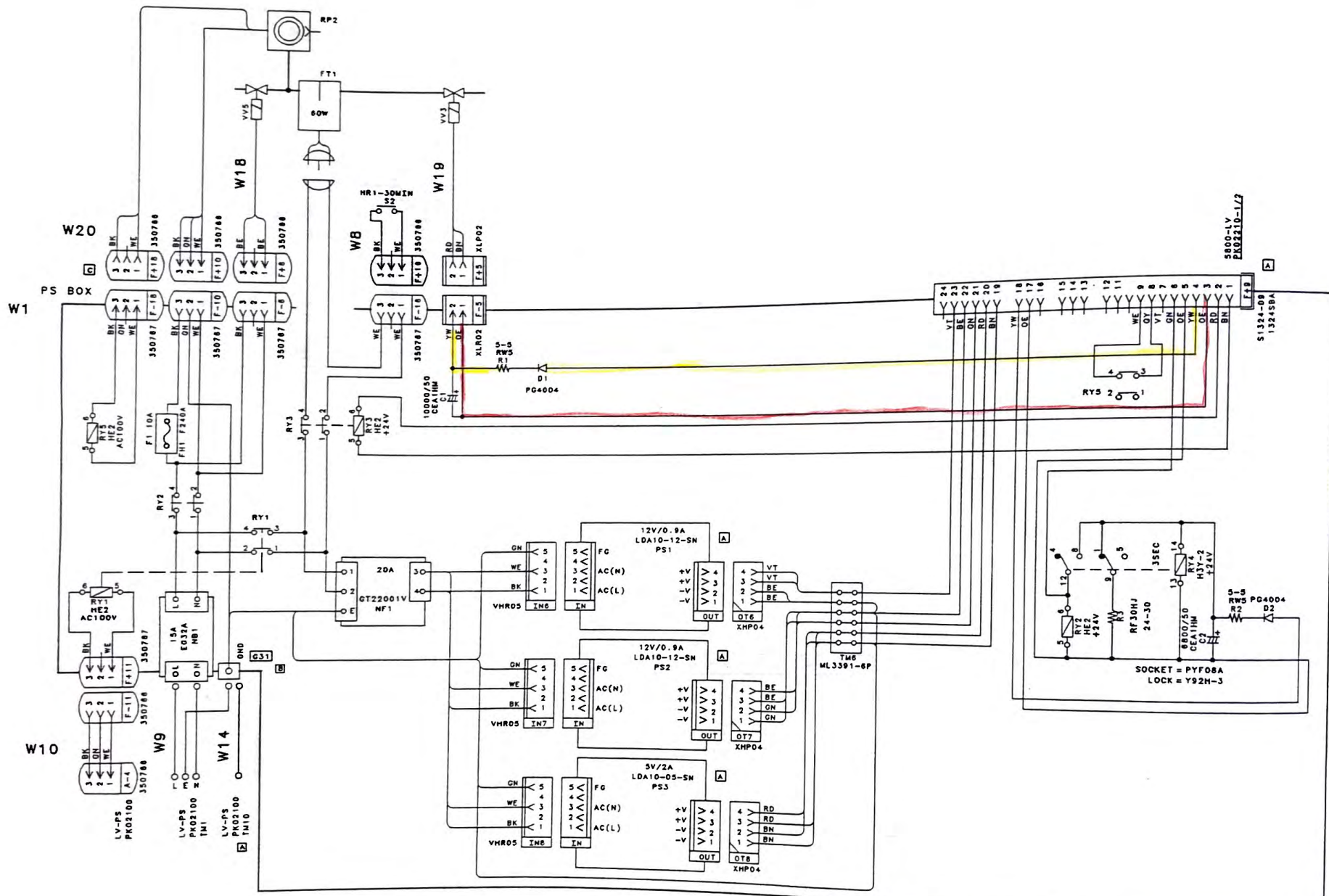


REV	CHKD.	APPD.	CHGD.	DATE	DRWN. NAME	DRAWING
1.00 of 30	Y. Satoh			00/05/30	Y. SATOH	FIS B.
					DRWN. DATE	NAME
						DRWN. NO.
						PAGE
					NP	PK02183
						7/8





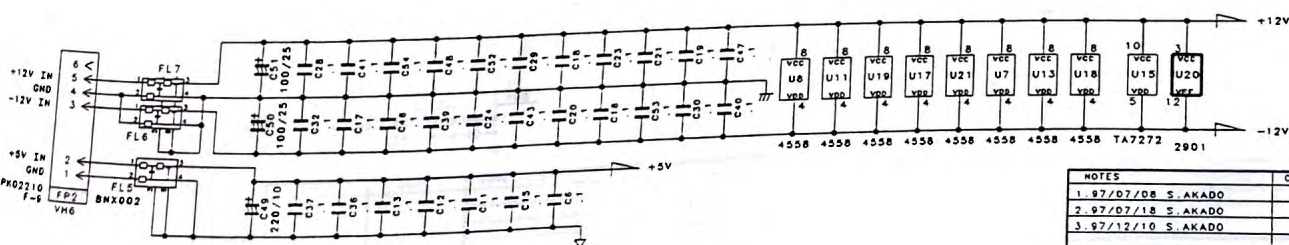
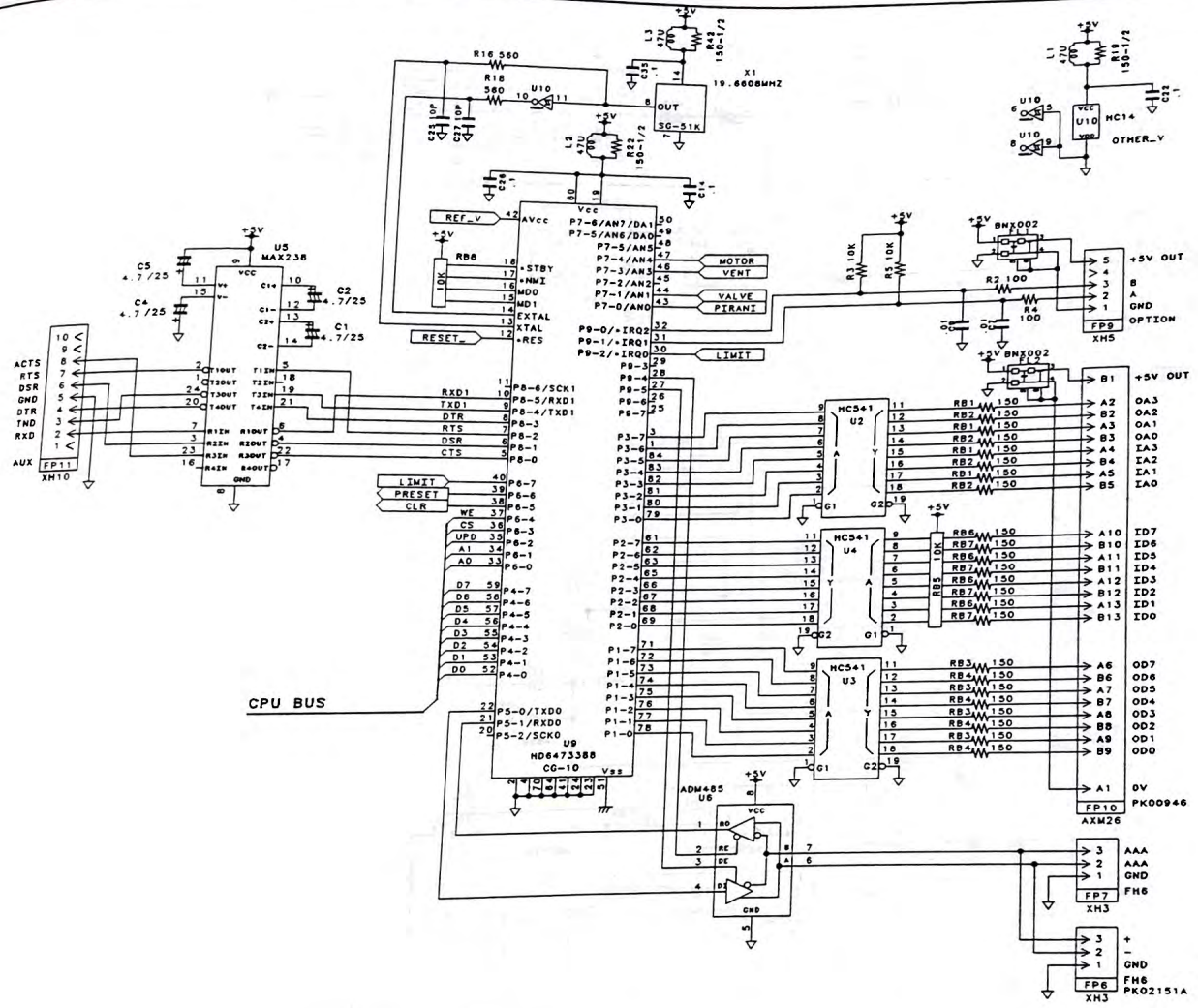




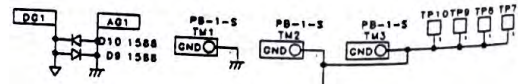
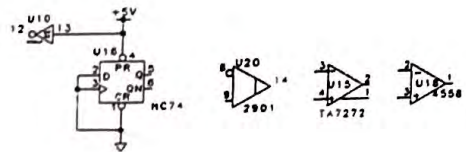
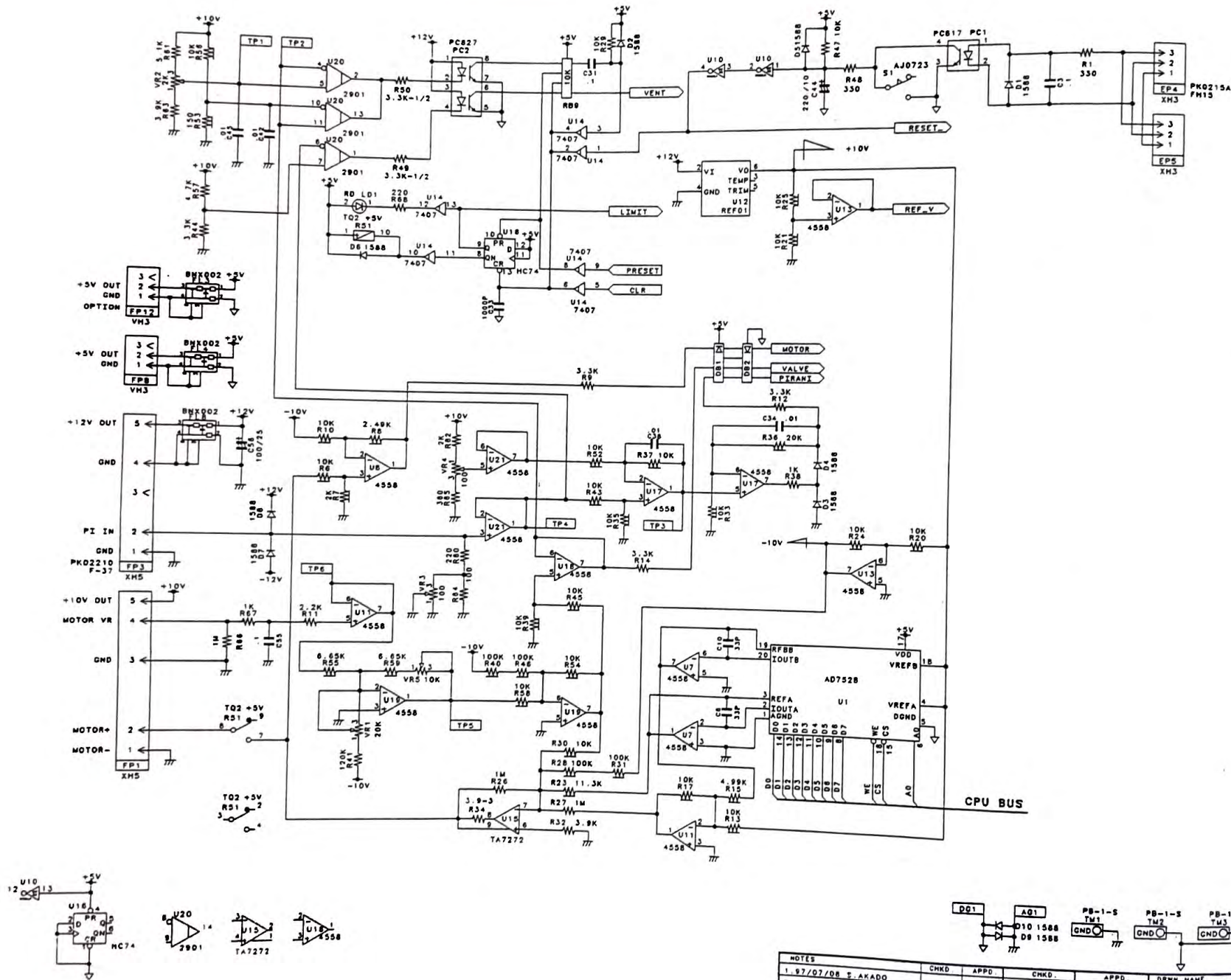
W21  
F2 10A  
GOL

NOTES				CHKD.	APPD.	CHKD.	APPD.	DRWN. NAME	DRAWING
								Y. SATOH	5600-LV
								DRWN. DATE	MARK
								96/08/23	LV
									PK02210





NOTES	CHKD.	APPD.	CHKD.	APPD.	DRWN. NAME	DRAWING		
1. 97/07/08 S. AKADO					Y. SATOH	LV CTRL B.		
2. 97/07/18 S. AKADO					DRWN. DATE	MARK	DRWN. NO.	PAGE
3. 97/12/10 S. AKADO					96/09/09	FP	PK02213	1/2

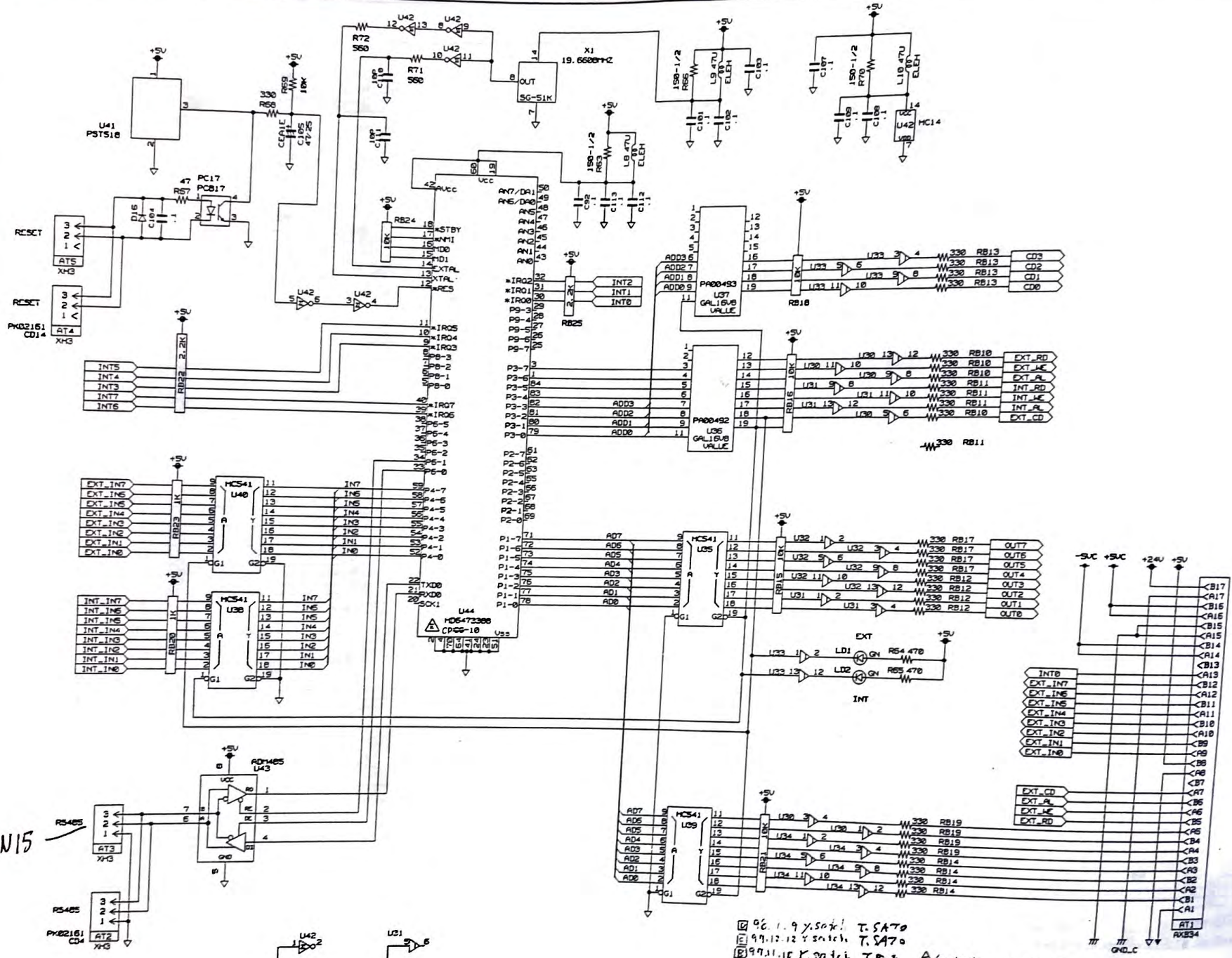


NOTES		CHKD	APPD	CHKD	APPD	DRWN NAME	DRAWING
1.	97/07/08 E. AKADO					Y. SATOH	LV CTRL B.
2.	97/07/18 E. AKADO						
3.	97/12/10 S. AKADO						
						DRWN DATE	MARK
						96/09/09	FP
							PK02213
							2/





LN15

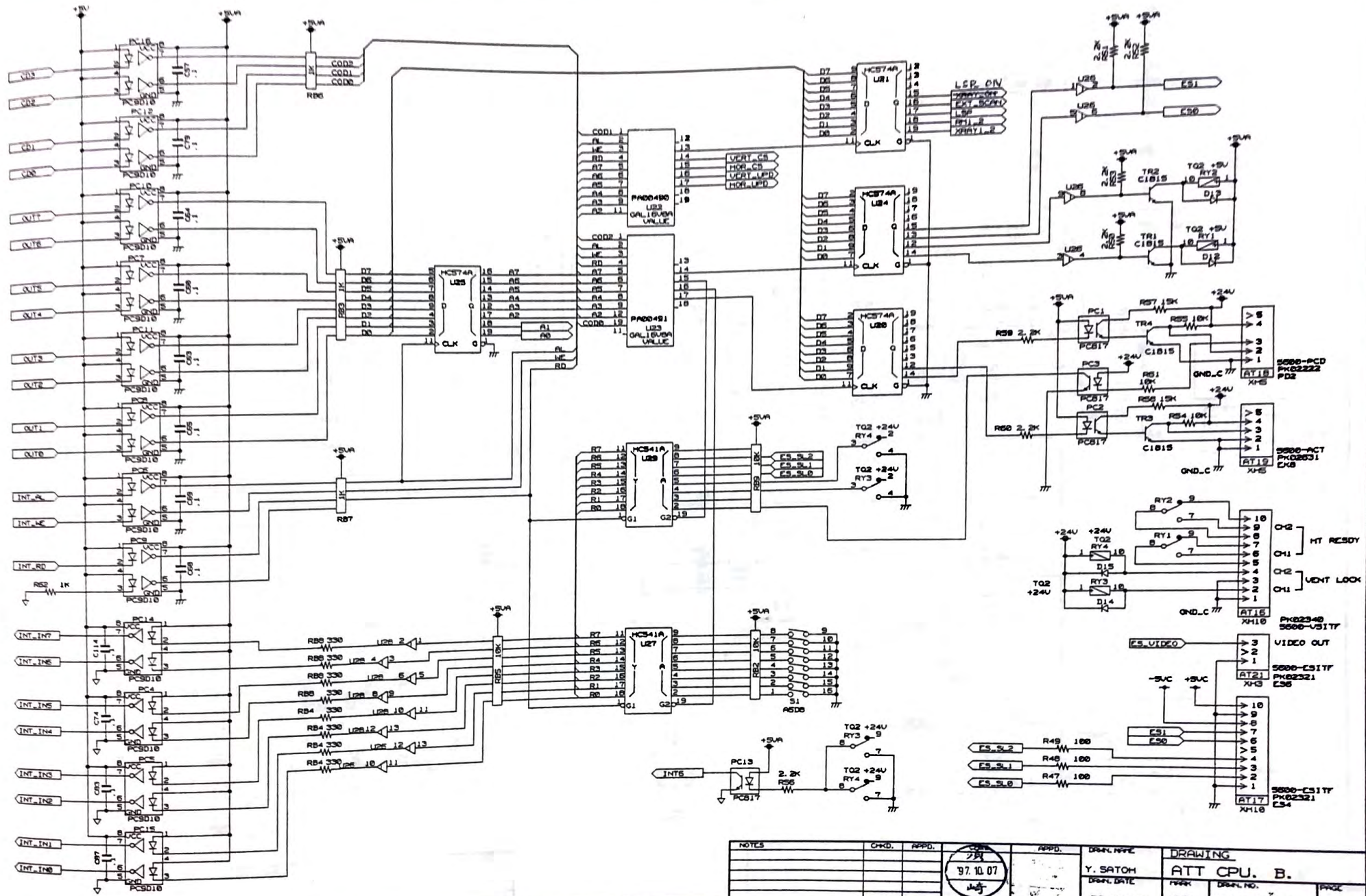


96.1.9 Y. SATOH T. SATO  
 97.12.12 Y. SATOH T. SATO  
 99.11.10 Y. SATOH T. SATO  
 97.10.05 Y. SATOH  
 00/01/12 N.S. J.Y. M.S.  
 99/11/02 N.S. J.Y. M.S.

REV.	DATE	BY	CHKD.	APPD.	DRWN.	DATE	BY
1	97/05/20	S. SUDAKI			Y. SATOH	97/04/16	AT
2							
3							
4							

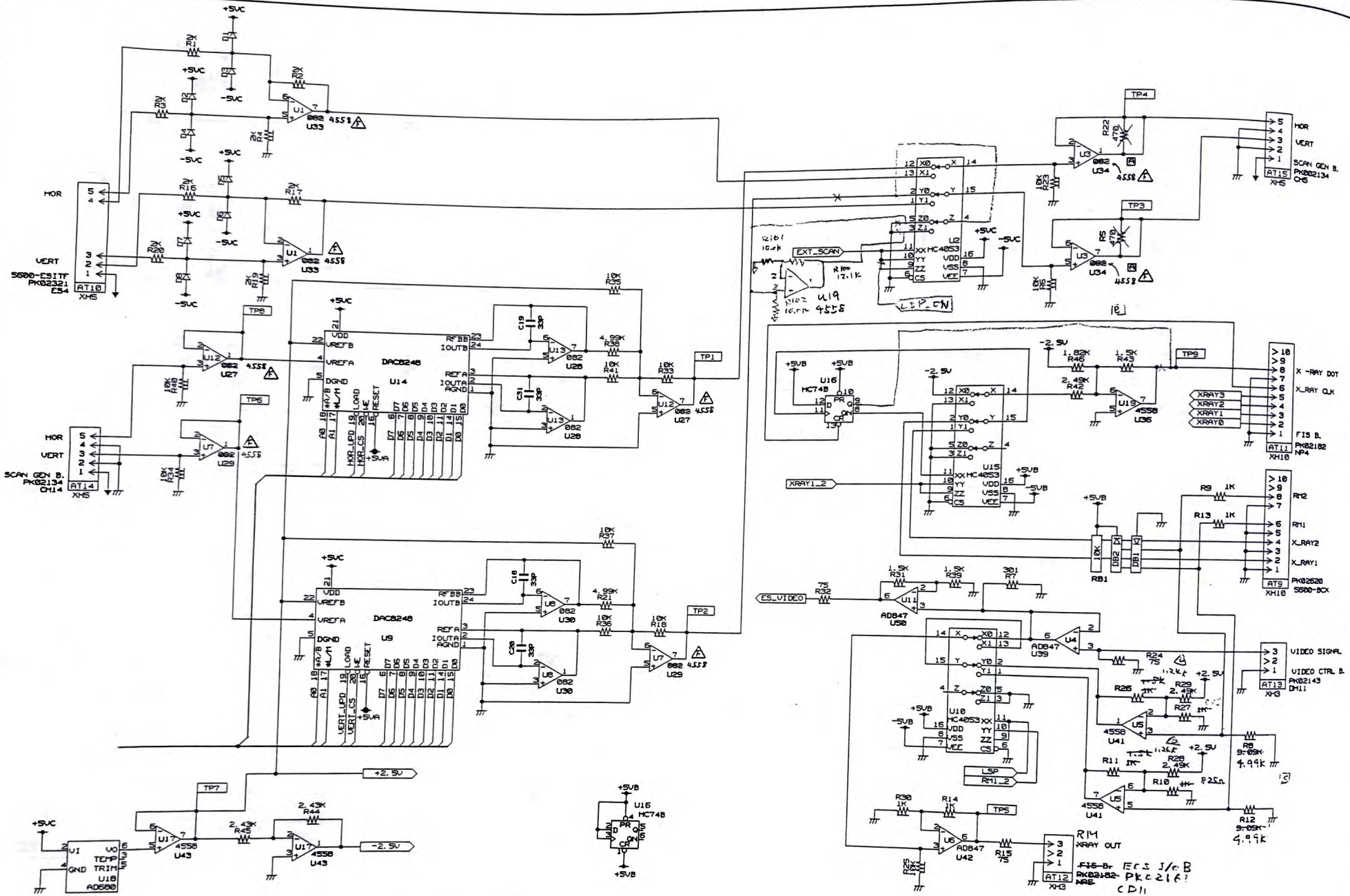
DRAWING: ATT CPU. B.  
 PK02591  
 L/4  
 97.10.07  
 97.10.07  
 97.10.07





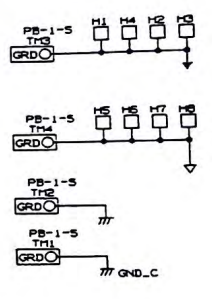
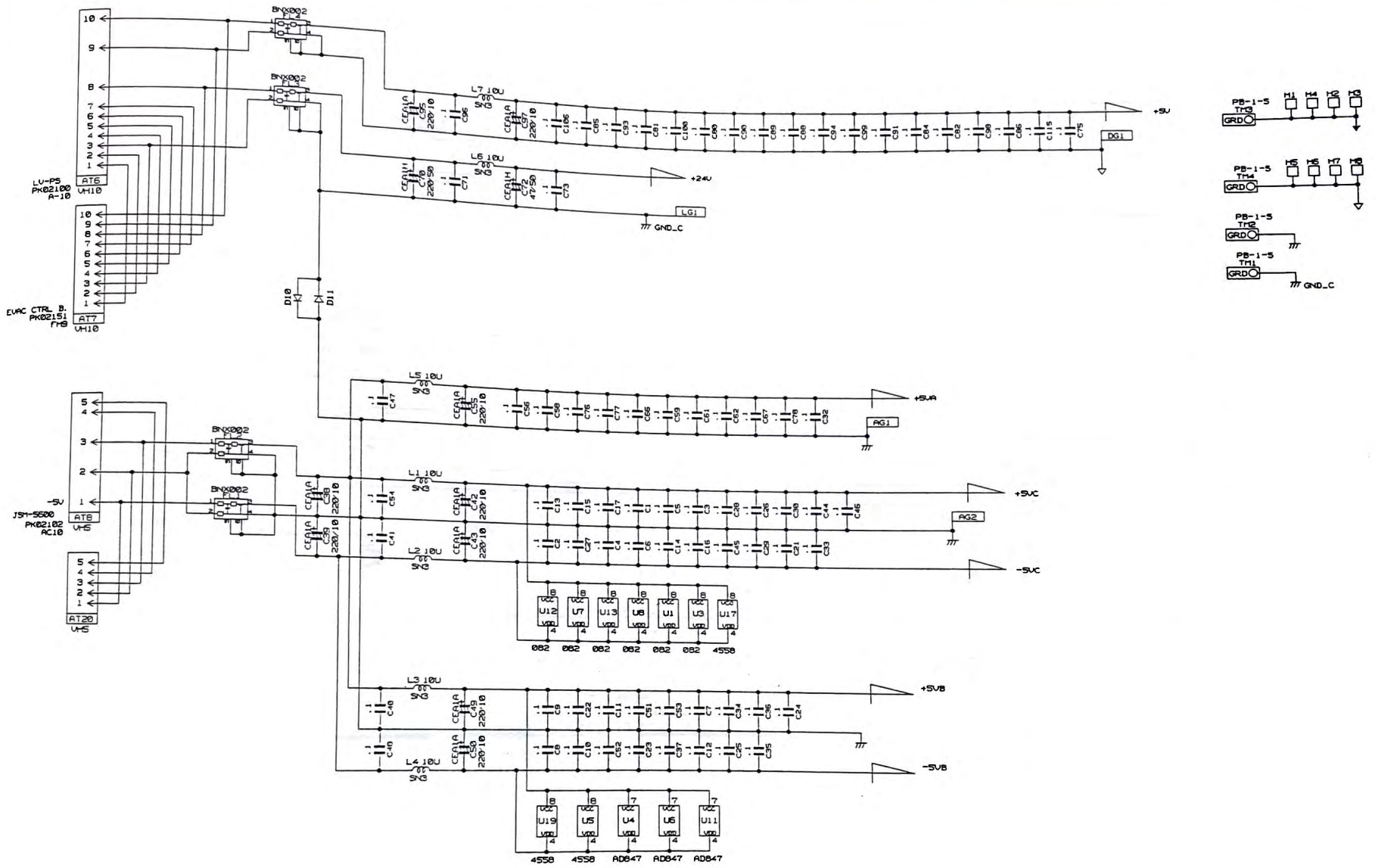
NOTES	CHKD.	APPD.	DATE	APPD.	DRWN. DATE	DRWN. NO.	DRAWING
			97.10.07		Y. SATOH		ATT CPU. B.
					DATE DATE		PK02591
					97/04/16		2/4



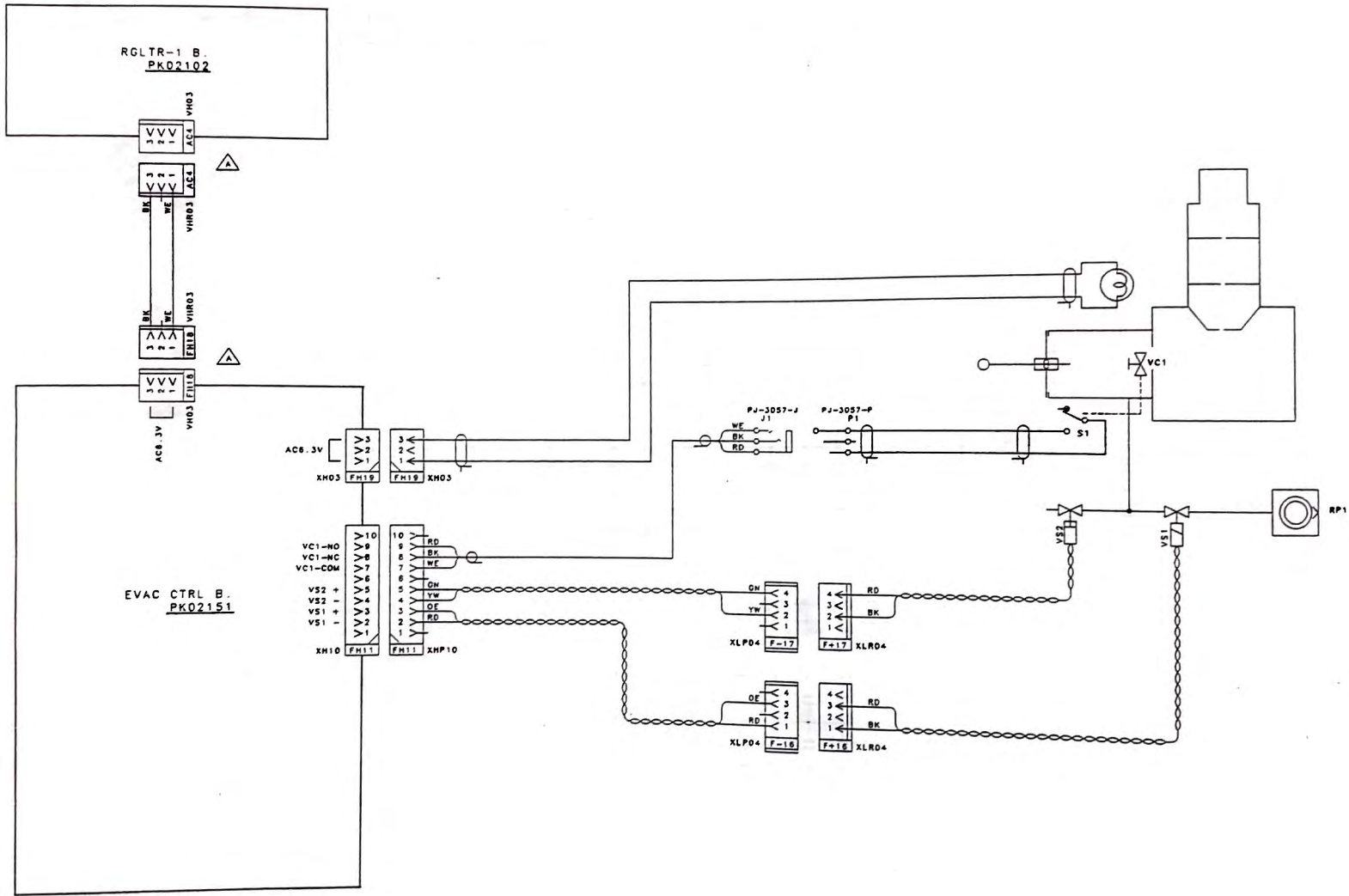


NO.	REV.	DATE	BY	CHKD.	APPD.	DRWN. NAME	DRAWING
						Y. SATOH	ATT CPU. B.
		97/10/07				DRWN. DATE	PK02591
						97/04/16	3/4





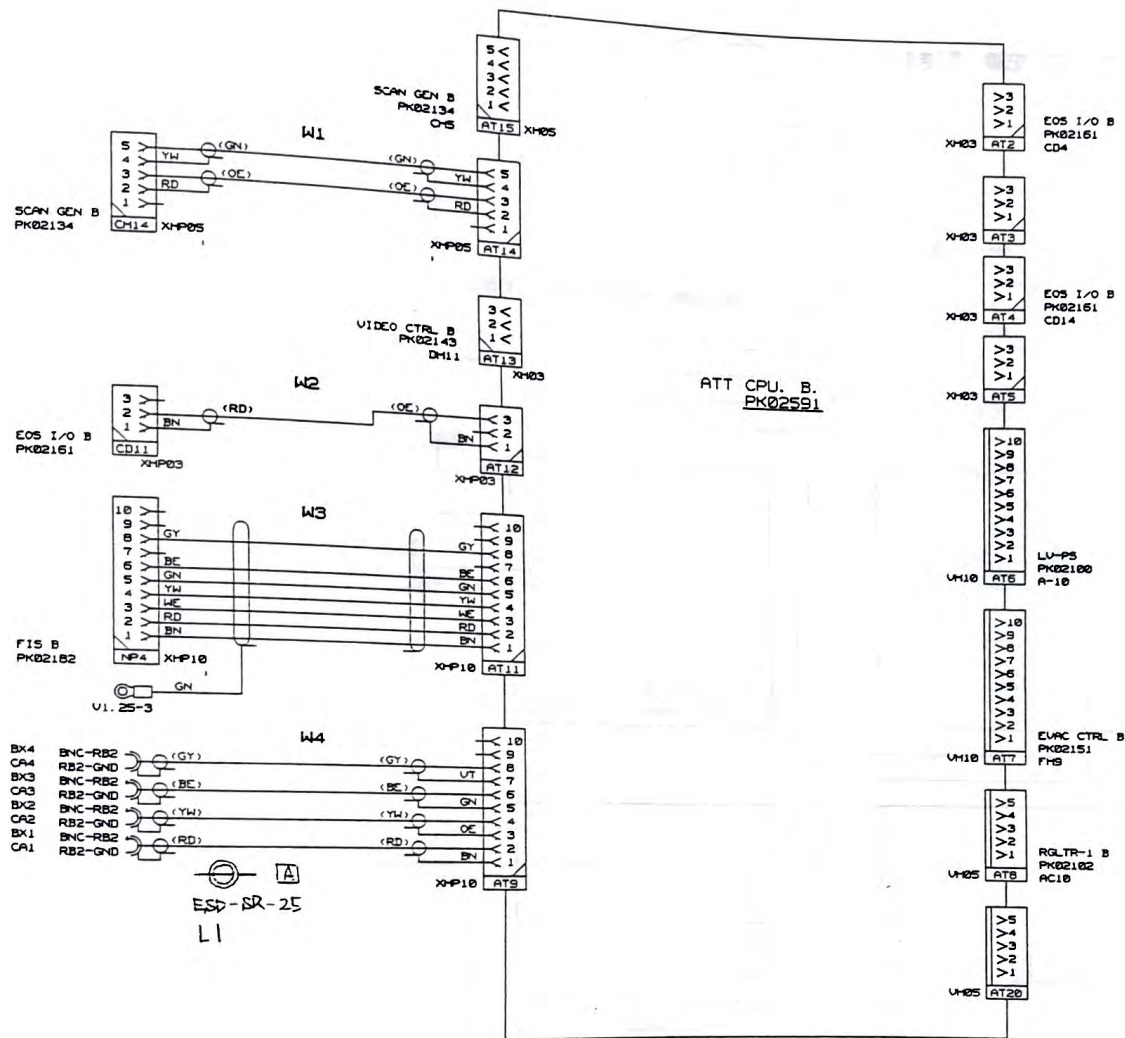
NOTES	CHKD.	APPD.	DATE	APPD.	DRAWN NAME	DRAWING
			97.10.07		Y. SATOH	ATT CPU. B.
					DRAWN DATE	MARK
					97/04/16	AT PK02591
						PAGE 4/4



97/11/21 T.KIMIYAMA

NOTES		CHKD.	APPD.	CHKD.	APPD.	DRWN. NAME	DRAWING
1. 97/05/19 T.KIMIYAMA						S. AKADO	5600-ALS
						DRWN. DATE	MARK
						97/04/14	AL
						PK02230	1/1



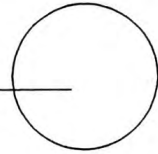


A1 99/11/18 H. Ishii S. Su 3261

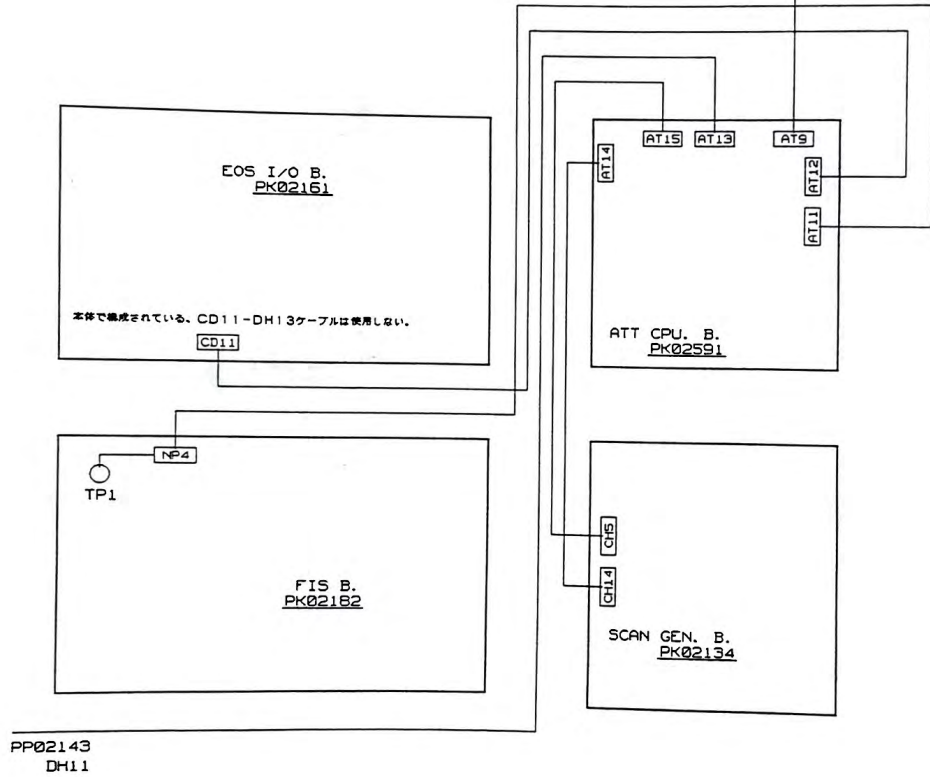
W1-W4

NOTES	CHKD.	APPD.	CHKD.	APPD.	DRWN. NAME	DRAWING	
1. 97/09/23 Y. SATOH					Y. SATOH	5500-BCX	
2. 97/10/17 S. AKADO					DRWN. DATE	PK02520.1	
3. 98/04/27 S. AKADO					PK02520	PK02520	1/2
					97/03/31	PK02520	1/2

本体装着時の、ケーブル配線（引き回し）

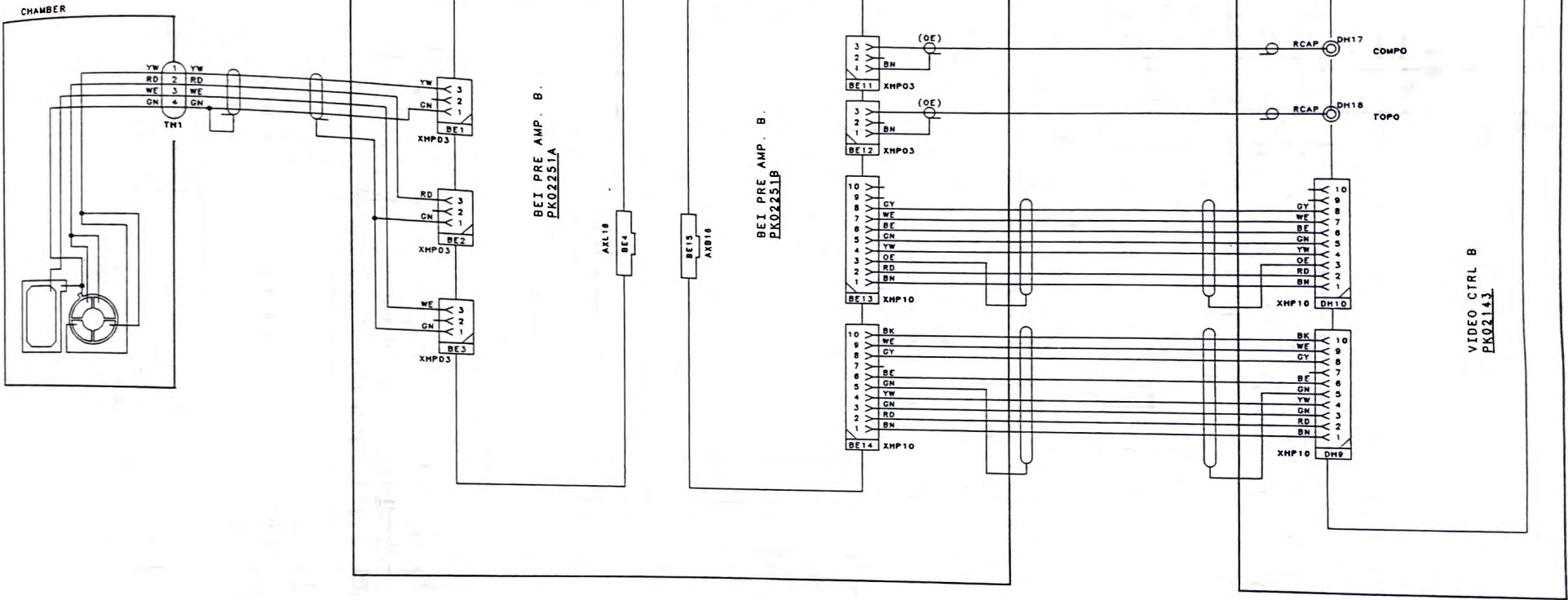


各ケーブルは、基板上を通らないようにすること。



NOTES	CHKD.	APPD.	CHKD.	APPD.	DRWN. NME.	DRAWING
1. 97/09/23 Y. SATOH					Y. SATOH	5500-BCX
2. 97/10/17 S. AKADO					DRWN. DATE	REV. DRWN. NO.
3. 98/04/27 S. AKADO					97/03/31	BX PK02520 2/2



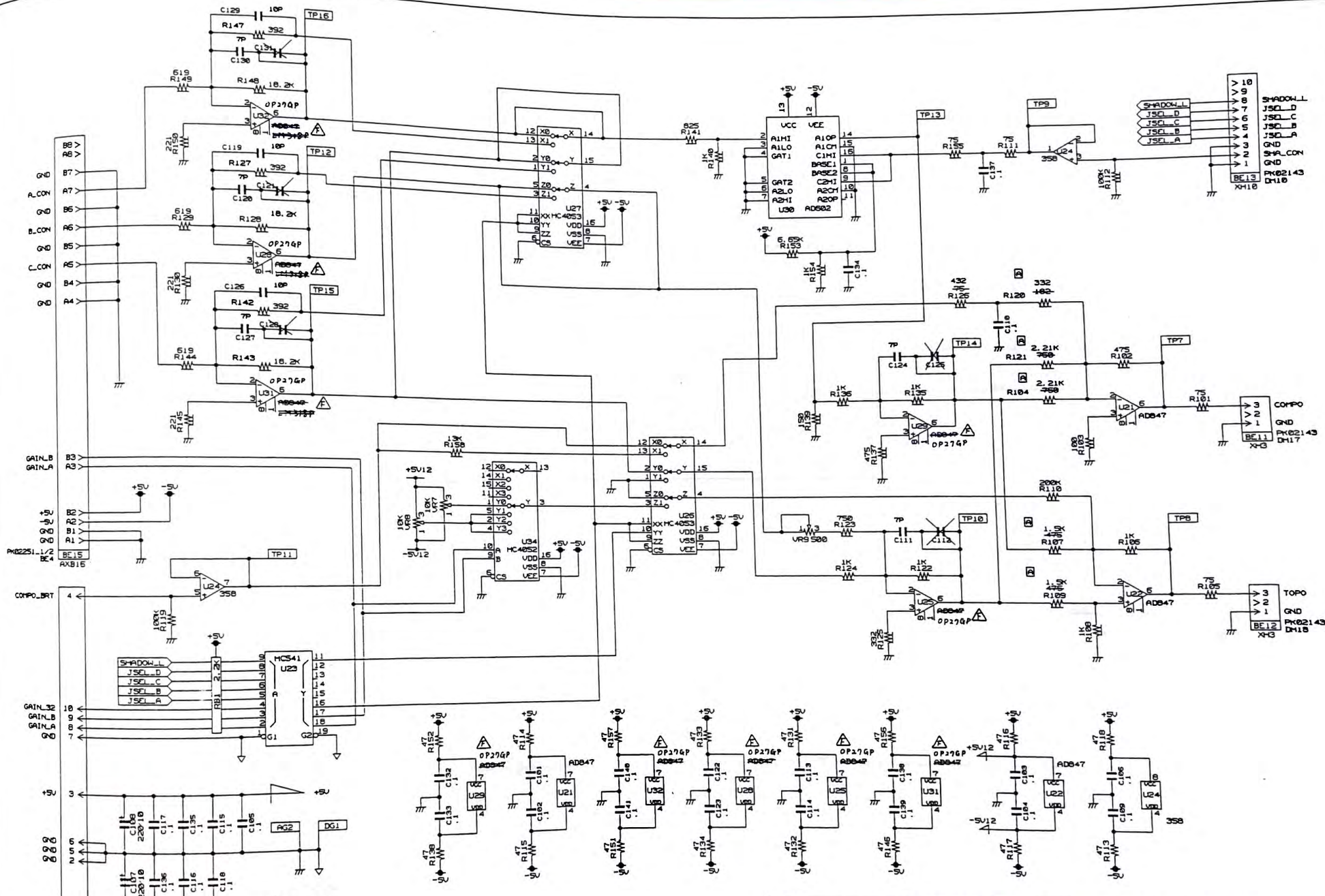


NOTES	CHKD.	APPD.	CHKD.	APPD.	DRWN. NAME	DRAWING		
					Y. SATOH	5600-BEIW		
					DRWN. DATE	MARK	DRWN. NO.	PAGE
					96/08/23	BE	PK02250	1/1

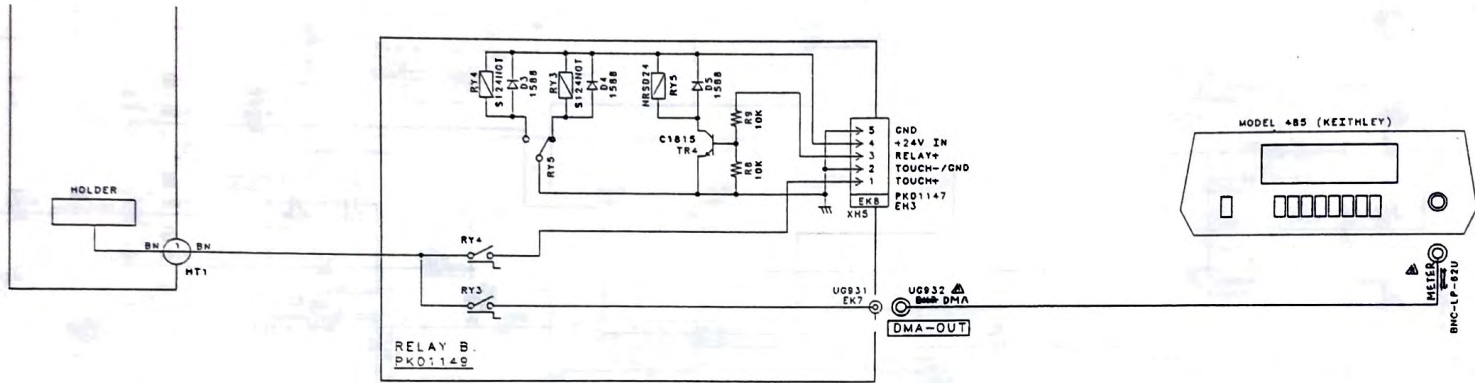
\*PM00050-0  
FRI Mar 7 14:42:01 1997







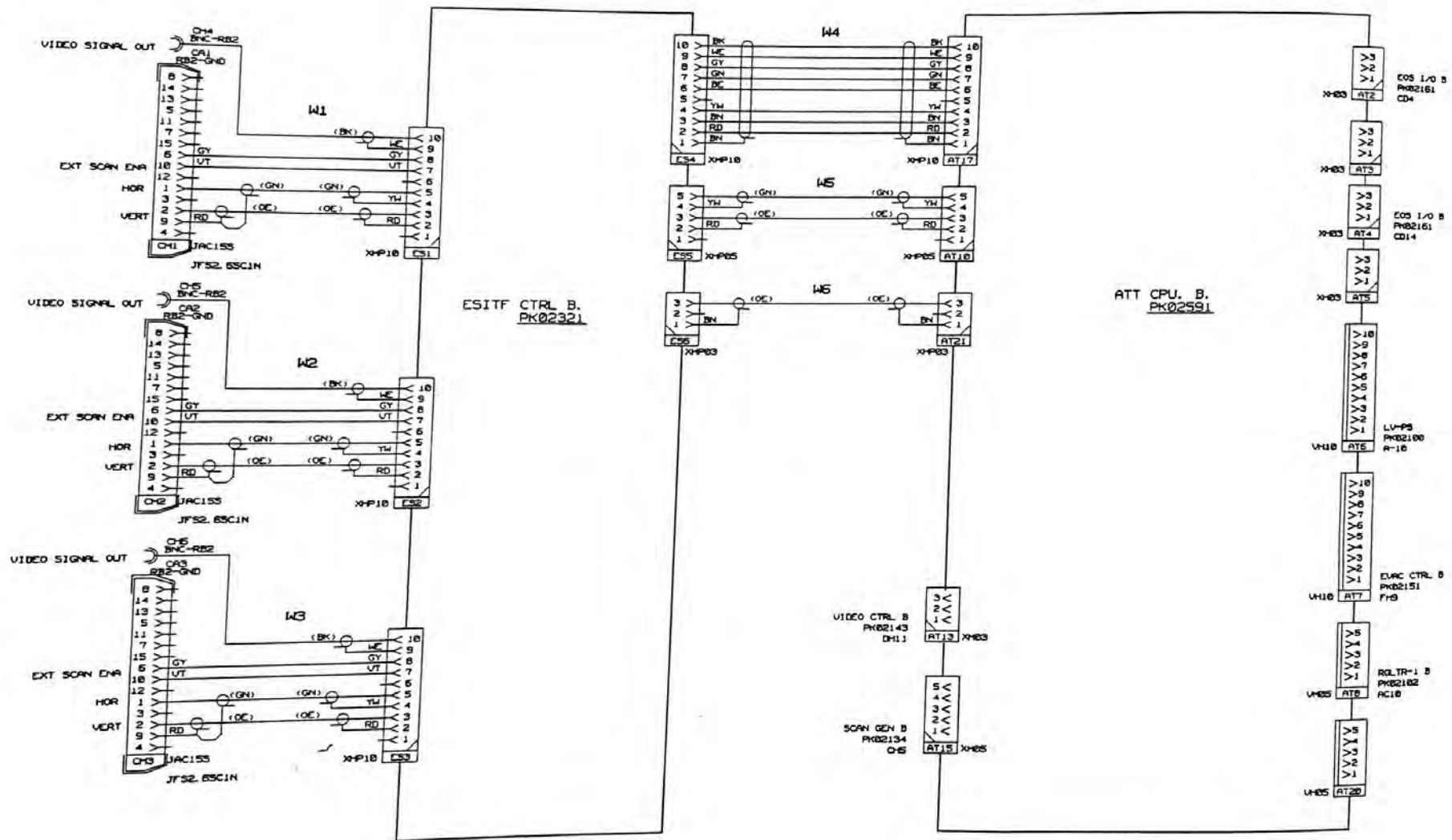
NOTES		CHKD.	APPD.	CHKD.	APPD.	DRWN. NAME	DRAWING	
						Y. SATOH	BEI PRE AMP. B.	
						DRWN. DATE	PK#	DRWN. NO.
						96/08/23	BE	PK02251
								2/2



94/03/14 M.S.		*PM01240_0	
NOTES 1. 2. 3. 4. 5.	DWG. NAME	DRAWING $\Delta$ CBL	
	T. SATOH	5800-DMA <del>111</del>	
	DWG. DATE	MARK	DWG. NO
	93/08/23	EE	PK01240
			PAGE
		1/2	





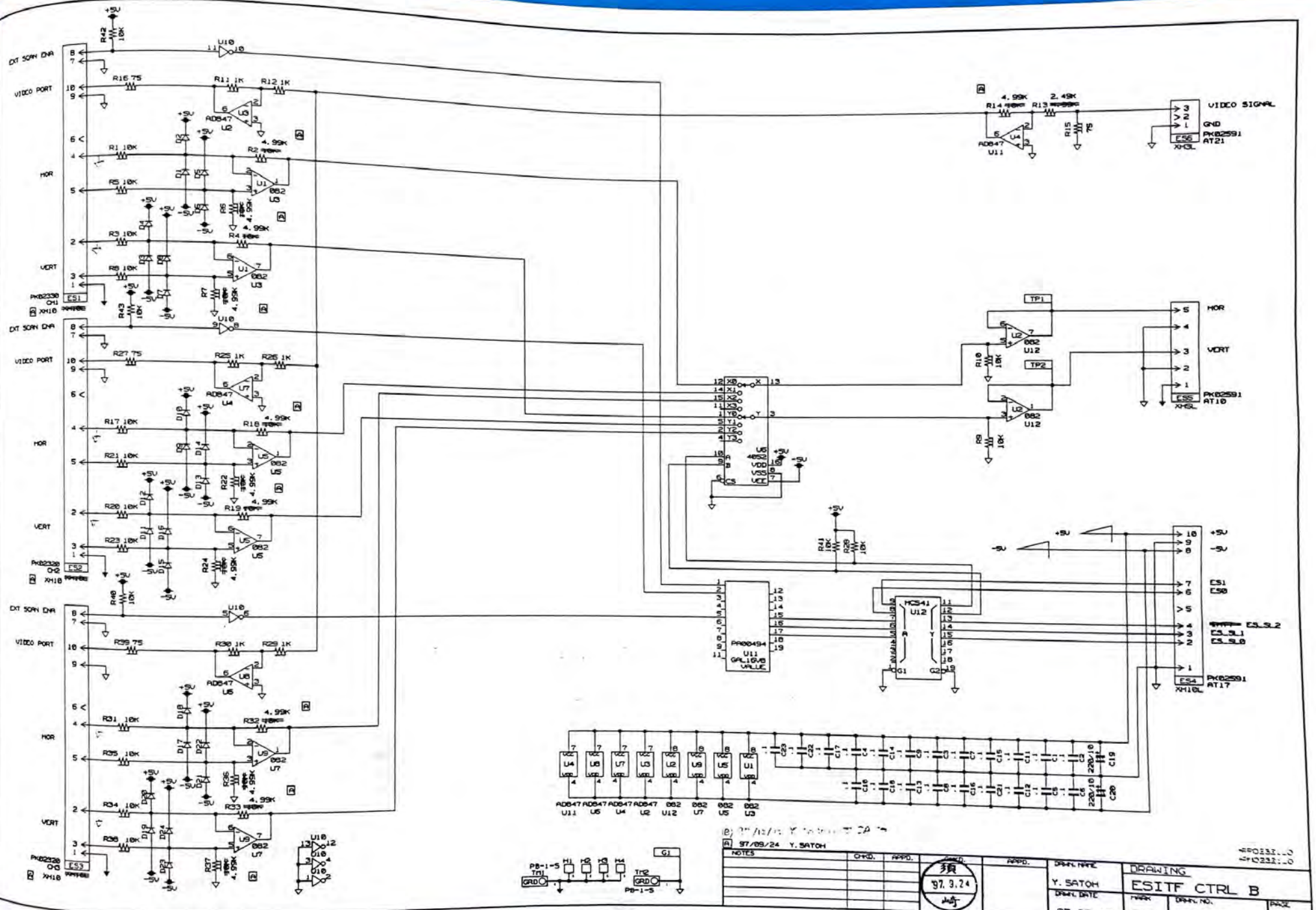


W1-W6

PK02321-1

NOTES		CHKD.	APPD.	CHKD.	APPD.	DSGN. NAME	DRAWING	
1.	97/09/23 Y. SATOH					Y. SATOH	5600-ESITF	
2.	98/04/27 S. FUKUDA					DSGN. DATE	PK02320	1/1
						97/04/16	ES	1/1





97/05/24 Y. SATOH

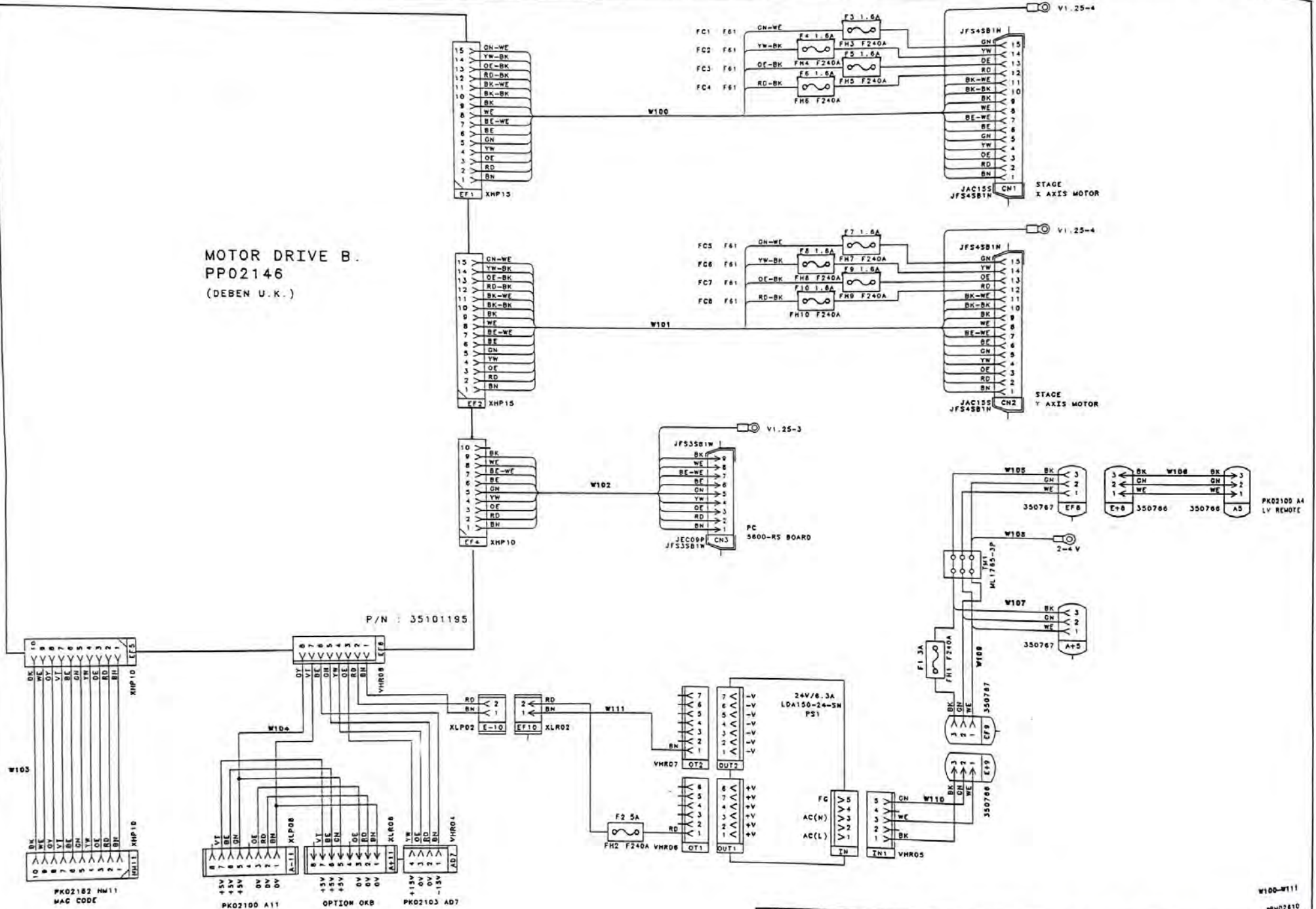
NOTES	CHG.	APPD.	CHKD.	DATE
				97/05/13

DRAWING		PK02321	
ESITF CTRL B		1/1	

4902321.0  
4902321.0

Wed Sep 24 15:41:58 1997

MOTOR DRIVE B.  
PP02146  
(DEBEN U.K.)



W104は、本機で使用しているシッパ-チップの※へ入れること。

NO.	CHKD.	APPD.	CHKD.	APPD.	DRWN. NAME	DRAWING	
1					S. AKADO	MOTOR STAGE	
2					DRWN. DATE	MARK	DRWN. NO.
3					96/06/19	EE	PK02610
4							1/1

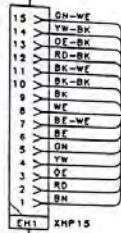


Z MOTOR DRIVE B.  
PP02147  
(DEBEN U.K.)

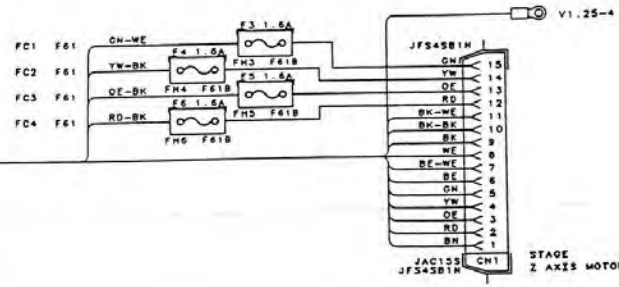
EH2

EF4

MOTOR DRIVE B.  
PP02146  
(DEBEN U.K.)

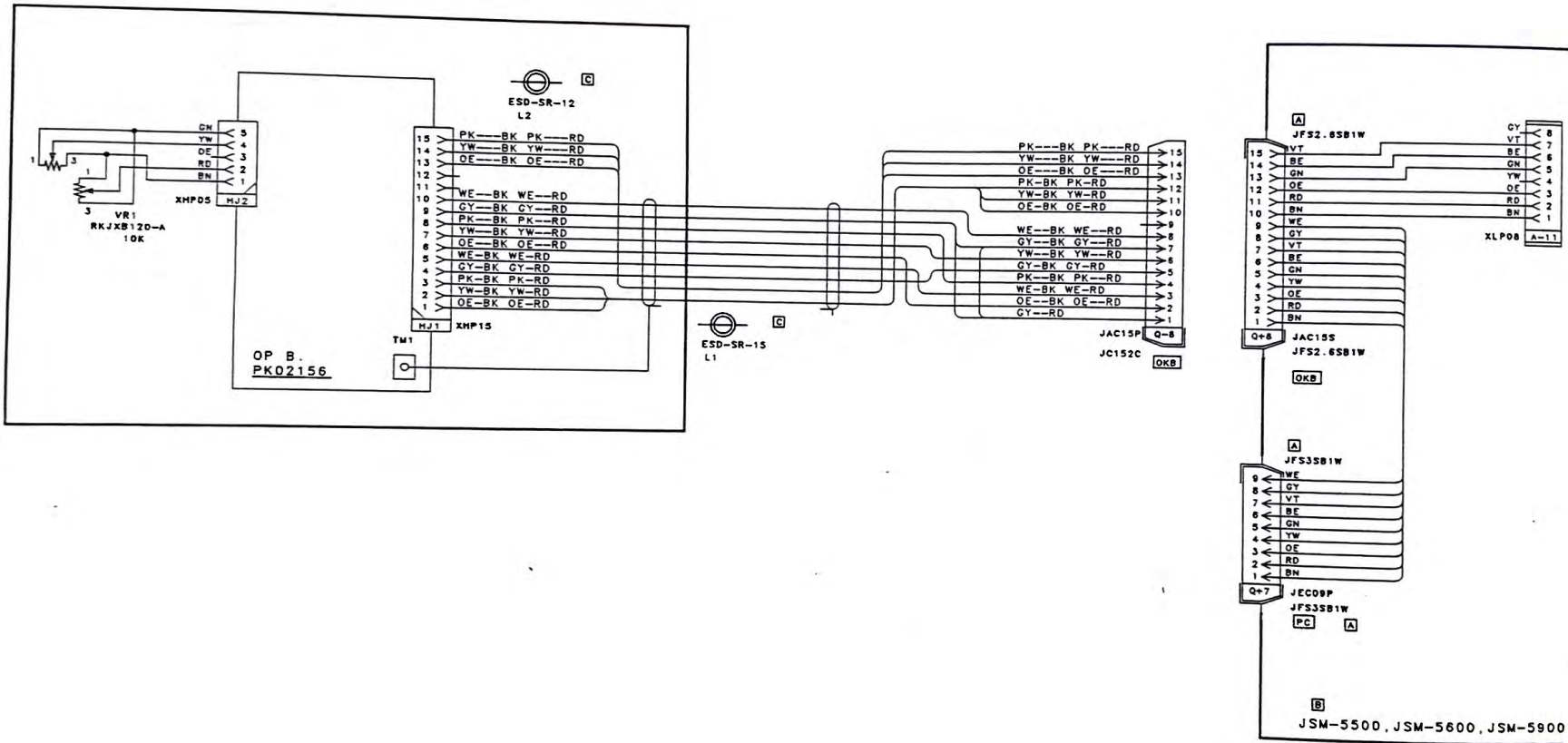


W120



W100-W111  
\*PM02611

NOTES	CHKD.	APPD.	CHKD.	APPD.	DRWN. NAME	DRAWING		
1.					S. AKADO	Z MOTOR DRIVER		
2.					DRWN. DATE	MARK	DRWN. NO.	PAGE
3.					98/03/06	EF	PK02611	1/1
4.								

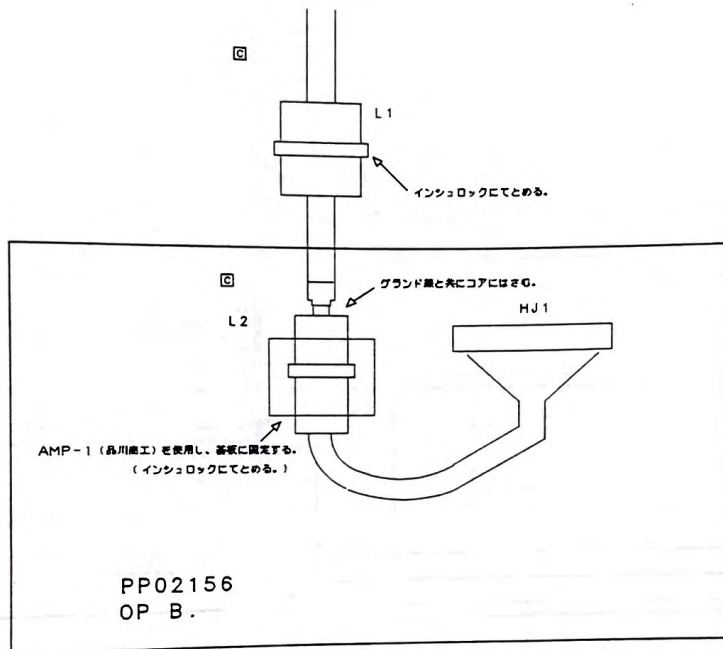


- 99/11/17 H. ISHII
- 99/03/12 S. SUZAKI
- 97/12/05 S. AKADO

NOTES	CHKD.	APPD.	APPD.	DRWN. NAME	DRAWING	
1. 05/11/28 Y. SATOH				T. SATOH	OP PANEL	
2. 06/03/10 Y. SATOH				DRWN. DATE	MARK	DRWN. NO.
3. 97/10/09 S. AKADO				94/07/07	HH	PK02155
4.						1/2
5.						

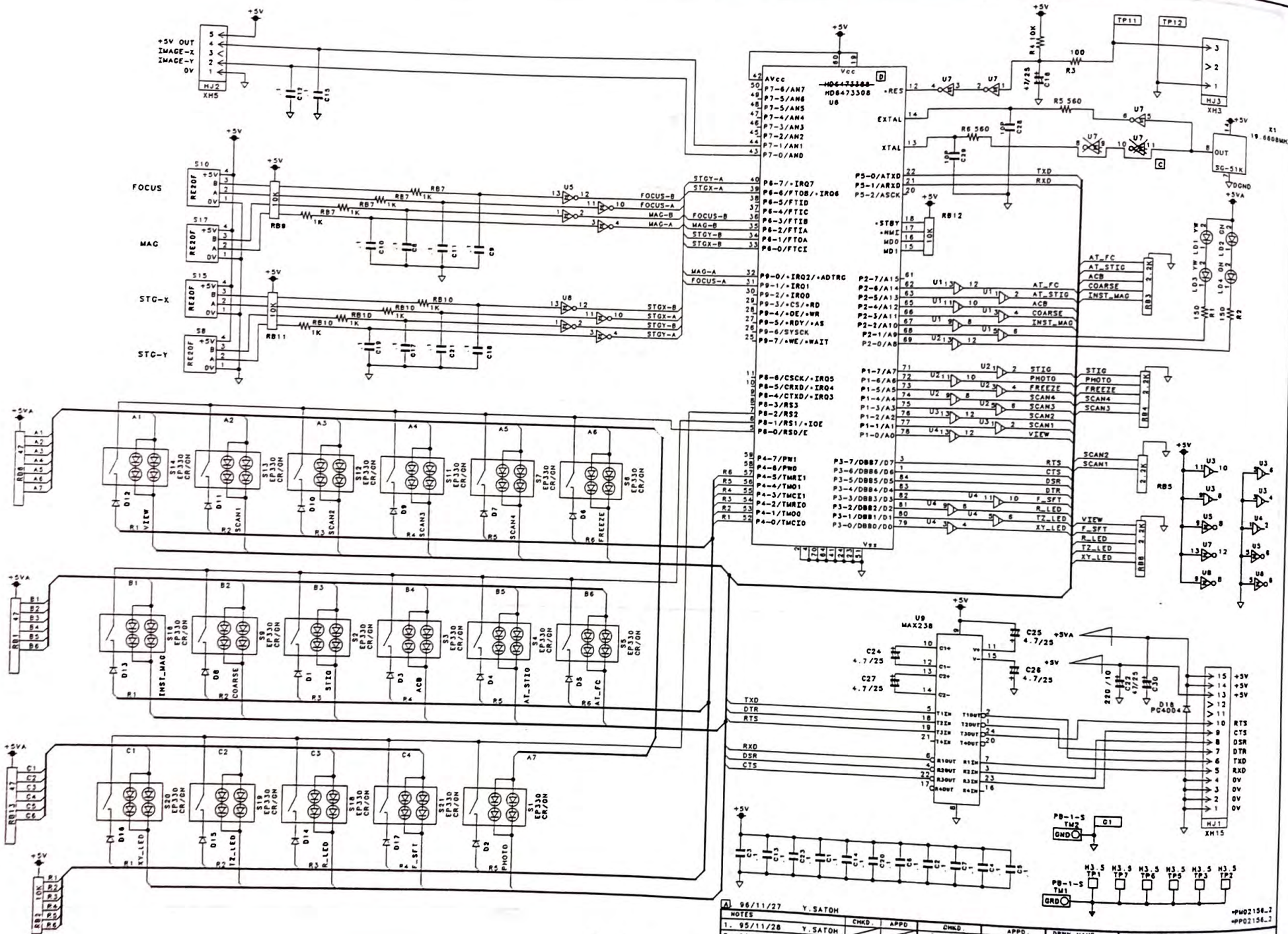


コア取り付け要領



PP02156  
OP B.

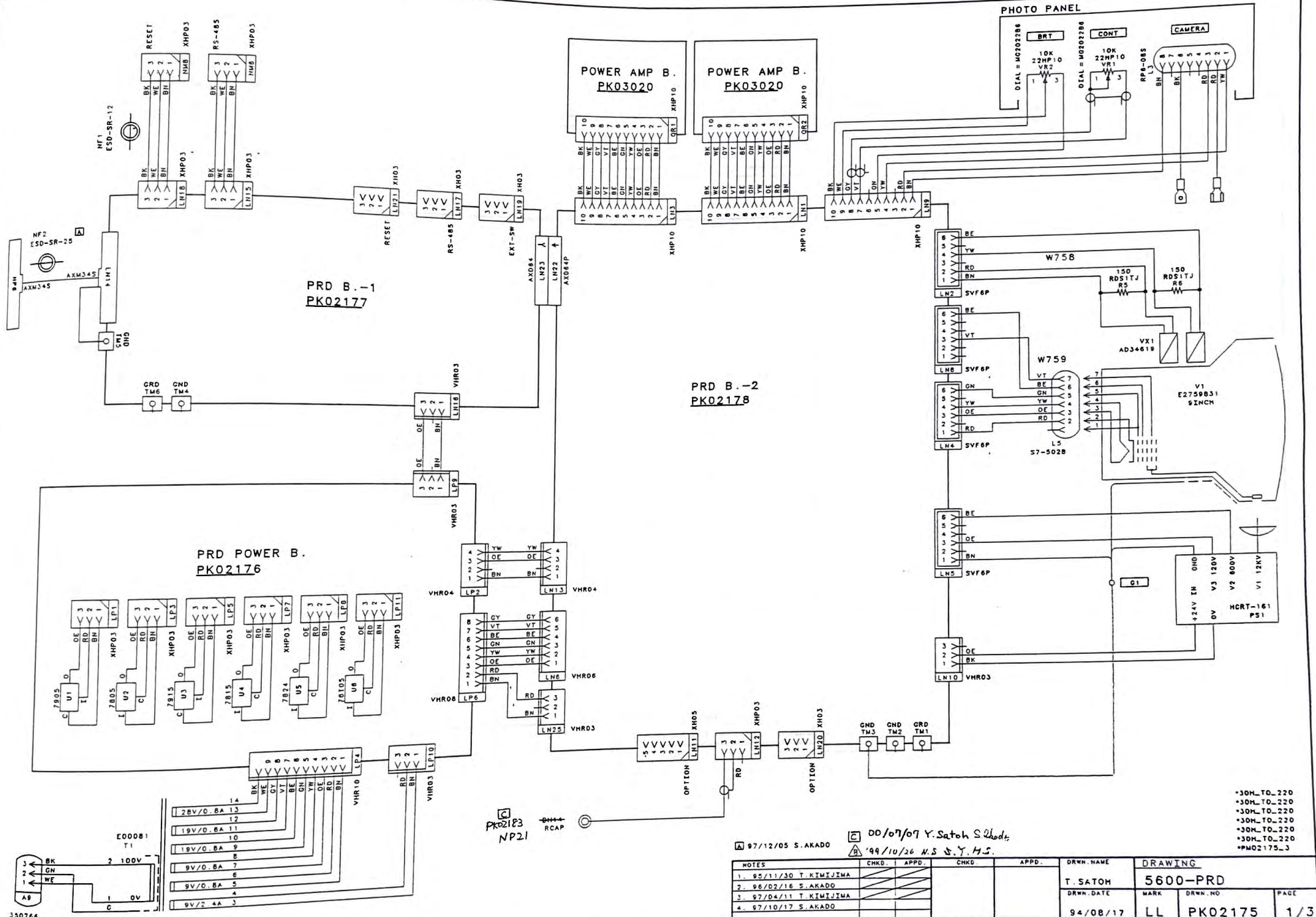
NOTES	CHKD	APPD	CHKD	APPD	DRWN. NAME	DRAWING		
6.					T. SATOH	OP PANEL		
7.						DRWN. DATE	MARK	DRWN. NO.
8.					94/07/07	HH	PK02155	2/2
9.								
10.								



A 98/11/27 Y. SATOH		Y. SATOH		Y. SATOH		Y. SATOH		Y. SATOH	
NOTES		CHKD	APPD	CHKD	APPD	DRWN. NAME	DRAWING		
1.	95/11/28	Y. SATOH				I. SATOH	OP B.		
2.	96/07/28	Y. SATOH				DRWN. DATE	MARK	DRWN. NO.	PAGE
3.						94/06/14	HJ	PK02156	1/1
4.									
5.									

98/01/21 Y. SATOH  
 97/10/14 S. AKADO  
 97/02/14 Y. SATOH





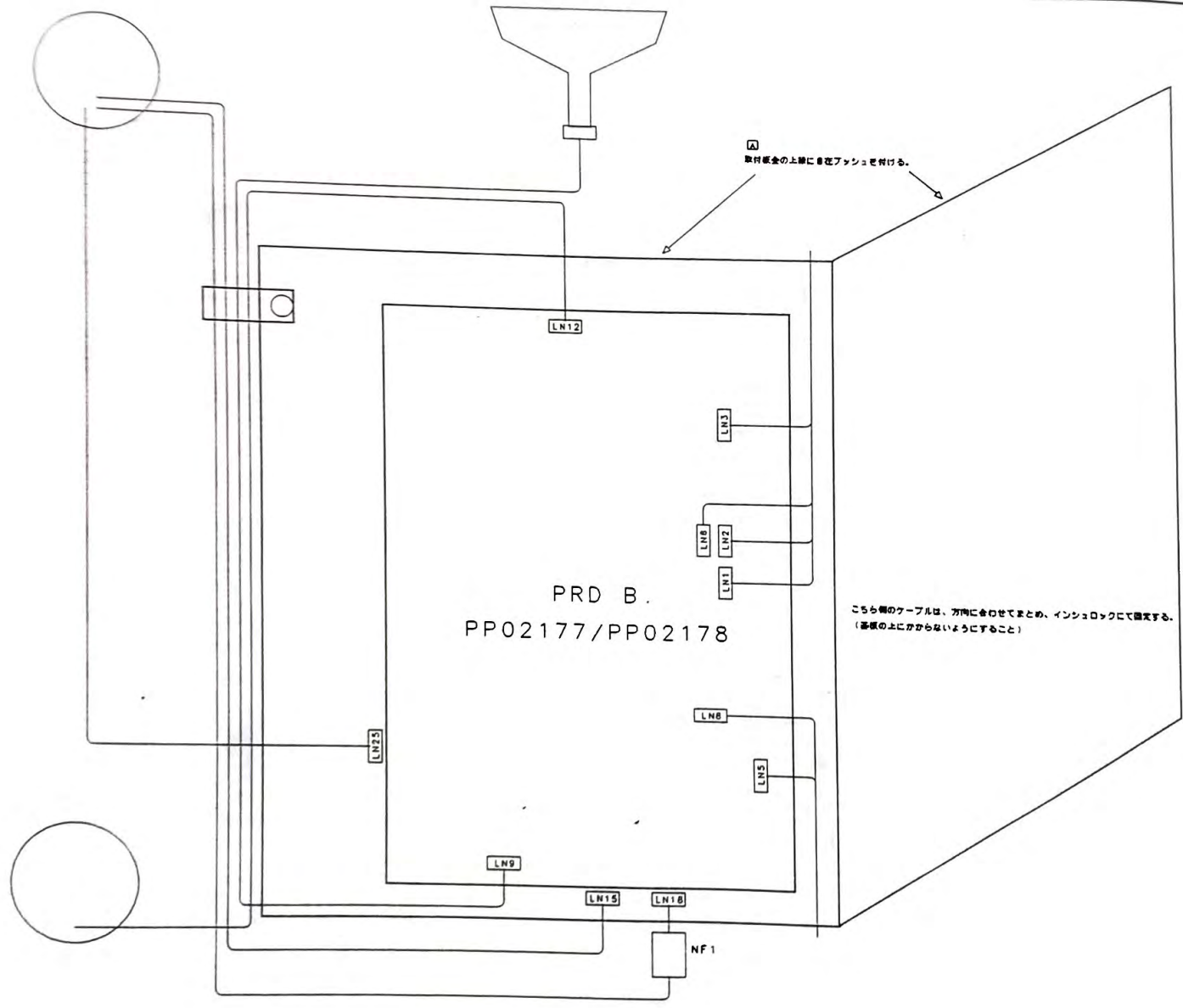
330766

PK02173  
NP21

97/12/05 S. AKADO  
00/07/07 Y. Satoh S. Shoda  
99/10/30 N.S. S.Y.H.S.

NOTES	CHKD	APPD.	CHKD	APPD.	DRWN. NAME	DRAWING		
1. 95/11/30 T. KIWIJIMA					T. SATOH	5600-PRD		
2. 96/02/16 S. AKADO					DRWN. DATE	MARK	DRWN. NO.	PAGE
3. 97/04/11 T. KIWIJIMA					94/08/17	LL	PK02175	1/3
4. 97/10/17 S. AKADO								

- \*30M\_TO\_220
- \*30M\_TO\_220
- \*30M\_TO\_220
- \*30M\_TO\_220
- \*30M\_TO\_220
- \*30M\_TO\_220
- \*30M\_TO\_220
- \*PM02175\_3



PRD B.  
PP02177/PP02178

A 取付板金の上面に非電圧シユを付ける。

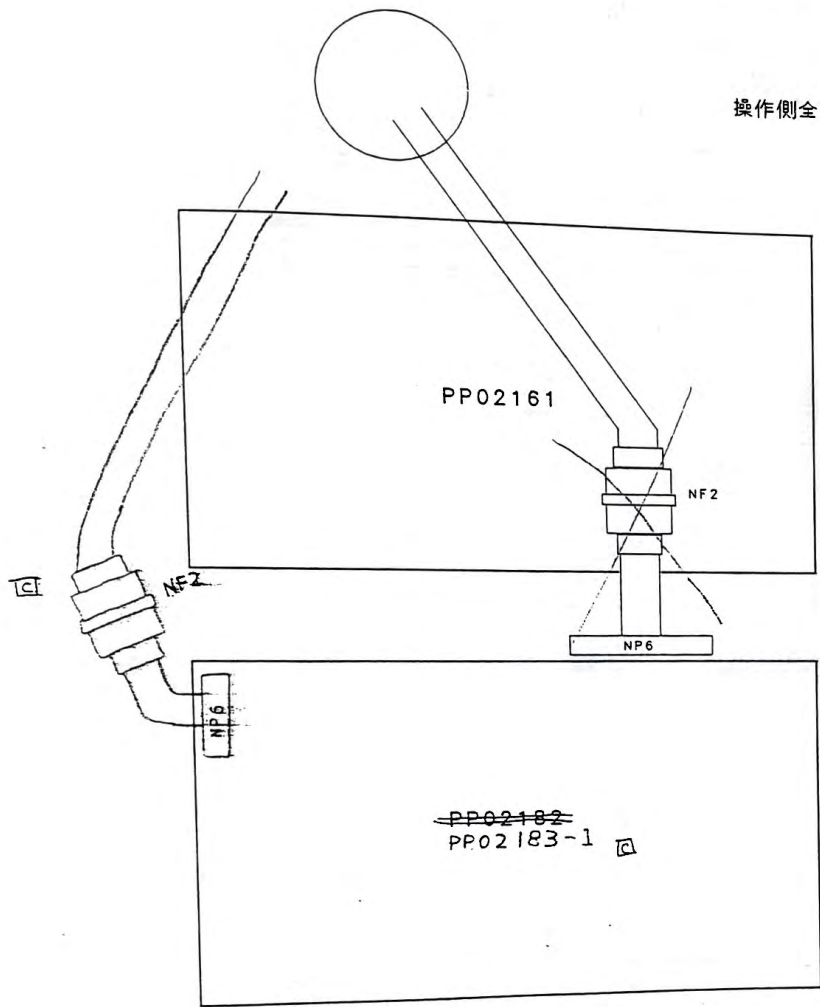
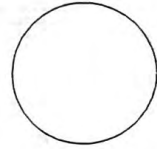
こちら側のケーブルは、方向に合わせてまどめ、インシュロックにて固定する。  
(帯板の上にかからないようにすること)

A 97/12/03 S. AKADO

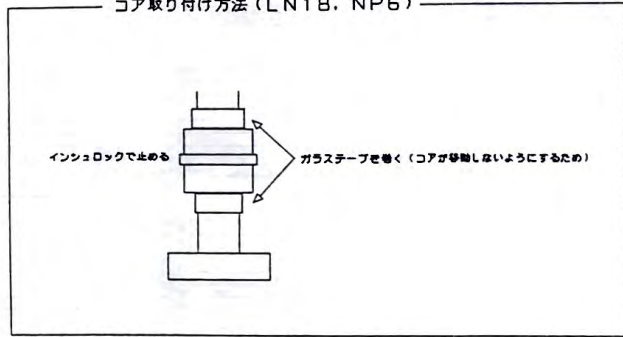
NOTES	CHKD.	APPD.	CHKD.	APPD.	DRWN. NAME	DRAWING
1. 95/11/30 T. KIMIJIMA					T. SATOH	5600-PRD
2. 96/02/16 S. AKADO					DRWN. DATE	MARK
3. 97/04/11 T. KIMIJIMA					94/08/17	LL
4. 97/10/17 S. AKADO						PK02175
						PAGE
						2/3



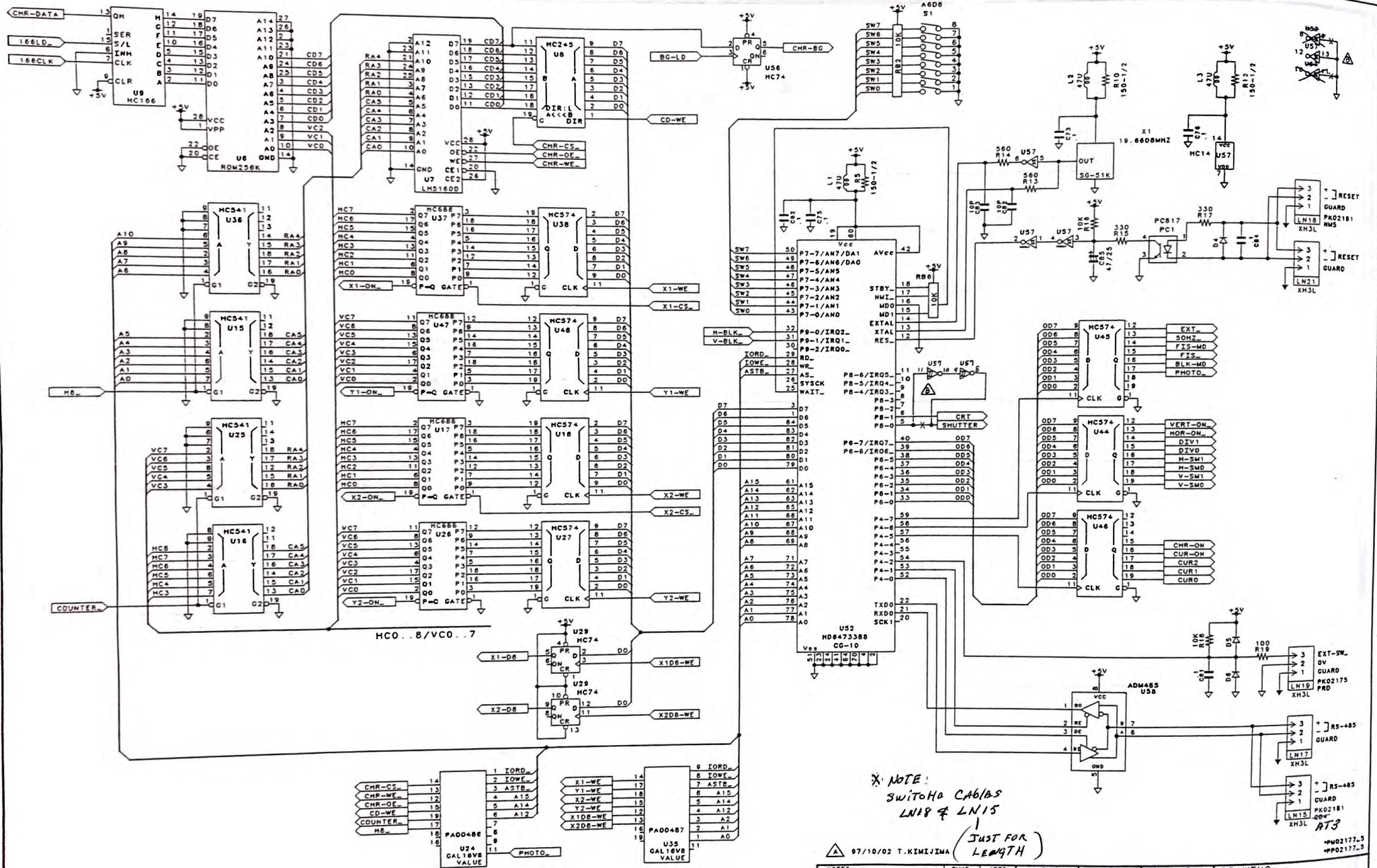
操作側全面



コア取り付け方法 (LN18, NP6)



A 97/12/05 S. AKADO					DRWN. NAME	DRAWING		
NOTES	CHKD.	APPD.	CHKD.	APPD.	T. SATOH	5600-PRD		
1. 95/11/30 T. KIMIJIMA					DRWN. DATE	MARK	DRWN. NO.	PAGE
2. 96/02/16 S. AKADO					94/08/17	LL	PK02175	3/3
3. 97/04/11 T. KIMIJIMA								
4. 97/10/17 S. AKADO								



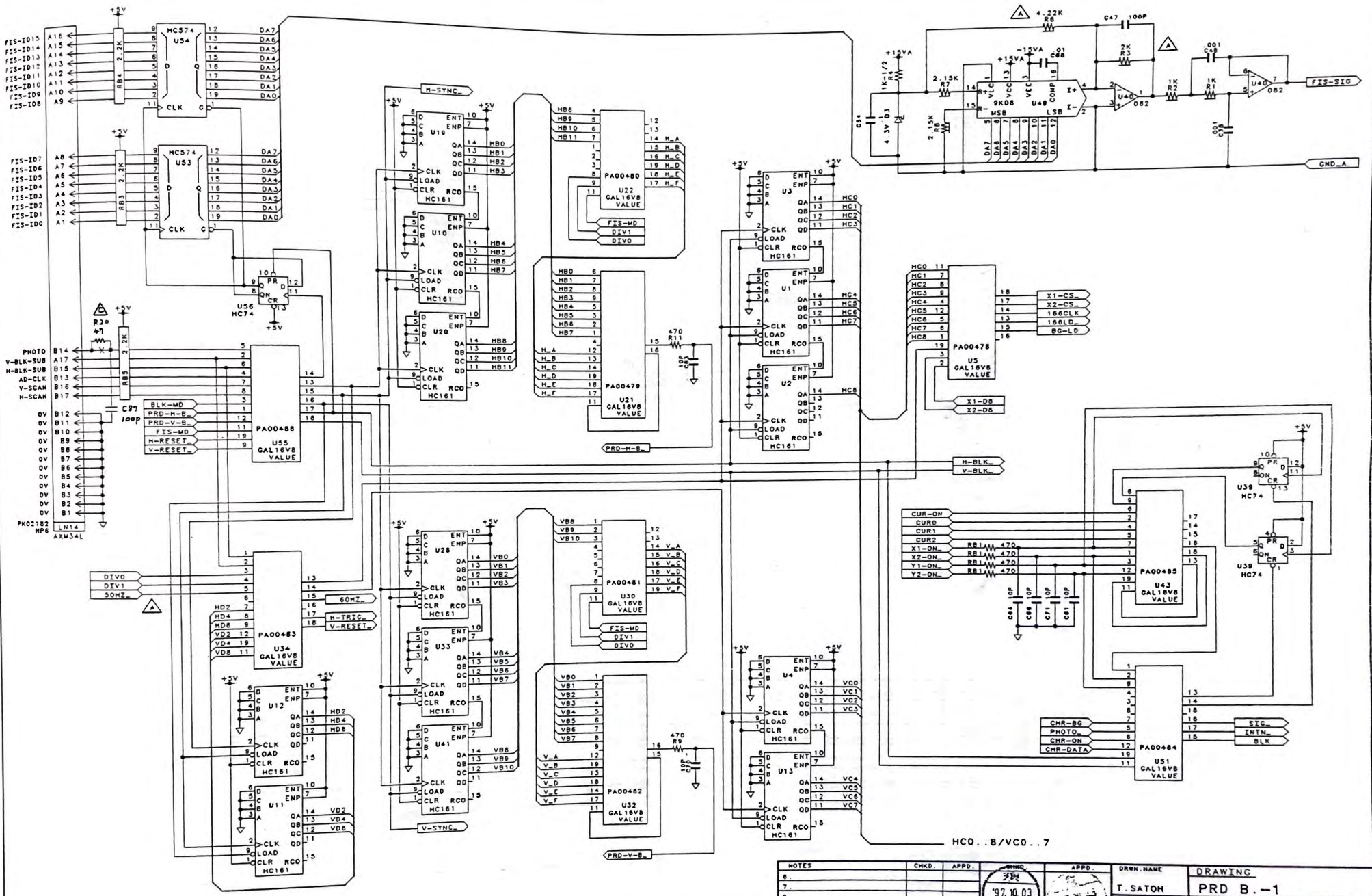
\* NOTE:  
SWITCH CA6/BA  
LN18 & LN15

(JUST FOR LENGTH)

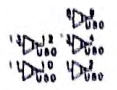
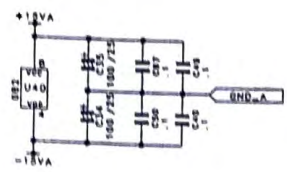
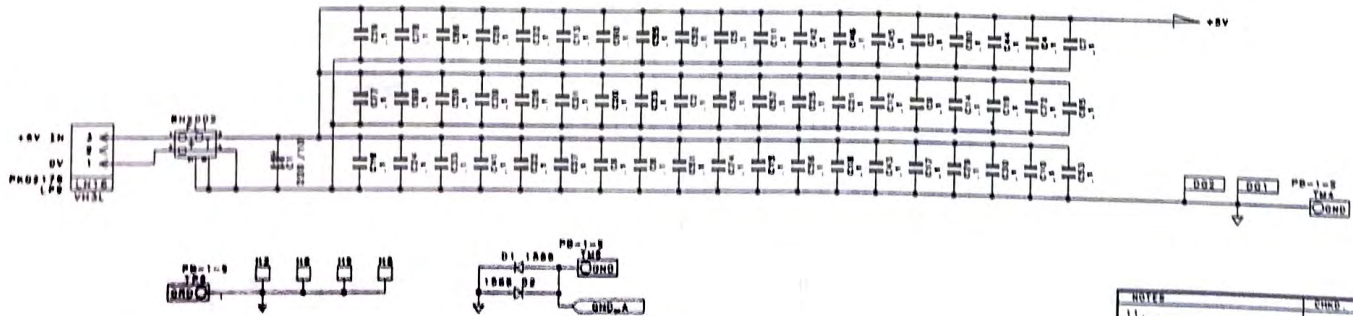
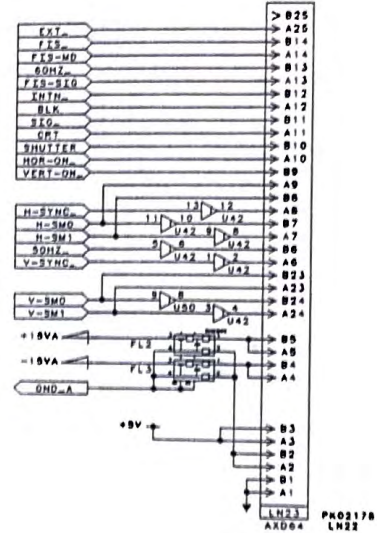
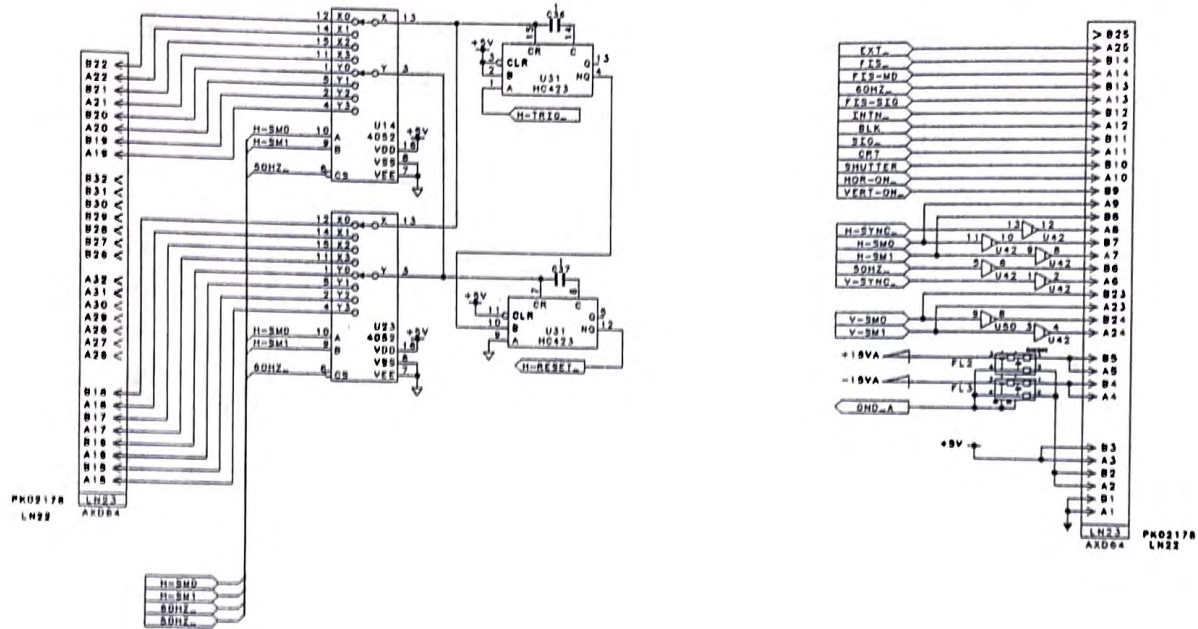
NOTES		CHKD.	APPD.	CHKD.	APPD.	DRWN. NAME	DRAWING
1.	95/11/30 T. KIMIJIWA					T. SATOH	PRD B.-1
2.	96/01/28 S. AKADO					DRWN. DATE	MARK DRWN. NO.
3.	97/01/21 T. KIMIJIWA					94/08/11	LN PK02177
4.	97/07/08 S. AKADO						1/3
5.	97/07/18 S. AKADO						

△ 00/09/07 N.S.  
△ 99/03/04 N.S. & Y.M.S.





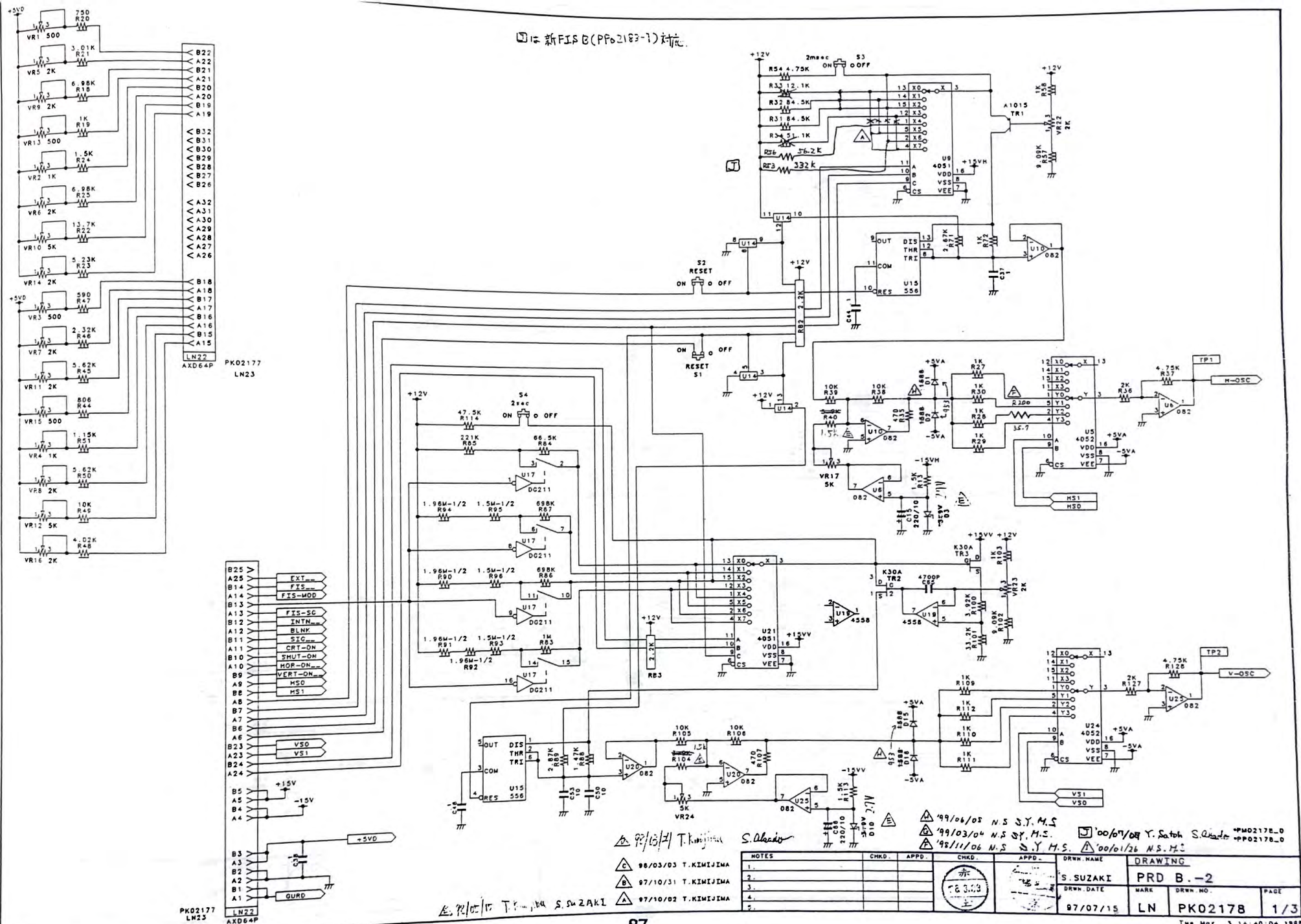
NOTES	CHKD.	APPD.	DATE	APPD.	DRWN. NAME	DRAWING
6.			97.10.03		T. SATOH	PRD B.-1
7.					DRWN. DATE	MARK
8.					94/08/11	DRWN. NO. LN
9.						PK02177
10.						2/3



NO.	REVISION	DATE	BY	CHKD	APPD	DRWN. NAME	DRAWING
1.1						T. SATOH	PRD B.-1
1.2							
1.3							
1.4							
1.5							



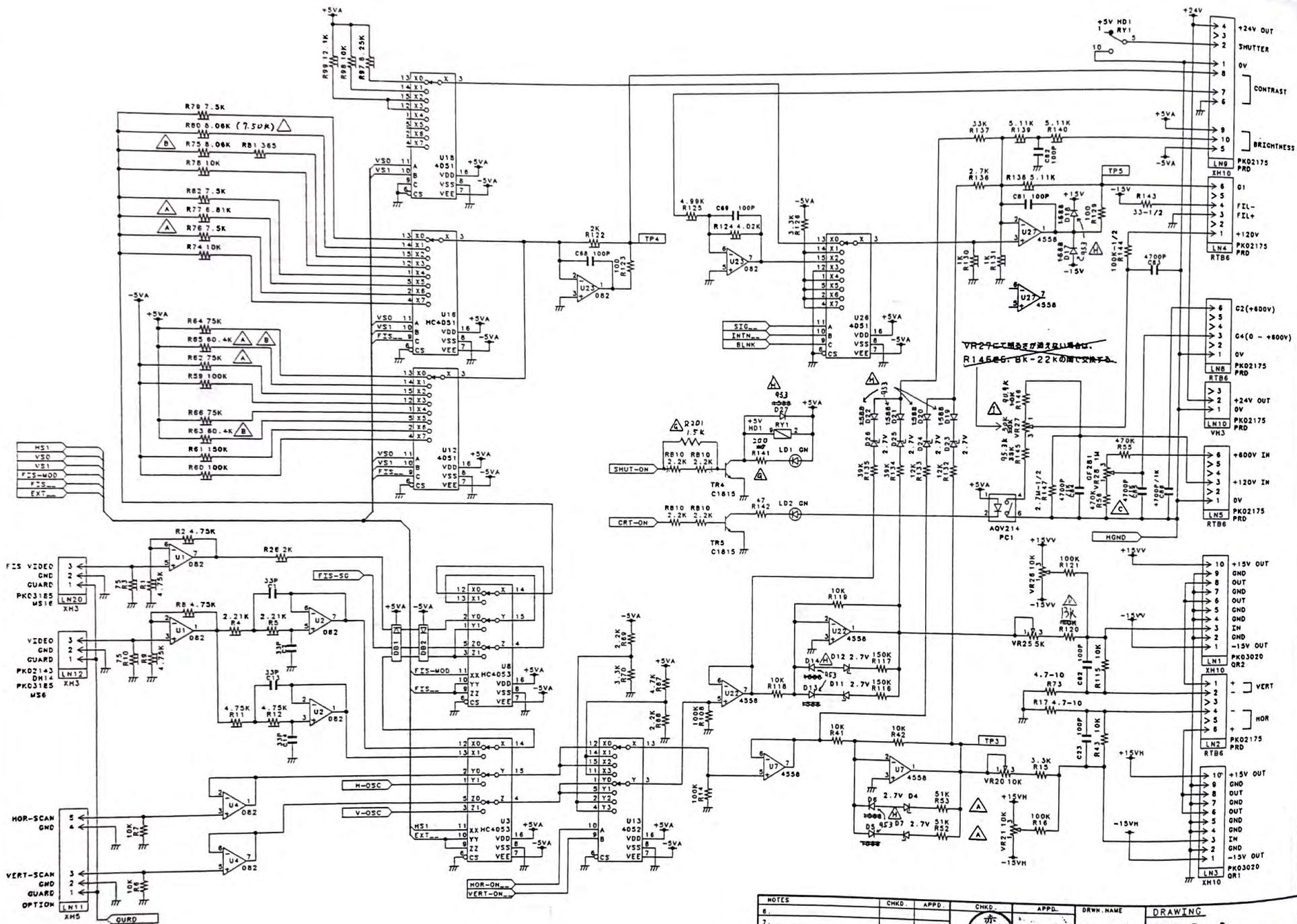
図は新FIS B (PF02183-1) 対応.



99/06/05 N.S. S.Y. M.S.  
 99/03/04 N.S. S.Y. M.S.  
 98/11/06 N.S. S.Y. M.S.  
 00/01/26 N.S. M.S.

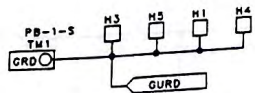
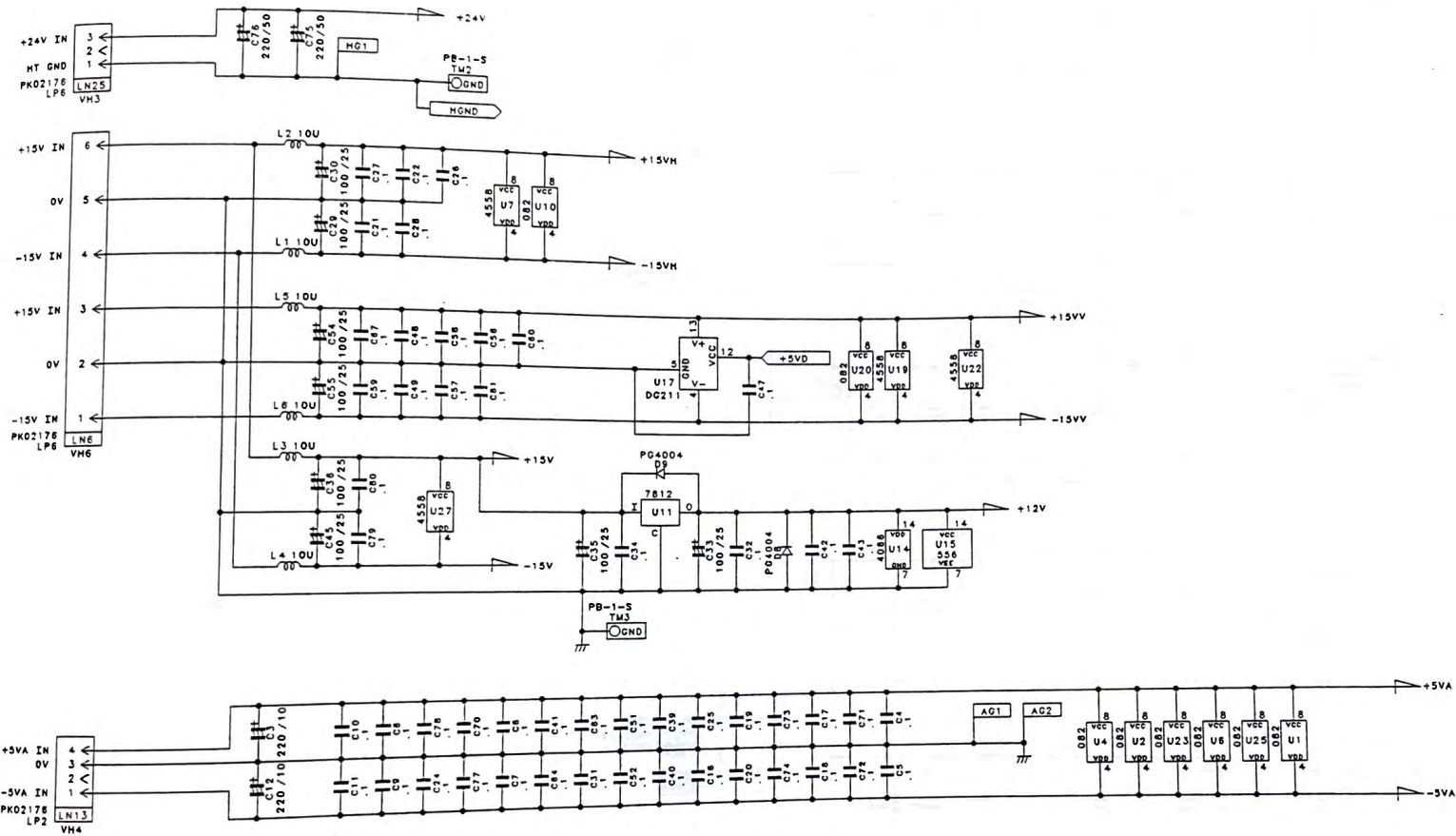
NOTES	CHKD	APPD	CHKD	APPD	DRWN NAME	DRAWING
1.					S. SUZAKI	PRD B.-2
2.						
3.						
4.						
5.						

98/10/15 T. KIMIJIMA S. SUZAKI



NOTES	CHKD	APPD	CHKD	APPD	DRWN. NAME	DRAWING
6.					S. SUZAKI	PRD B.-2
7.					DRWN. DATE	MARK
8.					97/07/15	LN PK02178
9.						DRWN. NO.
10.						PAGE

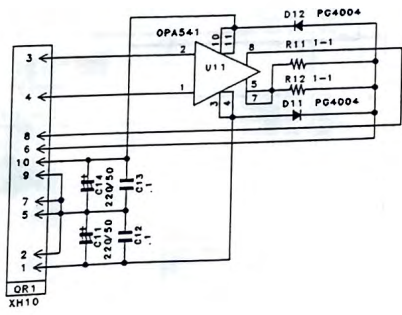




NOTES	CHKD.	APPD.	CHKD.	APPD.	DRWN. NAME	DRAWING
11.					S. SUZAKI	PRD B.-2
12.					DRWN. DATE	MARK DRWN. NO. PAGE
13.					97/07/15	LN PK02178 3/3
14.						
15.						



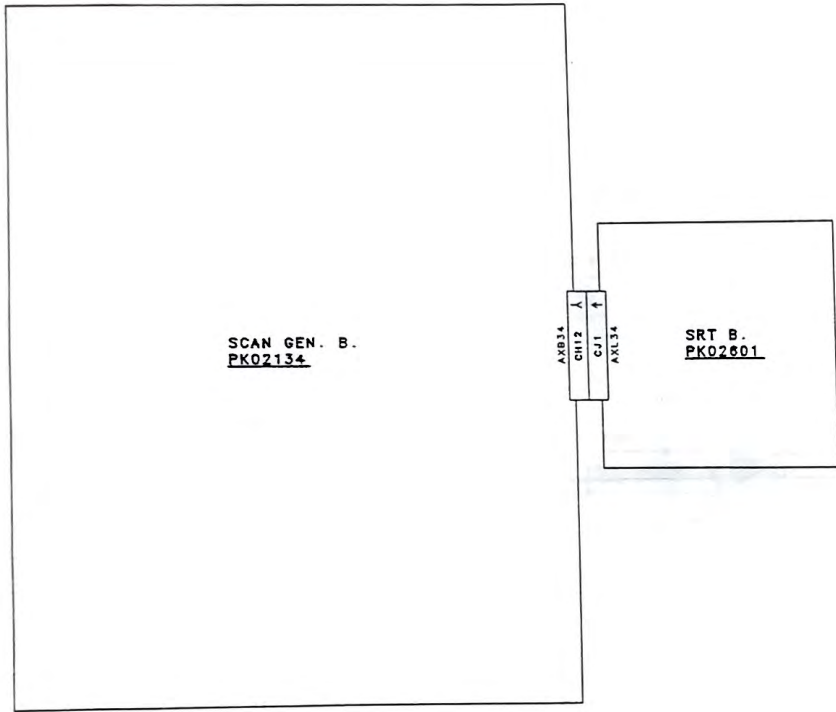




PM03020\_1  
 PP03020\_1

NOTES		CHKD.	APPD.	CHKD.	APPD.	DRWN. NAME	DRAWING		
1.	95/11/30	S. SUZAKI				S. SUZAKI	POWER AMP. B.		
2.						DRWN. DATE	MARK	DRWN. NO.	PAGE
3.						95/09/05	QR	PK03020	1/1
4.									
5.									

Tue Nov 30 18:15:06 1995



SCAN GEN. B.  
PK02134

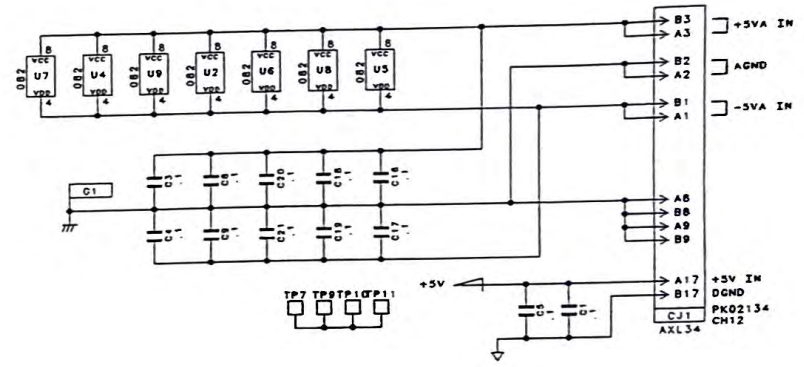
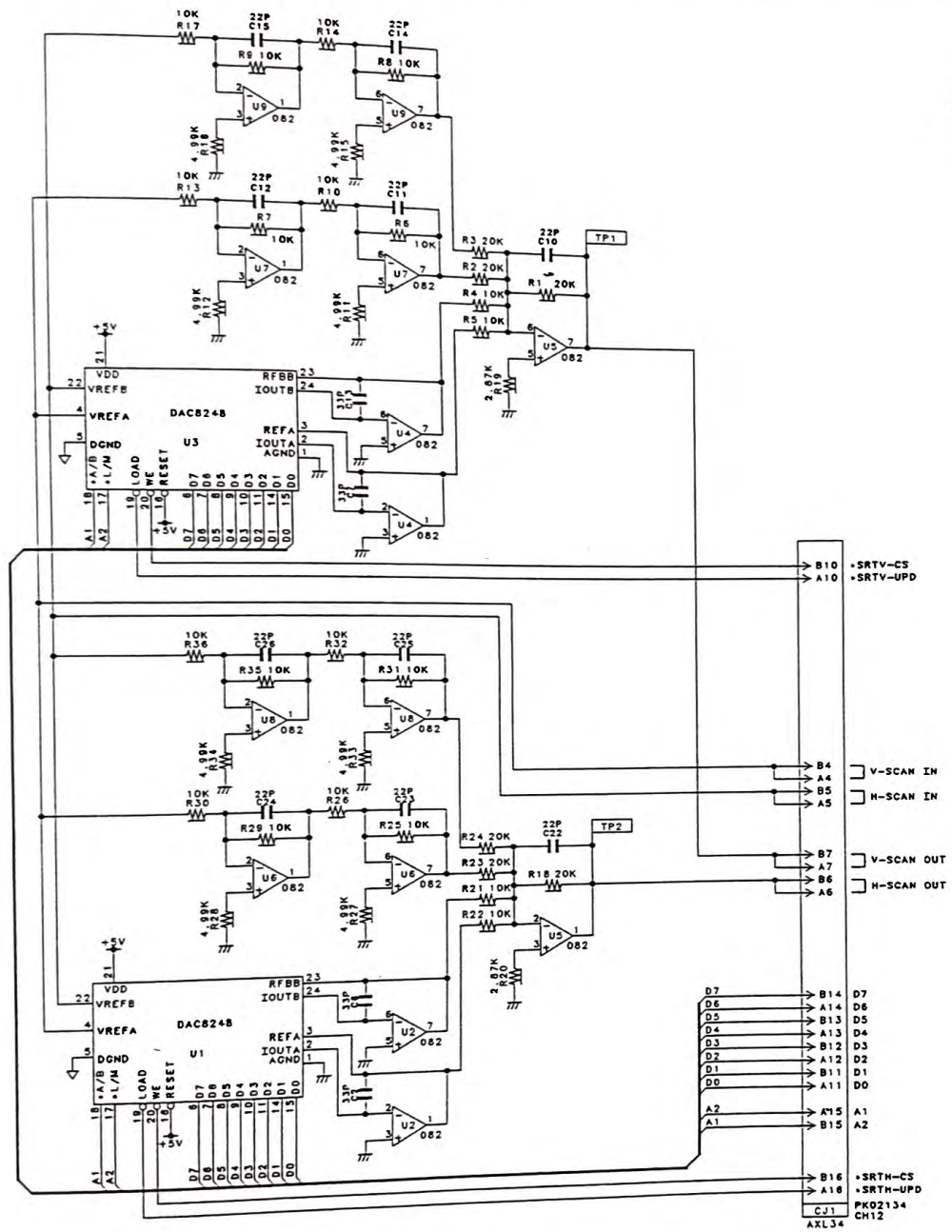
AXE34  
CHI2  
CJI  
AXE34

SRT B.  
PK02601

\*PK02600-0

NOTES	CHKD.	APPD.	APPD.	DRWN. NAME	DRAWING		
				T. KIMIJIMA	5600-SRT		
				DRWN. DATE	MARK	DRWN. NO.	PAGE
				97/11/17	ST	PK02600	1/1





\*P02601\_0  
 \*PP02601\_0

NOTES	CHKD.	APPD.	CHKD.	APPD.	DRWN. NAME	DRAWING
			須		T. KIMIYAMA	SRT B.
			97.11.17		DRWN. DATE	MARK
					97/11/17	CJ
						PK02601
						1/1

Mon Nov 17 20:42:38 1997