

PGD400

The INFICON Pirani Gauge Display PGD400 in combination with the INFICON Pirani Standard Gauge PSG5xx provides a cost effective pressure monitoring solution.

Although it is called Pirani Gauge Display the PGD400 also supports our PCG55x and MPG series vacuum gauges.



BENEFITS

- User selectable measurement unit (Pa, mbar or Torr)
- Compact bench top model design can be easily mounted in a panel or 19" rack
- 0 to 10 V output signal from the gauge is available for use in PLC or with a chart recorder
- One free adjustable set point
- Automatic gauge connection and filament detection
- CE / UL certified

ORDERING INFORMATION

Type	PGD400
PGD400 Pirani Gauge Display	398-800

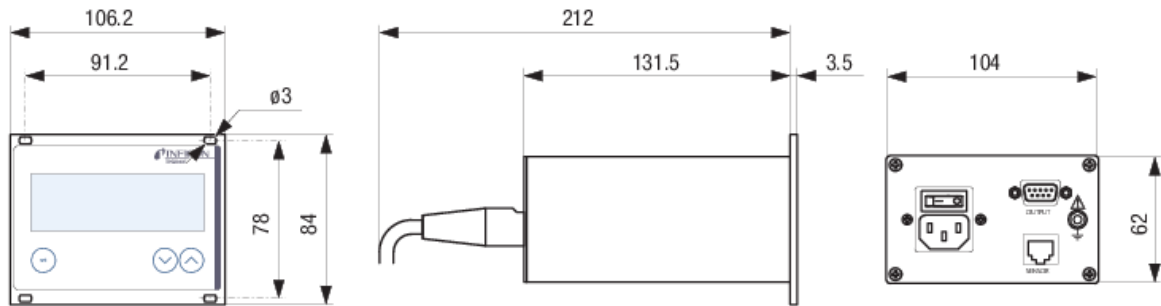
SPECIFICATIONS

Type		PGD400
Measurement channels		1 (PSG5xx only)
Display		LED
Range	Pa	$5 \times 10^{-2} \dots 1 \times 10^5$
Range	mbar	$5 \times 10^{-4} \dots 1000$
Measurement rate	1/s	30
Measurement unit (selectable)		Pa, mbar, Torr
Setpoint		
Setpoint relay		1
Adjustment range		$1 \times 10^{-3} \dots 500$
Hysteresis		$\geq 10\%$ of measurement value
Relay contact		floating changeover contact
Connector		D-Sub, 9-pole, male
Setpoint		
Contact rating	V (ac)	50
Setpoint		
Contact rating	A (ac)	5
Analog output	V	0 ... 10.3, sensor output signal
Power		
Supply	V (ac)	100 ... 240
Power		
Frequency	Hz	50 ... 60
Power		
Consumption	VA	≤ 30
Temperature		
Operation (ambiance)	°C	+5 ... +50
Storage	°C	-20 ... 60
Relative humidity	$\leq 80\%$ up to +31 °C, decreasing to 50% at +40 °C	
Degree of protection	IP20	
Weight	kg	0.85

ACCESSORIES

	PGD400
Centering ring with filter DN 16 KF	211-090
Gauge Connection Cable 1.3m (4.27ft)	398-498
Rack mount front-Adapter 2HE/ 3HE	398-499

DIMENSIONS



www.inficon.com reachus@inficon.com

Due to our continuing program of product improvements, specifications are subject to change without notice. RateWatcher is a trademark of INFICON. All other trademarks are the property of their respective owners.

(2014-08) © 2014 INFICON