

NEW

100 kV MICROFOCUS X-RAY SOURCE L7901-01



FEATURES

- **Focal Spot Size: 5 μm (at 4 W)**
Providing 5 μm focal spot size, for the sealed-off type X-ray source with built-in power supply. It gives a clear clairvoyance image despite of higher magnification ratio.
- **Easy Handling**
Convenient handling (with no high voltage wiring) since the air cooled X-ray source and the high voltage power supply are in one package.
- **Continuous Operation**
It allows continuous maximum output, 100kV and 100 μA , operation.
- **Built-in External Control Function**
It is automatically operable from external control since it has a built-in RS-232C interface.

APPLICATIONS

- **X-ray Non-destructive Test**
 - Printed Circuits
 - Semiconductor Devices
 - Soldered Parts
 - Combined Materials
 - New materials
 - Electronic Components
 - Ceramics
 - Rubbers
 - Plastics
 - Die casting
- **Multilayer Printed Circuit Board X-ray Inspection**
- **Drilling Instrument**
- **Industrial On-line Process Control and Measurement**
- **Industrial X-ray Computer Tomography System**

HAMAMATSU

SPECIFICATIONS

●GENERAL

Parameter	Value/Description	Unit
Target Voltage	20 to 100	kV
Target Current	0 to 250 ^①	μA
Maximum Output Power	10 (isowatts)	W
Focal Spot Size	7 (5 μm at 4 W)	μm
Beam Angle	39	degree
Minimum Distance Focus/Object	9.5	mm
Environmental X-ray Dose Leakage	1	mSv/h Max.
Operation	Continuous	—

NOTE: ① In the range of output (= Tube voltage × Tube current) less than 10 W

■X-RAY TUBE UNIT

Parameter	Description
X-ray Tube	Sealed Type
Cooling Method	Forced Air Cooling
Window Material	Beryllium (150 μmt)
Target Material	Tungsten
Cathode Material	Dispenser Cathode
Window Position	End-window
High Voltage Power Supply	Built-in Type
Operation /Storage Temperature	+10 to +40 °C / 0 to +50 °C
Operation/Storage Humidity	85 % RH Max. ^①
Weight	Approx. 6 kg

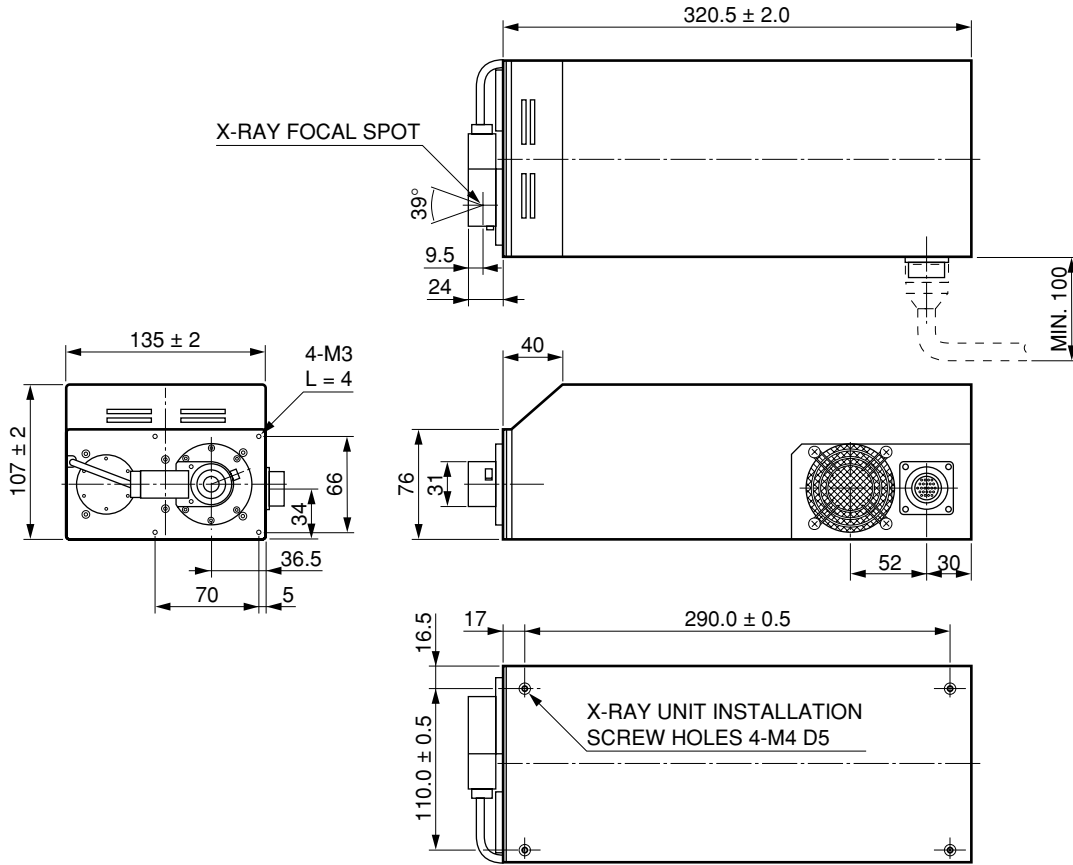
NOTE: ① Without moisture condensation.

■X-RAY CONTROL UNIT

Parameter	Description
Function	Target Voltage/Current Pre-set, Auto Warm-up
Protection	Safety Interlock
External Control	RS-232C
Operation /Storage Temperature	0 to +40 °C
Operation/Storage Humidity	85 % RH Max. ^①
Power Consumption	200 W Max.
Inter Voltage	24 Vdc
Installation Method	Designed for both bench-top and rack mounting
Weight	Approx. 5 kg

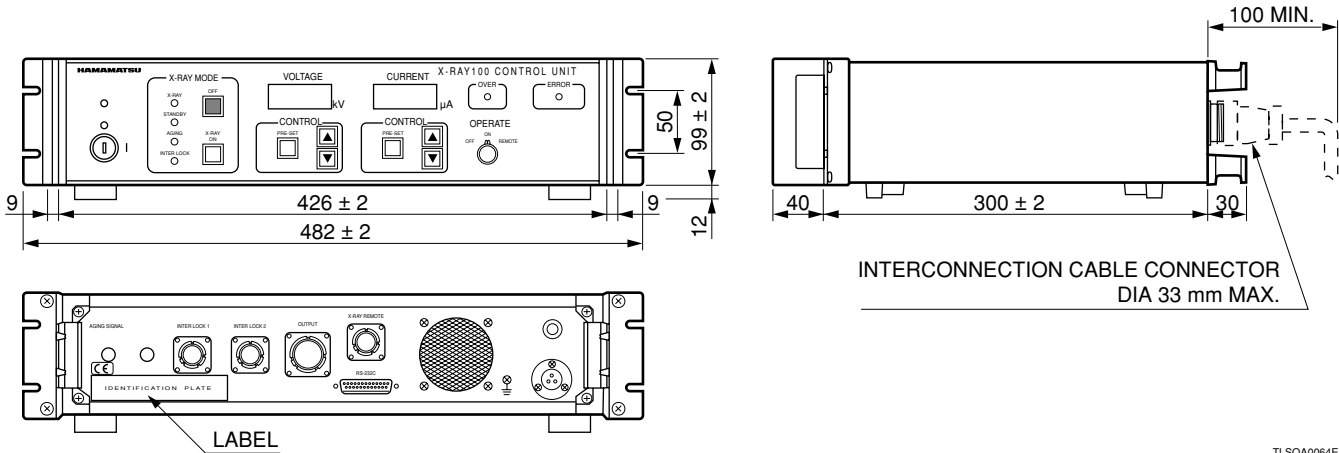
DIMENSIONAL OUTLINE (Unit: mm)

X-RAY TUBE UNIT



TLSOA0063EA

X-RAY CONTROL UNIT



INTERCONNECTION CABLE CONNECTOR
DIA 33 mm MAX.

TLSOA0064EA

RELATED PRODUCTS

X-RAY IMAGE INTENSIFIER CAMERA UNIT C7716, C7716-10

The C7716 series X-ray image intensifier (I. I.) camera unit now offers greatly improved X-ray detection efficiency even at low energy levels. This improvement stems primarily from a built-in X-ray image intensifier having an extremely thin aluminum input window. Its thickness is only 0.3mm or less, virtually at the limit of present technology providing excellent X-ray transmittance and low scattering.

The results are sharp, clear, high-quality images taken at low energy X-ray levels down to several keV which penetrate plastic (PET) materials.



X-RAY IMAGE INTENSIFIER CAMERA UNIT C7876, C7876-10

The C7876 is an X-ray image intensifier camera unit ideal for non-destructive inspection of light-element materials and radiation imaging at low-energy X-ray levels.

The C7876 remarkably improves X-ray transmittance at low-energy X-ray levels by using a beryllium window instead of the aluminum window currently used for most X-ray image intensifiers.

The result is a sharp and clear, high-contrast image taken in real time even at low energy X-ray levels down to a few keV.



⚠ PRE-CAUTION TO USE

1. X-ray emitted from this device is harmful for human body. And it should be necessary for the operator to protect himself/herself from it.
2. During an operation, the X-ray tube unit should be installed in the X-ray shielded cabinet in order to avoid any X-ray leakage. Also the safety interlock system in X-ray control unit should be always used in order to avoid any misoperation.

WARRANTY PERIOD

This device is guaranteed for one and a half years from data of purchase or 5000 hours of operation, whichever comes first. The warranty extends only to replacement of the products. The warranty does not cover damage due to misuse or natural calamity.

* **CE** This product(s) conforms to the EMC directive (89/336/EEC) of the European Union.

* To meet FDA standards, the Interlock-1 circuit incorporates a relay that shuts off the X-ray generation power supply circuit if the circuit is open.

Subject to local technical requirements and regulations, availability of products included in this promotional material may vary. Please consult with our sales office. Information furnished by HAMAMATSU is believed to be reliable. However, no responsibility is assumed for possible inaccuracies or omissions. Specifications are subject to change without notice. No patent rights are granted to any of the circuits described herein. ©2000 Hamamatsu Photonics K.K

HAMAMATSU

HOME PAGE URL <http://www.hamamatsu.com>

HAMAMATSU PHOTONICS K.K., Electron Tube Center

314-5, Shimokanzo, Toyooka-village, Iwata-gun, Shizuoka-ken, 438-0193, Japan, Telephone: (81)539/62-5248, Fax: (81)539/62-2205

U.S.A.: Hamamatsu Corporation: 360 Foothill Road, P. O. Box 6910, Bridgewater, N.J. 08807-0910, U.S.A., Telephone: (1)908-231-0960, Fax: (1)908-231-1218 E-mail: usa@hamamatsu.com

Germany: Hamamatsu Photonics Deutschland GmbH: Arzbergerstr. 10, D-82211 Herrsching am Ammersee, Germany, Telephone: (49)8152-375-0, Fax: (49)8152-2658 E-mail: info@hamamatsu.de

France: Hamamatsu Photonics France S.A.R.L.: 8, Rue du Saule Trapu, Parc du Moulin de Massy, 91882 Massy Cedex, France, Telephone: (33)1 69 53 71 00, Fax: (33)1 69 53 71 10 E-mail: infos@hamamatsu.fr

United Kingdom: Hamamatsu Photonics UK Limited: 2 Howard Court, 10 Tewin Road Welwyn Garden City Hertfordshire AL7 1BW, United Kingdom, Telephone: 44-(0)1707-294888, Fax: 44(0)1707-325777 E-mail: info@hamamatsu.co.uk

North Europe: Hamamatsu Photonics Norden AB: Smidesvägen 12, SE-171-41 SOLNA, Sweden, Telephone: (46)8-509-031-00, Fax: (46)8-509-031-01 E-mail: info@hamamatsu.se

Italy: Hamamatsu Photonics Italia: S.R.L.: Strada della Moia, 1/E, 20020 Arese, (Milano), Italy, Telephone: (39)02-935 81 733, Fax: (39)02-935 81 741 E-mail: info@hamamatsu.it

TLSO1038E03
DEC. 2001 IP
Printed in Japan (1000)

This datasheet has been download from:

www.datasheetcatalog.com

Datasheets for electronics components.