

X-RAY SOURCE

230 kV OPEN TYPE MICROFOCUS X-RAY SOURCE L10801

FEATURES

- High power: 230 kV 1 mA
- No high voltage cable connection required
- Easy to replace cathode
- Easy operation



SPECIFICATIONS

Parameter		Description / Value
Maximum tube voltage ^①		238 kV
X-ray tube voltage setting range		20 kV to 230 kV
X-ray tube current setting range		0 μ A to 1000 μ A
Cathode material		Tungsten
Minimum resolution		4 μ m ^②
Maximum target power		Approx. 200 W
Target type		Reflection Type
X-ray beam angle		Approx. 40 degrees
Target material		Tungsten
X-ray output window material / Thickness		Beryllium / 0.5 mm
Focus to object distance (FOD) (Max.)		5 mm
Protection		External short-circuit method (Normally closed)
Interlock 1 / Interlock 2		24 V dc / 12 V dc
Input voltage (AC)	X-ray control unit	100 V to 240 V (50 Hz / 60 Hz) ^③
	Power supply for turbo pump controller	100 V to 240 V (50 Hz / 60 Hz) ^③
	Power supply for vacuum pump	100 V to 240 V (50 Hz / 60 Hz) ^③
Power consumption (Max.)	X-ray control unit	700 VA
	Turbo pump set	360 VA
Rated output		Continuous operation
Weight	X-ray tube unit / X-ray control unit	Approx. 98 kg / Approx. 11 kg
	Power supply for turbo pump controller	Approx. 1 kg
	Vacuum pump (diaphragm pump)	Approx. 4 kg
Operating ambient temperature	X-ray tube unit / X-ray control unit	+15 °C to +40 °C
Storage temperature	X-ray tube unit / X-ray control unit	+5 °C to +50 °C
Operating and storage humidity	X-ray tube unit / X-ray control unit	Below 85 % (No condensation)

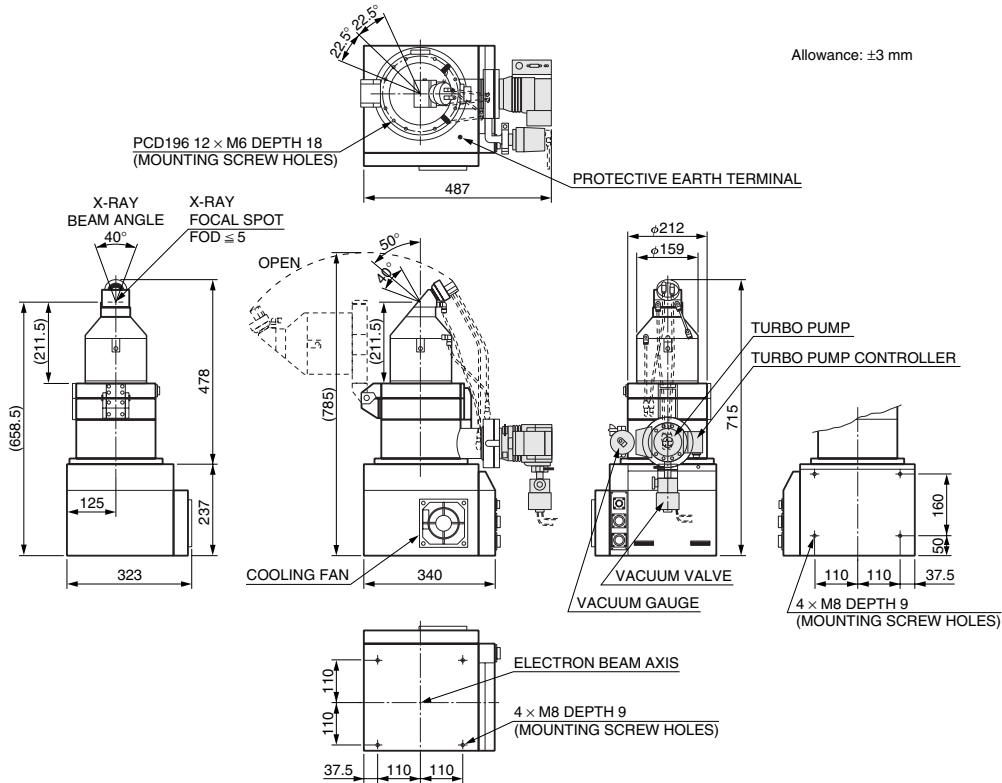
NOTE: ① Maximum tube voltage during the warm-up period.

② X-ray chart use

③ Auto switching

DIMENSIONAL OUTLINES (Unit: mm)

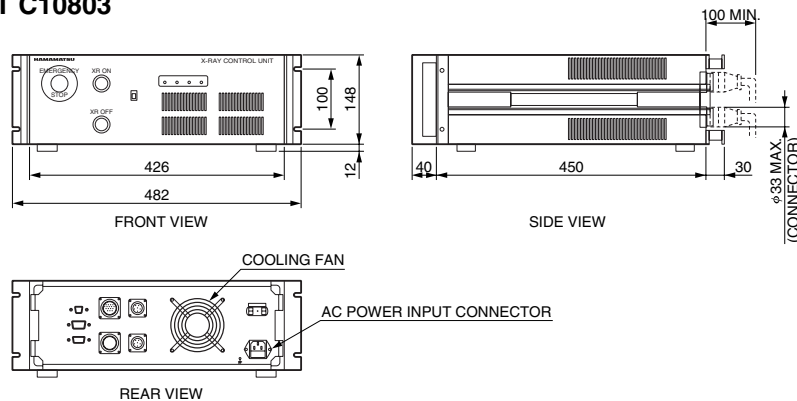
● X-RAY TUBE UNIT L10802



The shape that installed (), turbo pump, turbo pump controller, vacuum gauge and vacuum valve.

TXPRA0008EC

● X-RAY CONTROL UNIT C10803



TXPRA0009EA

System configuration of L10801 X-ray tube unit (L10802) + X-ray control unit (C10803) + turbo pumps + accessories

⚠ PRECAUTIONS TO USE

- This microfocus X-ray source generates X-rays harmful to the human body. Use sufficient caution when handling the equipment to avoid direct or inadvertent exposure to X-rays.
- Install the X-ray source or the X-ray tube unit in an X-ray shielded cabinet or room equipped with safety interlock functions to prevent accidental exposure to X-rays.

OPERATIONAL CAUTION

- This microfocus X-ray source generates X-rays and must therefore be used only under the supervision of qualified personnel.
- This microfocus X-ray source shall be used in compliance with health and safety regulations enforced in order to prevent health hazards problems due to ionizing radiation.

Subject to local technical requirements and regulations, availability of products included in this promotional material may vary. Please consult with our sales office. Information furnished by HAMAMATSU is believed to be reliable. However, no responsibility is assumed for possible inaccuracies or omissions. Specifications are subject to change without notice. No patent rights are granted to any of the circuits described herein. ©2015 Hamamatsu Photonics K.K.

HAMAMATSU PHOTONICS K.K. www.hamamatsu.com

HAMAMATSU PHOTONICS K.K., Electron Tube Division

314-5, Shimokanzo, Iwata City, Shizuoka Pref., 438-0193, Japan, Telephone: (81)539/62-5248, Fax: (81)539/62-2205

U.S.A.: Hamamatsu Corporation: 360 Foothill Road, Bridgewater, N.J. 08807-0910, U.S.A., Telephone: (1)908-231-0960, Fax: (1)908-231-1218 E-mail: usa@hamamatsu.com

Germany: Hamamatsu Photonics Deutschland GmbH: Arzbergerstr. 10, D-82211 Herrsching am Ammersee, Germany, Telephone: (49)8152-375-0, Fax: (49)8152-2658 E-mail: info@hamamatsu.de

France: Hamamatsu Photonics France S.A.R.L.: 19, Rue du Saule Trapu, Parc du Moulin de Massy, 91882 Massy Cedex, France, Telephone: (33)1 69 53 71 00, Fax: (33)1 69 53 71 10 E-mail: infos@hamamatsu.fr

United Kingdom: Hamamatsu Photonics UK Limited: 2 Howard Court, 10 Tewin Road, Welwyn Garden City, Hertfordshire AL7 1BW, United Kingdom, Telephone: (44)1707-294888, Fax: (44)1707-325777 E-mail: info@hamamatsu.co.uk

North Europe: Hamamatsu Photonics Norden AB: Torshamnsgatan 35 SE-164 40 Kista, Sweden, Telephone: (46)8-509-031-00, Fax: (46)8-509-031-01 E-mail: info@hamamatsu.se

Italy: Hamamatsu Photonics Italia S.r.l.: Strada della Moia, 1 int. 6, 20020 Arese (Milano), Italy, Telephone: (39)02-93581733, Fax: (39)02-93581741 E-mail: info@hamamatsu.it

China: Hamamatsu Photonics (China) Co., Ltd.: B1201 Jiaming Center, No.27 Dongsanhuan Bellu, Chaoyang District, Beijing 100020, China, Telephone: (86)10-6586-6006, Fax: (86)10-6586-2866 E-mail: hpc@hamamatsu.com.cn

TXPR1005E03
NOV. 2015 IP