

# Model 2

## Current Transformer Window Diameter 1.00", 1.13"

### Application

Generally for ammeter use only

### Frequency

50-400 Hz

### Insulation Level

600 Volts, 10 kV BIL full wave

### Rating Factor

1.0 @ 30°C amb.

Flexible leads are UL 1015, 105°C.

CSA approved.

#16 AWG, 24" long.

Non-standard length to be specified.

Terminals are brass studs No. 8-32 with one flat washer, lockwasher and regular nut.

SHT and SFT case styles also available as SHL and SFL with leads.

Mounting bracket kit 0221B00839 when required for Model 2SHT.

Approximate weight 0.5 lbs.



Model 2DRL Shown



### Data Table

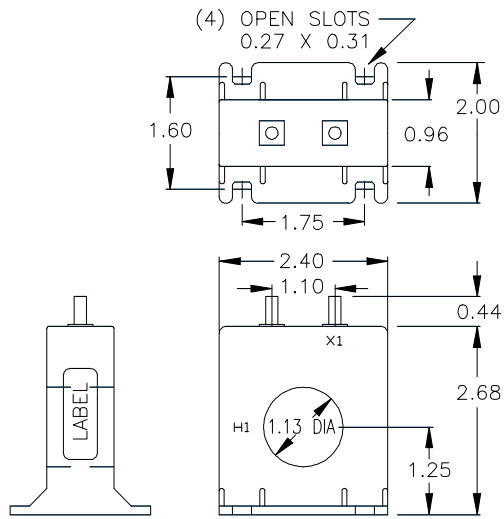
Catalog Number	Current Ratio	Models 2SFT, 2SHT, 2RL		Model 2DRL	
		Accuracy At 60 Hz	Burden VA At 60 Hz	Accuracy At 60 Hz	Burden VA At 60 Hz
2*-500	50:5	± 3%	1.5	± 2%	1.5
2*-600	60:5	± 3%	2.0	± 2%	2.0
2*-750	75:5	± 2%	2.0	± 2%	3.0
2*-800	80:5	± 2%	2.0	± 2%	4.0
2*-101	100:5	± 1%	2.0	± 1%	5.0
2*-121	120:5	± 1%	2.5	± 1%	5.0
2*-1250	125:5	± 1%	2.5	± 1%	5.0
2*-151	150:5	± 1%	4.0	± 1%	8.0
2*-201	200:5	± 1%	4.0	± 1%	10.0
2*-251	250:5	± 1%	6.0	± 1%	12.5
2*-301	300:5	± 1%	8.0	± 1%	15.0

\*Note: When ordering, prefix Cat No. with model designation required i.e. 2SFT-301, 2SHT-301, 2RL-301, 2DRL-301, etc.

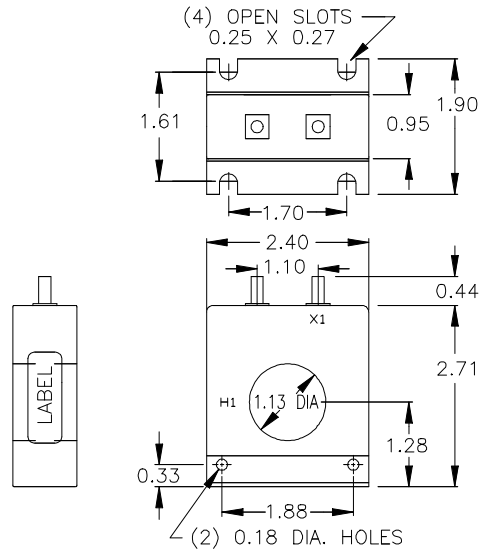


Models 2SF Models 2SFT, 2SHT, 2DRL

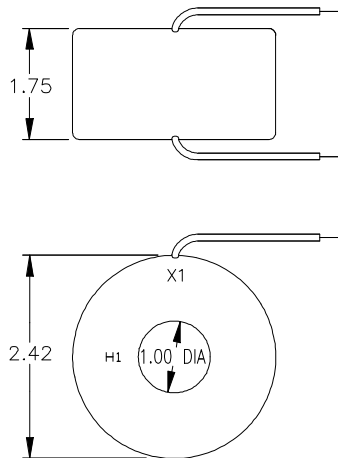
Model 2SFT



Model 2SHT



Model 2DRL



[GEGridSolutions.com](http://GEGridSolutions.com)

Grid-AIS-L4-ITL\_Model\_2-1529-2017\_06-EN. © Copyright 2017. General Electric Company and Instrument Transformers LLC reserve the right to change specifications of described products at any time without notice and without obligation to notify any person of such changes.

**Worldwide Contact Center**

Web: [www.GEGridSolutions.com/contact](http://www.GEGridSolutions.com/contact)

Phone: +44 (0) 1785 250 070

USA and Canada: +1 (0) 800 547 8629

Europe, Middle East and Africa: +34 (0) 94 485 88 00

