

The ESS SABRE® ES9017 is an 8 Channel 32-Bit digital-to-analog converter (DAC) that offers unsurpassed performance/cost solution for receivers, personal audio devices, professional audio applications such as recording systems, mixer consoles and digital audio workstations (DAW) audio processors applications.

The ES9017 has 8 integrated DACs which use ESS' new patented Hyperstream® IV DAC Architecture. The same technology that is used in the ESS SABRE PRO lineup. It delivers incredible audio sound quality and specifications, including +120dB DNR and -110dB THD+N per channel.

The ES9017 SABRE® DAC improves on previous designs to include:

- TDM audio format & SPI serial communication support for more connectivity options.
- Lower power consumption than previous generations, including the Hyperstream® IV DAC modulator.
- Hardware mode support for ease-of-use.

TDM, DSD, DoP, and PCM (I<sup>2</sup>S, LJ) master/slave audio interfaces are supported both in hardware and software modes.

The ES9017 has 7 built-in pre-programmed digital filters which allows the most discerning user to tune the SABRE® sound to their own personal sound signature. In hardware mode, 2 of these filters are available through a GPIO setting.

FEATURE	DESCRIPTION
Patented 32-bit HyperStream® IV Architecture DAC Technology	32-bit audio DAC with high dynamic range & ultra-low distortion
+120db DNR per Channel -110dB THD+N per Channel	Excellent dynamic range and low distortion
High Sample Rates	Up to PCM 768kHz & native DSD512
7 Built-In Filter Characteristics	Predefined digital filters optimized for latency or sound color
Multiple Input Formats and High Sample Rates	TDM, I <sup>2</sup> S, LJ, RJ, DSD, DoP. Up to PCM 768kHz and native DSD512.
I <sup>2</sup> C/SPI Software Interface Control or Hardware Interface	Configured by microcontroller or other I <sup>2</sup> C/SPI source, or pins through Hardware Mode
Lower Power Consumption than Previous Gen	Simplifies power supply design
Standardized Packaging	7mm x 7mm, 48 pin QFP/QFN for reduced PCB footprint

## APPLICATIONS

- Digital Audio Workstations (DAW) Audio Playback
  - A/V Receivers (AVR)
  - Personal Audio Devices & Media Streamers
  - Sound Bars
- Mixers
  - High End Audio Equipment
  - DAP (Digital Audio Players)
  - DJ Equipment



## Table of Contents

APPLICATIONS.....	1
Table of Contents .....	2
List of Figures .....	5
List of Tables .....	6
Functional Block Diagram.....	7
ES9017 Package.....	8
48 QFN/QFP Pinout .....	8
48 QFN/QFP Pin List.....	9
Feature List.....	11
Configuration Modes.....	11
Design Information .....	11
Software Mode .....	12
I <sup>2</sup> C Slave Interface Commands .....	12
SPI Slave Interface Commands .....	13
Hardware Mode.....	14
Recommended Hardware Mode Setup Sequence.....	14
Hardware Mode Pin Configurations .....	15
GPIO Functions in Hardware Mode .....	16
Mute Control .....	16
Digital Features.....	17
Digital Signal Path .....	17
GPIO Configuration .....	17
GPIO Default states: .....	17
Analog Shutdown.....	17
Output 1'b0 .....	17
Output 1'b1 .....	18
CLK_IDAC Output.....	18
Mute All Channels.....	18
System Mode Control .....	18
CLKEN_1FS .....	18
TDM_VALID.....	18
DOP_VALID.....	18

**ES9017 Product Datasheet**

BCK_WS_FAIL .....	18
Volume Min .....	19
Automute Status .....	19
Soft Ramp Finished .....	19
Audio Input Formats .....	20
PCM (I <sup>2</sup> S/LJ) .....	21
TDM (Time-Division Multiplexing) .....	22
DSD .....	23
Pre-Programmed Digital Filters .....	24
PCM Filter Latency .....	24
PCM Filter Properties .....	25
PCM Filter Frequency Response .....	27
PCM Filter Impulse Response .....	31
64FS Mode .....	35
Analog Features .....	37
Combining Channels .....	37
Calibration Resistor .....	38
Absolute Maximum Ratings .....	39
I/O Electrical Characteristics .....	39
Switching Characteristics .....	40
Timing Characteristics .....	41
Bit-Clock (BCLK) and Word-Select (WS) Timing .....	41
I <sup>2</sup> C Slave Interface Timing .....	42
SPI Slave Interface Timing .....	43
Recommended Operating Conditions .....	44
Power Consumption .....	45
Performance .....	47
Register Overview .....	48
Read/Write Register Addresses .....	48
Read-Only Register Addresses .....	48
Multi-Byte Registers .....	48
Register Map .....	49
Register Listing .....	51
System Registers .....	51



## ES9017 Product Datasheet

GPIO Registers .....	54
DAC Registers.....	62
Readback Registers .....	80
ES9017 Reference Schematics .....	82
Hardware (HW) Mode .....	82
Software (SW) Mode .....	83
Recommended Output Stage .....	84
Recommended Power Supply .....	85
Internal Pad Circuitry .....	86
48 QFP Package Dimensions.....	89
48 QFN Package Dimensions .....	90
48 QFP Top View Marking.....	91
48 QFN Top View Marking .....	92
Reflow Process Considerations.....	93
Temperature Controlled .....	93
Manual .....	94
RPC-1 Classification Reflow Profile .....	94
RPC-2-Pb-Free Process - Classification Temperatures (Tc).....	95
Ordering Information.....	96
Revision History.....	97



## List of Figures

Figure 1 - Functional Block Diagram.....	7
Figure 2 - 48 QFN/QFP Pinout .....	8
Figure 3 - Hardware Mode Pin Configurations.....	11
Figure 4 - I <sup>2</sup> C Write Example .....	12
Figure 5 - I <sup>2</sup> C Read Example .....	12
Figure 6 - SPI Single Byte Read .....	13
Figure 7 - SPI Single Byte Write .....	13
Figure 8 - Hardware Mode Startup Sequence .....	14
Figure 9 - Digital Signal Path .....	17
Figure 10 - LJ (top) & I <sup>2</sup> S (bottom) for 16, 24, and 32-bit Word Widths.....	21
Figure 11 - TDM4 Mode.....	22
Figure 12 - TDM8 Mode.....	22
Figure 13 - TDM16 Mode.....	22
Figure 14 - DSD Format, 1-bit stream.....	23
Figure 15 - Minimum Phase 64FS Frequency Response .....	36
Figure 16 – Minimum Phase 64FS Impulse Response.....	36
Figure 17 - Example of Channel Combination for 4 Outputs.....	37
Figure 18 - GPIO3 Digital I/O with Calibration Resistor .....	38
Figure 19 - Bit-Clock and Word-Select Timing.....	41
Figure 20 - I <sup>2</sup> C Slave Control Interface Timing.....	42
Figure 21 - SPI Slave Interface Timing .....	43
Figure 22 - ES9017Q Hardware Mode Reference Schematic .....	82
Figure 23 - ES9017Q Software Mode Reference Schematic.....	83
Figure 24 - ES9017 Output Stage Schematic .....	84
Figure 25 - ES9017 Power Supply Schematic.....	85
Figure 26 - ES9017S 48 QFP Package Dimensions .....	89
Figure 27 - ES9017Q 48 QFN Package Dimensions.....	90
Figure 28 - ES9017S Marking.....	91
Figure 29 - ES9017Q Marking .....	92
Figure 30 - IR/Convection Reflow Profile (IPC/JEDEC J-STD-020D.1) .....	93



## List of Tables

Table 1 - 48 QFN Pin List .....	10
Table 2 - Mode Pin Configuration Options .....	11
Table 3 - I <sup>2</sup> C Slave Addresses .....	12
Table 4 - Hardware Mode Pin Configurations Table .....	15
Table 5 - GPIO Functions in Hardware Mode .....	16
Table 6 - GPIO Configuration Functions .....	17
Table 7 - PCM Pin Connections .....	21
Table 8 - TDM Pin Connections .....	22
Table 9 - DSD Pin Connections .....	23
Table 10 - Pre-Programmed Digital Filter Descriptions .....	24
Table 11 - PCM Filter Latency .....	24
Table 12 - PCM Filter Properties .....	26
Table 13 - PCM Filter Frequency Response .....	30
Table 14 - PCM Filter Impulse Response .....	34
Table 15 - Minimum Phase 64FS Latency .....	35
Table 16 - Minimum Phase 64FS Properties .....	35
Table 17 - Absolute Maximum Ratings .....	39
Table 18 - I/O Electrical Characteristics .....	39
Table 19 - Switching Characteristics .....	40
Table 20 - Bit-Clock and Word-Select Timing Definitions .....	41
Table 21 - I <sup>2</sup> C Slave/Synchronous Slave Interface Timing Definitions .....	42
Table 22 - SPI Slave Interface Timing Definitions .....	43
Table 23 - Recommended Operating Conditions .....	44
Table 24 - Power Consumption with Test Condition 1 .....	45
Table 25 - Power Consumption with Test Condition 2 .....	46
Table 26 - Performance Data .....	47
Table 27 - Register Map .....	50
Table 28 - Internal Pad Circuitry .....	88
Table 29 - RPC-1 Classification Reflow Profile .....	94
Table 30 - RPC-2 Pb Free Classification Temperatures .....	95
Table 31 - Ordering Information .....	96



# Functional Block Diagram

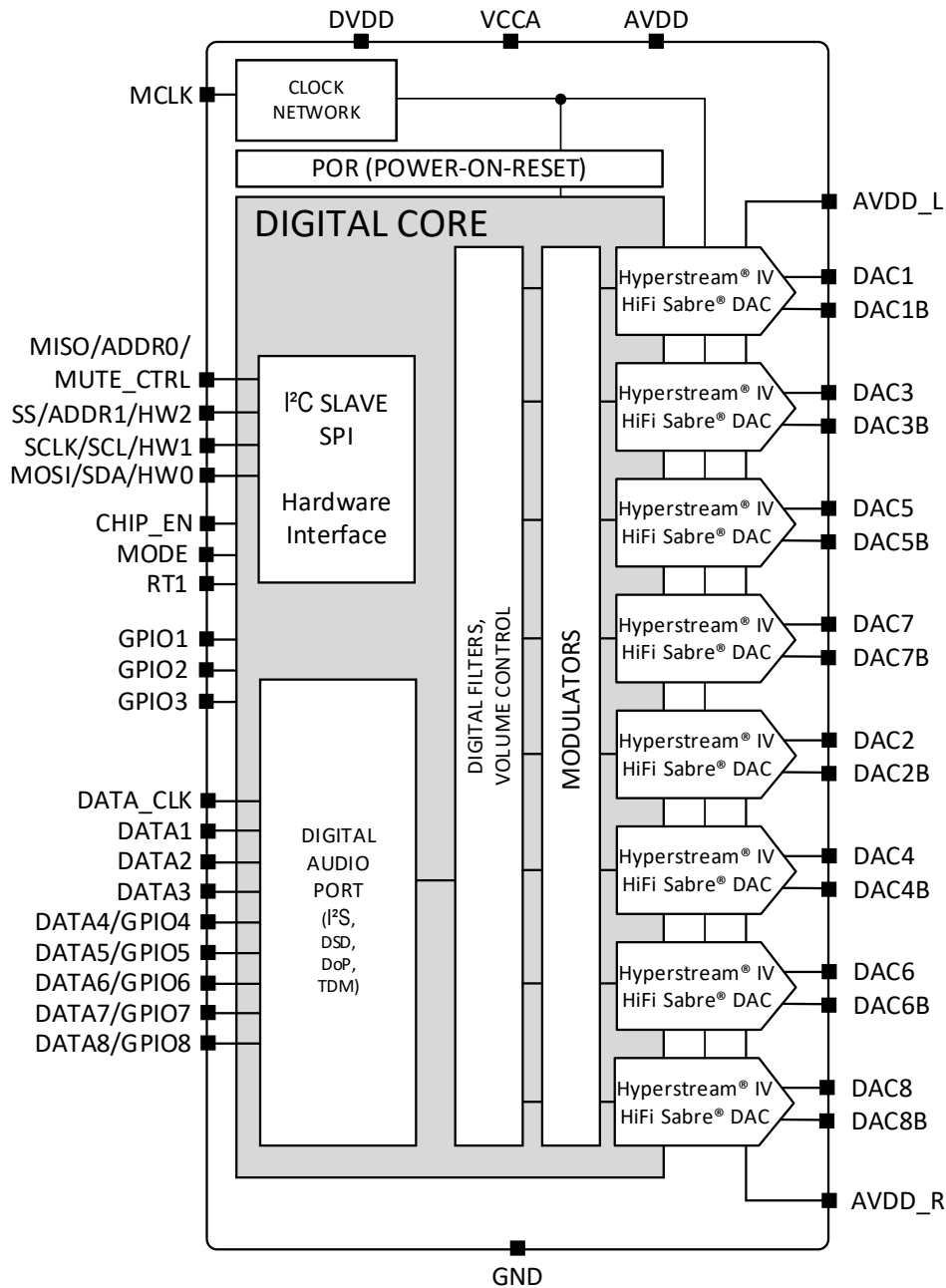


Figure 1 - Functional Block Diagram



# ES9017 Package

## 48 QFN/QFP Pinout<sup>1</sup>

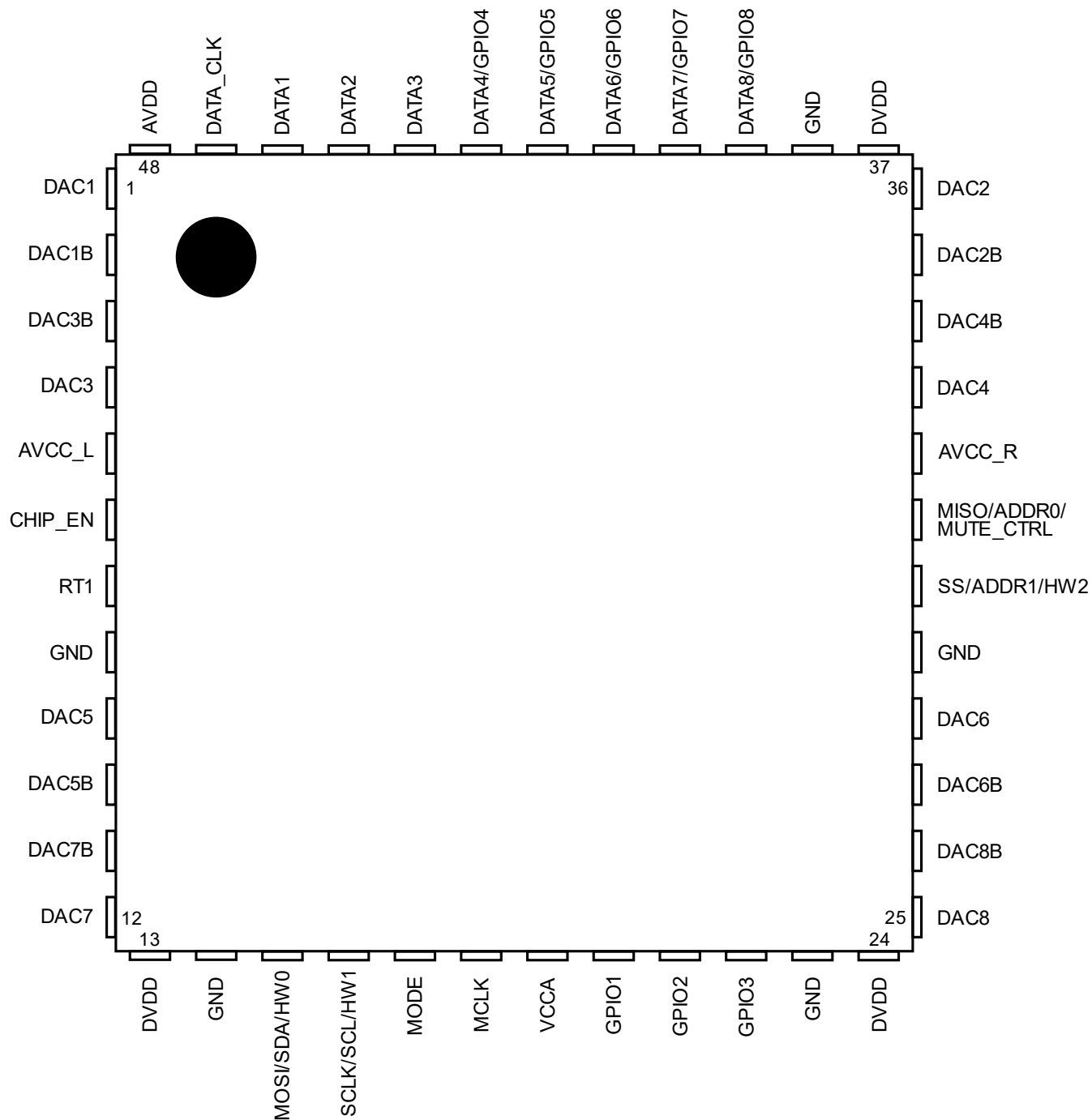


Figure 2 - 48 QFN/QFP Pinout

<sup>1</sup> ES9017Q has an exposed pad (Pin 49) that should be connected to ground, ES9017S does not have an exposed pad.





## 48 QFN/QFP Pin List

Pin	Name	Pin Type	Reset State	Pin Description
1	DAC1	AO	Ground	Differential Positive Output for Channel 1
2	DAC1B	AO	Ground	Differential Negative Output for Channel 1
3	DAC3B	AO	Ground	Differential Negative Output for Channel 3
4	DAC3	AO	Ground	Differential Positive Output for Channel 3
5	AVCC_L	Power	Power	3.3V DAC analog output stage reference supply for the Left side
6	CHIP_EN	I	HiZ	Active-high Chip Enable
7	RT1	I	HiZ	Reserved. Must be connected to GND for normal operation.
8	GND	Ground	Ground	Ground
9	DAC5	AO	Ground	Differential Positive Output for Channel 5
10	DAC5B	AO	Ground	Differential Negative Output for Channel 5
11	DAC7B	AO	Ground	Differential Negative Output for Channel 7
12	DAC7	AO	Ground	Differential Positive Output for Channel 7
13	DVDD	Power	Power	Digital Core Supply, 1.2V
14	GND	Ground	Ground	Ground
15	MOSI	I	HiZ	SPI Main Out Sub In pin, controlled by MODE
	SDA			I2C Serial Data pin, controlled by MODE
	HW0			Hardware 0 interface pin, controlled by MODE
16	SCLK	I	HiZ	SPI Serial Clock pin, controlled by MODE
	SCL			I2C Serial Clock pin, controlled by MODE
	HW1			Hardware 1 interface pin, controlled by MODE
17	MODE	I	HiZ	I2C/SPI Control selection or HW mode
18	MCLK	I	HiZ	Oscillator input
19	VCCA	Power	Power	Analog Supply, 3.3V
20	GPIO1	I/O	HiZ	General I/O w/extended functions
21	GPIO2	I/O	HiZ	General I/O w/extended functions
22	GPIO3	I/O	HiZ	General I/O w/extended functions
23	GND	Ground	Ground	Ground
24	DVDD	Power	Power	Digital Supply, 1.2V
25	DAC8	AO	Ground	Differential Positive Output for Channel 8
26	DAC8B	AO	Ground	Differential Negative Output for Channel 8
27	DAC6B	AO	Ground	Differential Negative Output for Channel 6
28	DAC6	AO	Ground	Differential Positive Output for Channel 6
29	GND	Ground	Ground	Ground
30	SS	I	HiZ	SPI Slave Select pin, controlled by MODE
	ADDR1			I2C Address 1 pin, controlled by MODE
	HW2			Hardware 2 interface pin, controlled by MODE
31	MISO	I	HiZ	SPI Main In Sub Out pin, controlled by MODE
	ADDR0			I2C Address 0 pin, controlled by MODE
	MUTE_CTRL			Hardware Mute Control pin, controlled by MODE
32	AVCC_R	Power	Power	3.3V DAC analog output stage reference supply for the Right side



## ES9017 Product Datasheet

33	DAC4	AO	Ground	Differential Positive Output for Channel 4
34	DAC4B	AO	Ground	Differential Negative Output for Channel 4
35	DAC2B	AO	Ground	Differential Negative Output for Channel 2
36	DAC2	AO	Ground	Differential Positive Output for Channel 2
37	DVDD	Power	Power	Digital Supply, 1.2V
38	GND	Ground	Ground	Ground
39	DATA8	I/O	HiZ	Serial DATA8
	GPIO8			General I/O 8
40	DATA7	I/O	HiZ	Serial DATA7
	GPIO7			General I/O 7
41	DATA6	I/O	HiZ	Serial DATA6
	GPIO6			General I/O 6
42	DATA5	I/O	HiZ	Serial DATA5
	GPIO5			General I/O 5
43	DATA4	I/O	HiZ	Serial DATA4
	GPIO4			General I/O 4
44	DATA3	I	HiZ	Serial DATA3 pin
45	DATA2	I	HiZ	Serial DATA2 pin
46	DATA1	I	HiZ	Serial DATA1 pin
47	DATA_CLK	I	HiZ	Serial Data Clock pin
48	AVDD	Power	Power	3.3V I/O Supply
49	Package Pad <sup>1</sup>	-	-	Only for ES9017Q, external pad, connect to GND

Table 1 - 48 QFN Pin List

\*Note: AO = Analog Output, I = Digital Input, I/O = Digital Input/Output

<sup>1</sup> Pin 49 is the package pad. See 40 QFN/QFP package dimensions for sizing. Connect to GND

## Feature List

The ES9017 is a SABRE 32-bit 8 channel digital-to-analog converter (DAC) using the new Hyperstream IV modulator.

The ES9017 benefits from improved analog performance over previous generations 8 channel DACs. It also supports TDM, PCM, DSD, DoP audio interfaces, SPI (or I<sup>2</sup>C) control interface and supports software or hardware modes for ease-of-use.

In software mode, all registers can be accessed and written to through I<sup>2</sup>C or SPI.

In hardware mode, the input format mode is selected through the hardware pins, limiting the flexibility of configuration.

## Configuration Modes

The ES9017 supports 2 different software modes (SPI or I<sup>2</sup>C), and supports 2 different sets of hardware modes (PCM or TDM/DSD). These modes are controlled by the state of the MODE Pin (Pin 17).

MODE PIN	Configuration	Description
1	Software Mode	SPI interface
Pull 1	Hardware Mode	TDM or DSD Modes
Pull 0	Hardware Mode	PCM Slave or Master Modes
0	Software Mode	I <sup>2</sup> C interface

Table 2 - Mode Pin Configuration Options

## Design Information

Hardware pins can be configured in 4 different ways. Each pin can be tied-high (1), pulled-high (Pull 1), pulled-low (Pull 0), or tied-low (0). HW0 and HW1 pins are always tied-high or tied-low. This also applies to MUTE\_CTRL.

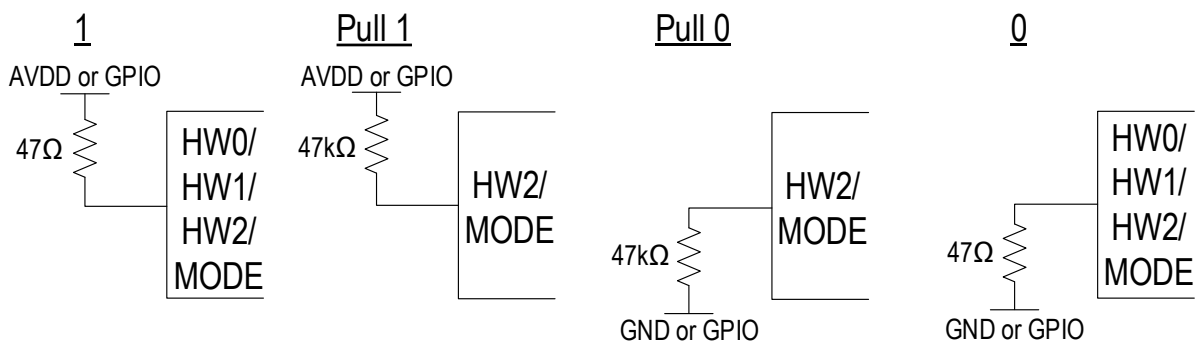


Figure 3 - Hardware Mode Pin Configurations

Note: Hardware mode pin states 0 and 1 can be directly connected to GND or AVDD.



### Software Mode

The ES9017 supports I<sup>2</sup>C or SPI serial communication. The ES9017 has read/write registers and read-only registers. Software modes are set with the MODE pin (Pin 17).

### I<sup>2</sup>C Slave Interface Commands

The I<sup>2</sup>C slave interface is enabled when the MODE pin (Pin 17) is tied low (MODE=0). In I<sup>2</sup>C mode, ADDR1 (Pin 30) and ADDR0 (Pin 31) determine the I<sup>2</sup>C address and the R/W bit controls reading or writing.

For I<sup>2</sup>C Timing information, see Timing Characteristics.

The I<sup>2</sup>C Slave Interface can be accessed by:

- Pin 15 SDA
- Pin 16 SCL
- Pin 30 ADDR1
- Pin 31 ADDR0

I<sup>2</sup>C Slave Address = [5'b10010, ADDR1, ADDR0, R/W]

I <sup>2</sup> C Slave Address	ADDR1	ADDR0
0x90	0	0
0x92	0	1
0x94	1	0
0x96	1	1

Table 3 - I<sup>2</sup>C Slave Addresses

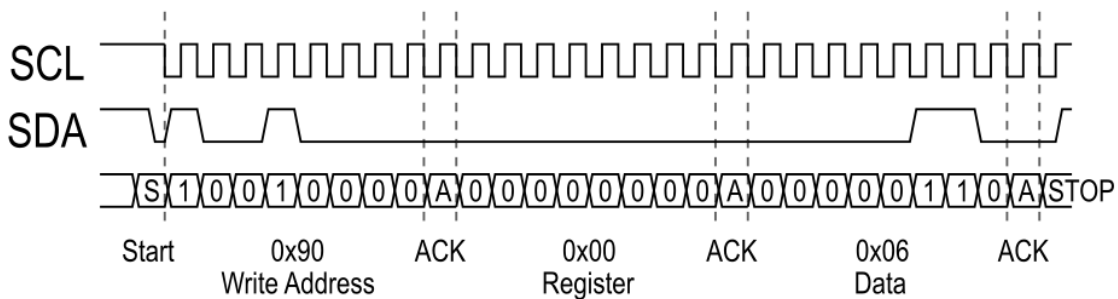


Figure 4 - I<sup>2</sup>C Write Example

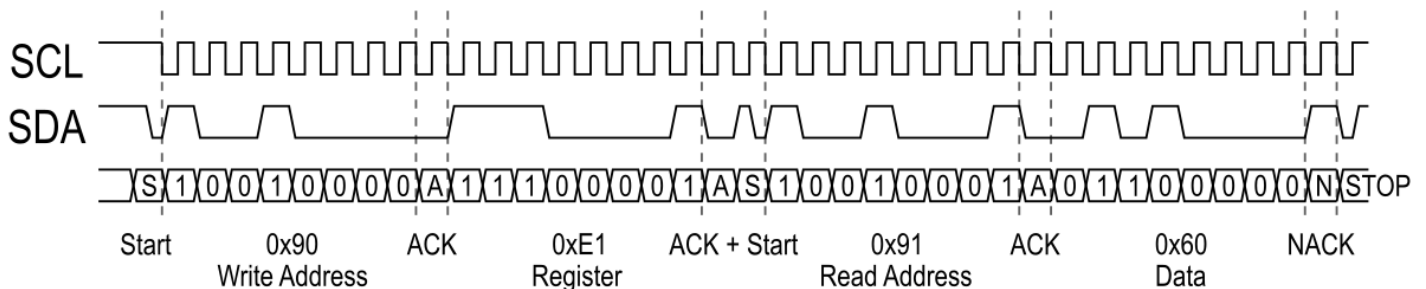


Figure 5 - I<sup>2</sup>C Read Example



**SPI Slave Interface Commands**

The Slave Serial Peripheral Interface (SPI) is used when the MODE pin (Pin 17) is tied high (MODE=1).

The slave SPI can be accessed by:

- Pin 15 MOSI
- Pin 16 SCLK
- Pin 30 SS
- Pin 31 MISO

The 4-wire SPI data format is: Command (1 byte) + Address (1 byte) + Data.

SPI commands:

- 0x01: Read
- 0x03: Write

For SPI timing information, see Timing Characteristics.

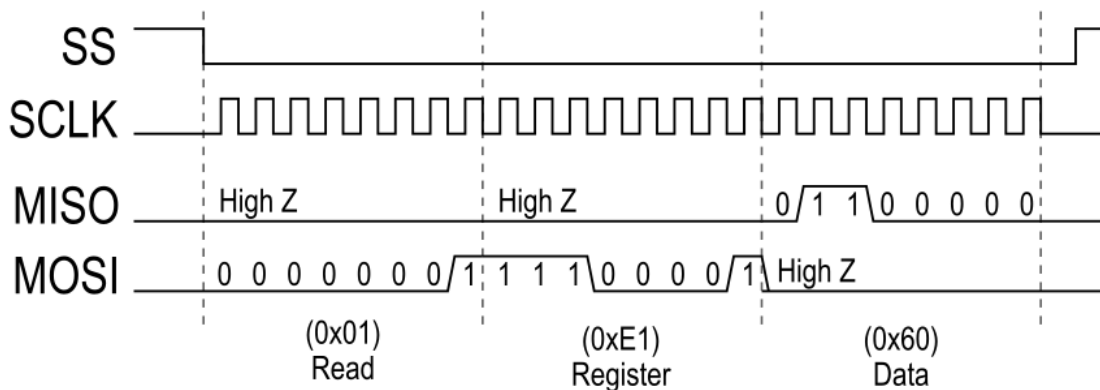


Figure 6 - SPI Single Byte Read

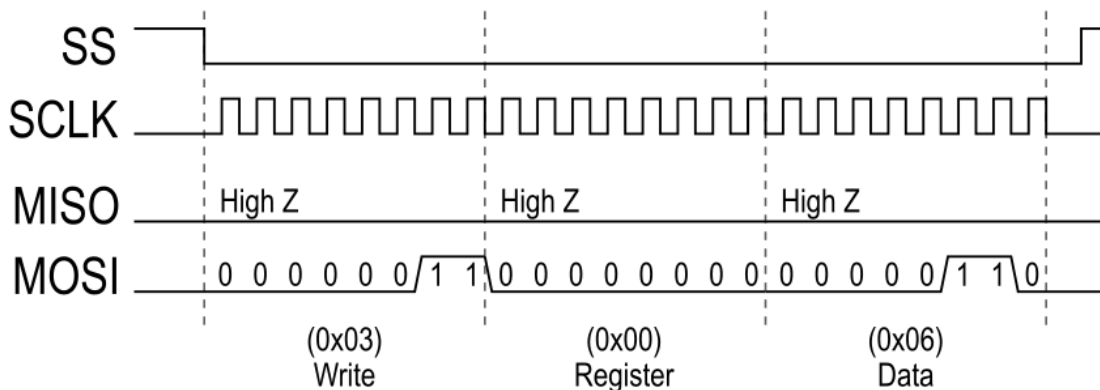


Figure 7 - SPI Single Byte Write



## Hardware Mode

The ES9017 has 21 pre-configured modes that can be set with hardware pins. These modes configure the DAC for different audio input formats, master/slave, and sample rates. See Design Information on how to configure the hardware pins.

These modes are set with pins:

- MODE (Pin 17)
- HW0 (Pin 15)
- HW1 (Pin 16)
- HW2 (Pin 30)
- MUTE\_CTRL (Pin 31)

### Recommended Hardware Mode Setup Sequence

The hardware mode setup sequence is shown below with all hardware pins being defined after CHIP\_EN is asserted.

Note: It is recommended that MUTE\_CTRL is low until CHIP\_EN is asserted, then asserted last to unmute the DAC.

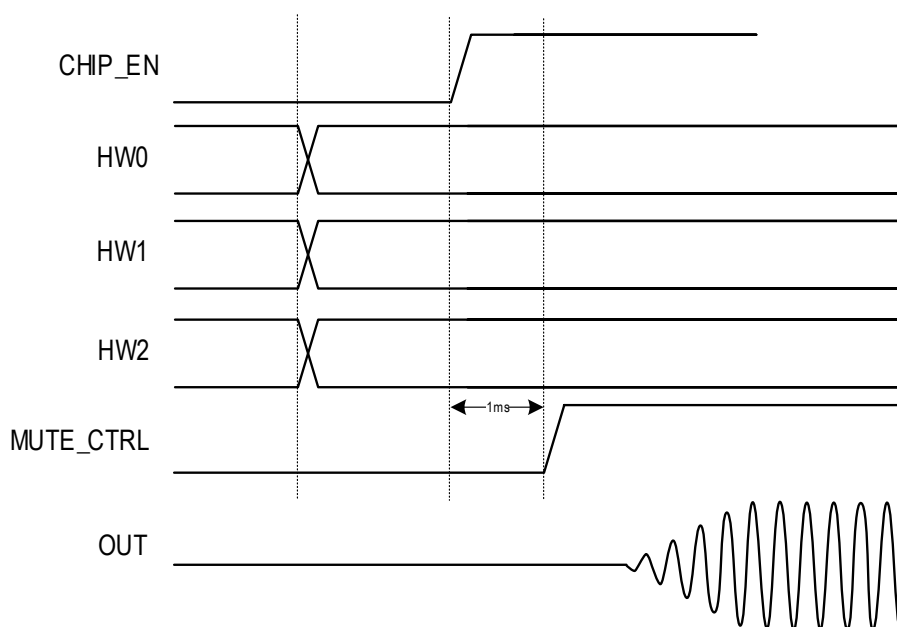


Figure 8 - Hardware Mode Startup Sequence

## ES9017 Product Datasheet



## Hardware Mode Pin Configurations

All modes on ES9017 require synchronous MCLK/FS/BCK or MCLK/DSDCLK.

HW #	Description	FS [kHz]	BCK [MHz]	MCLK [MHz]	MODE	HW2	HW1	HW0
<b>32-bit PCM Master Modes</b>								
0	I <sup>2</sup> S Master	MCLK/128	64*FS	128*FS	Pull 0	0	0	0
1	I <sup>2</sup> S Master	MCLK/256	64*FS	256*FS	Pull 0	0	0	1
2	I <sup>2</sup> S Master	MCLK/512	64*FS	512*FS	Pull 0	0	1	0
3	I <sup>2</sup> S Master	MCLK/1024	64*FS	1024*FS	Pull 0	0	1	1
4	LJ Master Mode	MCLK/128	64*FS	128*FS	Pull 0	Pull 0	0	0
5	LJ Master Mode	MCLK/256	64*FS	256*FS	Pull 0	Pull 0	0	1
6	LJ Master Mode	MCLK/512	64*FS	512*FS	Pull 0	Pull 0	1	0
7	LJ Master Mode	MCLK/1024	64*FS	1024*FS	Pull 0	Pull 0	1	1
<b>32-bit PCM Slave Modes</b>								
8	I <sup>2</sup> S Slave, MCLK/1 (or DoP) <sup>1</sup>	8≤FS≤768	64*FS	64*FS≤1024*FS	Pull 0	Pull 1	0	0
9	I <sup>2</sup> S Slave, MCLK/2 (or DoP) <sup>1</sup>	8≤FS≤384	64*FS	128*FS≤1024*FS	Pull 0	Pull 1	0	1
10	I <sup>2</sup> S Slave, MCLK/4 (or DoP) <sup>1</sup>	8≤FS≤192	64*FS	256*FS≤1024*FS	Pull 0	Pull 1	1	0
11	I <sup>2</sup> S Slave, ACG <sup>2</sup> (or DoP) <sup>1</sup>	8≤FS≤768	64*FS	64*FS≤1024*FS	Pull 0	Pull 1	1	1
12	LJ Slave, MCLK/1	8≤FS≤768	64*FS	64*FS≤1024*FS	Pull 0	1	0	0
13	LJ Slave, MCLK/2	8≤FS≤384	64*FS	128*FS≤1024*FS	Pull 0	1	0	1
14	LJ Slave, MCLK/4	8≤FS≤192	64*FS	256*FS≤1024*FS	Pull 0	1	1	0
15	LJ Slave, ACG <sup>2</sup>	8≤FS≤768	64*FS	64*FS≤1024*FS	Pull 0	1	1	1
<b>32-bit TDM LJ Slave Modes</b>								
16	TDM LJ Slave <sup>3</sup> Autodetect CH num Slots 1-8	8≤FS≤192	Auto (256FS/ 512FS/1024FS)	256*FS≤49.152	Pull 1	1	0	0
17	TDM LJ Slave <sup>1</sup> Autodetect CH num Slots 9-16	8≤FS≤96	Auto (512FS/1024FS)	512*FS≤49.152	Pull 1	1	0	1
18	TDM LJ Slave <sup>3</sup> Autodetect CH num Slots 17-24	8≤FS≤48	Auto (1024FS)	1024*FS≤49.152	Pull 1	1	1	0
19	TDM LJ Slave <sup>3</sup> Autodetect CH num Slots 25-32	8≤FS≤48	Auto (1024FS)	1024*FS≤49.152	Pull 1	1	1	1
<b>DSD Slave Modes</b>								
20	DSD Slave, MCLK/1	DSD64-512	64*44.1kHz- 512*44.1kHz	2*DSDCLK≤45.1584MHz	Pull 1	Pull 1	0	0
21	DSD Slave, ACG <sup>2</sup>	DSD64-512	64*44.1kHz- 512*44.1kHz	2*DSDCLK≤45.1584MHz	Pull 1	Pull 1	0	1

Table 4 - Hardware Mode Pin Configurations Table

<sup>1</sup> To enable DoP in HW mode, DATA8/GPIO8 pin must be high.

<sup>2</sup> ACG (Auto Clock Gearing) will gear MCLK down to 128\*FS, unless 64\*FS is required, or 2\*DSDCLK in DSD modes.

<sup>3</sup> TDM uses auto channel detect to determine the amount of channels. 8 Channels of data on a single data line is required in hardware mode to map to all 8 DACs. In software mode, 4 channels on 2 data lines is also supported.



## GPIO Functions in Hardware Mode

The following GPIO pins add functionality in Hardware Modes. Unused GPIOs should be terminated to ground.

**Warning: GPIO3 MUST be grounded in hardware modes.**

Pin	Functionality	Settings
GPIO1	Outputs Automute Status	Output 0: Automute not engaged Output 1: Automute engaged
DATA6/GPIO6	Sets FILTER_SHAPE in Hardware Mode	1'b0: Minimum Phase 1'b1: Linear Phase Fast Roll-Off
DATA8/GPIO8	Enables the DoP decoder <sup>1</sup>	1'b0: DoP Disabled 1'b1: DoP Enabled

Table 5 - GPIO Functions in Hardware Mode

## Mute Control

MUTE\_CTRL (Pin 31) is used to control the mute configuration of the DAC in hardware mode. It allows for simply muting and unmuting, and to enable automute function to allow the DAC to mute itself as a function of input level.

- 1 Output Unmuted, No Automute
- Pull 1 Output Unmuted, Automute Enabled
- Pull 0 Output Muted, Automute Enabled
- 0 Output Muted, No Automute

<sup>1</sup> DoP is only supported in HW modes 8-11



## Digital Features

### Digital Signal Path

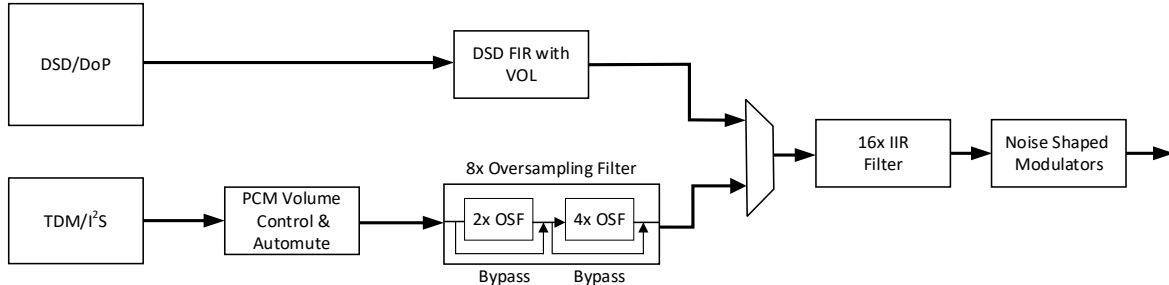


Figure 9 - Digital Signal Path

### GPIO Configuration

GPIO_CONFIG	Function	I/O Direction
0	Analog Shutdown*	N/A
1	1'b0	Output
2	1'b1	Output
3	CLK_IDAC output	Output
4	Reserved	N/A
5	Mute All Channel	Input
6	System Mode Control	Input
7	Reserved	Output
8	CLKEN_1FS	Output
9	TDM_VALID	Output
10	DOP_VALID	Output
11	BCK_WS_FAIL	Output
12	Volume Min	Output
13	Automute Status	Output
14	Soft Ramp Finished	Output
15	Reserved	N/A

Table 6 - GPIO Configuration Functions

#### GPIO Default states:

GPIO1: Automute Status  
 GPIO2-8: Analog Shutdown

#### Analog Shutdown

Analog Shutdown is input disabled, output is tri-stated.

#### Output 1'b0

Outputs a constant 1'b0.



### Output 1'b1

Outputs a constant 1'b1.

### CLK\_IDAC Output

Outputs the CLK\_IDAC clock. Requires DAC to be on.

### Mute All Channels

Mute all DAC channels

### System Mode Control

Change the system mode (enable/disable datapath) via GPIO. Register 23-24[15] GPIO\_DAC\_MODE changes whether a 1 on the GPIO will enable or disable the datapath.

When GPIOx input is 1'b0, the system mode will be determined by Register 0[1] DEC\_MODE\_REG.

#### Relevant Registers

- Register 23-24[15] GPIO\_DAC\_MODE
  - 1'b0: Disable datapath when GPIOx input is 1'b1
  - 1'b1: Enable datapath when GPIOx input is 1'b0
- Register 0[1] DAC\_MODE\_REG

### CLKEN\_1FS

Outputs the CLKEN\_1FS clock, which is a clock with a pulse every 1FS.

### TDM\_VALID

Outputs HIGH when the TDM input is valid.

### DOP\_VALID

Outputs HIGH when the DoP input is valid.

Note: DOP\_VALID is for Channel 1&2, as a channel pair

### BCK\_WS\_FAIL

Outputs the status of the BCK and WS monitors. HIGH if either monitor detects an invalid signal.

BCK is considered invalid if the ratio  $MCLK/BCK > 1024$ .

WS is considered invalid if the ratio  $BCK/WS > 256$ .

Note: The minimum BCK frequency for the flag to stay valid is 176.4kHz/192kHz for 45.1584MHz/49.152MHz MCLKs respectively.

#### Relevant Registers

- Register 30[5] ENABLE\_WS\_MONITOR
- Register 30[4] ENABLE\_BCK\_MONITOR

## ES9017 Product Datasheet



### Volume Min

Outputs HIGH when the DAC is muted. This can occur from manually muting, automuting, and setting volume to 0xFF.

#### Relevant Registers

- Register 23-24[4] GPIO\_OR\_VOL\_MIN sets the output to be the logical AND of both channels' vol min flags.
- Register 23-24[1] GPIO\_AND\_VOL\_MIN sets the output to be the logical OR of both channels' vol min flags.
- Register 23-24[8:6] FLAG\_CH\_SEL selects which of the individual DAC channel flags to output.

### Automute Status

Outputs HIGH when the DACs automute condition is met. The output can be any of the channels' flags or be the logical AND or OR of all the flags.

#### Relevant Registers

- Register 23-24[3] GPIO\_OR\_AUTOMUTE sets the output to be the logical OR of all channels' automute flags
- Register 23-24[0] GPIO\_AND\_AUTOMUTE sets the output to be the logical AND of all channels' automute flags
- Register 23-24[8:6] GPIO\_SEL sets the output to be one of the individual channels' flags

### Soft Ramp Finished

Outputs HIGH when the DAC is neither ramping up nor down. The output can be any of the channels' flags or be the logical AND or OR of all the flags.

#### Relevant Registers

- Register 23-24[5] GPIO\_OR\_SS\_RAMP sets the output to be the logical OR of all channels' soft ramp flags
- Register 23-24[2] GPIO\_AND\_SS\_RAMP sets the output to be the logical AND of all channels' soft ramp flags
- Register 23-24[8:6] GPIO\_SEL sets the output to be one of the individual channels' flags



## Audio Input Formats

The ES9017 supports PCM, TDM, DoP and Native DSD. ES9017 can detect the input format on DATA2 by default (Register 25[0] AUTO\_INPUT\_SEL=1). The input data format can also be manually set using Register 25[2:1] INPUT\_SEL.

The formats include:

- PCM (I<sup>2</sup>S/LJ)
  - Slave and master mode in 16, 24, 32-bit widths.
  - I<sup>2</sup>S, Left Justified (LJ), and Right Justified (RJ).
  - Sample rates up to 768kHz (64fs mode).
  - Channel Remapping & Invert.
- TDM
  - Slave mode in hardware mode. Slave and master modes in software mode.
  - LJ format in hardware modes. I<sup>2</sup>S or LJ in software modes.
  - Channel Remapping & Invert.
- DoP (DSD Over PCM)
  - Slave and master mode.
  - Sample rates from DoP512 (24bit, 1.4112MHz PCM).
  - Channel Remapping & Invert.
- Native DSD
  - Slave and master mode.
  - Sample rates from DSD64 (2.8224Mbits/sec, 64 x 44.1kHz) to DSD512.
  - Channel Invert.

# ES9017 Product Datasheet



## PCM (I<sup>2</sup>S/LJ)

Data is organized into 2 channels per data line. Any channel on any data line can be mapped to any DAC through the TDM\_CHx\_CONFIG channel mapping Registers 32-39. Data is latched on the positive edge of BCLK.

In hardware mode, PCM (I<sup>2</sup>S/LJ) data lines are fixed to the mapping shown in Table 8.

In software mode, PCM (I<sup>2</sup>S/LJ) data lines can be re-mapped to any DAC.

PCM Pin Connections:

Pin Name	Function	Description
DATA_CLK	PCM BCLK	PCM Clock (Bit Clock), Master or Slave
DATA1	PCM WS	PCM WS (Word Select/Frame Select), Master or Slave
DATA2	PCM DATA	PCM Data Channel 1 & 2
DATA3	PCM DATA	PCM Data Channel 3 & 4
DATA4	PCM DATA	PCM Data Channel 5 & 6
DATA5	PCM DATA	PCM Data Channel 7 & 8

Table 7 - PCM Pin Connections

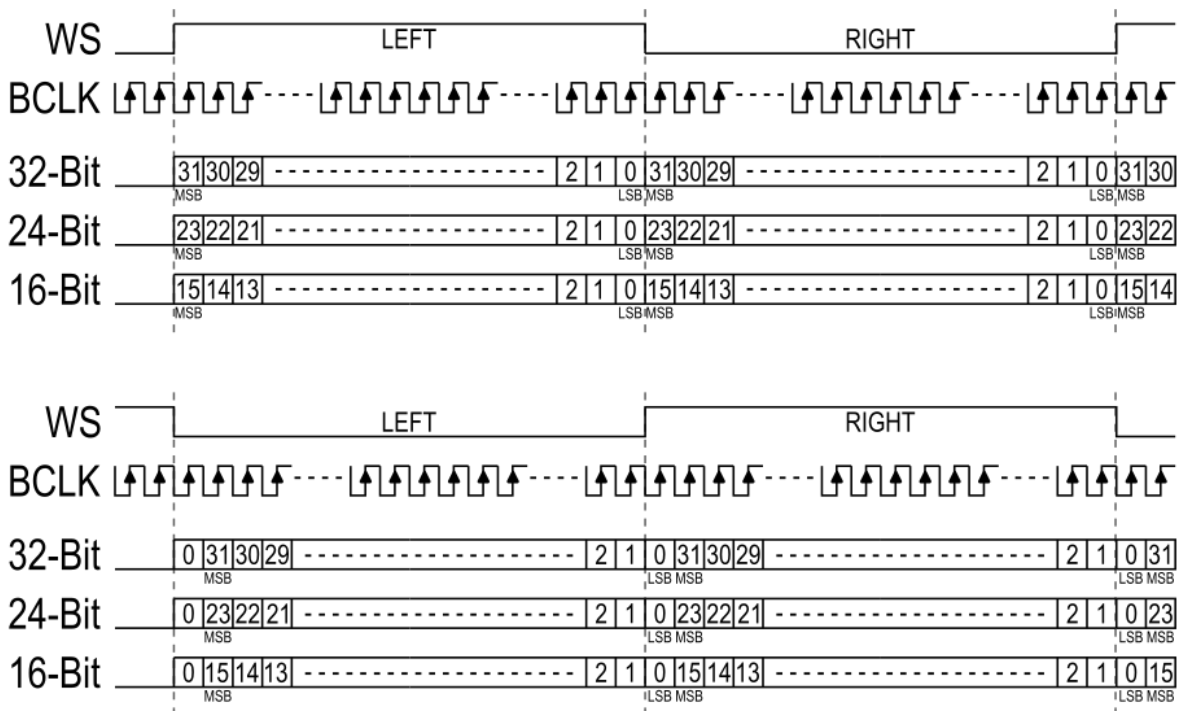


Figure 10 - LJ (top) & I<sup>2</sup>S (bottom) for 16, 24, and 32-bit Word Widths

Note: RJ is only supported in software mode



**TDM (Time-Division Multiplexing)**

The ES9017 supports TDM format, allowing for 4 channels, 8 channels, 16 channels or 32 channels on a single data line. Supported formats are TDM4 (4ch), TDM8 (8ch), TDM16 (16ch) and TDM32 (32ch). TDM is supported in both software and hardware modes. Data is latched on the positive edge of BCLK.

In hardware mode, TDM8 and above are supported. Hardware modes require TDM data line to be input through DATA2. In hardware mode, TDM8 will map slots 1 to 8 to DACs 1 to 8, respectively. In the case of TDM16, the hardware mode will be configured so that slots 1 to 8 will map to one device (HW mode #16), and slots 9-16 to the next device (HW mode #17).

In software mode, Register 32-39: TDM\_CHx\_CONFIG can be set to internally map any slot to each DAC. In this case TDM4, TDM8, TDM16 and TDM32 are all supported. Software mode allows the TDM Data to be input through any of the serial data lines (DATA2, DATA3, DATA4 or DATA5).

TDM Pin Connection:

Pin Name	Function	Description
DATA_CLK	TDM BCLK	TDM bit clock, Master or Slave
DATA1	TDM WS	TDM Word Select/Frame Clock, Master or Slave
DATA2	TDM DATA	TDM data line

Table 8 - TDM Pin Connections

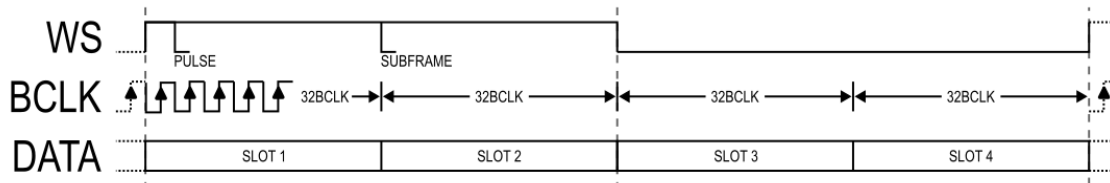


Figure 11 - TDM4 Mode

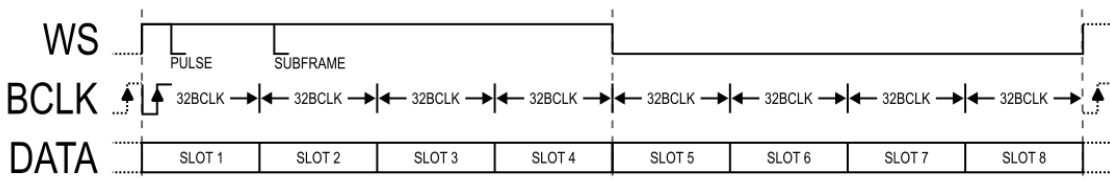


Figure 12 - TDM8 Mode

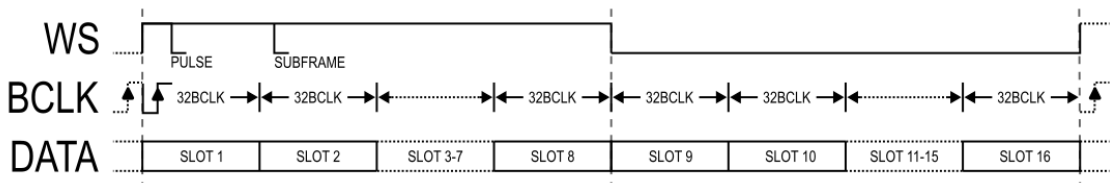


Figure 13 - TDM16 Mode



DSD<sup>1</sup>

In DSD mode, there is a single DSD clock line, and each channel of data is an additional DSD data line. There is no internal channel mapping for DSD input, DSD data input to DATA1 is sent to DAC1, DSD data input to DATA2 is set to DAC2, etc.

DSD Pin Connections:

Pin Name	Function	Description
DATA_CLK	DSD CLK	DSD Clock
DATA1	DSD CH1	DSD DATA Channel 1
DATA2	DSD CH2	DSD DATA Channel 2
DATA3	DSD CH3	DSD DATA Channel 3
DATA4	DSD CH4	DSD DATA Channel 4
DATA5	DSD CH5	DSD DATA Channel 5
DATA6	DSD CH6	DSD DATA Channel 6
DATA7	DSD CH7	DSD DATA Channel 7
DATA8	DSD CH8	DSD DATA Channel 8

Table 9 - DSD Pin Connections

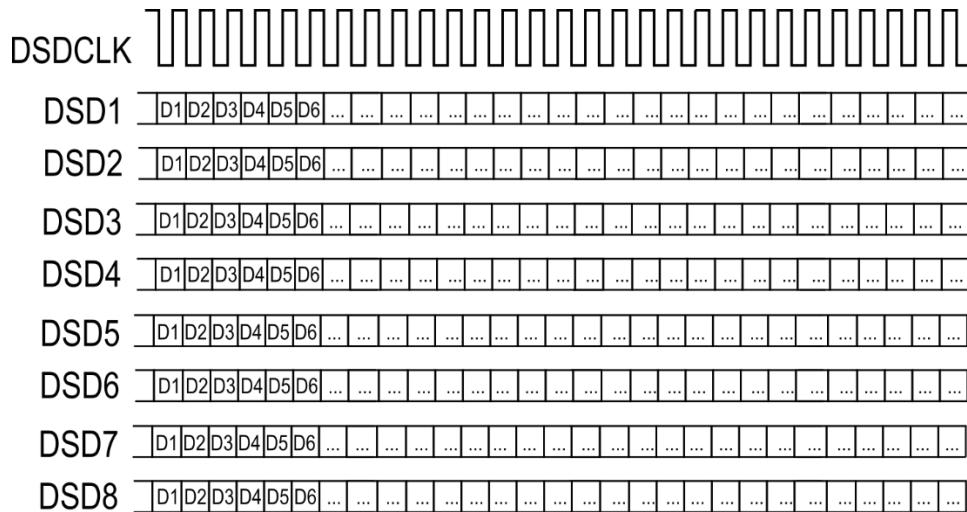


Figure 14 - DSD Format, 1-bit stream

<sup>1</sup> Automute feature is not available when using DSD mode.



## Pre-Programmed Digital Filters

The ES9017 has 7 pre-programmed digital filters. The latency for each filter reduces (scales) with increasing sample rates. (See Register 53[2:0] FILTER\_SHAPE for configuration)

#	Filter	Description
0	Minimum Phase (default)	Version 2 of minimum phase fast roll-off (#6) with less ripple and more image rejection
1	Linear Phase Apodizing Fast Roll-Off	Full image rejection by FS/2 to avoid any aliasing, with smooth roll-off starting before 20k.
2	Linear Phase Fast Roll-Off	SABRE legacy filter, optimized for image rejection @ 0.55FS
4	Linear Phase Slow Roll-Off	SABRE legacy filter, optimized for lower latency, but symmetric impulse response
5	Minimum Phase Fast Roll-Off	Low latency, minimal pre ringing and low passband ripple, image rejection @ 0.55FS
6	Minimum Phase Slow Roll-Off	Lowest latency at the cost of image rejection
7	Minimum Phase Fast Roll-Off Low Dispersion	Provides a nice balance of the low latency of minimum phase filters and the low dispersion of linear phase filters. Minimal pre-ringing is added to achieve the low dispersion in the audio band.

Table 10 - Pre-Programmed Digital Filter Descriptions

Note: Minimum phase filters are asymmetric filters that work to minimize the pre-echo of the filter, while still maintaining an excellent frequency response and they peak earlier than linear phase filters, resulting in a lower group delay. Minimum phase filters usually feature zero cycles of pre-echo, which can result in improved audio quality.

### PCM Filter Latency

The following table shows the simulated latency of each filter at 44.1kHz sampling rate. Measurements were taken from the external impulse response. The extra sample delay to get the data encoded accounts for external processing time to serialize the data stream. Latency will reduce (scale) with sampling rate.

Digital Filter	Delay(us) @ FS = 44.1kHz
Minimum Phase (default)	163us
Linear Phase Apodizing Fast Roll-Off	829us
Linear Phase Fast Roll-Off	843us
Linear Phase Slow Roll-Off	218us
Minimum Phase Fast Roll-Off	163us
Minimum Phase Slow Roll-Off	141us
Minimum Phase Fast Roll-Off Low Dispersion	299us

Table 11 - PCM Filter Latency



## ES9017 Product Datasheet



## PCM Filter Properties

Minimum Phase					
Parameter	Conditions	MIN	TYP	MAX	UNIT
Pass band				0.46FS	Hz
Stop band	-97dB	0.55FS			Hz
Group Delay		2.90/FS		8.99/FS	s
Flatness (ripple)	0.0012				dB

Linear Phase Apodizing Fast Roll-Off					
Parameter	Conditions	MIN	TYP	MAX	UNIT
Pass band				0.41FS	Hz
Stop band	-107dB	0.50FS			Hz
Group Delay			32.81/FS		s
Flatness (ripple)	0.0024				dB

Linear Phase Fast Roll-Off					
Parameter	Conditions	MIN	TYP	MAX	UNIT
Pass band				0.45FS	Hz
Stop band	-117dB	0.55FS			Hz
Group Delay			33.43/FS		s
Flatness (ripple)	0.0030				dB

Linear Phase Slow Roll-Off					
Parameter	Conditions	MIN	TYP	MAX	UNIT
Pass band	-3dB			0.44FS	Hz
Stop band	-91dB	0.75FS			Hz
Group Delay			5.87/FS		s
Flatness (ripple)					dB

Minimum Phase Fast Roll-Off					
Parameter	Conditions	MIN	TYP	MAX	UNIT
Pass band				0.46FS	Hz
Stop band	-98dB	0.55FS			Hz
Group Delay		2.91/FS		9.14/FS	s
Flatness (ripple)	0.0023				dB



## ES9017 Product Datasheet

Minimum Phase Slow Roll-Off					
Parameter	Conditions	MIN	TYP	MAX	UNIT
Pass band	-3dB			0.43FS	Hz
Stop band	-91dB	0.80FS			Hz
Group Delay		2.08/FS		3.56/FS	s
Flatness (ripple)					dB

Minimum Phase Slow Roll-Off Low Dispersion					
Parameter	Conditions	MIN	TYP	MAX	UNIT
Pass band	-3dB			0.43FS	Hz
Stop band	-91dB	0.80FS			Hz
Group Delay		9.32/FS		9.93/FS	s
Flatness (ripple)					dB

Table 12 - PCM Filter Properties

# ES9017 Product Datasheet



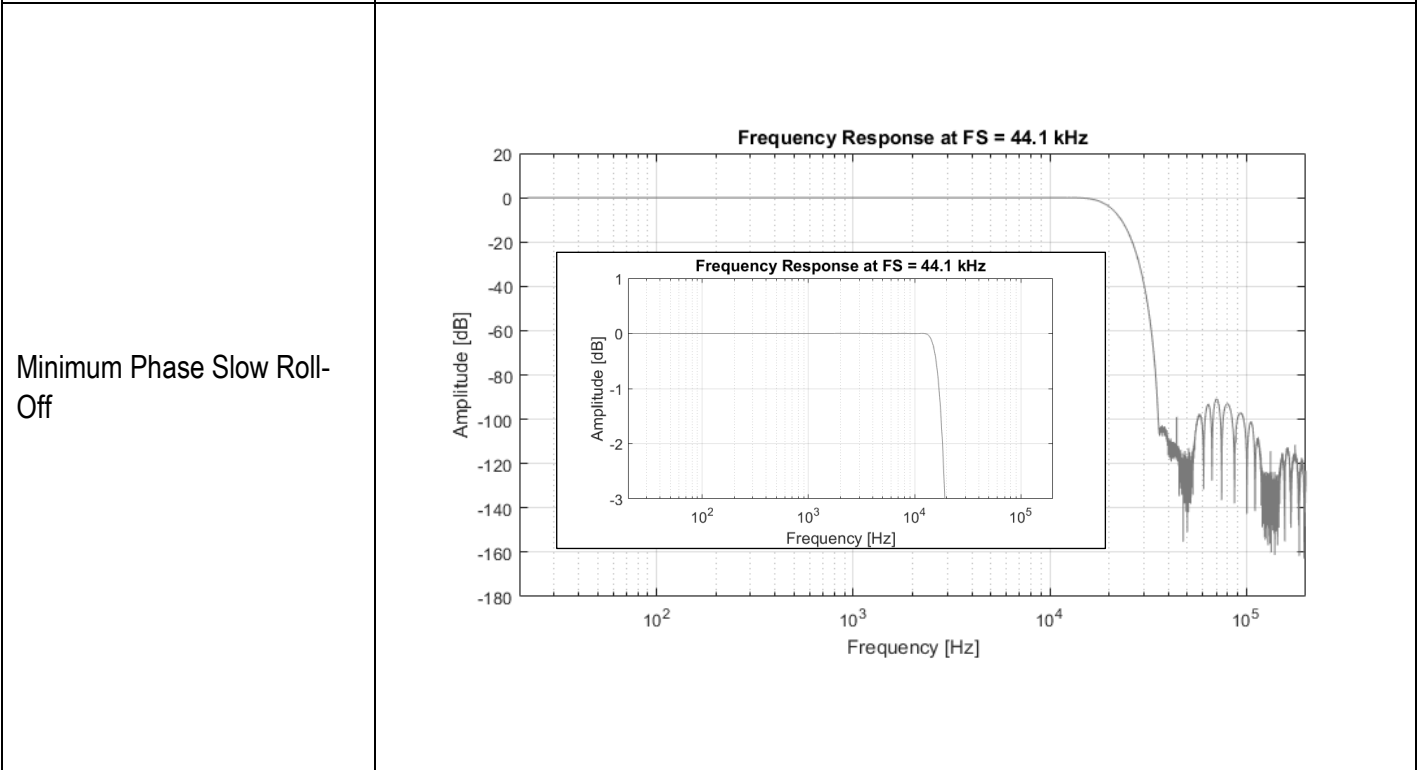
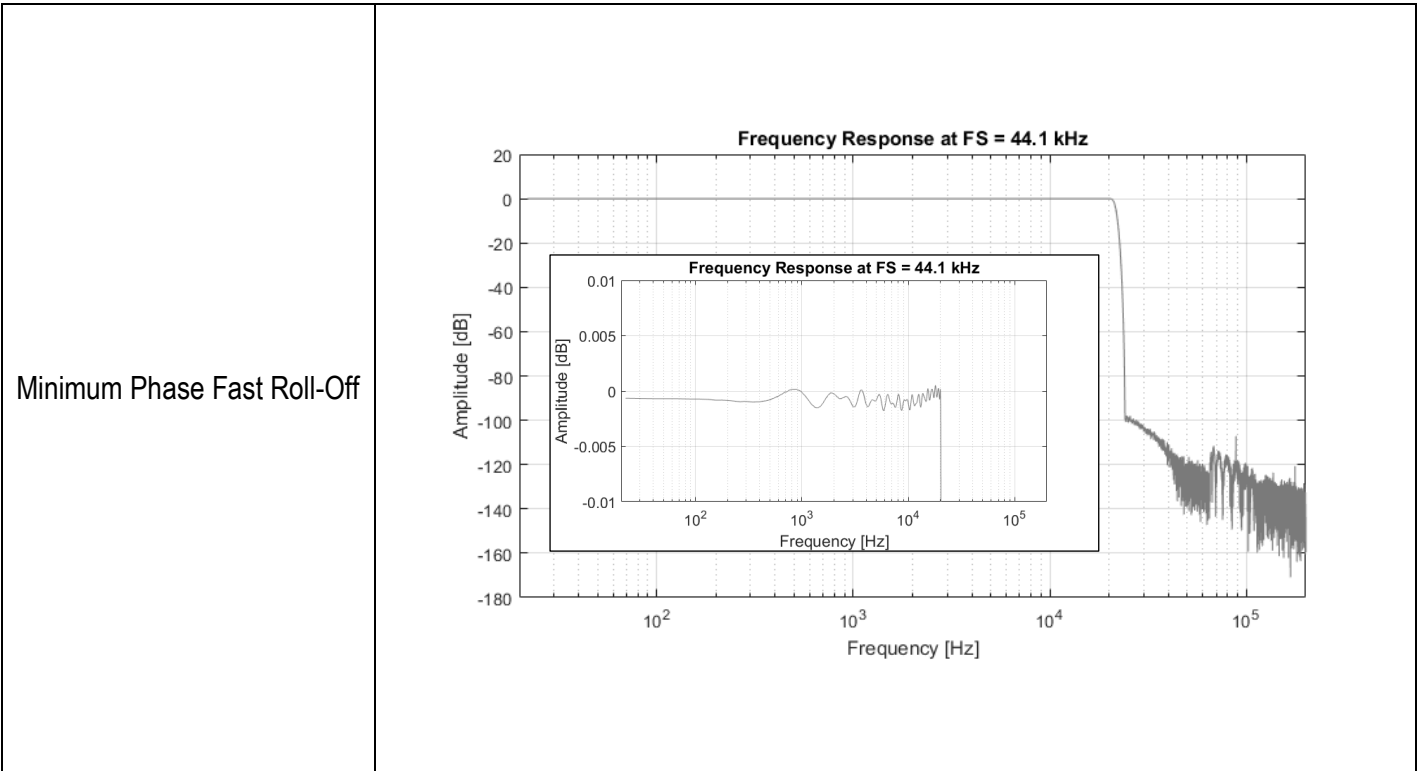
## PCM Filter Frequency Response

The following frequency responses were obtained from software simulations of these filters. Simulation sample rate is 44.1kHz.

Filter	Frequency Response
<p>Minimum Phase</p>	
<p>Linear Phase Apodizing Fast Roll-Off</p>	



<p>Linear Phase Fast Roll-Off</p>	
<p>Linear Phase Slow Roll-Off</p>	



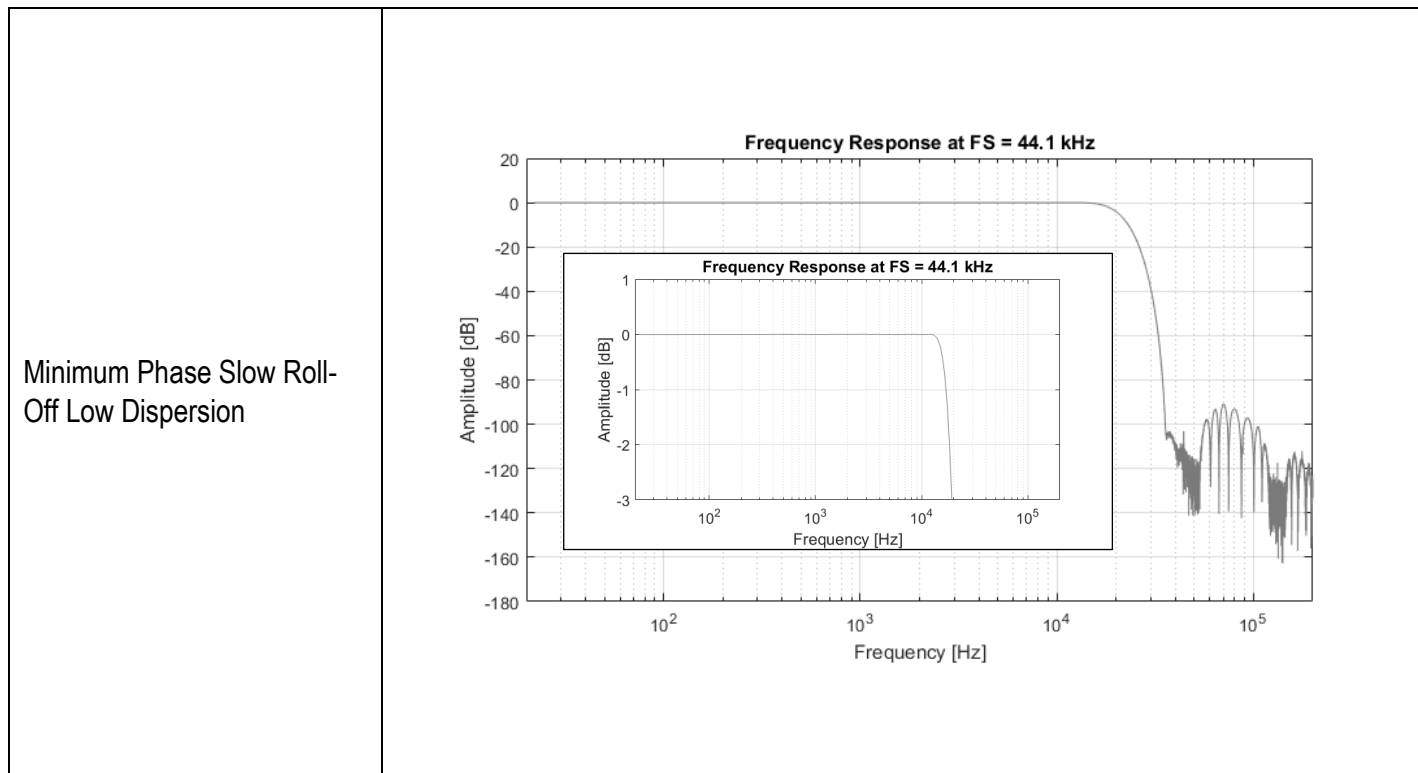


Table 13 - PCM Filter Frequency Response



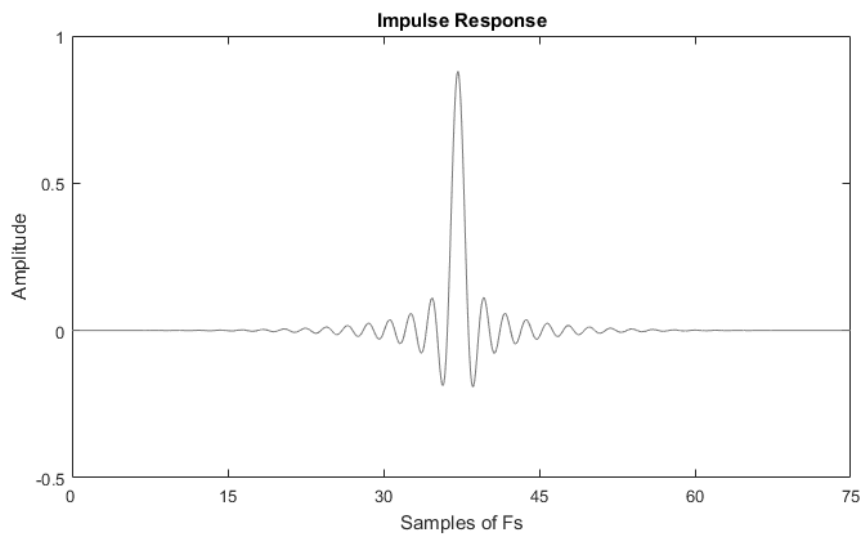
**PCM Filter Impulse Response**

The following impulse responses were obtained from software simulations of these filters. They were measured from the external impulse response. The extra sample delay to get the data encoded accounts for external processing time to serialize data stream.

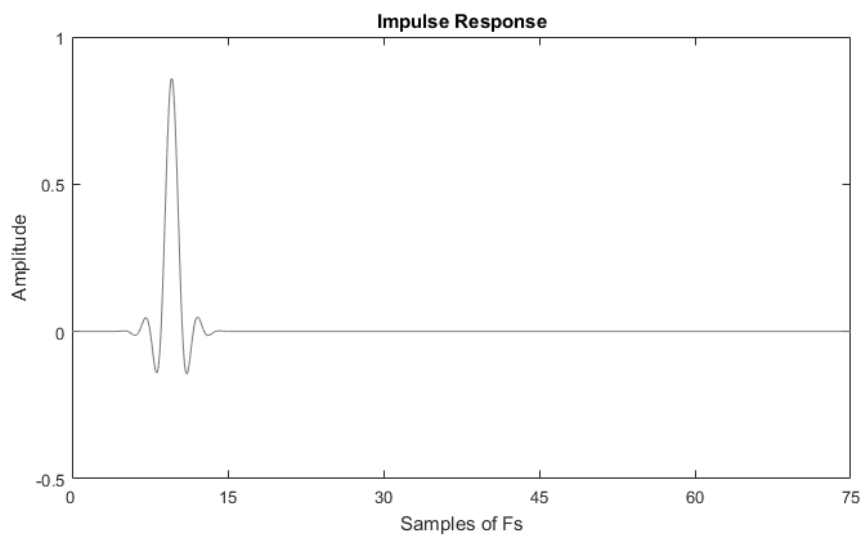
Filter	Impulse Response
<p>Minimum Phase</p>	
<p>Linear Phase Apodizing Fast Roll-Off</p>	



Linear Phase Fast Roll-Off



Linear Phase Slow Roll-Off







<p>Minimum Phase Fast Roll-Off</p>	
<p>Minimum Phase Slow Roll-Off</p>	

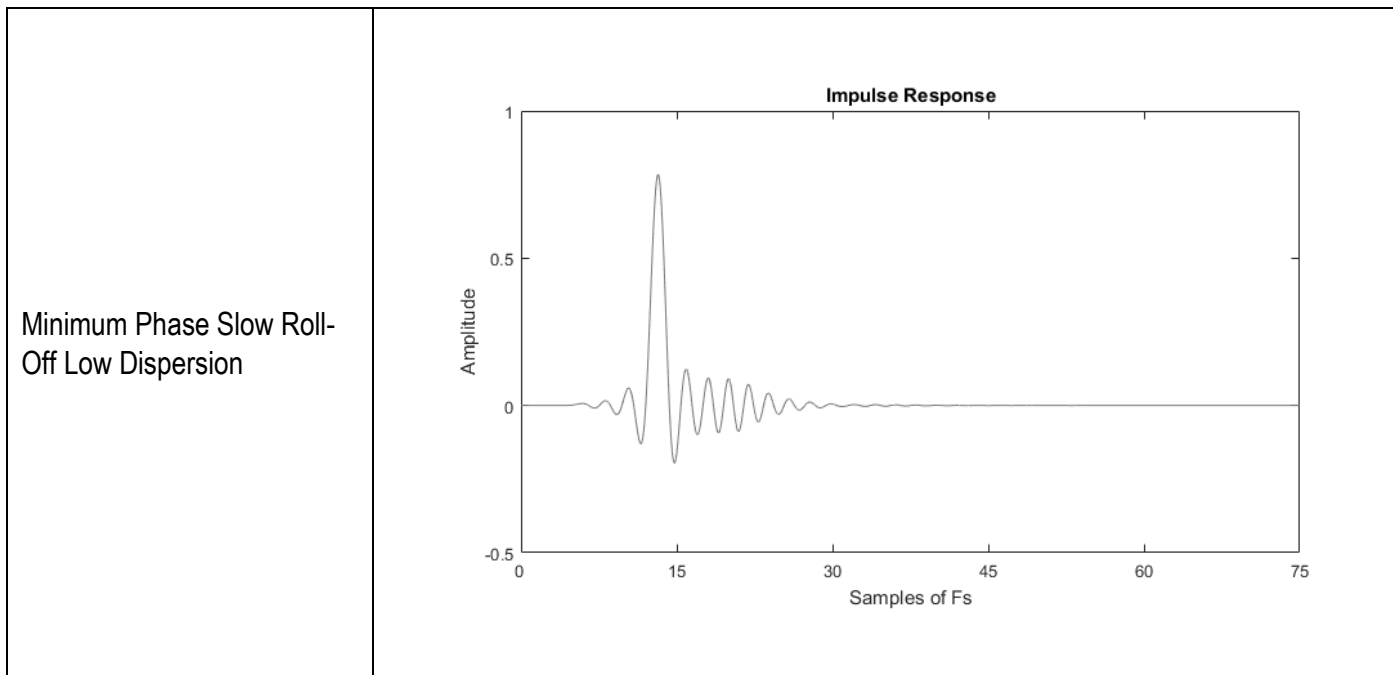


Table 14 - PCM Filter Impulse Response

## ES9017 Product Datasheet



### 64FS Mode

64FS mode allows for PCM sample rates with an MCLK equal to  $64 \cdot FS$ . This allows for support of 768kHz/705.6kHz sample rates with 49.152MHz/45.1584MHz MCLK, or 384kHz/352.8kHz sample rate with 24.576MHz/22.5792MHz MCLK.

64FS mode is supported in both software and hardware modes.

- AUTO\_FS\_DETECT will use 64FS mode if required.

### Minimum Phase 64FS Latency

The following table shows the simulated latency at 705.6kHz sampling rate. The measurement was taken from the external impulse response. The extra sample delay to get the data encoded accounts for external processing time to serialize the data stream. Latency delay will scale with sample rate (FS).

Digital Filter	Delay(us) @ FS = 705.6 kHz
Minimum Phase Double Rate	8us

Table 15 - Minimum Phase 64FS Latency

### Minimum Phase 64FS Properties

Minimum Phase 64FS Mode					
Parameter	Conditions	MIN	TYP	MAX	UNIT
Pass band	-3dB			0.45FS	Hz
Stop band	-62dB	0.68FS			Hz
Group Delay		1.55/FS		2.35/FS	s
Flatness (ripple)					dB

Table 16 - Minimum Phase 64FS Properties



### Minimum Phase 64FS Frequency Response

This filter gets selected automatically when  $MCLK/FS = 64$ . The following frequency response was obtained from software simulations with a sample rate of 705.6kHz

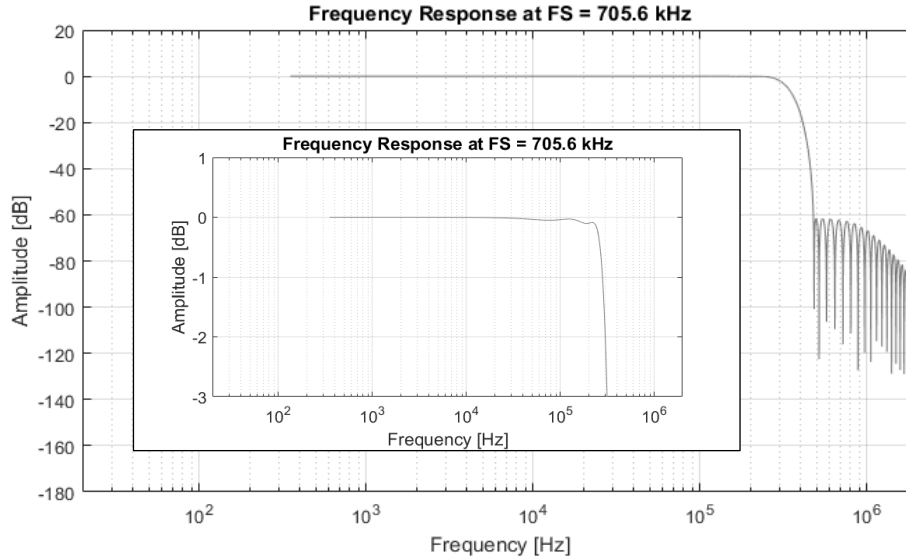


Figure 15 - Minimum Phase 64FS Frequency Response

### Minimum Phase 64FS Impulse Response

The following impulse response was obtained from software simulations. It was measured from the external impulse response. The extra sample delay to get the data encoded accounts for external processing time to serialize the data stream.

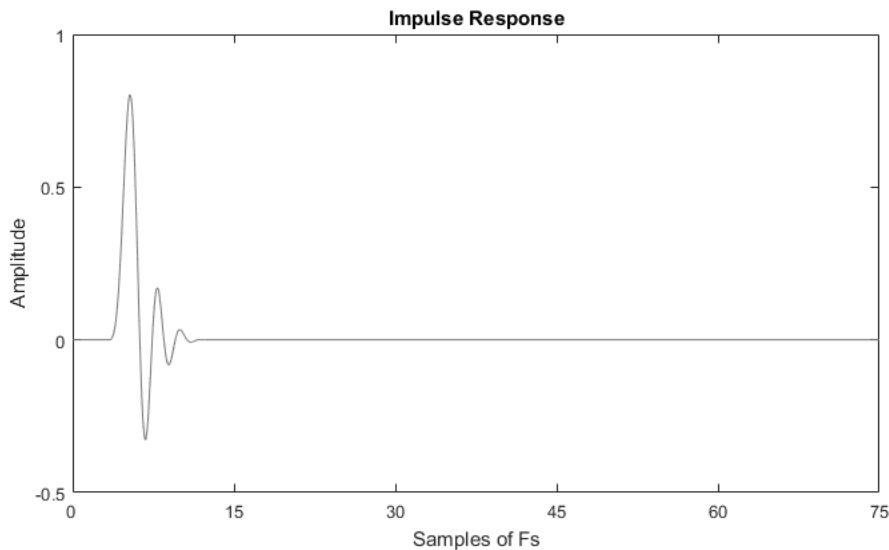


Figure 16 – Minimum Phase 64FS Impulse Response



## Analog Features

### Combining Channels

If 8 individual output channels are not required, ES9017 DACs can be combined to improve the performance per channel. For peak performance, it is recommended that channels are combined in an anti-phase approach as shown in Figure 17 - Example of Channel Combination for 4 Outputs.. In this way, DAC1 is connected to DAC3B, and DAC1B is connected to DAC3 to make one output channel. This method is extended to the other channels. Register 52: DAC\_INVERT can be used to invert channels (3, 4, 7 and 8 in this example).

Combining channels in anti-phase allows for the effect of anti-phase summing, resulting in lower noise. Since register 52 must be set, it requires software mode. For combining channels in hardware mode, in-phase combination is recommended and will still improve performance per channel.

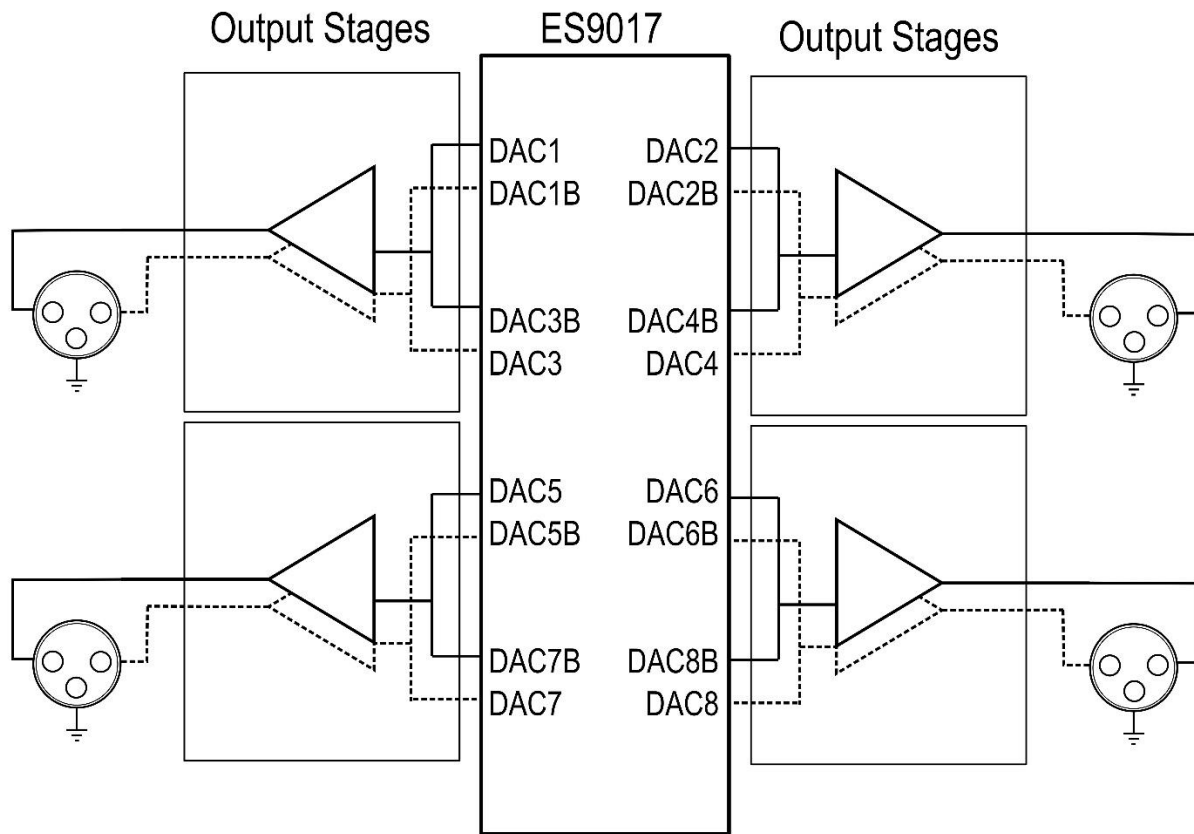


Figure 17 - Example of Channel Combination for 4 Outputs.



## Calibration Resistor

ES9017 features a ~100kΩ calibration resistor accessible through GPIO3 (Pin 22) and terminated to ground as shown in Figure 18. The calibration resistor is enabled by default but can be disabled with Register 13[6] CAL\_RES\_ENB =1.

ESS's ES9312 features a calibration mode that can be paired with ES9017 to compensate AVCCCL and AVCCR supplies. The ES9312 connects to the ES9017's integrated calibration resistor and adjusts the output supplies to maintain a tighter distribution on the output level in an application.

**Note: The calibration resistor is only supported in software mode.**

To access the calibration resistor through GPIO3, the following registers must be set upon initialization:

- Register 21[2] = 0 (default is 1)
- Register 63 = 0x03 (default is 0xC3)
- Register 65 = 0x14 (default is 0x95)

To use GPIO3 as a normal GPIO, disconnect the calibration resistor from GPIO3 by setting Register 13[6] CAL\_RES\_ENB =1 and set the GPIO CONFIG to desired setting. For using GPIO3 as a regular GPIO, the above registers still must be set.

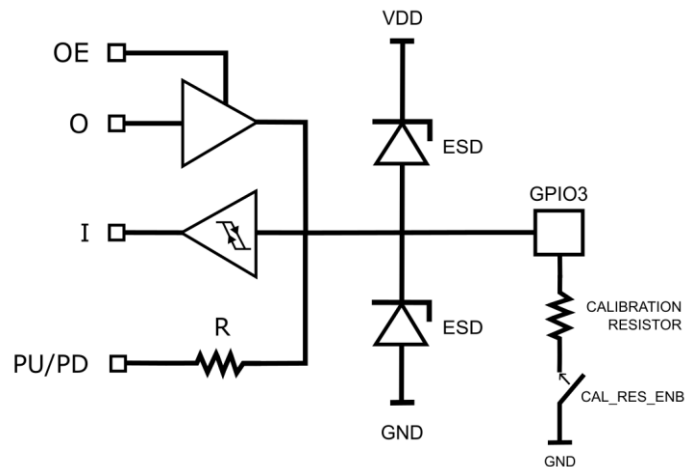


Figure 18 - GPIO3 Digital I/O with Calibration Resistor



## Absolute Maximum Ratings

PARAMETER	RATING
Positive Supply Voltage <ul style="list-style-type: none"> <li>• AVCC_L</li> <li>• AVCC_R</li> <li>• AVDD</li> <li>• VCCA</li> <li>• DVDD</li> </ul>	<ul style="list-style-type: none"> <li>• +3.7V with respect to ground</li> <li>• +3.7V with respect to ground</li> <li>• +3.7V with respect to ground</li> <li>• +3.7V with respect to ground</li> <li>• +1.4V with respect to ground</li> </ul>
Storage Temperature	-65°C to +150°C
Operating Junction Temperature	+125°C
Voltage Range for Digital Input Pins	-0.3V to AVDD (nom) +0.3V
ESD Protection <ul style="list-style-type: none"> <li>Human Body Model (HBM)</li> <li>Charge Device Model (CDM)</li> </ul>	2kV 500V

Table 17 - Absolute Maximum Ratings

**WARNING:** Stresses beyond those listed under here may cause permanent damage to the device. These are stress ratings only and functional operation of the device at these or any other conditions beyond those indicated under Recommended Operating Conditions is not implied.

**WARNING:** Electrostatic Discharge (ESD) can damage this device. Proper procedures must be followed to avoid ESD when handling this device.

## I/O Electrical Characteristics

PARAMETER	SYMBOL	MINIMUM	MAXIMUM	UNIT
High-level input voltage	V <sub>IH</sub>	$(AVDD / 2) + 0.4$		V
Low-level input voltage	V <sub>IL</sub>		0.4	V
High-level output voltage	V <sub>OH</sub>	$AVDD - 0.2$		V
Low-level output voltage	V <sub>OL</sub>		0.2	V

Table 18 - I/O Electrical Characteristics



## Switching Characteristics

Parameter	Notes	Min.	Typ.	Max.	Unit
<b>MCLK<sup>1</sup></b>					
Frequency		6.144	-	49.152	MHz
Duty Cycle		45	-	55	%
<b>PCM Mode<sup>2</sup></b>					
WS Frequency (Word Select Clock)		8	-	MCLK/128	kHz
BCLK Frequency (Bit Clock)		(16*2*WS)	TDM_BIT_WIDTH)* (TDM_CH_NUM+1)*WS	MCLK	MHz
WS Frequency (Word Select Clock)	64FS Mode <sup>3</sup>	352.8	MCLK/64	768	kHz
BCLK Frequency (Bit Clock)		22.5792	MCLK	49.152	MHz
<b>TDM Mode</b>					
WS Frequency (Word Select Clock)	TDM4	8kHz	-	MCLK/128	kHz
	TDM8		-	MCLK/256	kHz
	TDM16		-	MCLK/512	kHz
	TDM32		-	MCLK/1024	kHz
BCLK Frequency (Bit Clock)		(16*2*WS)	(TDM_BIT_WIDTH)* (TDM_CH_NUM+1)*WS	MCLK	MHz
<b>DSD Mode</b>					
DSD Clock Frequency		2.8224	-	MCLK/2	MHz

Table 19 - Switching Characteristics

### Notes:

1. MCLK must be synchronous to the digital serial audio clock.
2. In hardware mode, only 32bit word widths are supported for both PCM and TDM.
3. 64FS mode is for 705.6/768kHz with 45.1584/49.152MHz or 352.8/384kHz with 22.5792/24.576MHz.



## Timing Characteristics

### Bit-Clock (BCLK) and Word-Select (WS) Timing

Test Conditions 1 (unless otherwise noted)

TA = 25°C, AVCC\_R = AVCC\_L = VCCA = AVDD = +3.3V, DVDD = +1.2V, fs = 48kHz, DAC enabled, 1kHz sine full scale.

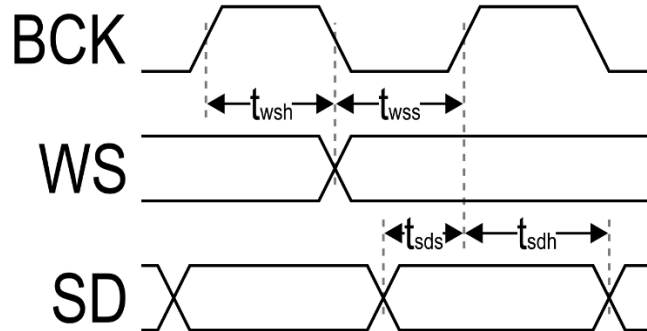


Figure 19 - Bit-Clock and Word-Select Timing

Parameter	Symbol	Min.	Typ.	Max.	Unit
WS hold time	$t_{wsh}$	-2	-	-	ns
WS setup time	$t_{wss}$	2.6	-	-	ns
SD hold time	$t_{sds}$	1.1	-	-	ns
SD setup time	$t_{sdh}$	2.8	-	-	ns

Table 20 - Bit-Clock and Word-Select Timing Definitions



## I<sup>2</sup>C Slave Interface Timing

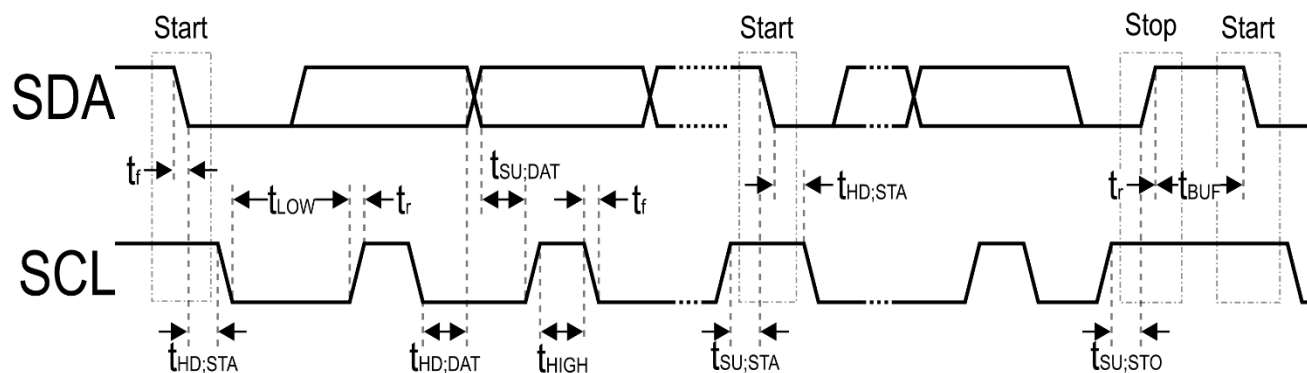


Figure 20 - I<sup>2</sup>C Slave Control Interface Timing

Parameter	Symbol	CLK Constraint	Standard-Mode		Fast-Mode		Unit
			MIN	MAX	MIN	MAX	
SCL Clock Frequency	$f_{SCL}$	$< CLK/20$	0	100	0	400	kHz
START condition hold time	$t_{HD,STA}$		4.0	-	0.6	-	$\mu s$
LOW period of SCL	$t_{LOW}$	$>10/CLK$	4.7	-	1.3	-	$\mu s$
HIGH period of SCL ( $>10/CLK$ )	$t_{HIGH}$	$>10/CLK$	4.0	-	0.6	-	$\mu s$
START condition setup time (repeat)	$t_{SU,STA}$		4.7	-	0.6	-	$\mu s$
SDA hold time from SCL falling - All except NACK read - NACK read only	$t_{HD,DAT}$		0 2/CLK	-	0 2/CLK	-	$\mu s$ s
SDA setup time from SCL rising	$t_{SU,DAT}$		250	-	100	-	ns
Rise time of SDA and SCL	$t_r$		-	1000	-	300	ns
Fall time of SDA and SCL	$t_f$		-	300	-	300	ns
STOP condition setup time	$t_{SU,STO}$		4	-	0.6	-	$\mu s$
Bus free time between transmissions	$t_{BUF}$		4.7	-	1.3	-	$\mu s$
Capacitive load for each bus line	$C_b$		-	400	-	400	pF

Table 21 - I<sup>2</sup>C Slave/Synchronous Slave Interface Timing Definitions

## SPI Slave Interface Timing

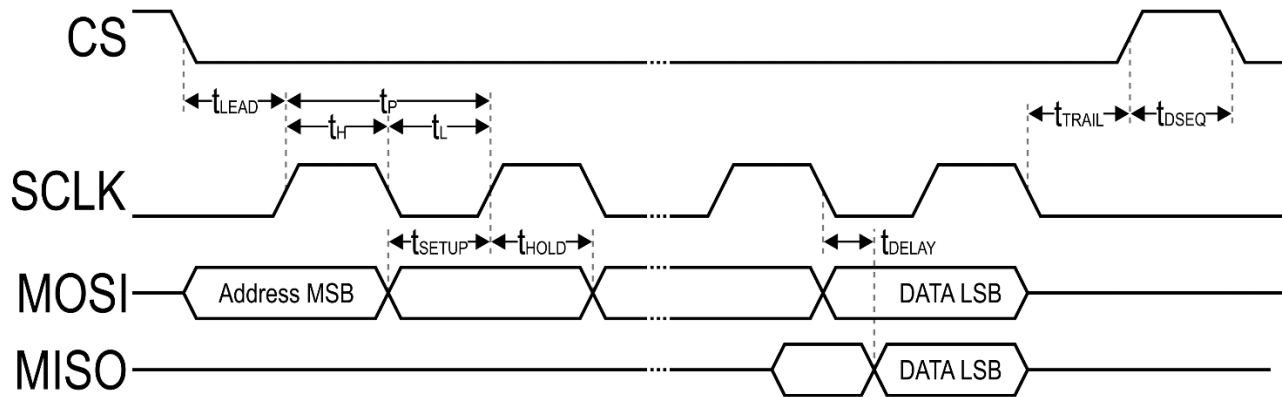


Figure 21 - SPI Slave Interface Timing

Parameter	Symbol	Min	Max	Unit
CS Lead Time (SCLK rising edge)	$t_{LEAD}$	4	-	ns
CS Trail Time (SCLK falling edge)	$t_{TRAIL}$	4	-	ns
MOSI Data Setup Time	$t_{SETUP\_MOSI}$	-36	-	ns
MOSI Data Hold Time	$t_{HOLD\_MOSI}$	60	-	ns
SCLK-MISO Delay Time	$t_{DELAY\_MISO}$	-	74	ns
SCLK Period	$t_{P\_SCLK}$	122	-	ns
SCLK High Pulse Duration	$t_{H\_SCLK}$	94	-	ns
SCLK Low Pulse Duration	$t_{L\_SCLK}$	60	-	ns
Sequential Transfer Delay	$t_{DSEQ}$	38	-	ns

Table 22 - SPI Slave Interface Timing Definitions



## Recommended Operating Conditions

These are the recommended operating conditions for the ES9017.

Parameter	Symbol	Conditions
Operating temperature	$T_A$	-20°C to +85°C
AVCC_L		3.3V
AVCC_R		3.3V
AVDD		3.3V
VCCA		3.3V
DVDD		1.2V

Table 23 - Recommended Operating Conditions



## Power Consumption

Test Conditions 1 (unless otherwise noted)

TA = 25°C, AVCC\_R = AVCC\_L = VCCA = AVDD = +3.3V, DVDD = +1.2V, fs = 48kHz, DAC enabled, 1kHz sine full scale.

Parameter	Min	Typ.	Max	Unit
<b>Hardware Mode: 11 (Slave mode with ACG (128*FS), MCLK = 49.152MHz)</b>				
AVCC_R		6.55		mA
AVCC_L		6.55		mA
VCCA		0.34		mA
AVDD		0.12		mA
DVDD		7.26		mA
Power Consumption		53.4		mW
<b>Hardware Mode: 2 (Master mode with MCLK = 24.576MHz, FS=MCLK/512)</b>				
AVCC_R		8.4		mA
AVCC_L		8.4		mA
VCCA		0.46		mA
AVDD		2.3		mA
DVDD		10.8		mA
Power Consumption		77.4		mW
<b>Hardware Mode: 1 (Master mode with MCLK = 12.288MHz, FS=MCLK/256)</b>				
AVCC_R		7.1		mA
AVCC_L		7.1		mA
VCCA		0.23		mA
AVDD		2.3		mA
DVDD		8.4		mA
Power Consumption		65.8		mW

Table 24 - Power Consumption with Test Condition 1



Test Conditions 2 (unless otherwise noted)

T<sub>A</sub> = 25°C, AVCC\_R = AVCC\_L = VCCA = AVDD = +3.3V, DVDD = +1.2V, fs = 48kHz, DAC enabled, streaming zeros.

Parameter	Min	Typ.	Max	Unit
<b>Hardware Mode: 11 (Slave mode with ACG (128*FS), MCLK = 49.152MHz)</b>				
AVCC_R		0.6		mA
AVCC_L		0.6		mA
VCCA		0.4		mA
AVDD		0.2		mA
DVDD		2.6		mA
Power Consumption		9.1		mW
<b>Hardware Mode: 2 (MCLK = 24.576MHz)</b>				
AVCC_R		2.3		mA
AVCC_L		2.3		mA
VCCA		0.5		mA
AVDD		2.4		mA
DVDD		5.2		mA
Power Consumption		31.0		mW
<b>Hardware Mode: 1 (MCLK = 12.288MHz)</b>				
AVCC_R		1.1		mA
AVCC_L		1.1		mA
VCCA		0.3		mA
AVDD		2.4		mA
DVDD		3.5		mA
Power Consumption		20.4		mW

Table 25 - Power Consumption with Test Condition 2

Note: Automute is enabled. With automute disabled, power consumption is similar to Test Condition 1 with a full scale input.

## ES9017 Product Datasheet



## Performance

Test Conditions 1 (unless otherwise noted)

$T_A = 25^\circ\text{C}$ ,  $AVCC\_R = AVCC\_L = VCCA = AVDD = +3.3\text{V}$ ,  $DVDD = +1.2\text{V}$ ,  $f_s = 48\text{kHz}$ , HW mode (I<sup>2</sup>S Master Mode)

Note: Performance numbers were measured using the ESS ES9017 1v1 evaluation board.

Parameter		Min	Typ.	Max	Unit
Resolution			32		Bit
Max MCLK frequency	Note: Synchronous clocks required			50	MHz
THD+N Ratio @ $f_s=48\text{kHz}$ (differential)	0dBFS BW=20Hz-20kHz		-110		dB
THD+N Ratio @ $f_s=96\text{kHz}$ (differential)	0dBFS BW=20Hz-40kHz		-108		dB
THD+N Ratio @ $f_s=192\text{kHz}$ (differential)	0dBFS BW=20Hz-80kHz		-106		dB
THD+N Ratio @ $f_s=384\text{kHz}$ (differential)	0dBFS BW=20Hz-160kHz		-104		dB
DNR (A-weighted) (8 ch mode – differential)	MCLK @ 49.152MHz	-60dBFS	120		dB
DNR (A-weighted) (Stereo mode – 4 ch sum diff)	MCLK @ 49.152MHz		124		dB
DNR (A-weighted) (Mono mode – 8 ch sum diff)	MCLK @ 49.152MHz		126		dB
Voltage output amplitude	Full-scale out		$0.879 \times AVCC$		V <sub>pp</sub>
Voltage output offset	Bipolar zero out		$AVCC/2$		V
Current output amplitude	Full-scale out		$1000 \times 0.879 \times AVCC / R_{dac}$		mApp
Current output offsets	Bipolar zero out		$1000 \times (AVCC/2 - V_g) / R_{dac}$		mA
Output impedance (Per + or – pin of each differential DAC output pair)	$R_{DAC}$		$1563 \pm 15\%$		$\Omega$

Table 26 - Performance Data



## Register Overview

A system clock must be present to access registers.

### Read/Write Register Addresses

Registers 0-65 (0x00 - 0x41) are read and write registers.

### Read-Only Register Addresses

Register 224-251 (0xE0 - 0xE9) are read only registers.

### Multi-Byte Registers

Multi-Byte registers must be written from LSB to MSB. Data is latched when MSB is written.

Multi-Byte registers must be read from LSB to MSB. Data is latched when LSB is read.

MSB is always stored in the highest register address.





# Register Map

Addr (Hex)	Addr (Dec)	Register	7	6	5	4	3	2	1	0	
0x00	0	SYSTEM CONFIG	SOFT_RESET	ENABLE_64FS_MODE	RESERVED	ENABLE_DOP_DECODE	ENABLE_DSD_DECODE	ENABLE_TDM_DECODE	DAC_MODE_REG	RESERVED	
0x01	1	SYS MODE CONFIG	RESERVED		ENABLE_DAC_CLK	ENABLE_NSMOD_CLK	RESERVED				
0x02	2	DAC CLOCK CONFIG	AUTO_FS_DETECT	SELECT_IDAC_HALF	SELECT_IDAC_NUM						
0x03	3	CLOCK CONFIG	MASTER_BCK_DIV								
0x04	4	CLK GEAR SELECT	RESERVED		SEL_CLK		RESERVED	AUTO_CLK_GEAR	RESERVED		
0x05-0x0B	5-12	RESERVED	RESERVED								
0x0C	13	DIGITAL AUTO CONTROL CONFIG	RESERVED	CAL_RES_ENB	RESERVED						
0x0D-0x0E	14-15	RESERVED	RESERVED								
0x10	16	GPIO1/2 CONFIG	GPIO2_CFG				GPIO1_CFG				
0x11	17	GPIO3/4 CONFIG	GPIO4_CFG				GPIO3_CFG				
0x12	18	GPIO5/6 CONFIG	GPIO6_CFG				GPIO5_CFG				
0x13	19	GPIO7/8 CONFIG	GPIO8_CFG				GPIO7_CFG				
0x14	20	GPIO OUTPUT ENABLE	GPIO8_OE	GPIO7_OE	GPIO6_OE	GPIO5_OE	GPIO4_OE	GPIO3_OE	GPIO2_OE	GPIO1_OE	
0x15	21	GPIO INPUT	GPIO8_SDB	GPIO7_SDB	GPIO6_SDB	GPIO5_SDB	GPIO4_SDB	GPIO3_SDB	GPIO2_SDB	GPIO1_SDB	
0x16	22	RESERVED	RESERVED								
0x17	23	GPIO OUTPUT LOGIC	GPIO_SEL		GPIO_OR_SS_RAMP	GPIO_OR_VOL_MIN	GPIO_OR_AUTOMUTE	GPIO_AND_SS_RAMP	GPIO_AND_VOL_MIN	GPIO_AND_AUTOMUTE	
			GPIO_DAC_MODE	RESERVED							GPIO_SEL
0x19	25	INPUT SELECTION	AUTO_CH_DETECT	ENABLE_DSD_FAULT_DETECT	DSD_MASTER_MODE	PCM_MASTER_MODE	RESERVED	INPUT_SEL		AUTO_INPUT_SEL	
0x1A	26	SERIAL MASTER ENCODER CONFIG	TDM_RESYNC	BCK_INV	RESERVED	MASTER_FRAME_LENGTH		MASTER_WS_PULSE_MODE	MASTER_WS_INVERT	MASTER_BCK_INVERT	
0x1B	27	TDM CONFIG	RESERVED				TDM_CH_NUM				
0x1C	28	TDM CONFIG1	TDM_LJ_MODE	TDM_VALID_EDGE	RESERVED						
0x1D	29	TDM CONFIG2	RESERVED	TDM_BIT_WIDTH			RESERVED				
0x1E	30	BCK/WS MONITOR CONFIG	DISABLE_DSD_DC	DISABLE_DSD_MUTE	ENABLE_WS_MONITOR	ENABLE_BCK_MONITOR	DISABLE_PCM_DC	RESERVED			
0x1F	31	RESERVED	RESERVED								
0x20	32	TDM CH1 CONFIG	RESERVED	TDM_CH1_LINE_SEL			TDM_CH1_SLOT_SEL				
0x21	33	TDM CH2 CONFIG	RESERVED	TDM_CH2_LINE_SEL			TDM_CH2_SLOT_SEL				
0x22	34	TDM CH3 CONFIG	RESERVED	TDM_CH3_LINE_SEL			TDM_CH3_SLOT_SEL				
0x23	35	TDM CH4 CONFIG	RESERVED	TDM_CH4_LINE_SEL			TDM_CH4_SLOT_SEL				
0x24	36	TDM CH5 CONFIG	RESERVED	TDM_CH5_LINE_SEL			TDM_CH5_SLOT_SEL				
0x25	37	TDM CH6 CONFIG	RESERVED	TDM_CH6_LINE_SEL			TDM_CH6_SLOT_SEL				
0x26	38	TDM CH7 CONFIG	RESERVED	TDM_CH7_LINE_SEL			TDM_CH7_SLOT_SEL				
0x27	39	TDM CH8 CONFIG	RESERVED	TDM_CH8_LINE_SEL			TDM_CH8_SLOT_SEL				
0x28	40	VOLUME1	VOLUME1								
0x29	41	VOLUME2	VOLUME2								
0x2A	42	VOLUME3	VOLUME3								
0x2B	43	VOLUME4	VOLUME4								
0x2C	44	VOLUME5	VOLUME5								
0x2D	45	VOLUME6	VOLUME6								
0x2E	46	VOLUME7	VOLUME7								
0x2F	47	VOLUME8	VOLUME8								
0x30	48	DAC VOL UP RATE	DAC_VOL_RATE_UP								
0x31	49	DAC VOL DOWN RATE	DAC_VOL_RATE_DOWN								
0x32	50	DAC VOL DOWN RATE FAST	DAC_VOL_RATE_FAST								
0x33	51	DAC MUTE	DAC_MUTE_CH8	DAC_MUTE_CH7	DAC_MUTE_CH6	DAC_MUTE_CH5	DAC_MUTE_CH4	DAC_MUTE_CH3	DAC_MUTE_CH2	DAC_MUTE_CH1	
0x34	52	DAC INVERT	DAC_INVERT_CH8	DAC_INVERT_CH7	DAC_INVERT_CH6	DAC_INVERT_CH5	DAC_INVERT_CH4	DAC_INVERT_CH3	DAC_INVERT_CH2	DAC_INVERT_CH1	
0x35	53	FILTER SHAPE	RESERVED						FILTER_SHAPE		
0x36	54	IIR BANDWIDTH	RESERVED				VOLUME_HOLD		IIR_BW		
0x37	55	DAC PATH CONFIG	RESERVED							BYPASS_FIR4X	BYPASS_FIR2X
0x38	56	AUTOMUTE ENABLE	AUTOMUTE_EN_CH8	AUTOMUTE_EN_CH7	AUTOMUTE_EN_CH6	AUTOMUTE_EN_CH5	AUTOMUTE_EN_CH4	AUTOMUTE_EN_CH3	AUTOMUTE_EN_CH2	AUTOMUTE_EN_CH1	
0x39	57	AUTOMUTE TIME	AUTOMUTE_TIME							AUTOMUTE_TIME	
0x3A	58		RESERVED				AUTOMUTE_RAMP_TO_GROUND	AUTOMUTE_TIME			
0x3B	59		AUTOMUTE_LEVEL								
0x3C	60		AUTOMUTE_LEVEL								
0x3D	61	AUTOMUTE OFF LEVEL	AUTOMUTE_OFF_LEVEL								
0x3E	62		AUTOMUTE_OFF_LEVEL								
0x3F	63	SOFT RAMP CONFIG	GPIO3_FUNC_OR	GPIO3_FUNC_SET1	RESERVED	SOFT_RAMP_TIME					
0x40	64	RESERVED	RESERVED								
0x41	65	GPIO3 FUNC and DITHER CONTROL	GPIO3_FUNC_SET2	RESERVED				DITHER_SETTING			
0xE0	224	SYS READ	RESERVED				MODES			ADDR1	ADDR0
0xE1	225	CHIP ID READ	CHIP_ID								



**ES9017 Product Datasheet**

0xE2-0xE4	226-228	RESERVED	RESERVED			
0xE5	229	RATIO VALID READ	RATIO_VALID	RESERVED		
0xE6	230	INPUT READBACK	RESERVED	TDM_DATA_VALID	DOP_VALID	INPUT_SELECT_OVERRIDE
0xE7-0xE9	231-233	RESERVED	RESERVED			

Table 27 - Register Map



## Register Listing

Some reserved registers values might be asserted in default mode. This is normal and does not need to be changed.

### System Registers

#### Register 0: SYSTEM CONFIG

Bits	[7]	[6]	[5]	[4]	[3]	[2]	[1]	[0]
Default	1'b0	1'b0	1'b0	2'b00	1'b0	1'b1	1'b0	1'b0

Bits	Mnemonic	Description
[7]	SOFT_RESET	Performs a soft reset to the digital core <ul style="list-style-type: none"> <li>1'b0: Normal operation</li> <li>1'b1: Reset digital core (all settings are set to default)</li> </ul>
[6]	ENABLE_64FS_MODE	Enables 64FS mode for 768k sample rate. <ul style="list-style-type: none"> <li>1'b0: 64FS mode disabled (default)</li> <li>1'b1: 64FS mode enabled</li> </ul> Note: This mode should be used for high sample rates (i.e., 705.6/768 kHz)
[5]	RESERVED	NA
[4]	ENABLE_DOP_DECODE	Enables DoP decoding. <ul style="list-style-type: none"> <li>1'b0: Disabled (default)</li> <li>1'b1: Enabled</li> </ul>
[3]	ENABLE_DSD_DECODE	Enables DSD decoding. <ul style="list-style-type: none"> <li>1'b0: Disabled (default)</li> <li>1'b1: Enabled</li> </ul>
[2]	ENABLE_TDM_DECODE	Enables TDM decoding. <ul style="list-style-type: none"> <li>1'b0: Disabled</li> <li>1'b1: Enabled (default)</li> </ul>
[1]	DAC_MODE_REG	Enables DAC data path <ul style="list-style-type: none"> <li>1'b0: DAC disabled</li> <li>1'b1: DAC enabled</li> </ul>
[0]	RESERVED	NA



## Register 1: SYS MODE CONFIG

Bits	[7:6]	[5]	[4]	[3:0]
Default	2'b00	1'b1	1'b1	4'b1000

Bits	Mnemonic	Description
[7:6]	RESERVED	NA
[5]	ENABLE_DAC_CLK	Enables DAC interpolation path clock. <ul style="list-style-type: none"> <li>1'b0: Clock disabled</li> <li>1'b1: Clock enabled (default)</li> </ul>
[4]	ENABLE_NSMOD_CLK	Enables clock to DAC
[3:0]	RESERVED	NA

## Register 2: DAC CLOCK CONFIG

Bits	[7]	[6]	[5:0]
Default	1'b1	1'b0	6'd0

Bits	Mnemonic	Description
[7]	AUTO_FS_DETECT	<ul style="list-style-type: none"> <li>1'b0: Disabled</li> <li>1'b1: Auto tune MCLK/CLK_IDAC ratio according to detected FS (default)</li> </ul>
[6]	SELECT_IDAC_HALF	<ul style="list-style-type: none"> <li>1'b0: Divide by SELECT_IDAC_NUM + 1 (default)</li> <li>1'b1: Divide by half of SELECT_IDAC_NUM + 1</li> </ul> Note: Can only produce half of an odd number divide
[5:0]	SELECT_IDAC_NUM	CLK_IDAC divider. Whole number divide value + 1 for CLK_IDAC (SYS_CLK/divide_value). <ul style="list-style-type: none"> <li>6'd0: Whole number divide value + 1 = 1</li> <li>6'd1: Whole number divide value + 1 = 2</li> <li>6'd63: Whole number divide value + 1 = 64</li> </ul>

## Register 3: CLOCK CONFIG

Bits	[7:0]
Default	8'd7

Bits	Mnemonic	Description
[7:0]	MASTER_BCK_DIV	Master mode clock divider. Whole number divide value + 1 for CLK_Master (SYS_CLK/divide_value).

## ES9017 Product Datasheet



## Register 4: CLK GEAR SELECT

Bits	[7:6]	[5:4]	[3]	[2]	[1:0]
Default	2'b00	2'd0	1'b0	1'b0	2'b00

Bits	Mnemonic	Description
[7:6]	RESERVED	NA
[5:4]	SEL_CLK	Clock Gearing <ul style="list-style-type: none"> <li>• 2'd0: SYS_CLK/1</li> <li>• 2'd1: SYS_CLK/2</li> <li>• 2'd2: SYS_CLK/4</li> <li>• 2'd3: SYS_CLK/8</li> </ul>
[3]	RESERVED	NA
[2]	AUTO_CLK_GEAR	<ul style="list-style-type: none"> <li>• 1'b0: Disable automatic clock gearing. SEL_CLK = sel_clk_reg</li> <li>• 1'b1: Enable automatic clock gearing. SEL_CLK will increase up to sel_clk_reg</li> </ul>
[1:0]	RESERVED	NA

## Register 12-5: RESERVED

## Register 13: DIGITAL AUTO CONTROL CONFIG

Bits	[7]	[6]	[5:0]
Default	1'b1	1'b0	6'd0

Bits	Mnemonic	Description
[7]	RESERVED	NA
[6]	CAL_RES_ENB	Selects the calibration resistor connection on GPIO3 <ul style="list-style-type: none"> <li>• 1'b0: DAC calibration resistor enabled (default)</li> <li>• 1'b1: DAC calibration resistor disabled</li> </ul>
[5:0]	RESERVED	NA

## Register 14-15: RESERVED



## GPIO Registers

### Register 16: GPIO1/2 CONFIG

Bits	[7:4]	[3:0]
Default	4'd0	4'd13

Bits	Mnemonic	Description
[7:4]	GPIO2_CFG	Configures GPIO2 <ul style="list-style-type: none"> <li>• 4'd0: Analog shutdown — shutdown (default)</li> <li>• 4'd1: Output 0 — output</li> <li>• 4'd2: Output 1 — output</li> <li>• 4'd3: CLK_IDAC — output</li> <li>• 4'd4: Reserved</li> <li>• 4'd5: Mute all channels — input</li> <li>• 4'd6: Input selection — input</li> <li>• 4'd7: Reserved</li> <li>• 4'd8: CLKEN_1FS — output</li> <li>• 4'd9: TDM_VALID — output</li> <li>• 4'd10: DOP_VALID — output</li> <li>• 4'd11: BCK_WS_FAIL — output</li> <li>• 4'd12: Minimum Volume — output</li> <li>• 4'd13: Automute Status — output</li> <li>• 4'd14: Soft Ramp Finished — output</li> <li>• 4'd15: Reserved</li> </ul>
[3:0]	GPIO1_CFG	Configures GPIO1 <ul style="list-style-type: none"> <li>• 4'd0: Analog shutdown — shutdown</li> <li>• 4'd1: Output 0 — output</li> <li>• 4'd2: Output 1 — output</li> <li>• 4'd3: CLK_IDAC — output</li> <li>• 4'd4: Reserved</li> <li>• 4'd5: Mute all channels — input</li> <li>• 4'd6: Input selection — input</li> <li>• 4'd7: Reserved</li> <li>• 4'd8: CLKEN_1FS — output</li> <li>• 4'd9: TDM_VALID — output</li> <li>• 4'd10: DOP_VALID — output</li> <li>• 4'd11: BCK_WS_FAIL — output</li> <li>• 4'd12: Minimum Volume — output</li> <li>• 4'd13: Automute Status — output (default)</li> <li>• 4'd14: Soft Ramp Finished — output</li> <li>• 4'd15: Reserved</li> </ul>

## ES9017 Product Datasheet



## Register 17: GPIO3/4 CONFIG

<b>Bits</b>	<b>[7:4]</b>	<b>[3:0]</b>
<b>Default</b>	4'd0	4'd0

Bits	Mnemonic	Description
[7:4]	GPIO4_CFG	Configures GPIO4 <ul style="list-style-type: none"> <li>• 4'd0: Analog shutdown — shutdown (default)</li> <li>• 4'd1: Output 0 — output</li> <li>• 4'd2: Output 1 — output</li> <li>• 4'd3: CLK_IDAC — output</li> <li>• 4'd4: Reserved</li> <li>• 4'd5: Mute all channels — input</li> <li>• 4'd6: Input selection — input</li> <li>• 4'd7: Reserved</li> <li>• 4'd8: CLKEN_1FS — output</li> <li>• 4'd9: TDM_VALID — output</li> <li>• 4'd10: DOP_VALID — output</li> <li>• 4'd11: BCK_WS_FAIL — output</li> <li>• 4'd12: Minimum Volume — output</li> <li>• 4'd13: Automute Status — output</li> <li>• 4'd14: Soft Ramp Finished — output</li> <li>• 4'd15: Reserved</li> </ul>
[3:0]	GPIO3_CFG	Configures GPIO3 <ul style="list-style-type: none"> <li>• 4'd0: Analog shutdown — shutdown (default)</li> <li>• 4'd1: Output 0 — output</li> <li>• 4'd2: Output 1 — output</li> <li>• 4'd3: CLK_IDAC — output</li> <li>• 4'd4: Reserved</li> <li>• 4'd5: Mute all channels — input</li> <li>• 4'd6: Input selection — input</li> <li>• 4'd7: Reserved</li> <li>• 4'd8: CLKEN_1FS — output</li> <li>• 4'd9: TDM_VALID — output</li> <li>• 4'd10: DOP_VALID — output</li> <li>• 4'd11: BCK_WS_FAIL — output</li> <li>• 4'd12: Minimum Volume — output</li> <li>• 4'd13: Automute Status — output</li> <li>• 4'd14: Soft Ramp Finished — output</li> <li>• 4'd15: Reserved</li> </ul>



## Register 18: GPIO5/6 CONFIG

<b>Bits</b>	<b>[7:4]</b>	<b>[3:0]</b>
<b>Default</b>	4'd0	4'd0

Bits	Mnemonic	Description
[7:4]	GPIO6_CFG	Configures GPIO6 <ul style="list-style-type: none"> <li>• 4'd0: Analog shutdown — shutdown (default)</li> <li>• 4'd1: Output 0 — output</li> <li>• 4'd2: Output 1 — output</li> <li>• 4'd3: CLK_IDAC — output</li> <li>• 4'd4: Reserved</li> <li>• 4'd5: Mute all channels — input</li> <li>• 4'd6: Input selection — input</li> <li>• 4'd7: Reserved</li> <li>• 4'd8: CLKEN_1FS — output</li> <li>• 4'd9: TDM_VALID — output</li> <li>• 4'd10: DOP_VALID — output</li> <li>• 4'd11: BCK_WS_FAIL — output</li> <li>• 4'd12: Minimum Volume — output</li> <li>• 4'd13: Automute Status — output</li> <li>• 4'd14: Soft Ramp Finished — output</li> <li>• 4'd15: Reserved</li> </ul>
[3:0]	GPIO5_CFG	Configures GPIO5 <ul style="list-style-type: none"> <li>• 4'd0: Analog shutdown — shutdown (default)</li> <li>• 4'd1: Output 0 — output</li> <li>• 4'd2: Output 1 — output</li> <li>• 4'd3: CLK_IDAC — output</li> <li>• 4'd4: Reserved</li> <li>• 4'd5: Mute all channels — input</li> <li>• 4'd6: Input selection — input</li> <li>• 4'd7: Reserved</li> <li>• 4'd8: CLKEN_1FS — output</li> <li>• 4'd9: TDM_VALID — output</li> <li>• 4'd10: DOP_VALID — output</li> <li>• 4'd11: BCK_WS_FAIL — output</li> <li>• 4'd12: Minimum Volume — output</li> <li>• 4'd13: Automute Status — output</li> <li>• 4'd14: Soft Ramp Finished — output</li> <li>• 4'd15: Reserved</li> </ul>



## ES9017 Product Datasheet



## Register 19: GPIO7/8 CONFIG

<b>Bits</b>	<b>[7:4]</b>	<b>[3:0]</b>
<b>Default</b>	4'd0	4'd0

Bits	Mnemonic	Description
[7:4]	GPIO8_CFG	Configures GPIO8 <ul style="list-style-type: none"> <li>• 4'd0: Analog shutdown — shutdown (default)</li> <li>• 4'd1: Output 0 — output</li> <li>• 4'd2: Output 1 — output</li> <li>• 4'd3: CLK_IDAC — output</li> <li>• 4'd4: Reserved</li> <li>• 4'd5: Mute all channels — input</li> <li>• 4'd6: Input selection — input</li> <li>• 4'd7: Reserved</li> <li>• 4'd8: CLKEN_1FS — output</li> <li>• 4'd9: TDM_VALID — output</li> <li>• 4'd10: DOP_VALID — output</li> <li>• 4'd11: BCK_WS_FAIL — output</li> <li>• 4'd12: Minimum Volume — output</li> <li>• 4'd13: Automute Status — output</li> <li>• 4'd14: Soft Ramp Finished — output</li> <li>• 4'd15: Reserved</li> </ul>
[3:0]	GPIO7_CFG	Configures GPIO7 <ul style="list-style-type: none"> <li>• 4'd0: Analog shutdown — shutdown (default)</li> <li>• 4'd1: Output 0 — output</li> <li>• 4'd2: Output 1 — output</li> <li>• 4'd3: CLK_IDAC — output</li> <li>• 4'd4: Reserved</li> <li>• 4'd5: Mute all channels — input</li> <li>• 4'd6: Input selection — input</li> <li>• 4'd7: Reserved</li> <li>• 4'd8: CLKEN_1FS — output</li> <li>• 4'd9: TDM_VALID — output</li> <li>• 4'd10: DOP_VALID — output</li> <li>• 4'd11: BCK_WS_FAIL — output</li> <li>• 4'd12: Minimum Volume — output</li> <li>• 4'd13: Automute Status — output</li> <li>• 4'd14: Soft Ramp Finished — output</li> <li>• 4'd15: Reserved</li> </ul>



## Register 20: GPIO OUTPUT ENABLE

Bits	[7]	[6]	[5]	[4]	[3]	[2]	[1]	[0]
Default	1'b0	1'b0	1'b0	1'b0	1'b0	1'b0	1'b0	1'b1

Bits	Mnemonic	Description
[7]	GPIO8_OE	GPIO8 output control. <ul style="list-style-type: none"> <li>1'b0: Tristate GPIO8 (default)</li> <li>1'b1: GPIO8 Output Enable</li> </ul>
[6]	GPIO7_OE	GPIO7 output control. <ul style="list-style-type: none"> <li>1'b0: Tristate GPIO7 (default)</li> <li>1'b1: GPIO7 Output Enable</li> </ul>
[5]	GPIO6_OE	GPIO6 output control. <ul style="list-style-type: none"> <li>1'b0: Tristate GPIO6 (default)</li> <li>1'b1: GPIO6 Output Enable</li> </ul>
[4]	GPIO5_OE	GPIO5 output control. <ul style="list-style-type: none"> <li>1'b0: Tristate GPIO5 (default)</li> <li>1'b1: GPIO5 Output Enable</li> </ul>
[3]	GPIO4_OE	GPIO4 output control. <ul style="list-style-type: none"> <li>1'b0: Tristate GPIO4 (default)</li> <li>1'b1: GPIO4 Output Enable</li> </ul>
[2]	GPIO3_OE	GPIO3 output control. <ul style="list-style-type: none"> <li>1'b0: Tristate GPIO3 (default)</li> <li>1'b1: GPIO3 Output Enable</li> </ul>
[1]	GPIO2_OE	GPIO2 output control. <ul style="list-style-type: none"> <li>1'b0: Tristate GPIO2 (default)</li> <li>1'b1: GPIO2 Output Enable</li> </ul>
[0]	GPIO1_OE	GPIO1 output control. <ul style="list-style-type: none"> <li>1'b0: Tristate GPIO1</li> <li>1'b1: GPIO1 Output Enable (default)</li> </ul>

## ES9017 Product Datasheet



## Register 21: GPIO INPUT

Bits	[7]	[6]	[5]	[4]	[3]	[2]	[1]	[0]
Default	1'b0	1'b0	1'b0	1'b1	1'b1	1'b1	1'b0	1'b0

Bits	Mnemonic	Description
[7]	GPIO8_SDB	GPIO8 input control. <ul style="list-style-type: none"> <li>1'b0: Disables GPIO8 input (default)</li> <li>1'b1: Enables GPIO8 input</li> </ul>
[6]	GPIO7_SDB	GPIO7 input control. <ul style="list-style-type: none"> <li>1'b0: Disables GPIO7 input (default)</li> <li>1'b1: Enables GPIO7 input</li> </ul>
[5]	GPIO6_SDB	GPIO6 input control. <ul style="list-style-type: none"> <li>1'b0: Disables GPIO6 input (default)</li> <li>1'b1: Enables GPIO6 input</li> </ul>
[4]	GPIO5_SDB	GPIO5 input control. <ul style="list-style-type: none"> <li>1'b0: Disables GPIO5 input</li> <li>1'b1: Enables GPIO5 input (default)</li> </ul>
[3]	GPIO4_SDB	GPIO4 input control. <ul style="list-style-type: none"> <li>1'b0: Disables GPIO4 input</li> <li>1'b1: Enables GPIO4 input (default)</li> </ul>
[2]	GPIO3_SDB	GPIO3 input control. <ul style="list-style-type: none"> <li>1'b0: Disables GPIO3 input</li> <li>1'b1: Enables GPIO3 input (default)</li> </ul>
[1]	GPIO2_SDB	GPIO2 input control. <ul style="list-style-type: none"> <li>1'b0: Disables GPIO2 input (default)</li> <li>1'b1: Enables GPIO2 input</li> </ul>
[0]	GPIO1_SDB	GPIO1 input control. <ul style="list-style-type: none"> <li>1'b0: Disables GPIO1 input (default)</li> <li>1'b1: Enables GPIO1 input</li> </ul>

## Register 22: RESERVED



## Register 24-23: GPIO OUTPUT LOGIC

Bits	[15]	[14:9]	[8:6]	[5]	[4]	[3]	[2]	[1]	[0]
Default	1'b0	6'd0	3'd0	1'b0	1'b0	1'b0	1'b1	1'b1	1'b1

Bits	Mnemonic	Description
[15]	GPIO_DAC_MODE	When any GPIOx_CFG = 6 (input system mode control): <ul style="list-style-type: none"> <li>1'b0: Power down when GPIO input is 1</li> <li>1'b1: HIFI when GPIO input is 1 (when GPIO input is 0, system mode is determined by register DAC_MODE_REG (register 0, bit[1]))</li> </ul>
[14:9]	RESERVED	NA
[8:6]	GPIO_SEL	When GPIOx_CFG = 12, 13 or 14, and the corresponding GPIO_AND and GPIO_OR are not set: <ul style="list-style-type: none"> <li>3'd0: Outputs status/flag from ch1</li> <li>3'd1: Outputs status/flag from ch2</li> <li>3'd2: Outputs status/flag from ch3</li> <li>3'd3: Outputs status/flag from ch4</li> <li>3'd4: Outputs status/flag from ch5</li> <li>3'd5: Outputs status/flag from ch6</li> <li>3'd6: Outputs status/flag from ch7</li> <li>3'd7: Outputs status/flag from ch8</li> </ul>
[5]	GPIO_OR_SS_RAMP	When GPIOx_CFG = 14 (Soft Ramp Finished flag): <ul style="list-style-type: none"> <li>1'b0: The Soft ramp Finished flag is determined by GPIO_AND_SS_RAMP and GPIO_SEL (default)</li> <li>1'b1: The Soft Ramp Finished flag is the "OR" of all 8ch Soft Ramp Finished flags</li> </ul>
[4]	GPIO_OR_VOL_MIN	When GPIOx_CFG = 12 (Minimum Volume flag): <ul style="list-style-type: none"> <li>1'b0: The Minimum Volume flag is determined by GPIO_AND_VOL_MIN and GPIO_SEL (default)</li> <li>1'b1: The Minimum Volume flag is the "OR" of all 8ch Minimum Volume flags</li> </ul>
[3]	GPIO_OR_AUTOMUTE	When GPIOx_CFG = 13 (Automute Status): <ul style="list-style-type: none"> <li>1'b0: The Automute Status is determined by GPIO_AND_AUTOMUTE and GPIO_SEL (default)</li> <li>1'b1: The Automute Status is the "OR" of all 8ch Automute Status</li> </ul>
[2]	GPIO_AND_SS_RAMP	When GPIOx_CFG = 14 (Soft Ramp Finished flag) and GPIO_OR_SS_RAMP is not set: <ul style="list-style-type: none"> <li>1'b0: The Soft Ramp Finished flag is from a single channel selected by GPIO_SEL</li> <li>1'b1: The Soft Ramp Finished flag is the "AND" of all 8ch Soft Ramp Finished flags (default)</li> </ul>

## ES9017 Product Datasheet



[1]	GPIO_AND_VOL_MIN	<p>When GPIOx_CFG = 12 (Minimum Volume flag) and GPIO_OR_VOL_MIN is not set:</p> <ul style="list-style-type: none"> <li>• 1'b0: The Minimum Volume flag is from a single channel selected by GPIO_SEL</li> <li>• 1'b1: The Minimum Volume flag is the "AND" of all 8ch Minimum Volume flags (default)</li> </ul>
[0]	GPIO_AND_AUTOMUTE	<p>When GPIOx_CFG = 13 (Automute Status) and GPIO_OR_AUTOMUTE is not set:</p> <ul style="list-style-type: none"> <li>• 1'b0: The Automute Status is from a single channel selected by GPIO_SEL</li> <li>• 1'b1: The Automute Status is the "AND" of all 8ch Automute Status (default)</li> </ul>



## DAC Registers

### Register 25: INPUT SELECTION

Bits	[7]	[6]	[5]	[4]	[3]	[2:1]	[0]
Default	1'b0	1'b1	1'b0	1'b0	1'b0	2'd0	1'b0

Bits	Mnemonic	Description
[7]	AUTO_CH_DETECT	Auto detect BCK/FRAME ratio to determine the number of TDM channels <ul style="list-style-type: none"> <li>1'b0: Disabled (default)</li> <li>1'b1: Enabled</li> </ul>
[6]	ENABLE_DSD_FAULT_DETECT	<ul style="list-style-type: none"> <li>1'b0: Disabled</li> <li>1'b1: Enabled (default)</li> </ul>
[5]	DSD_MASTER_MODE	DSD master mode config. <ul style="list-style-type: none"> <li>1'b0: DSD slave mode (default)</li> <li>1'b1: DSD master mode. DSD_CLK outputs from DATA_CLK</li> </ul>
[4]	PCM_MASTER_MODE	PCM master mode config. <ul style="list-style-type: none"> <li>1'b0: PCM slave mode (default)</li> <li>1'b1: PCM master mode enabled. Master BCK and WS output from DATA_CLK and DATA1</li> </ul>
[3]	RESERVED	NA
[2:1]	INPUT_SEL	Selects input data when AUTO_INPUT_SELECT is disabled. <ul style="list-style-type: none"> <li>2'd0: TDM (default)</li> <li>2'd1: DSD</li> <li>2'd2: DoP</li> <li>2'd3: Reserved</li> </ul>
[0]	AUTO_INPUT_SEL	Automatic input data selection config. <ul style="list-style-type: none"> <li>1'b0: Disables auto input select. Input data format is set by INPUT_SEL (default)</li> <li>1'b1: Automatically determine the input data format.</li> </ul>



## Register 26: SERIAL MASTER ENCODER CONFIG

Bits	[7]	[6]	[5]	[4:3]	[2]	[1]	[0]
Default	1'b0	1'b0	1'b0	2'd0	1'b0	1'b0	1'b1

Bits	Mnemonic	Description
[7]	TDM_RESYNC	Force TDM decoder to resync. <ul style="list-style-type: none"> <li>1'b0: Let decoder sync (default)</li> <li>1'b1: Force decoder not sync</li> </ul>
[6]	BCK_INV	Invert the slave BCK <ul style="list-style-type: none"> <li>1'b0: Normal operation</li> <li>1'b1: Invert slave BCK</li> </ul>
[5]	RESERVED	NA
[4:3]	MASTER_FRAME_LENGTH	Selects the bit length in each TDM channel in master mode. <ul style="list-style-type: none"> <li>2'd0: 32-bit (default)</li> <li>2'd1: 24-bit</li> <li>2'd2: 16-bit</li> <li>2'd3: Reserved</li> </ul>
[2]	MASTER_WS_PULSE_MODE	When enabled, master WS is a pulse signal instead of a 50% duty cycle signal. The pulse width is 1 BCK cycle. <ul style="list-style-type: none"> <li>1'b0: 50% duty cycle WS signal (default)</li> <li>1'b1: Pulse WS signal</li> </ul>
[1]	MASTER_WS_INVERT	Inverts master WS. <ul style="list-style-type: none"> <li>1'b0: Non-inverted (default)</li> <li>1'b1: Inverted</li> </ul>
[0]	MASTER_BCK_INVERT	Inverts master BCK or DSD_CLK. <ul style="list-style-type: none"> <li>1'b0: Non-inverted</li> <li>1'b1: Inverted (default)</li> </ul>

## Register 27: TDM CONFIG

Bits	[7:5]	[4:0]
Default	3'd0	5'd1

Bits	Mnemonic	Description
[7:5]	RESERVED	NA
[4:0]	TDM_CH_NUM	Total number of TDM slots per frame = TDM_CH_NUM + 1.



## Register 28: TDM CONFIG1

Bits	[7]	[6]	[5:0]
Default	1'b0	1'b0	6'd0

Bits	Mnemonic	Description
[7]	TDM_LJ_MODE	TDM LJ mode. <ul style="list-style-type: none"> <li>1'b0: Standard I2S (default)</li> <li>1'b1: LJ mode</li> </ul>
[6]	TDM_VALID_EDGE	TDM WS valid edge. <ul style="list-style-type: none"> <li>1'b0: negative edge (default)</li> <li>1'b1: positive edge</li> </ul>
[5:0]	RESERVED	NA

## Register 29: TDM CONFIG2

Bits	[7]	[6:5]	[4:0]
Default	1'b0	2'b00	5'd0

Bits	Mnemonic	Description
[7]	RESERVED	NA
[6:5]	TDM_BIT_WIDTH	Bit width of each TDM slot. <ul style="list-style-type: none"> <li>2'b00: 32-bit (default)</li> <li>2'b01: 24-bit</li> <li>2'b10: 16-bit</li> <li>2'b11: Reserved</li> </ul>
[4:0]	RESERVED	NA



## ES9017 Product Datasheet



## Register 30: BCK/WS MONITOR CONFIG

Bits	[7]	[6]	[5]	[4]	[3]	[2:0]
Default	1'b0	1'b0	1'b1	1'b1	1'b0	3'd0

Bits	Mnemonic	Description
[7]	DISABLE_DSD_DC	<ul style="list-style-type: none"> <li>1'b0: DSD DC can trigger an automute if automute is enabled (default)</li> <li>1'b1: DSD DC is ignored.</li> </ul>
[6]	DISABLE_DSD_MUTE	<ul style="list-style-type: none"> <li>1'b0: DSD mute pattern can trigger an automute is automute is enabled (default)</li> <li>1'b1: DSD mute pattern is ignored.</li> </ul>
[5]	ENABLE_WS_MONITOR	Enable WS monitor. <ul style="list-style-type: none"> <li>1'b0: Disable</li> <li>1'b1: Enable (default)</li> </ul>
[4]	ENABLE_BCK_MONITOR	Enable BCK monitor. <ul style="list-style-type: none"> <li>1'b0: Disable (default)</li> <li>1'b1: Enable</li> </ul>
[3]	DISABLE_PCM_DC	<ul style="list-style-type: none"> <li>1'b0: PCM DC signal can trigger an automute if automute is enabled.</li> <li>1'b1: PCM DC is ignored.</li> </ul>
[2:0]	RESERVED	NA

## Register 31: RESERVED

## Register 32: TDM CH1 CONFIG

Bits	[7]	[6:5]	[4:0]
Default	1'b0	2'd0	5'd0

Bits	Mnemonic	Description
[7]	RESERVED	NA
[6:5]	TDM_CH1_LINE_SEL	CH1 data line selection, only valid for TDM, PCM and DoP. CH1 receives data from: <ul style="list-style-type: none"> <li>2'd0: DATA2 (default)</li> <li>2'd1: DATA3</li> <li>2'd2: DATA4/GPIO4</li> <li>2'd3: DATA5/GPIO5</li> </ul>
[4:0]	TDM_CH1_SLOT_SEL	CH1 data slot selection. CH1 receives data from the selected slot. Selected Slot = TDM_CH1_SLOT_SEL + 1. Note: Valid for TDM, PCM and DoP.



## Register 33: TDM CH2 CONFIG

Bits	[7]	[6:5]	[4:0]
Default	1'b0	2'd0	5'd1

Bits	Mnemonic	Description
[7]	RESERVED	NA
[6:5]	TDM_CH2_LINE_SEL	CH2 data line selection, only valid for TDM, PCM and DoP. CH2 receives data from: <ul style="list-style-type: none"> <li>• 2'd0: DATA2 (default)</li> <li>• 2'd1: DATA3</li> <li>• 2'd2: DATA4/GPIO4</li> <li>• 2'd3: DATA5/GPIO5</li> </ul>
[4:0]	TDM_CH2_SLOT_SEL	CH2 data slot selection. CH2 receives data from the selected slot. Selected Slot = TDM_CH2_SLOT_SEL + 1. Note: Valid for TDM, PCM and DoP.

## Register 34: TDM CH3 CONFIG

Bits	[7]	[6:5]	[4:0]
Default	1'b0	2'd1	5'd0

Bits	Mnemonic	Description
[7]	RESERVED	NA
[6:5]	TDM_CH3_LINE_SEL	CH3 data line selection, only valid for TDM, PCM and DoP. CH3 receives data from: <ul style="list-style-type: none"> <li>• 2'd0: DATA2</li> <li>• 2'd1: DATA3 (default)</li> <li>• 2'd2: DATA4/GPIO4</li> <li>• 2'd3: DATA5/GPIO5</li> </ul>
[4:0]	TDM_CH3_SLOT_SEL	CH3 data slot selection. CH3 receives data from the selected slot. Selected Slot = TDM_CH3_SLOT_SEL + 1. Note: Valid for TDM, PCM and DoP.

## ES9017 Product Datasheet



## Register 35: TDM CH4 CONFIG

Bits	[7]	[6:5]	[4:0]
Default	1'b0	2'd1	5'd1

Bits	Mnemonic	Description
[7]	RESERVED	NA
[6:5]	TDM_CH4_LINE_SEL	CH4 data line selection, only valid for TDM, PCM and DoP. CH4 receives data from: <ul style="list-style-type: none"> <li>• 2'd0: DATA2</li> <li>• 2'd1: DATA3 (default)</li> <li>• 2'd2: DATA4/GPIO4</li> <li>• 2'd3: DATA5/GPIO5</li> </ul>
[4:0]	TDM_CH4_SLOT_SEL	CH4 data slot selection. CH4 receives data from the selected slot. Selected Slot = TDM_CH4_SLOT_SEL + 1. Note: Valid for TDM, PCM and DoP.

## Register 36: TDM CH5 CONFIG

Bits	[7]	[6:5]	[4:0]
Default	1'b0	2'd2	5'd0

Bits	Mnemonic	Description
[7]	RESERVED	NA
[6:5]	TDM_CH5_LINE_SEL	CH5 data line selection, only valid for TDM, PCM and DoP. CH5 receives data from: <ul style="list-style-type: none"> <li>• 2'd0: DATA2</li> <li>• 2'd1: DATA3</li> <li>• 2'd2: DATA4/GPIO4 (default)</li> <li>• 2'd3: DATA5/GPIO5</li> </ul>
[4:0]	TDM_CH5_SLOT_SEL	CH5 data slot selection. CH5 receives data from the selected slot. Selected Slot = TDM_CH5_SLOT_SEL + 1. Note: Valid for TDM, PCM and DoP.



## Register 37: TDM CH6 CONFIG

Bits	[7]	[6:5]	[4:0]
Default	1'b0	2'd2	5'd1

Bits	Mnemonic	Description
[7]	RESERVED	NA
[6:5]	TDM_CH6_LINE_SEL	CH6 data line selection, only valid for TDM, PCM and DoP. CH6 receives data from: <ul style="list-style-type: none"> <li>• 2'd0: DATA2</li> <li>• 2'd1: DATA3</li> <li>• 2'd2: DATA4/GPIO4 (default)</li> <li>• 2'd3: DATA5/GPIO5</li> </ul>
[4:0]	TDM_CH6_SLOT_SEL	CH6 data slot selection. CH6 receives data from the selected slot. Selected Slot = TDM_CH6_SLOT_SEL + 1. Note: Valid for TDM, PCM and DoP.

## Register 38: TDM CH7 CONFIG

Bits	[7]	[6:5]	[4:0]
Default	1'b0	2'd3	5'd0

Bits	Mnemonic	Description
[7]	RESERVED	NA
[6:5]	TDM_CH7_LINE_SEL	CH7 data line selection, only valid for TDM, PCM and DoP. CH7 receives data from: <ul style="list-style-type: none"> <li>• 2'd0: DATA2</li> <li>• 2'd1: DATA3</li> <li>• 2'd2: DATA4/GPIO4</li> <li>• 2'd3: DATA5/GPIO5 (default)</li> </ul>
[4:0]	TDM_CH7_SLOT_SEL	CH7 data slot selection. CH7 receives data from the selected slot. Selected Slot = TDM_CH7_SLOT_SEL + 1. Note: Valid for TDM, PCM and DoP.

## ES9017 Product Datasheet



## Register 39: TDM CH8 CONFIG

Bits	[7]	[6:5]	[4:0]
Default	1'b0	2'd3	5'd1

Bits	Mnemonic	Description
[7]	RESERVED	NA
[6:5]	TDM_CH8_LINE_SEL	CH8 data line selection, only valid for TDM, PCM and DoP. CH8 receives data from: <ul style="list-style-type: none"> <li>• 2'd0: DATA2</li> <li>• 2'd1: DATA3</li> <li>• 2'd2: DATA4/GPIO4</li> <li>• 2'd3: DATA5/GPIO5 (default)</li> </ul>
[4:0]	TDM_CH8_SLOT_SEL	CH8 data slot selection. CH8 receives data from the selected slot. Selected Slot = TDM_CH8_SLOT_SEL + 1. Note: Valid for TDM, PCM and DoP.

## Register 40: VOLUME1

Bits	[7:0]
Default	8'd0

Bits	Mnemonic	Description
[7:0]	VOLUME1	DAC ch1 volume. -0dB to -127.5dB 0.5dB steps. <ul style="list-style-type: none"> <li>• 8'd0: 0dB</li> <li>• 8'd255: -127.5dB</li> </ul>

## Register 41: VOLUME2

Bits	[7:0]
Default	8'd0

Bits	Mnemonic	Description
[7:0]	VOLUME2	DAC ch2 volume. -0dB to -127.5dB 0.5dB steps. <ul style="list-style-type: none"> <li>• 8'd0: 0dB</li> <li>• 8'd255: -127.5dB</li> </ul>

**Register 42: VOLUME3**

<b>Bits</b>	[7:0]
<b>Default</b>	8'd0

Bits	Mnemonic	Description
[7:0]	VOLUME3	DAC ch3 volume. -0dB to -127.5dB 0.5dB steps. <ul style="list-style-type: none"> <li>8'd0: 0dB</li> <li>8'd255: -127.5dB</li> </ul>

**Register 43: VOLUME4**

<b>Bits</b>	[7:0]
<b>Default</b>	8'd0

Bits	Mnemonic	Description
[7:0]	VOLUME4	DAC ch4 volume. -0dB to -127.5dB 0.5dB steps. <ul style="list-style-type: none"> <li>8'd0: 0dB</li> <li>8'd255: -127.5dB</li> </ul>

**Register 44: VOLUME5**

<b>Bits</b>	[7:0]
<b>Default</b>	8'd0

Bits	Mnemonic	Description
[7:0]	VOLUME5	DAC ch5 volume. -0dB to -127.5dB 0.5dB steps. <ul style="list-style-type: none"> <li>8'd0: 0dB</li> <li>8'd255: -127.5dB</li> </ul>

**Register 45: VOLUME6**

<b>Bits</b>	[7:0]
<b>Default</b>	8'd0

Bits	Mnemonic	Description
[7:0]	VOLUME6	DAC ch6 volume. -0dB to -127.5dB 0.5dB steps. <ul style="list-style-type: none"> <li>8'd0: 0dB</li> <li>8'd255: -127.5dB</li> </ul>

## ES9017 Product Datasheet



## Register 46: VOLUME7

<b>Bits</b>	[7:0]
<b>Default</b>	8'd0

Bits	Mnemonic	Description
[7:0]	VOLUME7	DAC ch7 volume. -0dB to -127.5dB 0.5dB steps. <ul style="list-style-type: none"> <li>8'd0: 0dB</li> <li>8'd255: -127.5dB</li> </ul>

## Register 47: VOLUME8

<b>Bits</b>	[7:0]
<b>Default</b>	8'd0

Bits	Mnemonic	Description
[7:0]	VOLUME8	DAC ch8 volume. -0dB to -127.5dB 0.5dB steps. <ul style="list-style-type: none"> <li>8'd0: 0dB</li> <li>8'd255: -127.5dB</li> </ul>

## Register 48: DAC VOL UP RATE

<b>Bits</b>	[7:0]
<b>Default</b>	8'h04

Bits	Mnemonic	Description
[7:0]	DAC_VOL_RATE_UP	Value by which the old VOLUME value is incremented to reach the new VOLUME value <ul style="list-style-type: none"> <li>8'h00: Instant change</li> <li>8'h01: Slowest change</li> <li>8'h04: Default</li> <li>8'hFF: Fastest change</li> </ul> $ramp\_rate[s] = 2^{15} / (DAC\_VOL\_RATE\_UP * FS)$



## Register 49: DAC VOL DOWN RATE

<b>Bits</b>	[7:0]
<b>Default</b>	8'h04

Bits	Mnemonic	Description
[7:0]	DAC_VOL_RATE_DOWN	Value by which the old VOLUME value is incremented to reach the new VOLUME value <ul style="list-style-type: none"> <li>8'h00: Instant change</li> <li>8'h01: Slowest change</li> <li>8'h04: Default</li> <li>8'hFF: Fastest change</li> </ul> $ramp\_rate[s] = 2^{15} / (DAC\_VOL\_RATE\_DOWN * FS)$

## Register 50: DAC VOL DOWN RATE FAST

<b>Bits</b>	[7:0]
<b>Default</b>	8'hFF

Bits	Mnemonic	Description
[7:0]	DAC_VOL_RATE_FAST	Value by which the old VOLUME value is incremented to reach the new VOLUME value Only used during abnormal mute (BCK_WS ratio failed) <ul style="list-style-type: none"> <li>8'h00: Instant change</li> <li>8'h01: Slowest change</li> <li>8'hFF: Fastest change (default)</li> </ul> $ramp\_rate[s] = 2^{15} / (DAC\_VOL\_RATE\_FAST * FS)$





## ES9017 Product Datasheet

### Register 51: DAC MUTE

Bits	[7]	[6]	[5]	[4]	[3]	[2]	[1]	[0]
Default	1'b0	1'b0	1'b0	1'b0	1'b0	1'b0	1'b0	1'b0

Bits	Mnemonic	Description
[7]	DAC_MUTE_CH8	<ul style="list-style-type: none"> <li>1'b0: Normal operation (default)</li> <li>1'b1: Mute ch8</li> </ul>
[6]	DAC_MUTE_CH7	<ul style="list-style-type: none"> <li>1'b0: Normal operation (default)</li> <li>1'b1: Mute ch7</li> </ul>
[5]	DAC_MUTE_CH6	<ul style="list-style-type: none"> <li>1'b0: Normal operation (default)</li> <li>1'b1: Mute ch6</li> </ul>
[4]	DAC_MUTE_CH5	<ul style="list-style-type: none"> <li>1'b0: Normal operation (default)</li> <li>1'b1: Mute ch5</li> </ul>
[3]	DAC_MUTE_CH4	<ul style="list-style-type: none"> <li>1'b0: Normal operation (default)</li> <li>1'b1: Mute ch4</li> </ul>
[2]	DAC_MUTE_CH3	<ul style="list-style-type: none"> <li>1'b0: Normal operation (default)</li> <li>1'b1: Mute ch3</li> </ul>
[1]	DAC_MUTE_CH2	<ul style="list-style-type: none"> <li>1'b0: Normal operation (default)</li> <li>1'b1: Mute ch2</li> </ul>
[0]	DAC_MUTE_CH1	<ul style="list-style-type: none"> <li>1'b0: Normal operation (default)</li> <li>1'b1: Mute ch1</li> </ul>



## Register 52: DAC INVERT

Bits	[7]	[6]	[5]	[4]	[3]	[2]	[1]	[0]
Default	1'b0	1'b0	1'b0	1'b0	1'b0	1'b0	1'b0	1'b0

Bits	Mnemonic	Description
[7]	DAC_INVERT_CH8	<ul style="list-style-type: none"> <li>1'b0: Normal operation (default)</li> <li>1'b1: Invert the output on Ch8, OUT/OUTB are phase inverted</li> </ul>
[6]	DAC_INVERT_CH7	<ul style="list-style-type: none"> <li>1'b0: Normal operation (default)</li> <li>1'b1: Invert the output on Ch7, OUT/OUTB are phase inverted</li> </ul>
[5]	DAC_INVERT_CH6	<ul style="list-style-type: none"> <li>1'b0: Normal operation (default)</li> <li>1'b1: Invert the output on Ch6, OUT/OUTB are phase inverted</li> </ul>
[4]	DAC_INVERT_CH5	<ul style="list-style-type: none"> <li>1'b0: Normal operation (default)</li> <li>1'b1: Invert the output on Ch5, OUT/OUTB are phase inverted</li> </ul>
[3]	DAC_INVERT_CH4	<ul style="list-style-type: none"> <li>1'b0: Normal operation (default)</li> <li>1'b1: Invert the output on Ch4, OUT/OUTB are phase inverted</li> </ul>
[2]	DAC_INVERT_CH3	<ul style="list-style-type: none"> <li>1'b0: Normal operation (default)</li> <li>1'b1: Invert the output on Ch3, OUT/OUTB are phase inverted</li> </ul>
[1]	DAC_INVERT_CH2	<ul style="list-style-type: none"> <li>1'b0: Normal operation (default)</li> <li>1'b1: Invert the output on Ch2, OUT/OUTB are phase inverted</li> </ul>
[0]	DAC_INVERT_CH1	<ul style="list-style-type: none"> <li>1'b0: Normal operation (default)</li> <li>1'b1: Invert the output on Ch1, OUT/OUTB are phase inverted</li> </ul>

## Register 53: FILTER SHAPE

Bits	[7:3]	[2:0]
Default	5'd23	3'd0

Bits	Mnemonic	Description
[7:3]	RESERVED	NA
[2:0]	FILTER_SHAPE	Selects the 8x interpolation FIR filter shape. <ul style="list-style-type: none"> <li>3'd0: Minimum phase (default)</li> <li>3'd1: Linear phase fast roll-off apodizing</li> <li>3'd2: Linear phase fast roll-off</li> <li>3'd4: Linear phase slow roll-off</li> <li>3'd5: Minimum phase fast roll-off</li> <li>3'd6: Minimum phase slow roll-off</li> <li>3'd7: Minimum phase slow roll-off low dispersion</li> </ul>

## ES9017 Product Datasheet



## Register 54: IIR BANDWIDTH

Bits	[7:4]	[3]	[2:0]
Default	4'd0	1'b0	3'd4

Bits	Mnemonic	Description
[7:4]	RESERVED	NA
[3]	VOLUME_HOLD	Hold volume coefficients to allow for all channels to update at same time
[2:0]	IIR_BW	Controls the IIR bandwidth in the digital datapath. <ul style="list-style-type: none"> <li>• 3'd0: Reserved</li> <li>• 3'd1: BW * 8</li> <li>• 3'd2: BW * 4</li> <li>• 3'd3: BW * 2</li> <li>• 3'd4: BW (default)</li> <li>• 3'd5: BW / 2</li> <li>• 3'd6: BW / 4</li> <li>• 3'd7: BW / 8</li> </ul>

## Register 55: DAC PATH CONFIG

Bits	[7:2]	[1]	[0]
Default	6'b000000	1'b0	1'b0

Bits	Mnemonic	Description
[7:2]	RESERVED	NA
[1]	BYPASS_FIR4X	<ul style="list-style-type: none"> <li>• 1'b0: Non-bypass IFir_4x (default)</li> <li>• 1'b1: Bypass IFir_4x</li> </ul>
[0]	BYPASS_FIR2X	<ul style="list-style-type: none"> <li>• 1'b0: Non-bypass IFir_2x (default)</li> <li>• 1'b1: Bypass IFir_2x</li> </ul>



## Register 56: AUTOMUTE ENABLE

Bits	[7]	[6]	[5]	[4]	[3]	[2]	[1]	[0]
Default	1'b1	1'b1	1'b1	1'b1	1'b1	1'b1	1'b1	1'b1

Bits	Mnemonic	Description
[7]	AUTOMUTE_EN_CH8	<ul style="list-style-type: none"> <li>1'b0: Disables ch8 automute</li> <li>1'b1: Enables ch8 automute (default)</li> </ul> Note: Automute is available for PCM only
[6]	AUTOMUTE_EN_CH7	<ul style="list-style-type: none"> <li>1'b0: Disables ch7 automute</li> <li>1'b1: Enables ch7 automute (default)</li> </ul> Note: Automute is available for PCM only
[5]	AUTOMUTE_EN_CH6	<ul style="list-style-type: none"> <li>1'b0: Disables ch6 automute</li> <li>1'b1: Enables ch6 automute (default)</li> </ul> Note: Automute is available for PCM only
[4]	AUTOMUTE_EN_CH5	<ul style="list-style-type: none"> <li>1'b0: Disables ch5 automute</li> <li>1'b1: Enables ch5 automute (default)</li> </ul> Note: Automute is available for PCM only
[3]	AUTOMUTE_EN_CH4	<ul style="list-style-type: none"> <li>1'b0: Disables ch4 automute</li> <li>1'b1: Enables ch4 automute (default)</li> </ul> Note: Automute is available for PCM only
[2]	AUTOMUTE_EN_CH3	<ul style="list-style-type: none"> <li>1'b0: Disables ch3 automute</li> <li>1'b1: Enables ch3 automute (default)</li> </ul> Note: Automute is available for PCM only
[1]	AUTOMUTE_EN_CH2	<ul style="list-style-type: none"> <li>1'b0: Disables ch2 automute</li> <li>1'b1: Enables ch2 automute (default)</li> </ul> Note: Automute is available for PCM only
[0]	AUTOMUTE_EN_CH1	<ul style="list-style-type: none"> <li>1'b0: Disables ch1 automute</li> <li>1'b1: Enables ch1 automute (default)</li> </ul> Note: Automute is available for PCM only

## ES9017 Product Datasheet



## Register 58-57: AUTOMUTE TIME

Bits	[15:12]	[11]	[10:0]
Default	4'd0	1'b1	11'h00F

Bits	Mnemonic	Description
[15:12]	RESERVED	NA
[11]	AUTOMUTE_RAMP_TO_GROUND	<ul style="list-style-type: none"> <li>1'b0: When ramped to min volume during normal mute, do not soft ramp to ground</li> <li>1'b1: When ramped to min volume during normal mute, soft ramp to ground for power saving (default)</li> </ul> normal mute includes: automute, mute by register, mute by GPIO
[10:0]	AUTOMUTE_TIME	Configures the amount of time in seconds the audio must remain below AUTOMUTE_LEVEL before an automute condition is flagged. <ul style="list-style-type: none"> <li>11'h000: Disabled</li> <li>11'h001: Slowest</li> <li>11'h00F: Default</li> <li>11'h7FF: Fastest</li> </ul> $Time(s) = 2^{18} / (AUTOMUTE\_TIME * FS)$

## Register 60-59: AUTOMUTE LEVEL

Bits	[15:0]
Default	16'h0008

Bits	Mnemonic	Description
[15:0]	AUTOMUTE_LEVEL	The threshold which the audio must be below before an automute condition is flagged. <ul style="list-style-type: none"> <li>16'h0001: -138dB</li> <li>16'h0008: -120dB (default)</li> <li>16'hFFFF: -42dB</li> </ul> Note: this register works in tandem with AUTOMUTE_TIME to create the automute condition. $level[db] = 20 * \log_{10} \left( \frac{AUTOMUTE\_LEVEL}{(2^{16} - 1) * 2^7} \right)$



## Register 62-61: AUTOMUTE OFF LEVEL

Bits	[15:0]
Default	16'h000A

Bits	Mnemonic	Description
[15:0]	AUTOMUTE_OFF_LEVEL	<p>The threshold which the audio must be above before the automute condition is immediately cleared.</p> <ul style="list-style-type: none"> <li>16'h0001: -138dB</li> <li>16'h000A: -118dB (default)</li> <li>16'hFFFF: -42dB</li> </ul> $level[db] = 20 * \log_{10} \left( \frac{AUTOMUTE\_OFF\_LEVEL}{(2^{16} - 1) * 2^7} \right)$

## Register 63: SOFT RAMP CONFIG

Bits	[7]	[6]	[5]	[4:0]
Default	1'b1	1'b1	1'b0	5'd3

Bits	Mnemonic	Description
[7]	GPIO3_FUNC_OR	<p>GPIO3 defaults as a non-customer special function which must be set to 0. In hardware mode, it is done by grounding GPIO3, in software mode the user must set GPIO3_FUNC_OR, GPIO3_FUNC_SET1 and GPIO3_FUNC_SET2 to 0.</p> <ul style="list-style-type: none"> <li>1'b0: Disable GPIO3 function.</li> <li>1'b1: GPIO3 function override (default).</li> </ul>
[6]	GPIO3_FUNC_SET1	<ul style="list-style-type: none"> <li>1'b0: Disable GPIO3 function setting option 1.</li> <li>1'b1: GPIO3 function setting option 1 (default).</li> </ul>
[5]	RESERVED	NA
[4:0]	SOFT_RAMP_TIME	<p>Sets the amount of time that it takes to perform a soft start ramp. This time affects both ramp to ground and ramp to AVCC/2. Valid from 0 to 20 (inclusive).</p> $Time[s] = 4096 * (2^{(SOFT\_RAMP\_TIME+1)}) / CLK\_IDAC[Hz]$

## Register 64: RESERVED

## ES9017 Product Datasheet



## Register 65: GPIO3 FUNC and DITHER CONTROL

Bits	[7]	[6:4]	[3:0]
Default	1'b1	3'b001	4'd5

Bits	Mnemonic	Description
[7]	GPIO3_FUNC_SET2	GPIO3 defaults as a special function which must be set to 0. In hardware mode its done by grounding GPIO3, in software mode the user must set GPIO3_FUNC_OR, GPIO3_FUNC_SET1 and GPIO3_FUNC_SET2 to 0. <ul style="list-style-type: none"> <li>• 1'b0: Disable GPIO3 function setting option 2.</li> <li>• 1'b1: GPIO3 function setting option 2 (default).</li> </ul>
[6:4]	RESERVED	NA
[3:0]	DITHER_SETTING	DAC dither setting.



## Readback Registers

### Register 224: SYS READ

Bits	[7:4]	[3:2]	[1]	[0]
Default	-	-	-	-

Bits	Mnemonic	Description
[7:4]	RESERVED	NA
[3:2]	MODES	Chip mode readback. Based on MODE Pin <ul style="list-style-type: none"> <li>2'd0: I2C</li> <li>2'd3: SPI</li> </ul> Note: All other values are invalid.
[1]	ADDR1	I2C address select bit 1.
[0]	ADDR0	I2C address select bit 0.

### Register 225: CHIP ID READ

Bits	[7:0]
Default	8'h60

Bits	Mnemonic	Description
[7:0]	CHIP_ID	Chip ID. <ul style="list-style-type: none"> <li>ES9017: 0x60</li> </ul>

### Register 228-226: RESERVED

### Register 229: RATIO VALID READ

Bits	[7]	[6:0]
Default	-	-

Bits	Mnemonic	Description
[7]	RATIO_VALID	Indicates validity of the MCLK/CLK_IDAC ratio <ul style="list-style-type: none"> <li>1'b0: Invalid</li> <li>1'b1: Valid</li> </ul>
[6:0]	RESERVED	NA



## ES9017 Product Datasheet



### Register 230: INPUT READBACK

Bits	[7]	[6]	[5:2]	[1:0]
Default	-	-	-	-

Bits	Mnemonic	Description
[7]	RESERVED	NA
[6]	TDM_DATA_VALID	TDM valid data flag
[5:2]	DOP_VALID	DoP valid flag
[1:0]	INPUT_SELECT_OVERRIDE	AUTO_INPUT_SEL value

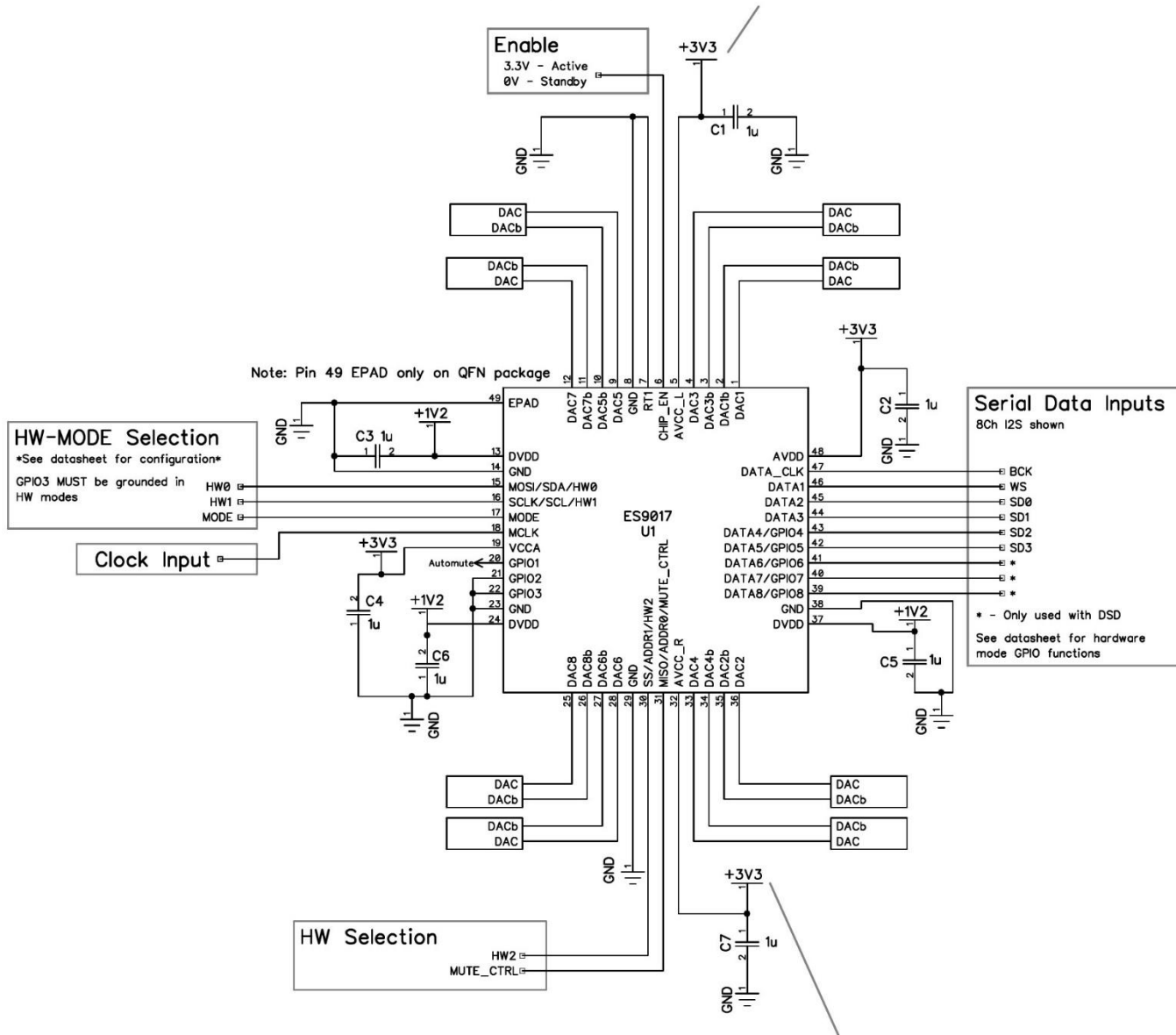
### Register 233-231: RESERVED



# ES9017 Reference Schematics

## Hardware (HW) Mode

\*\*\* AVCC\_L Must be powered with an ultra-low-noise regulator \*\*\*  
 \*\*\* For powering with an ES9311, remove 1uF decoupling capacitor. \*\*\*



\*\*\* AVCC\_R Must be powered with an ultra-low-noise regulator \*\*\*  
 \*\*\* For powering with an ES9311, remove 1uF decoupling capacitor. \*\*\*

Figure 22 - ES9017Q Hardware Mode Reference Schematic

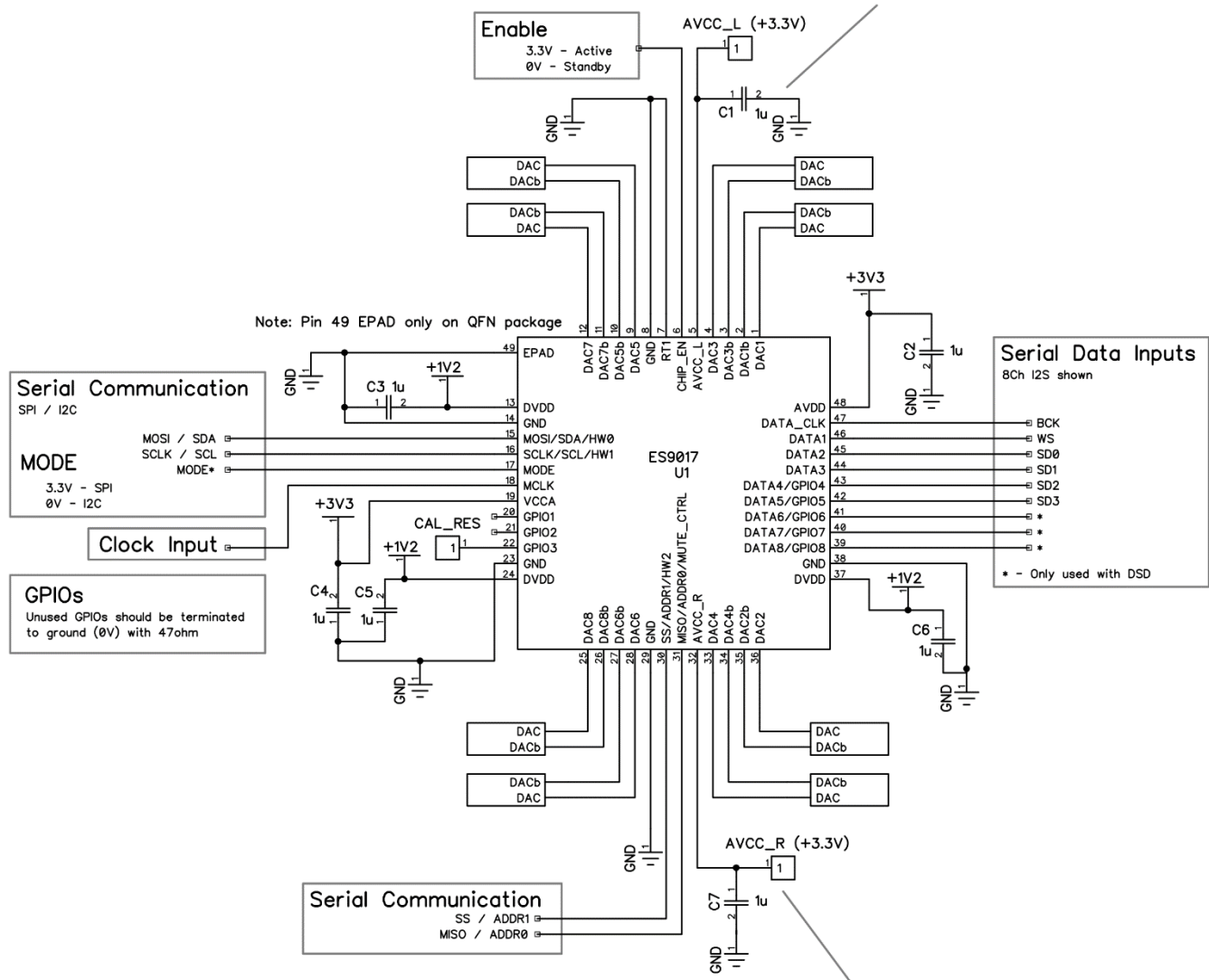
Note: ES9017Q has an exposed pad (EPAD, Pin 49) and should be grounded. ES9017S does not have an exposed pad.



Software (SW) Mode

\*\*\* AVCC\_L Must be powered with an ultra-low-noise regulator \*\*\*

\*\*\* For powering with an ES9312 or ES9311, remove 1uF decoupling capacitor. \*\*\*



\*\*\* AVCC\_R Must be powered with an ultra-low-noise regulator \*\*\*

\*\*\* For powering with an ES9312 or ES9311, remove 1uF decoupling capacitor. \*\*\*

Figure 23 - ES9017Q Software Mode Reference Schematic

Note: ES9017Q has an exposed pad (EPAD, Pin 49) and should be grounded. ES9017S does not have an exposed pad.



### Recommended Output Stage

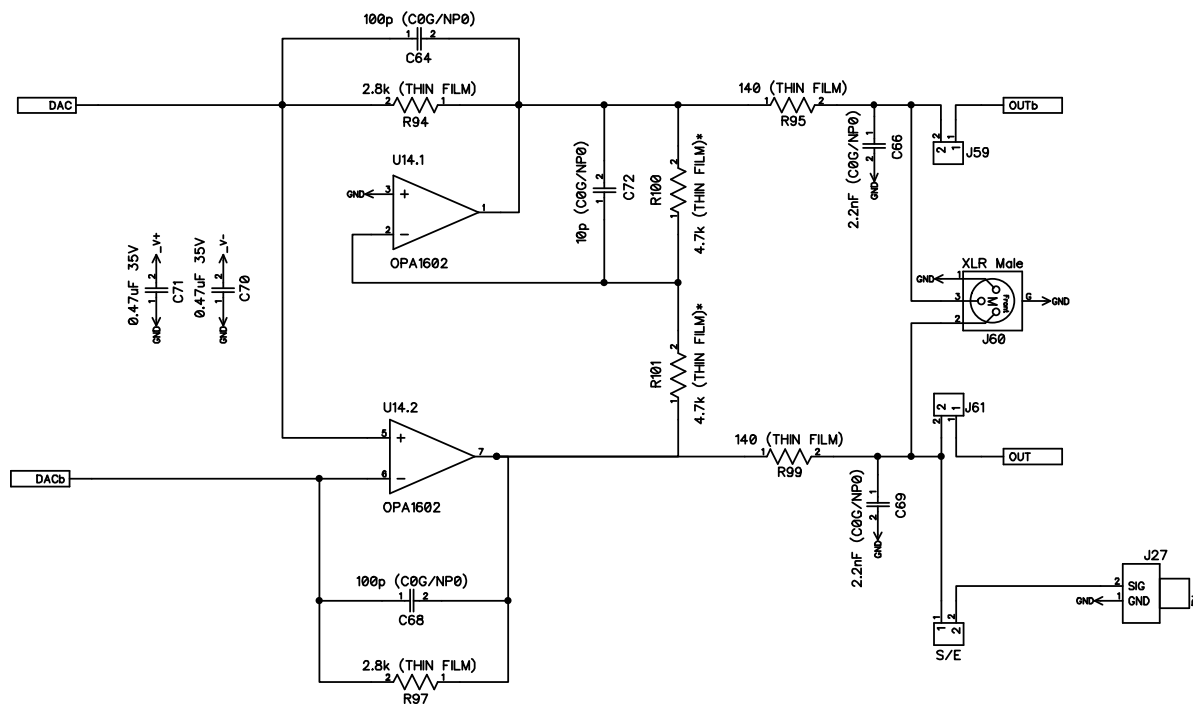


Figure 24 - ES9017 Output Stage Schematic

Note: Schematic is representative of ES9017 1v1 EVB. See EVB manual for more details.

### Recommended Power Supply

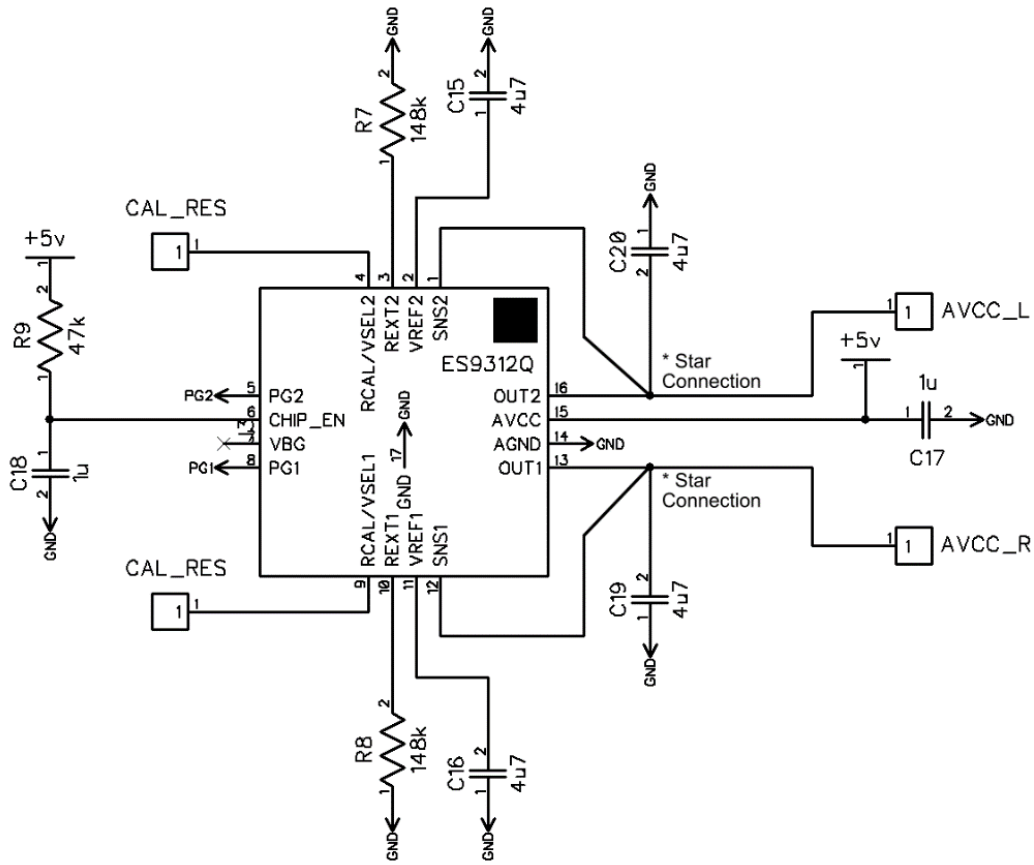


Figure 25 - ES9017 Power Supply Schematic

Note: In all configurations  $V_{BG}$  must remain floating.  $VSENSE_x$  and  $OUT_x$  pins need to be star connected to 4.7μF capacitors which are located close to ES9312.



## Internal Pad Circuitry

Pin Name	Pin	Type	Equivalent Circuit
AVCC_L VCAA AVCC_R AVDD	5 19 32 48	Power	
GND GND GND GND GND	8 14 23 29 38	Ground	
CHIP_EN	6	Reset	

ES9017 Product Datasheet



RT1	7	Digital I/O	
MOSI/SDA/HW0	15		
SCLK/SCL/HW1	16		
MODE	17		
GPIO1	20		
GPIO2	21		
GPIO 3	22		
SS/ADDR1/HW1	30		
MISO/ADDR0/MUTE_CTRL	31		
DATA8/GPIO8	39		
DATA7/GPIO7	40		
DATA6/GPIO6	41		
DATA5/GPIO5	42		
DATA4/GPIO4	43		
DATA3	44		
DATA2	45		
DATA1	46		
DATA_CLK	47		



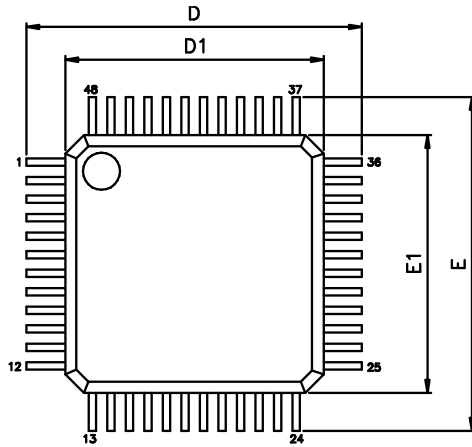
DAC1	1	Analog IO DAC	
DAC1B	2		
DAC3B	3		
DAC3	4		
DAC5	9		
DAC5B	10		
DAC7B	11		
DAC7	12		
MCLK	18		
DAC8	25		
DAC8B	26		
DAC6B	27		
DAC6	28		
DAC4	33		
DAC4B	34		
DAC2B	35		
DAC2	36		
DVDD	13	IO Power	
DVDD	24		
DVDD	37		

Table 28 - Internal Pad Circuitry



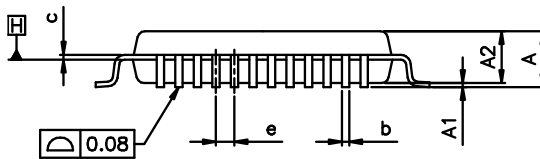


### 48 QFP Package Dimensions



VARIATIONS (ALL DIMENSIONS SHOWN IN MM)

SYMBOLS	MIN.	NOM.	MAX.
A	--	--	1.60
A1	0.05	--	0.15
A2	1.35	1.40	1.45
b	0.17	0.22	0.27
c	0.09	--	0.20
D	9.00 BSC		
D1	7.00 BSC		
E	9.00 BSC		
E1	7.00 BSC		
e	0.50 BSC		
L	0.45	0.60	0.75
L1	1.00 REF		
$\theta$	0°	3.5°	7°



NOTES:

1. JEDEC OUTLINE : MS-026 BBC
2. DATUM PLANE [H] IS LOCATED AT THE BOTTOM OF THE MOLD PARTING LINE COINCIDENT WITH WHERE THE LEAD EXITS THE BODY.
3. DIMENSIONS D1 AND E1 DO NOT INCLUDE MOLD PROTRUSION. ALLOWABLE PROTRUSION IS 0.25 mm PER SIDE. DIMENSIONS D1 AND E1 DO INCLUDE MOLD MISMATCH AND ARE DETERMINED AT DATUM PLANE [H].
4. DIMENSION b DOES NOT INCLUDE DAMBAR PROTRUSION.

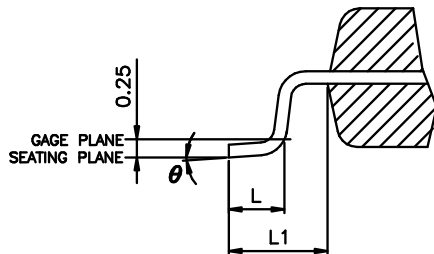
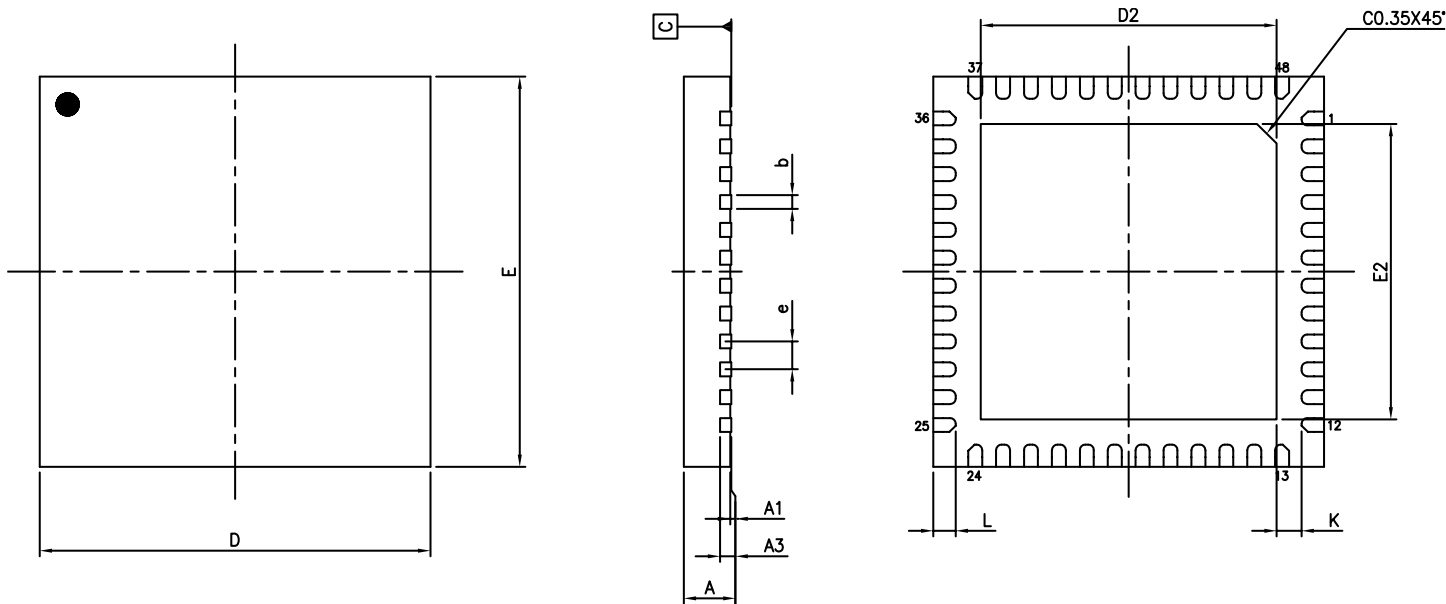


Figure 26 - ES9017S 48 QFP Package Dimensions



### 48 QFN Package Dimensions



PACKAGE TYPE				
JEDEC OUTLINE	MO-220			
PKG CODE	VQFN(Y74B)			
SYMBOLS	MIN.	NOM.	MAX.	
A	0.80	0.85	0.90	
A1	0.00	0.02	0.05	
A3	0.203 REF.			
b	0.20	0.25	0.30	
D	7.00 BSC			
E	7.00 BSC			
e	0.50 BSC			
L	0.35	0.40	0.45	
K	0.20	-	-	

PAD SIZE	D2			E2			LEAD FINISH		JEDEC CODE
	MIN.	NOM.	MAX.	MIN.	NOM.	MAX.	Pure Tin	PPF	
224X224 MIL	5.25	5.30	5.35	5.25	5.30	5.35	V	X	N/A

NOTES :

1. ALL DIMENSIONS ARE IN MILLIMETERS.
2. DIMENSION b APPLIES TO METALLIZED TERMINAL AND IS MEASURED BETWEEN 0.15mm AND 0.30mm FROM THE TERMINAL TIP. IF THE TERMINAL HAS THE OPTIONAL RADIUS ON THE OTHER END OF THE TERMINAL, THE DIMENSION b SHOULD NOT BE MEASURED IN THAT RADIUS AREA.
3. BILATERAL COPLANARITY ZONE APPLIES TO THE EXPOSED HEAT SINK SLUG AS WELL AS THE TERMINALS.

Figure 27 - ES9017Q 48 QFN Package Dimensions



48 QFP Top View Marking

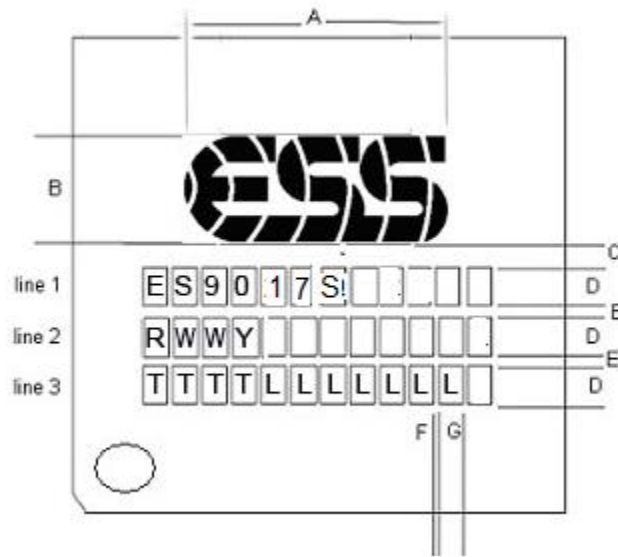


Figure 28 - ES9017S Marking

Package Type	Dimension in mm						
	A	B	C	D	E	F	G
48 LQFP 7mm x 7mm	5.0	2.0	0.3	0.56	0.2	0.08	0.33

T	Tracking Number
W	Work Week
Y	Last Digit of Year
L	Lot Number
R	Silicon Revision



## 48 QFN Top View Marking

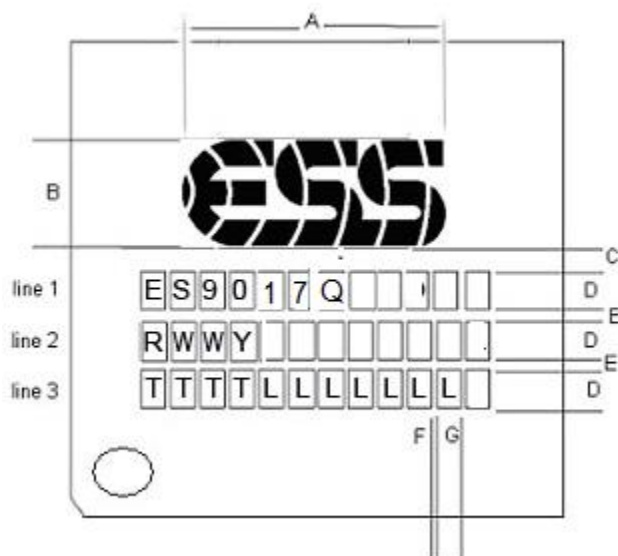


Figure 29 - ES9017Q Marking

Package Type	Dimension in mm						
	A	B	C	D	E	F	G
48 LQFP 7mm x 7mm	5.0	2.0	0.3	0.56	0.2	0.08	0.33

T	Tracking Number
W	Work Week
Y	Last Digit of Year
L	Lot Number
R	Silicon Revision



## Reflow Process Considerations

### Temperature Controlled

For lead-free soldering, the characterization and optimization of the reflow process is the most important factor to consider.

The lead-free alloy solder has a melting point of 217°C. This alloy requires a minimum reflow temperature of 235°C to ensure good wetting. The maximum reflow temperature is in the 245°C to 260°C range, depending on the package size (RPC-2-Pb-Free Process - Classification Temperatures ( $T_c$ )) This narrows the process window for lead-free soldering to 10°C to 20°C.

The increase in peak reflow temperature in combination with the narrow process window makes the development of an optimal reflow profile a critical factor for ensuring a successful lead-free assembly process. The major factors contributing to the development of an optimal thermal profile are the size and weight of the assembly, the density of the components, the mix of large and small components, and the paste chemistry being used.

Reflow profiling needs to be performed by attaching calibrated thermocouples well adhered to the device as well as other critical locations on the board to ensure that all components are heated to temperatures above the minimum reflow temperatures and that smaller components do not exceed the maximum temperature limits (Table RPC-2).

To ensure that all packages can be successfully and reliably assembled, the reflow profiles studied and recommended by ESS are based on the JEDEC/IPC standard J-STD-020 revision D.1.

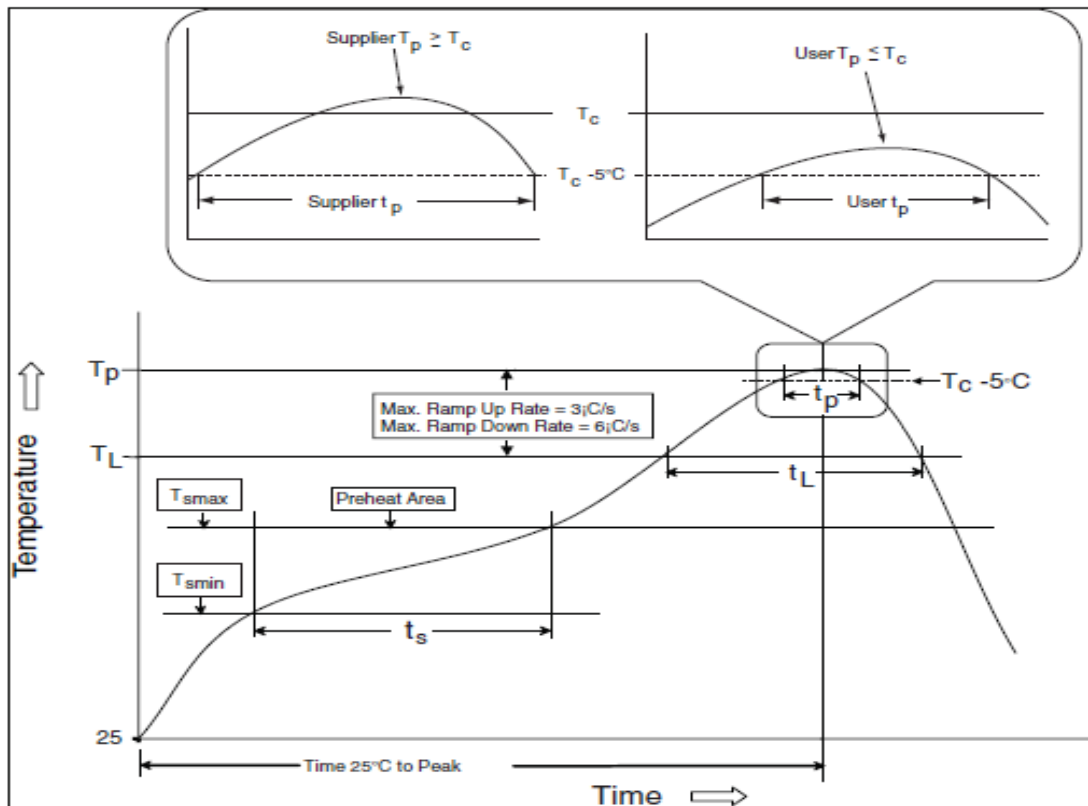


Figure 30 - IR/Convection Reflow Profile (IPC/JEDEC J-STD-020D.1)



Reflow is allowed 3 times. Caution must be taken to ensure time between re-flow runs does not exceed the allowed time by the moisture sensitivity label. If the time elapsed between the re-flows exceeds the moisture sensitivity time bake the board according to the moisture sensitivity label instructions.

## Manual

Allowed up to 2 times with maximum temperature of 350°C no longer than 3 seconds.

## RPC-1 Classification Reflow Profile

Profile Feature	Pb-Free Assembly
<b>Preheat/Soak</b>	
Temperature Min (T <sub>min</sub> )	150°C
Temperature Max (T <sub>max</sub> )	200°C
Time (ts) from (T <sub>min</sub> to T <sub>max</sub> )	60-120 seconds
Ramp-up rate (TL to T <sub>p</sub> )	3°C / second maximum
Liquidous temperature (TL)	217°C
Time (tL) maintained above TL	60-150 seconds
Peak package body temperature (T <sub>p</sub> )	For users T <sub>p</sub> must not exceed the classification temp in Table RPC-2. For suppliers T <sub>p</sub> must equal or exceed the Classification temp in Table RPC-2.
Time (t <sub>p</sub> )* within 5°C of the specified classification temperature (T <sub>c</sub> )	30* seconds
Ramp-down rate (T <sub>p</sub> to TL)	6°C / second maximum
Time 25°C to peak temperature	8 minutes maximum
* Tolerance for peak profile temperature (T <sub>p</sub> ) is defined as a supplier minimum and a user maximum.	

Table 29 - RPC-1 Classification Reflow Profile

All temperatures refer to the center of the package, measured on the package body surface that is facing up during assembly reflow (e.g., live-bug). If parts are reflowed in other than the normal live-bug assembly reflow orientation (i.e., dead-bug), T<sub>p</sub> shall be within  $\pm 2^\circ\text{C}$  of the live-bug T<sub>p</sub> and still meet the T<sub>c</sub> requirements, otherwise, the profile shall be adjusted to achieve the latter. To accurately measure actual peak package body temperatures, refer to JEP140 for recommended thermocouple use.

Reflow profiles in this document are for classification/preconditioning and are not meant to specify board assembly profiles. Actual board assembly profiles should be developed based on specific process needs and board designs and should not exceed the parameters in Table RPC-1.

For example, if T<sub>c</sub> is 260°C and time t<sub>p</sub> is 30 seconds, this means the following for the supplier and the user.

For a supplier: The peak temperature must be at least 260°C. The time above 255°C must be at least 30 seconds.

For a user: The peak temperature must not exceed 260°C. The time above 255°C must not exceed 30 seconds.

All components in the test load shall meet the classification profile requirements.



### RPC-2-Pb-Free Process - Classification Temperatures (Tc)

Package Thickness	Volume mm <sup>3</sup> , <350	Volume mm <sup>3</sup> , 350 to 2000	Volume mm <sup>3</sup> , >2000
<1.6 mm	260°C	260°C	260°C
1.6 mm – 2.5 mm	260°C	250°C	245°C
>2.5 mm	250°C	245°C	245°C

Table 30 - RPC-2 Pb Free Classification Temperatures

At the discretion of the device manufacturer, but not the board assembler/user, the maximum peak package body temperature (Tp) can exceed the values specified in Table RPC-2. The use of a higher Tp does not change the classification temperature (Tc).

Package volume excludes external terminals (e.g., balls, bumps, lands, leads) and/or nonintegral heat sinks.

The maximum component temperature reached during reflow depends on package thickness and volume. The use of convection reflow processes reduces the thermal gradients between packages. However, thermal gradients due to differences in thermal mass of SMD packages may still exist.



## Ordering Information

Part Number	Description	Package
ES9017S	High Performance SABRE 32-bit 8 Channel DAC	7mm x 7mm 48 QFP
ES9017Q <ul style="list-style-type: none"> <li>Inquire for availability</li> </ul>		7mm x 7mm 48 QFN

Table 31 - Ordering Information





## Revision History

Current Version 0.3

Rev.	Date	Notes
0.1	June 24, 2022	Initial release
0.3	March, 2024	<ul style="list-style-type: none"> <li>• Updated formatting</li> <li>• Consolidated AGND and DGND pins into GND</li> <li>• Updated Reg 32-39 [6:5] [0:4], 52 descriptions</li> <li>• Updated audio input format section</li> <li>• Updated pre-programmed digital filters section</li> <li>• Updated Software &amp; HW sections</li> <li>• Updated TDM format &amp; SPI/ I<sup>2</sup>C figures</li> <li>• Added switching and timing characteristics</li> <li>• Added combining channels section</li> <li>• Unreserved Reg 13[6] CAL_RES_ENB, 63[7][6], 65[7][3:0]</li> <li>• Added Calibration resistor section</li> </ul>

© 2022-2024 ESS Technology, Inc.

ESS ICs are not intended, authorized, or warranted for use as components in military applications, medical devices or life support systems. ESS assumes no liability and disclaims any expressed, implied or statutory warranty for use of ESS ICs in such unsuitable applications.

No part of this publication may be reproduced, stored in a retrieval system, transmitted, or translated in any form or by any means, electronic, mechanical, manual, optical, or otherwise, without the prior written permission of ESS Technology, Inc. ESS Technology, Inc. makes no representations or warranties regarding the content of this document. All specifications are subject to change without prior notice. ESS Technology, Inc. assumes no responsibility for any errors contained herein. U.S. patents pending.