

- ◆ GENERAL INFORMATION – COAXIAL CABLE TYPE Pag. 2
- ◆ SPECIFICATIONS Pag. 3
- ◆ **50 Ω** - STRAIGHT & RIGHT ANGLE PLUG AND SOCKET CONNECTORS Pag. 4
- ◆ **50 Ω** - STRAIGHT & RIGHT ANGLE PCB SOCKET CONNECTORS Pag. 5
- ◆ **75 Ω** - STRAIGHT & RIGHT ANGLE PLUG CONNECTORS - CRIMP TYPE Pag. 6 - 7
- ◆ **75 Ω** - STRAIGHT & RIGHT ANGLE SOCKET CONNECTORS - CRIMP TYPE Pag. 8
- ◆ **75 Ω** - STRAIGHT & RIGHT ANGLE PCB SOCKET CONNECTORS Pag. 9 - 10
- ◆ PART NUMBER REFERENCE CHART Pag. 11

GENERAL INFORMATION

Connection possibilities exists for many different cables as for the chart. **Other cables are available on request.**

GROUP	CABLE CODE	OUTER DIA.	IMPED.	GROUP	CABLE CODE	OUTER DIA.	IMPED.
1	RG179 B/U	2,54	75 Ω	4	FLEX 3/75	3,60±0,1	75 Ω
1	RG187 B/U	2,79	75 Ω	4	FLEX 4/75	4,50±0,1	75 Ω
1	RG59 B/U	6,15	75 Ω	4	FLEX 5/75	4,70±0,1	75 Ω
1	RG6 /U	8,43	75 Ω	4	FLEX 6/75	6,00±0,2	75 Ω
2	2YCY 0,4/2,5	3,80	75 Ω	4	FLEX 7/75	7,40±0,4	75 Ω
2	2YCCY 0,4/2,5	4,50	75 Ω	5	1,5C-2V	2,85	75 Ω
2	2YC(mS)CY 0,4/2,5	4,80	75 Ω	5	1,5C-XW	3,30	75 Ω
2	2YCY 0,7/4,4	6,00	75 Ω	5	2,5C-2V	4,00±0,5	75 Ω
2	2YC(mS)CY 0,5/3,0	6,00	75 Ω	5	2,5C-FXW	4,80	75 Ω
2	2YCCY 0,7/4,4	7,40	75 Ω	5	3C-2V	5,80±0,5	75 Ω
2	2YC(mS)C2YCY 0,7/4,4	9,50	75 Ω	5	3C-2W	6,50±0,5	75 Ω
2	2YCCY 1,0/6,5	9,50	75 Ω	6	BT 3002	3,55±0,15	75 Ω
2	2YC(mS)CY 1,0/6,5	9,50	75 Ω	6	BT 2002	5,10±0,1	75 Ω
3	ST 212/1-/2	3,10±0,1	75 Ω	6	BT 2003	6,70	75 Ω
3	ST 121	4,80 max	75 Ω	7	TZC 75024	3,55±0,15	75 Ω
3	ST 212/3	5,00 max	75 Ω	8	L910/34	3,90	75 Ω
3	ST 214/1-/2	5,80±0,1	75 Ω	8	L910/39	3,70±0,1	75 Ω
3	ST 120	5,90 max	75 Ω	9	LSOH 0,25/1,15	2,65±0,1	75 Ω
3	ST 271	6,50 max	75 Ω	9	EV1CH 0,315/1,95	3,55±0,15	75 Ω
3	ST 214/3	8,00 max	75 Ω	9	CINA TYPE II	4,40±0,2	75 Ω
4	FLEX 2/75	2,90 max	75 Ω	9	CINA TYPE III	6,70±0,25	75 Ω

Assembling instructions are available on customer request.

MATERIALS

- Bodies, nuts	Brass
- Male inner contacts	Brass or beryllium copper
- Female inner contacts	Beryllium copper
- Female outer contact	Beryllium copper
- Ferrules	Copper alloy
- Insulators	PTFE (Teflon) or thermoplastics

FINISH

- Contact surfaces	Gold over Nickel
- Bodies and crimp ferrules	Nickel or Gold over Nickel

MECHANICAL

Withdrawal force:

- Inner female contact	0,2 N (0.04 lbs.) min.
- Outer male contact	0,7 N (0.15 lbs.) min.
- Between sockets and plugs	10 N (2.24 lbs.) max.
- Between sockets and plugs	0,9 N (0.20 lbs.) min.

ELECTRICAL

- Nominal impedance	50 Ω	75 Ω
- Frequency range	0 - 2 GHz	0 - 2 GHz
- Voltage rating	At sea level = 250 Vrms	
- Insulation resistance	1000 MΩ minimum	
- Inner contact	4 mΩ max.	6mΩ typical max.
- Outer contact	2,5 mΩ max.	
- Reflection coefficient (f = 1 GHz)	0,05 max.	0,1 max

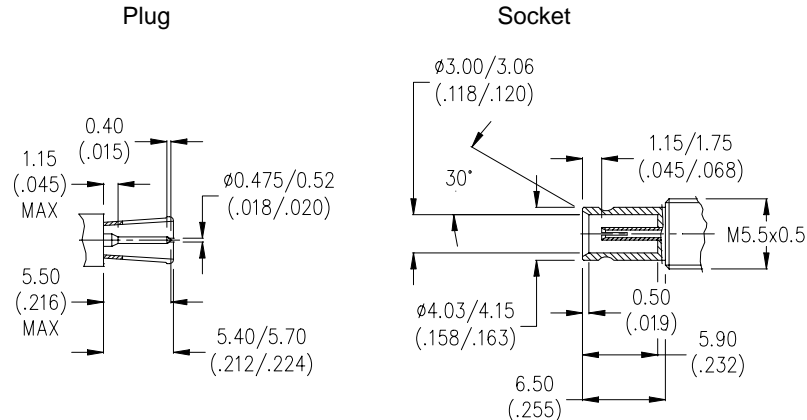
ENVIRONMENTAL

- Temperature rating	-40°C to 85°C
----------------------	---------------

GENERAL

- Connector durability	500 matings minimum
- Standards	CECC 22230, DIN 47297

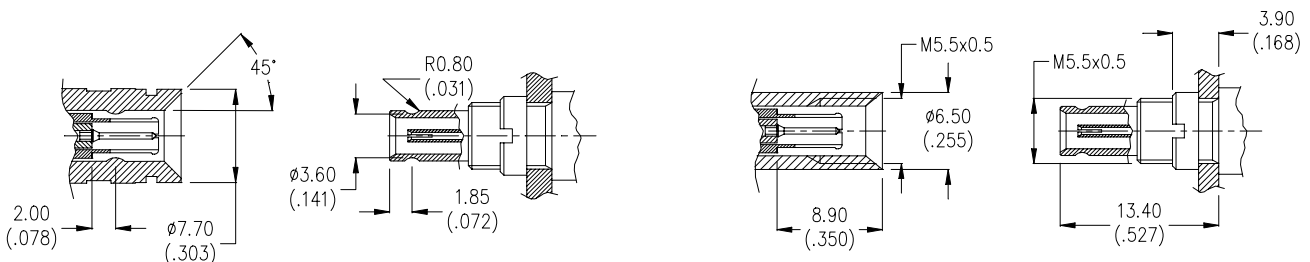
MATING DIMENSIONS



COUPLING TYPES

Standard Push-Pull (other types: screw, snap-on, slide-in available on request)

Screw type

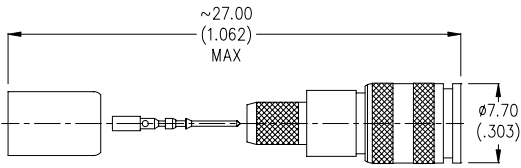


1.0/2.3 CONNECTORS

STRAIGHT PLUGS & SOCKETS 50 Ω

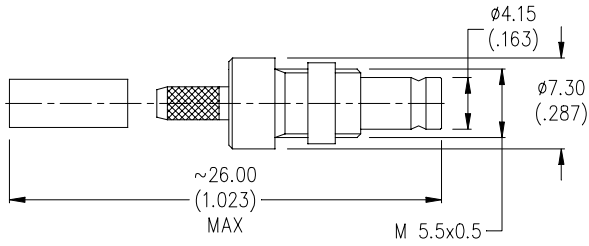


50 Ω STRAIGHT FULL CRIMP PUSH-PULL PLUGS



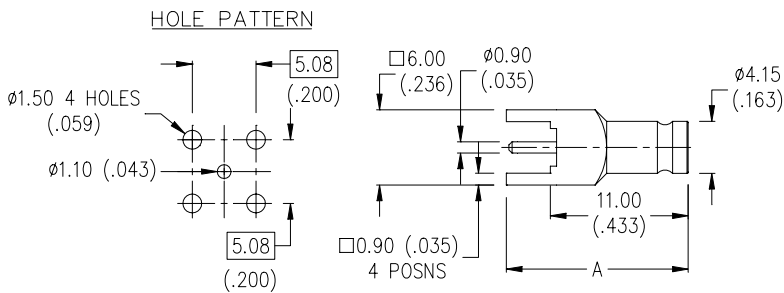
CABLE TYPE	OUTER DIA.	PART NUMBER
RG58/U	4,95	100.511.211
RG316/U	2,49±0,1	100.511.212

50 Ω STRAIGHT FULL CRIMP BULKHEAD SOCKETS



CABLE TYPE	OUTER DIA.	PART NUMBER
RG58/U	4,95	100.711.211
RG316/U	2,49±0,1	100.711.212

50 Ω STRAIGHT PCB SOCKETS



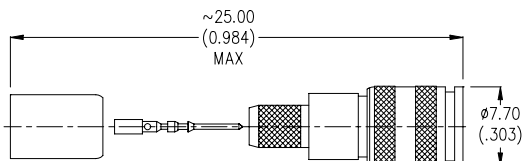
A DIMENSION	PART NUMBER
14,5 (.570)	100.831.001
15,5 (.610)	100.831.003

1.0/2.3 CONNECTORS

STRAIGHT & RIGHT ANGLE CRIMP PLUGS 75 Ω

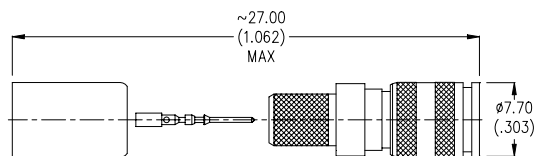


75 Ω STRAIGHT FULL CRIMP PLUGS



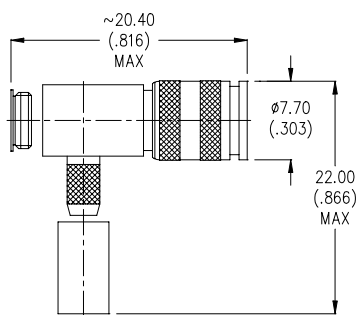
CABLE TYPE	OUTER DIA.	PART NUMBER INDENT CRIMP	PART NUMBER 1.2 SQUARE CRIMP
ST212	3,10±0,1	100.511.251	100.511.232
BT3002 – TZC75024	3,55±0,15	100.511.253	100.511.236
RA7000	4,40±0,1	100.511.254	100.511.241
B 0,25/1,45	2,60	100.511.255	
HFE2290	3,40±0,2	100.511.256	
RG179 B/U – RA8000	2,54±0,127	100.511.257	100.511.231
FLEX 2	2,90 max	100.511.258	100.511.237
FLEX 3	3,60±0,1	100.511.259	100.511.238
2YCY 0,4/2,5	3,80±0,3	100.511.260	100.511.245
2,5C-2V	4,00±0,5	100.511.261	100.511.244
LA910/34	3,90	100.511.262	
2YCCY 0,4/2,5	4,50		100.511.243

75 Ω STRAIGHT FULL CRIMP PLUGS



CABLE TYPE	OUTER DIA.	PART NUMBER INDENT CRIMP	PART NUMBER 1.2 SQUARE CRIMP
ST214	5,90 max	100.511.263	100.511.233
BT2003	6,70	100.511.264	
BT5000	5,65±0,1	100.511.265	
TZC75005	5,60±0,2	100.511.266	
A 0,4/2,4	4,07	100.511.267	
FLEX 5	4,70±0,1	100.511.268	100.511.239
FLEX 7	7,40±0,6	100.511.269	
3C-2V	5,80±0,5	100.511.270	100.511.235

75 Ω RIGHT ANGLE SOLDER CRIMP PLUGS



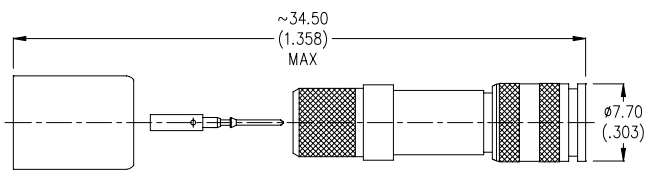
CABLE TYPE	OUTER DIA.	PART NUMBER
ST212	3,10±0,1	100.512.101
ST214	5,80±0,1	100.512.103
BT2003	6,70	100.512.109
BT3002 – TZC75024	3,55±0,15	100.512.110
BT5000	5,65±0,1	100.512.115
RA7000	4,40±0,1	100.512.104
RG179	2,54	100.512.100

1.0/2.3 CONNECTORS

STRAIGHT & RIGHT ANGLE TYPE 54 CRIMP PLUGS 75 Ω

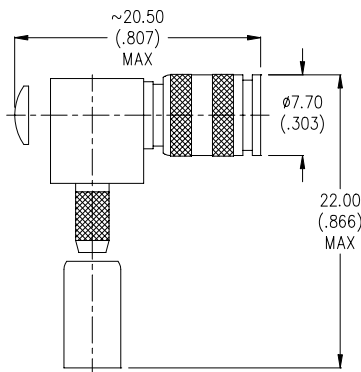


75 Ω STRAIGHT FULL CRIMP PLUGS



CABLE TYPE	OUTER DIA.	PART NUMBER
BT2003	6,70	100.511.291
BT3002	3,55±0,15	100.511.292
BT5000	5,65±0,1	100.511.293
RA7000	4,40±0,1	100.511.294
RA8000 – RG179 B/U	2,75	100.511.295

75 Ω RIGHT ANGLE SOLDER CRIMP PLUGS



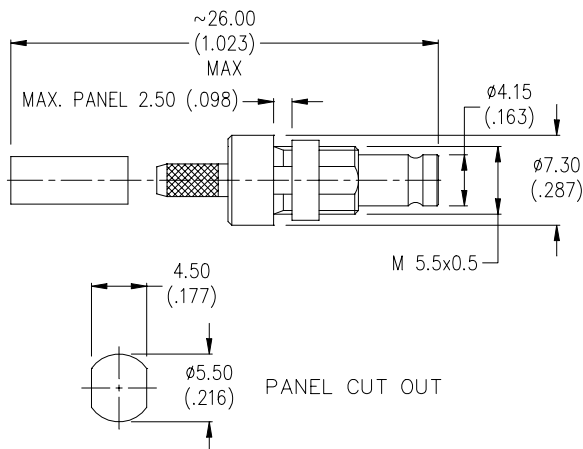
CABLE TYPE	OUTER DIA.	PART NUMBER
BT2003	6,70	100.511.131
BT3002	3,55±0,15	100.511.132
BT5000	5,65±0,1	100.511.133
RA7000	4,40±0,1	100.511.134
RA8000 – RG179 B/U	2,75	100.511.135

1.0/2.3 CONNECTORS

STRAIGHT & RIGHT ANGLE SOCKETS 75 Ω

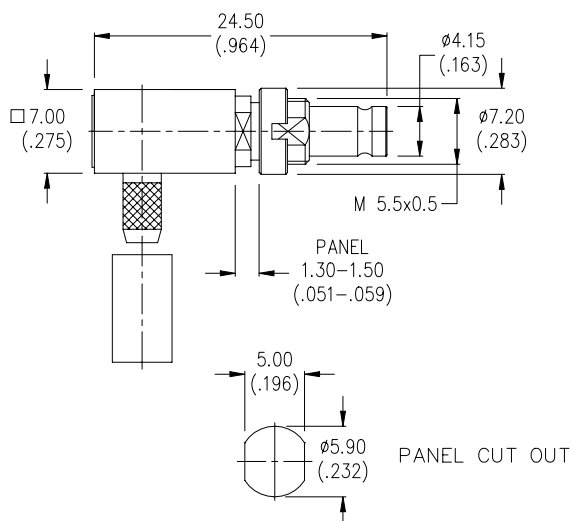


75 Ω STRAIGHT BULKHEAD FULL CRIMP SOCKETS



CABLE TYPE	OUTER DIA.	PART NUMBER
ST212	3,10±0,1	100.711.252
ST214	5,80±0,1	100.711.253
BT2003	6,70	100.711.254
BT3002	3,55±0,15	100.711.255
BT5000	5,65±0,1	100.711.256
RA7000	4,40±0,1	100.711.257
TZC75005	5,60±0,2	100.711.258
A 0,4/2,4	4,07	100.711.255
B 0,25/1,45	2,60	100.711.260
HFE2290	3,40±0,2	100.711.261
RG179 B/U – RA8000	2,54	100.711.262
FLEX 2	2,90 max	100.711.263
FLEX 3	3,60±0,1	100.711.264
FLEX 5	4,70±0,1	100.711.265
FLEX 7	7,40±0,4	100.711.266
LA 910/34	3,9	100.711.267
2,5C-2V	4,00±0,5	100.711.268
3C-2V	5,80±0,5	100.711.269
3C-2W	6,50±0,5	100.711.270

75 Ω RIGHT ANGLE BULKHEAD SOLDER CRIMP SOCKETS



CABLE TYPE	OUTER DIA.	PART NUMBER
BT3002	3,55±0,15	100.712.110
ST212	3,10±0,1	100.712.101
ST214	5,80±0,1	100.712.103
RG179 B/U – RA8000	2,54	100.712.100
RG59	6,10	100.712.115
FLEX 2	2,90 max	100.712.105
FLEX 3	3,60±0,1	100.712.106

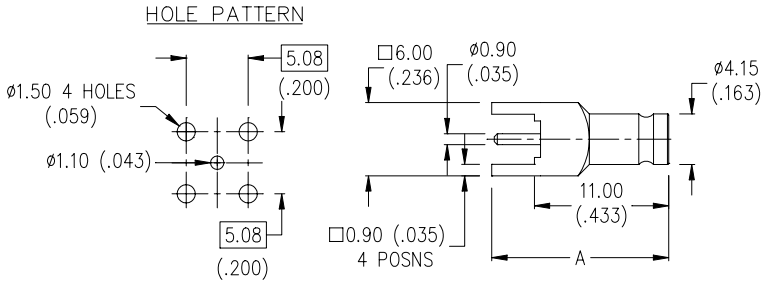
1.0/2.3 CONNECTORS

STRAIGHT & RIGHT ANGLE PCB SOCKETS 75 Ω



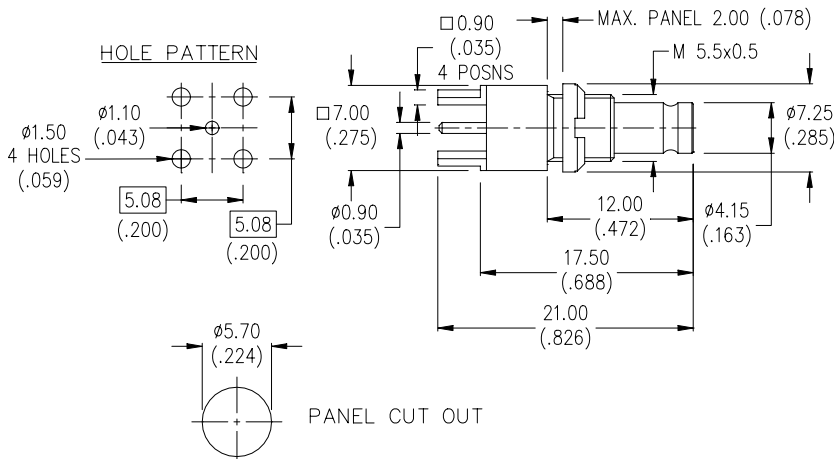
75 Ω STRAIGHT PCB SOCKETS

A DIMENSION	PART NUMBER
14,5 (.571)	100.831.011
15,5 (.610)	100.831.013



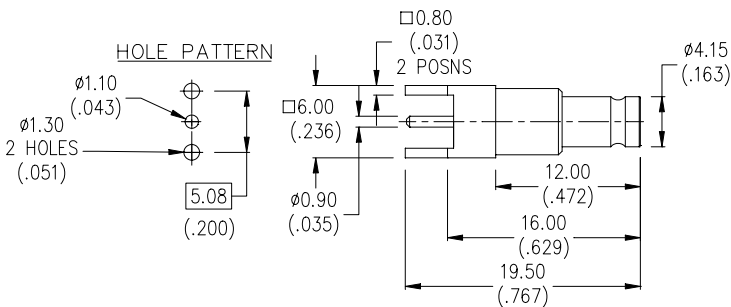
75 Ω STRAIGHT PCB BULKHEAD SOCKETS

100.731.011



75 Ω STRAIGHT PCB SOCKETS

100.831.021



1.0/2.3 CONNECTORS

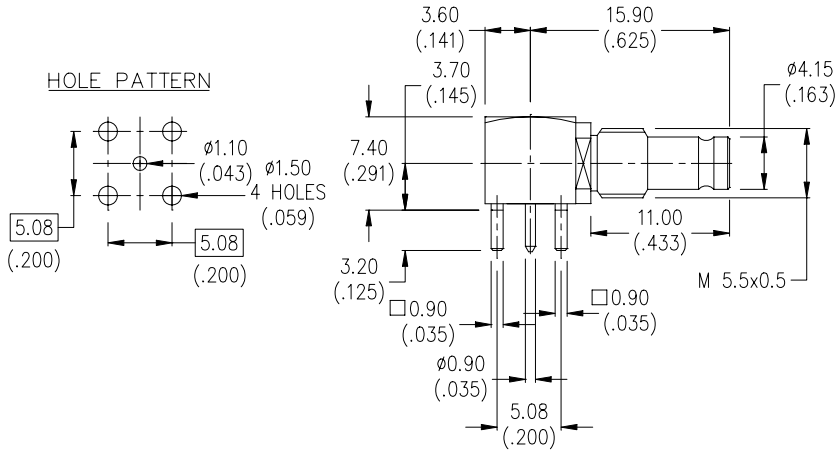
RIGHT ANGLE PCB SOCKETS 75 Ω



75 Ω RIGHT ANGLE PCB SOCKETS

PART NUMBER

100.732.031



1.0/2.3 CONNECTORS

PART NUMBER - PAGE REFERENCE CHART



PART NUMBER	PAGE	PART NUMBER	PAGE	PART NUMBER	PAGE	PART NUMBER	PAGE
100.511.131	7	100.711.266	8				
100.511.132	7	100.711.267	8				
100.511.133	7	100.711.268	8				
100.511.134	7	100.711.269	8				
100.511.135	7	100.711.270	8				
100.511.211	4	100.712.100	8				
100.511.212	4	100.712.101	8				
100.511.251	6	100.712.103	8				
100.511.253	6	100.712.105	8				
100.511.254	6	100.712.106	8				
100.511.255	6	100.712.110	8				
100.511.256	6	100.712.115	8				
100.511.257	6	100.731.011	9				
100.511.258	6	100.731.021	5				
100.511.259	6	100.732.021	5				
100.511.260	6	100.732.031	10				
100.511.261	6	100.831.001	4				
100.511.262	6	100.831.003	4				
100.511.263	6	100.831.011	9				
100.511.264	6	100.831.013	9				
100.511.265	6	100.831.021	9				
100.511.266	6						
100.511.267	6						
100.511.268	6						
100.511.269	6						
100.511.270	6						
100.511.271	6						
100.511.291	7						
100.511.292	7						
100.511.293	7						
100.511.294	7						
100.511.295	7						
100.512.100	6						
100.512.101	6						
100.512.103	6						
100.512.104	6						
100.512.109	6						
100.512.110	6						
100.512.115	6						
100.711.211	4						
100.711.212	4						
100.711.252	8						
100.711.253	8						
100.711.254	8						
100.711.255	8						
100.711.255	8						
100.711.256	8						
100.711.257	8						
100.711.258	8						
100.711.260	8						
100.711.261	8						
100.711.262	8						
100.711.263	8						
100.711.264	8						
100.711.265	8						