

"SD Series I.I."
X-ray Image Intensifier
E5804SD-P7A
Input Field: 230mm (9")
Output Image Diameter: 20mm

FEATURING:

- **High Resolution** : 48 Lp/cm
- **High Conversion Factor** : 28 $\frac{\text{cd/m}^2}{\mu\text{Gy/s}}$
- **High Contrast Ratio**
 - 10% area contrast** : 25:1
 - 10mm dia. contrast** : 16:1
- "SD Series I.I." E5804SD-P7A is used for medical radiographic diagnosis.
- This X-ray Image Intensifier is intended to be connected with IEC Class I equipment.

"SD Series I.I." E5804SD-P7A has been perfected by the integration of several aspects of advanced technology ;

The input window is of a thin metal plate, which has good X-ray transparency characteristics and reduces X-ray scatter.

It uses a thick input phosphor screen made with an extremely fine pillar shaped structure. This has high X-ray absorption and very high conversion efficiency. In addition, there is a thin output phosphor screen on a single thick-glass output window with an anti-reflective coating, offering very high contrast for small details, very low structure noise and high MTF characteristics.

The E5804SD-P7A, employing these manufacturing techniques, provides outstanding performance in resolution, brightness, contrast and noise.

The E5804SD-P7A is supplied in a housing, which provides mu-metal magnetic shielding and radiation shielding.

PERFORMANCE DATA

Item		
Central Resolution		48 Lp/cm typ.
Conversion Factor (Gx)		28 (cd/m ²) / (μGy/s) typ.
		240 (cd/m ²) / (μGy/s) typ.
Contrast Ratio	10 % area	25:1 typ.
	10 mm dia.	16:1 typ.
DQE (IEC standard)		65 % typ.

GENERAL DATA

➤ MECHANICAL:

Item	
Overall Length	341±5 mm
Maximum Diameter	302±2 mm
Nominal Entrance Field Size	230 mm
Useful Entrance Field Size	215 mm min.
Output Image Diameter	20±0.5 mm
Weight (approx.)	18 kg
Dimensional Outline	Refer to page 4

➤ POWER SUPPLY:

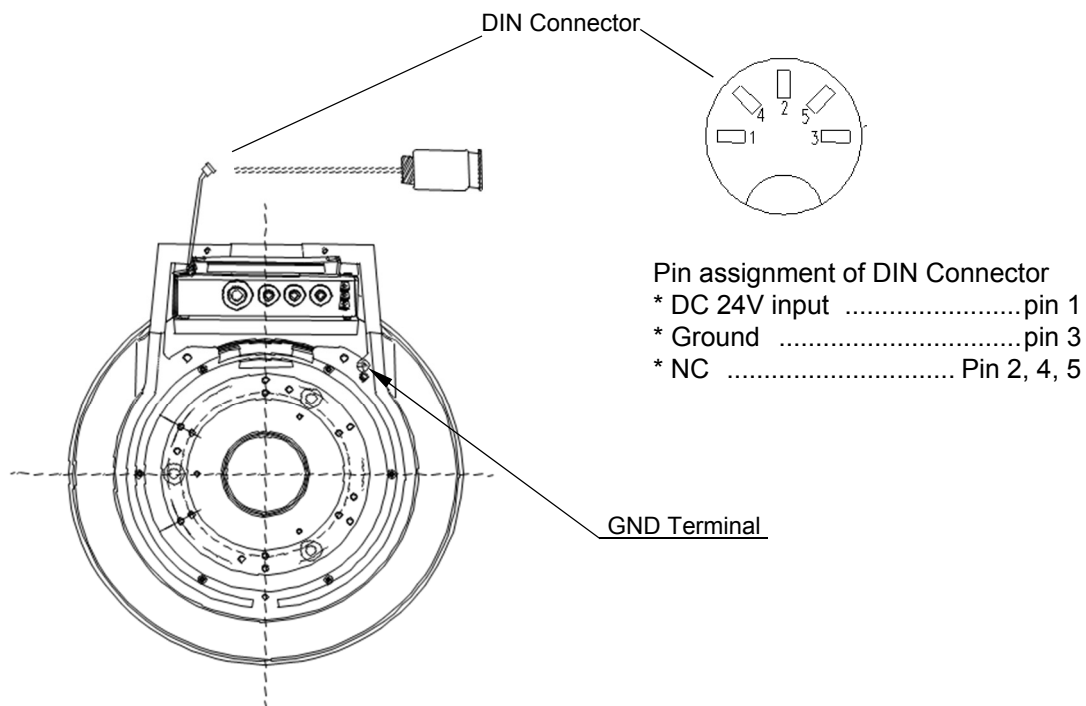
Item	
High Voltage Power Supply	
Input Voltage	24±1 Vdc

➤ ENVIRONMENTAL:

Item	Under delivery and stock	Under operating
Temperature	-15 to 45 °C	5 to 40 °C
Humidity	10 to 90 %	30 to 85 %
Pressure	50 to 106 kPa	70 to 106 kPa

ELECTRICAL WIRING AND CONNECTING

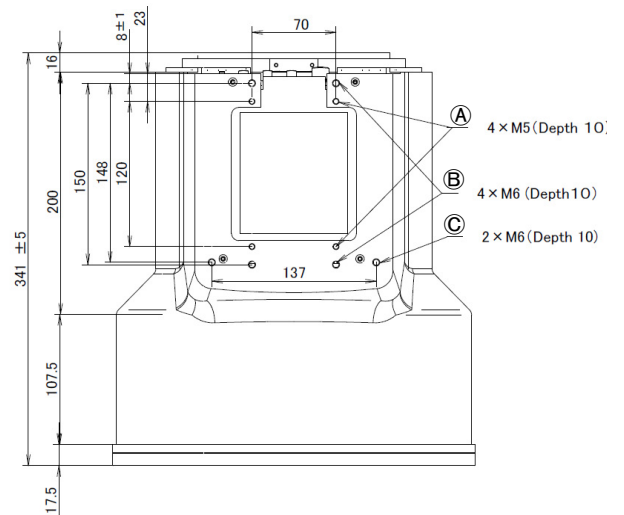
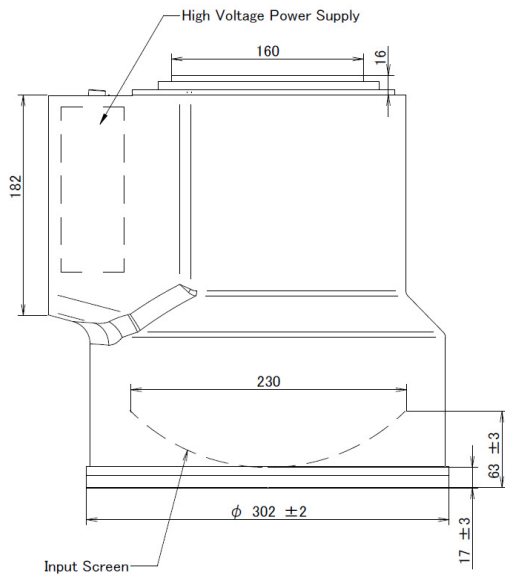
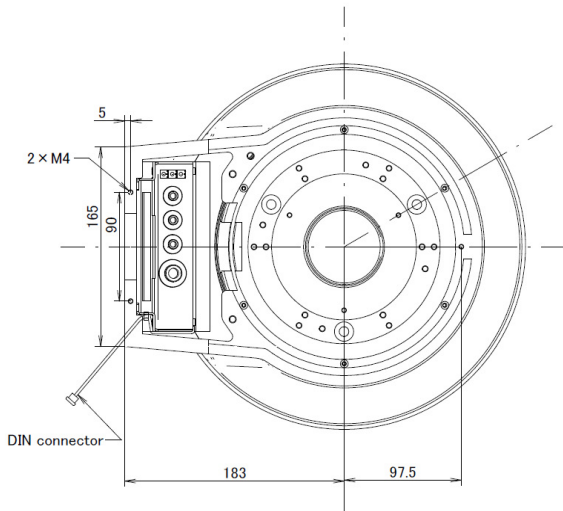
X-ray image intensifier is operated with 24Vdc input voltage applied to the high voltage power supply. Wiring and connecting are shown as follows.



DIN Connector.....one connector attached with each product

DIMENSIONAL OUTLINE

Unit: mm



Ⓐ, Ⓑ, Ⓒ: Screw holes for fixing to apparatus

