

AT-LP3XBT

Quick Start Guide
Automatic Wireless Turntable

Guide de démarrage rapide
Platine sans fil automatique

Kurzanleitung
Automatischer kabelloser Plattenspieler

Guida rapida
Giradischi wireless automatico

Guía de inicio rápido
Giradiscos inalámbrico automático

Guia de início rápido
Toca-discos automático sem fio

Краткое руководство по установке
Автоматический беспроводной проигрыватель

快速启动指南
自动无线唱盘机

快速入門指南
自動無線唱盤機

간편 사용 설명서
자동 무선 턴테이블

Audio-Technica Corporation
2-46-1 Nishi-naruse, Machida, Tokyo 194-8666, Japan
www.audio-technica.com
©2021 Audio-Technica Corporation
Global Support Contact: www.at-globalsupport.com

162502300-01-01

ver.1 2021.08.01



<https://www.audio-technica.com>

Support

For more information on how to use this product and troubleshoot any problems, refer to the user manual on the Audio-Technica website.

Support

Pour plus d'informations sur l'utilisation de ce produit et la résolution des problèmes, reportez-vous au manuel de l'utilisateur sur le site Web d'Audio-Technica.

Unterstützung

Weitere Informationen zum Gebrauch dieses Produkts und zur Behebung eventueller Probleme entnehmen Sie bitte der Bedienungsanleitung auf der Website von Audio-Technica.

Assistenza

Per maggiori informazioni sull'utilizzo del presente prodotto e per la risoluzione di eventuali problemi, fare riferimento al manuale dell'utente sul sito Audio-Technica.

Asistencia

Para más información sobre el uso de este producto y la resolución de problemas, consulte el manual de usuario en el sitio web de Audio-Technica.

Suporte

Para obter mais informações sobre como usar este produto e solucionar qualquer problema, consulte o manual do usuário no site da Audio-Technica.

Техническая поддержка

Для получения дополнительной информации о том, как использовать этот продукт и устранять любые неисправности, обратитесь к руководству пользователя на веб-сайте Audio-Technica.

支持信息

关于如何使用本产品及解决各种问题的详细信息, 请参阅“铁三角”网站上的用户手册。

支援資訊

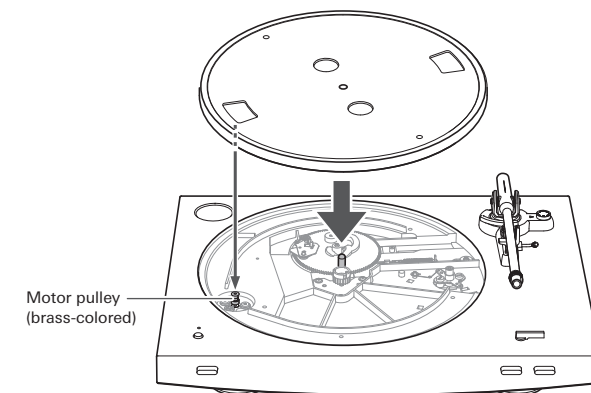
有關本產品的使用方法以及各種問題的故障排除方法, 請參閱「鐵三角」網站上的使用說明書。

지원

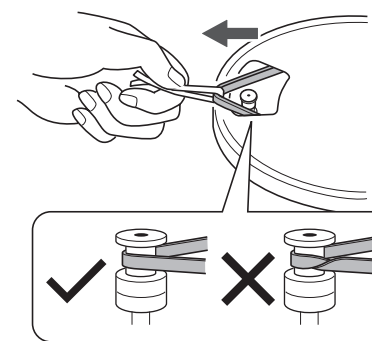
본 제품의 사용법 및 문제 해결에 관한 자세한 사항은 Audio-Technica 웹사이트의 사용자 설명서를 참조하십시오.

Preparation

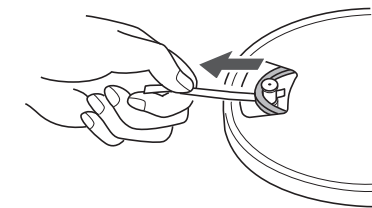
1 Set the platter.



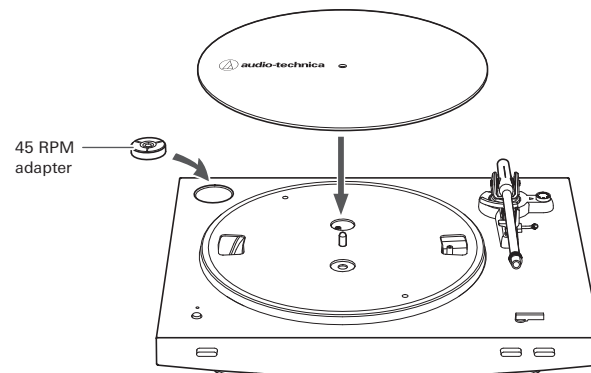
2 Attach the drive belt to the motor pulley (brass-colored).



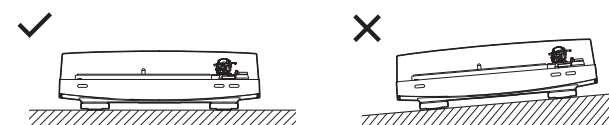
3 Remove the red ribbon from the drive belt.



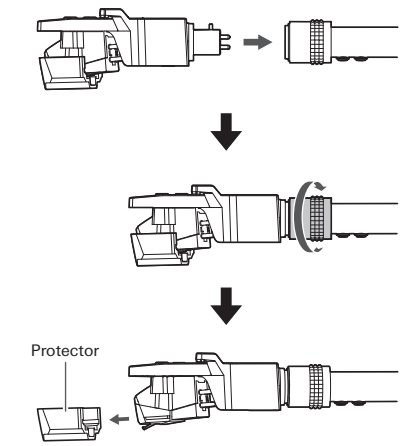
4 Set the felt mat.



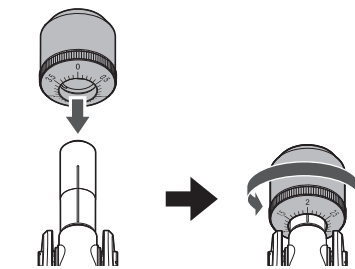
5 Mount the product on a level surface.



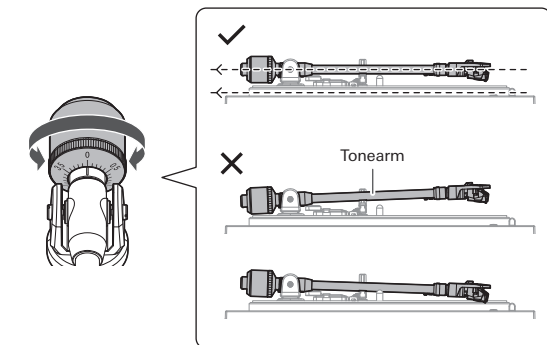
6 Insert the headshell into the tonearm, and remove the cartridge's protector.



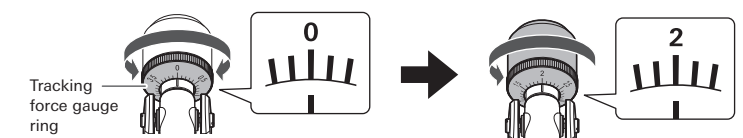
7 Attach the counterweight to the back of the tonearm, and slowly turn it counterclockwise (to the left).



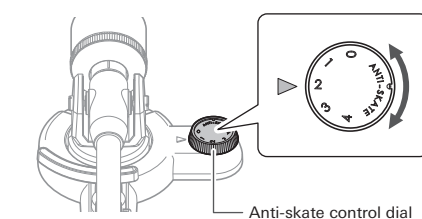
8 Turn the counterweight to adjust the tonearm's balance so that the tonearm is level when you release the headshell.



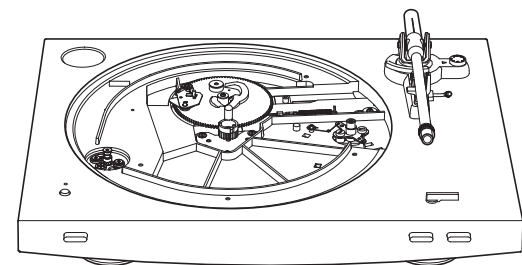
9 Set the tracking force gauge ring to the "0" position. After that, turn the counterweight and the tracking force gauge ring together counterclockwise (to the left) to the "2" position.



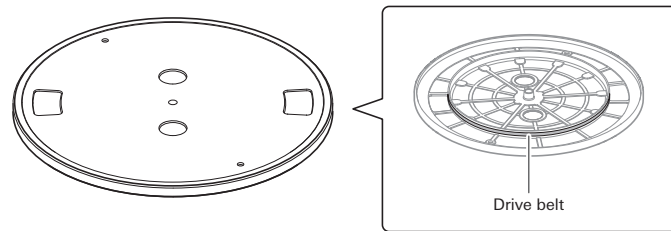
10 Set the anti-skate control dial to "2", the same value as the tracking force value.



Contents

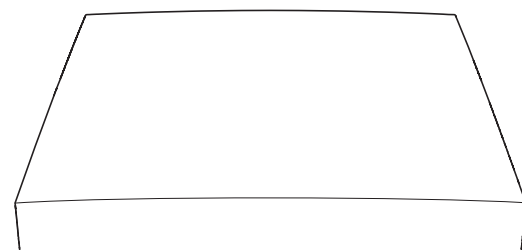


Turntable body

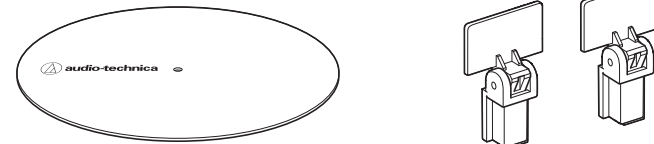


Platter (with drive belt)

Drive belt

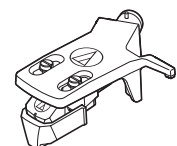


Dust cover



Felt mat

Dust cover hinges



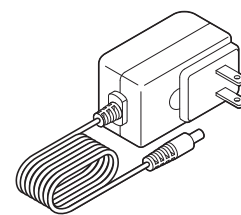
Headshell with VM stereo cartridge



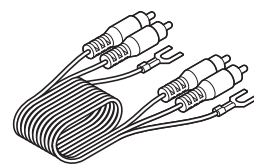
Counterweight



45 RPM adapter



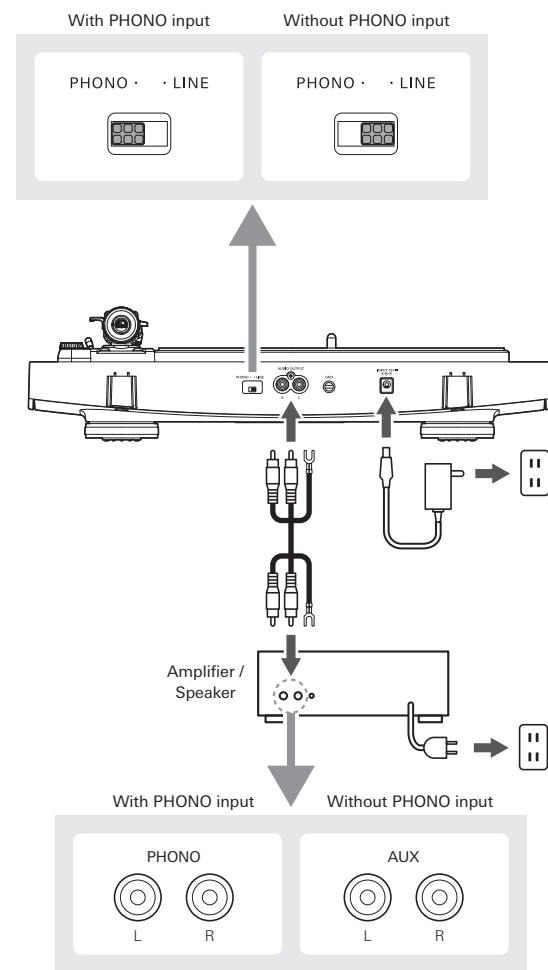
AC adapter



RCA audio cable

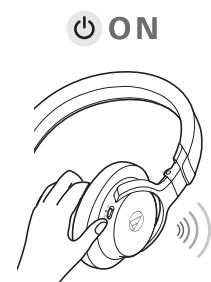
Wired Connection

This product has a built-in phono equalizer function. You can use the product, even if you do not have a phono amplifier or connectable equipment with a built-in phono amplifier, by connecting an active speaker, etc. Use the pre-amplifier selector switch to set the output.

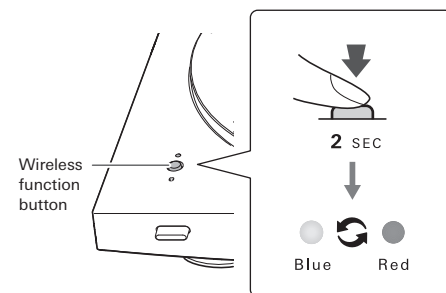


Wireless connection

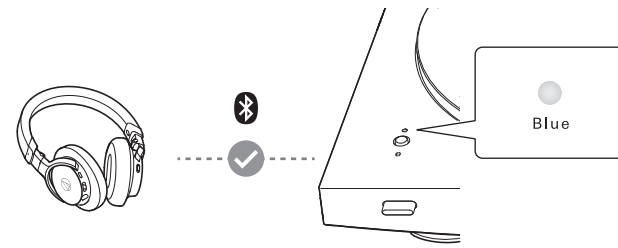
- 1 Set your Bluetooth headphones, speakers, etc. to pairing mode.



- 2 Press and hold the wireless function button.

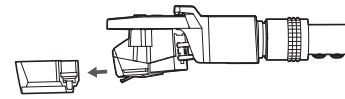


- 3 When pairing is complete, the indicator LED lights in blue.

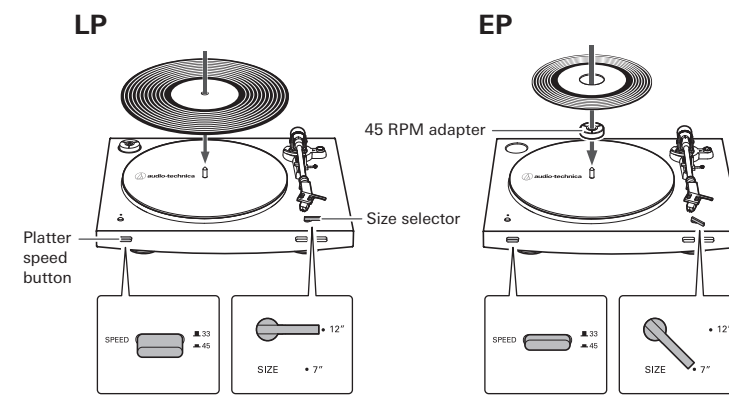


Play

- 1 Remove the cartridge's protector.

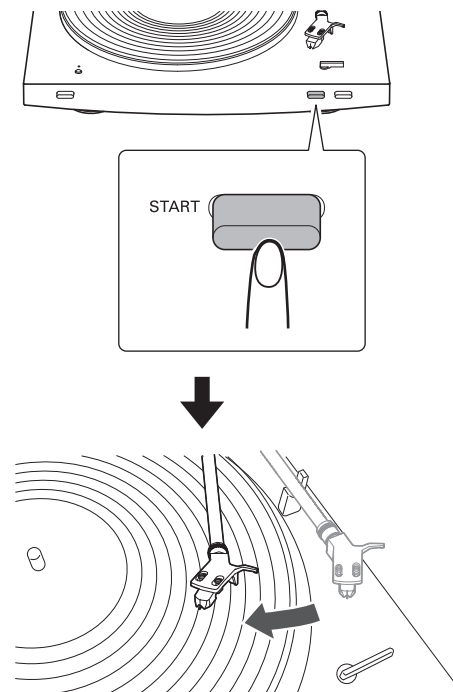


- 2 Place a record on the felt mat, select the size with the size selector, and then select the speed with the platter speed button.



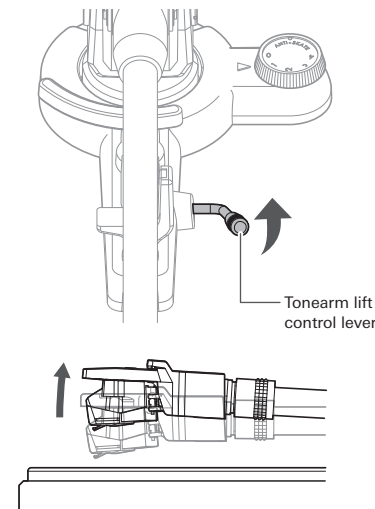
Auto

- 1 Press the START button.

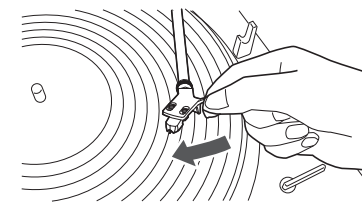


Manual

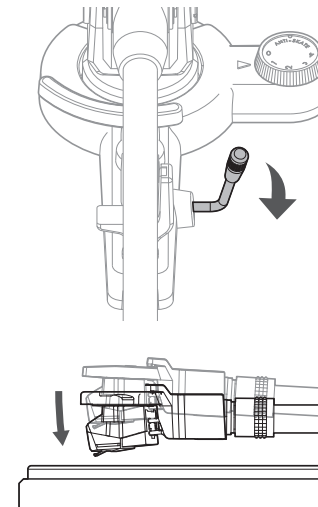
- 1 Raise the tonearm by lifting the tonearm lift control lever to the UP position.



- 2 Position the tonearm over the desired location (groove) on the record.

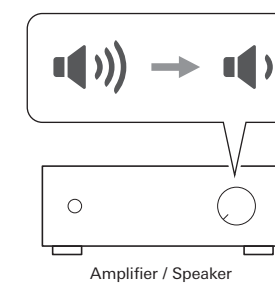


- 3 Lower the tonearm by moving the tonearm lift control lever to the DOWN position.

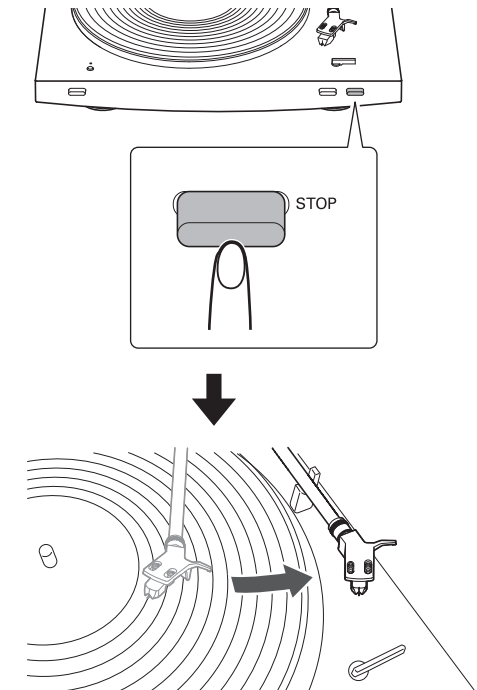


Stop

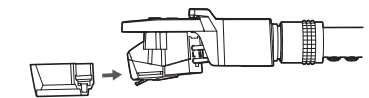
- 1 If the product is connected via a wired connection, lower the volume of the connected device (amplifier, etc.).



- 2 Press the STOP button.



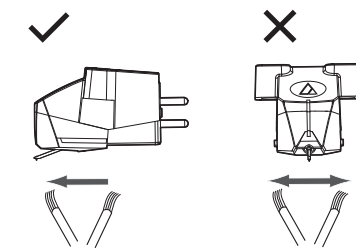
- 3 Attach the cartridge's protector.



Cleaning

For details about turntable and cartridge care accessories, visit <https://www.audio-technica.com>.

Stylus



Record

