

Inverter Controlled X-ray Generator TRIX-150L/S



【Main Features】

- TRIX Series is the stationary-typed X-ray Generators using a high frequency inverter control which realizes high output power and excellent stability
It also has a wide range of kV from soft X-ray region.
- Remote setting of kV and mA is possible.
- Continuous Exposure is possible.

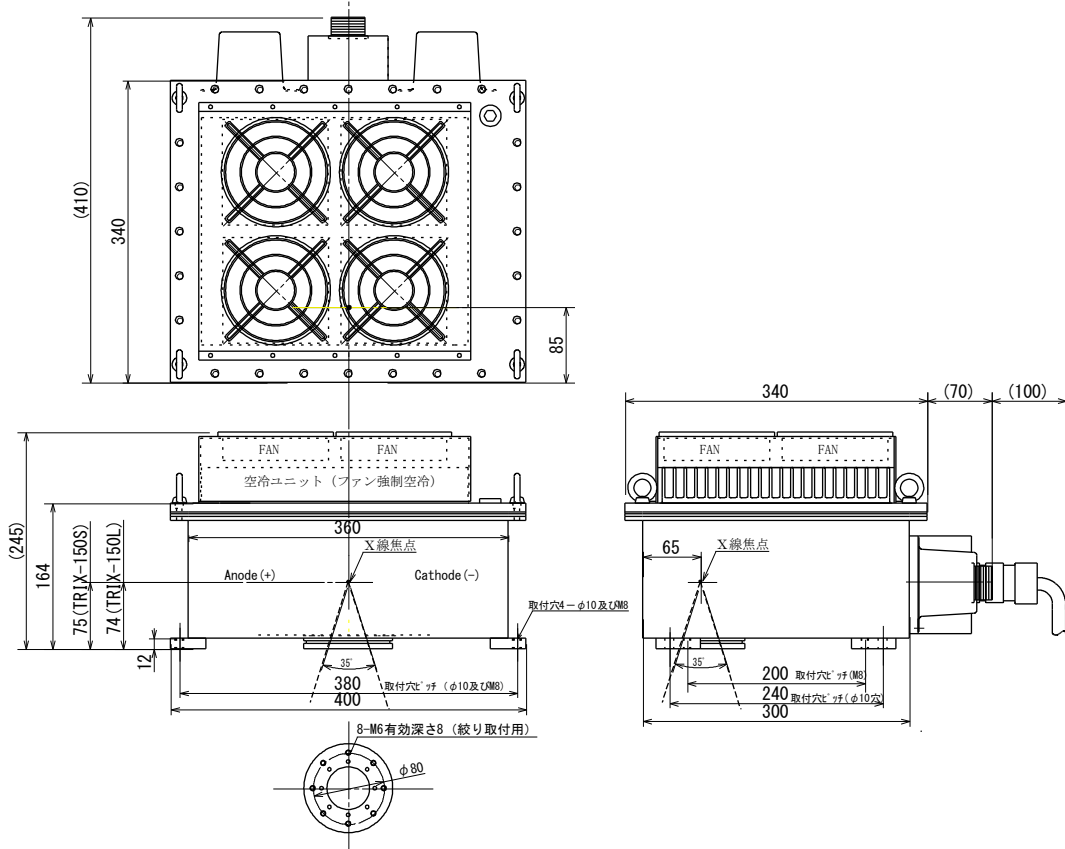
【Applications】

Industrial radiography equipment, Line sensor equipment, X-ray irradiation equipment, Fluoroscopic test equipment, CT equipment, etc.

【Specifications】

	TRIX-150L	TRIX-150S
Output : Tube Voltage Tube Current	30.0~150.0kV Large focus : 1.0~3.0mA Small focus : 0.5~2.0mA	30.0~150.0kV Large focus : 1.0~2.4mA Small focus : 0.5~1.4mA
Focus Size	Large focus : 1.5mm Small focus : 0.6mm	Large focus : 0.6mm Small focus : 0.3mm
Beam Angle	35°	
Inherent Filtration	1.75mm Be	1.00mm Be
High-tension Circuit	Inverter circuit with neutral grounding	
Insulation	Oil insulation	
Cooling	Forced air cooling (Blower cooling)	
Continuous Run	Continuous run possible up to oil temp. 60°C in Generator (Continuous run possible with ambient temp. under 25°C and output less than 300W)	
Safety Circuit	1. Emergency stop button switch 2. Protection circuits (Automatically function and display on operation panel) Protection circuit for tube over-voltage and over-current, Protection circuit for primary over-voltage and over-current, Trouble in filament control circuit, Trouble in voltage power, Thermo-switch	
Connectors	1. Interlock door switch input connector 2. X-ray ON signal output connector (relay contact) 3. Remote control connector Built-in/Remote switch, X-ray ON/OFF, kV-mA set (DC-V input)	
Radiation Leakage (outside of beam cone)	less than 2.6mGy/h	less than 2.6mGy/h
Input Power	AC90~110V or 180~220V selectable, 50/60Hz	
Usage Environment	Ambient Tem. : +5°C~+35°C, Relative Humidity : less than 85%(no dew)	
Storage Temp.	0°C~50°C	
Weight : Generator Controller	ca. 47kg ca. 15kg	ca. 47kg ca. 15kg
Accessories (Standard)	Power Cable(10m), Ground Cable(10m), Low-tension Cable(10m), Interlock Cable(10m), X-ray-ON Output Cable(10m), Remote-control Cable(5m), Fuse(2pcs), Power-source Key(1pc), Operation Manual	

【Outside Dimension】 X-ray Generator



X-ray Controller

