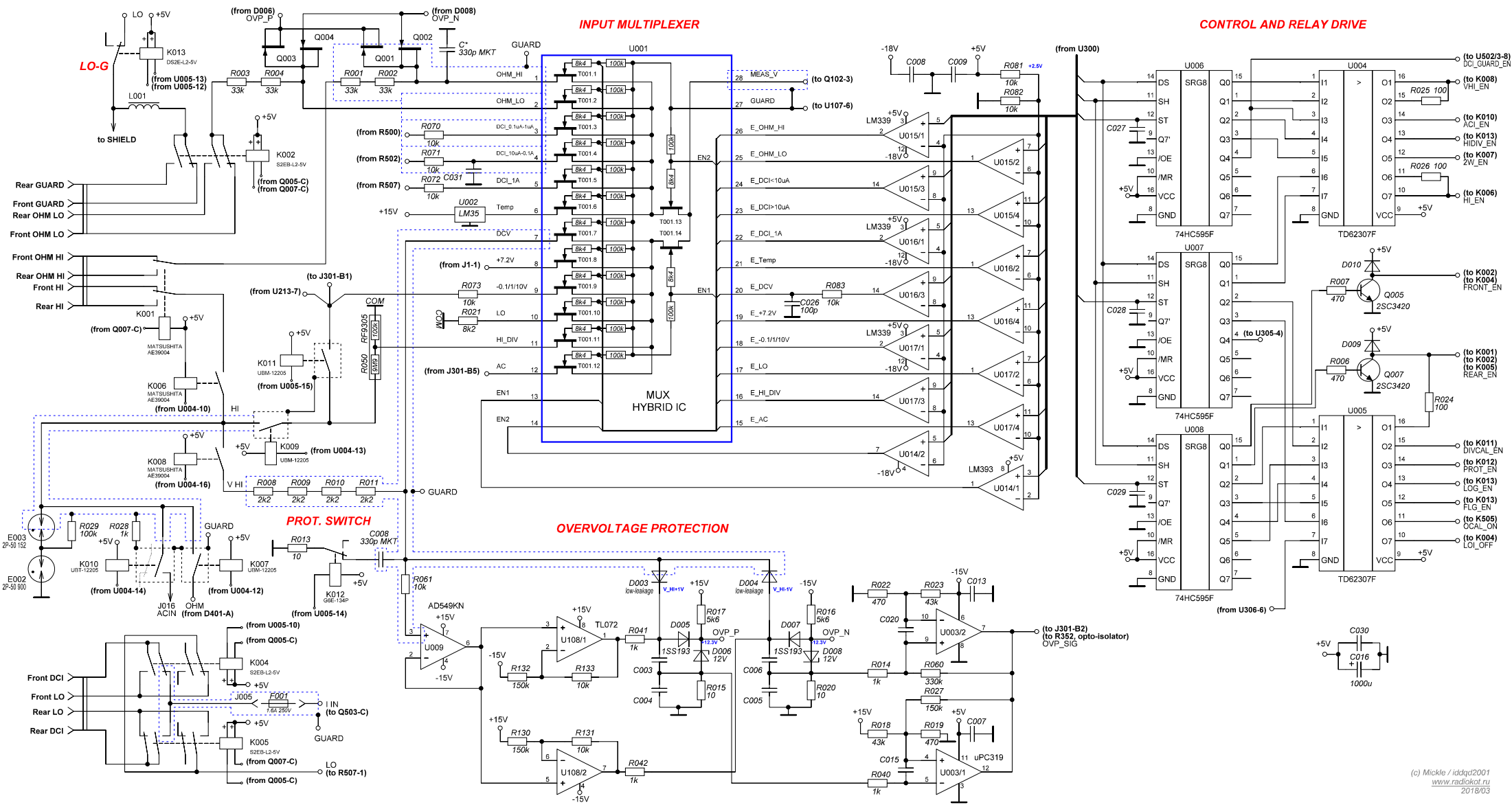
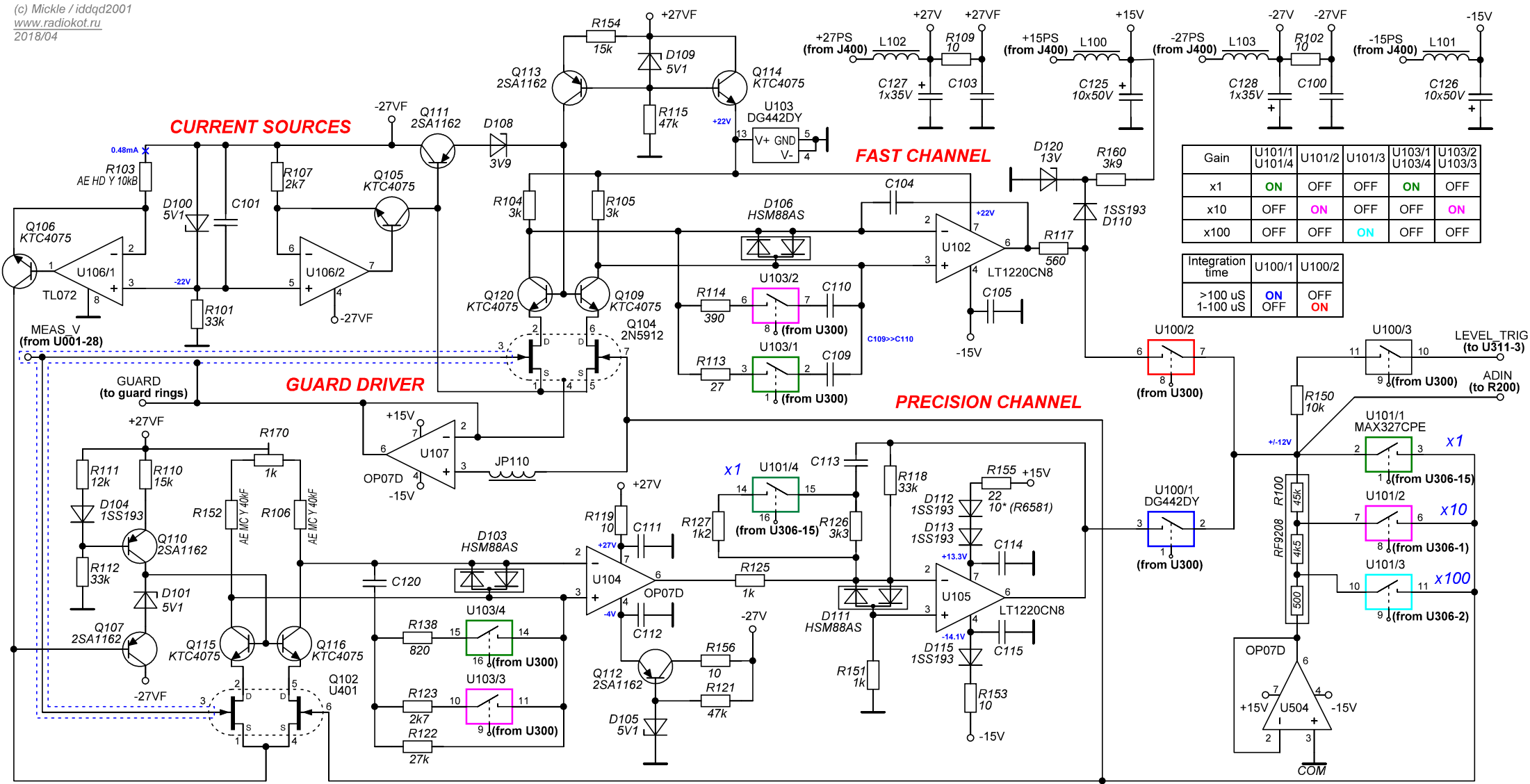


# INPUT SIGNAL SWITCHING



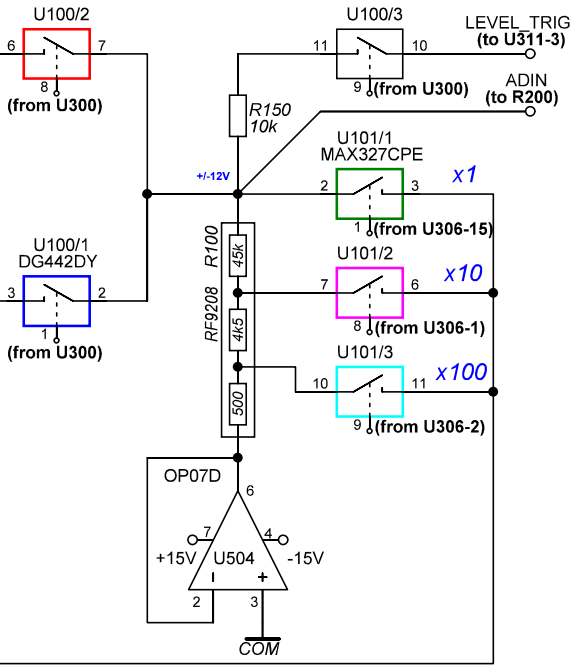
# DC INPUT AMPLIFIER

(c) Mickle / iddq2001  
www.radiokot.ru  
2018/04



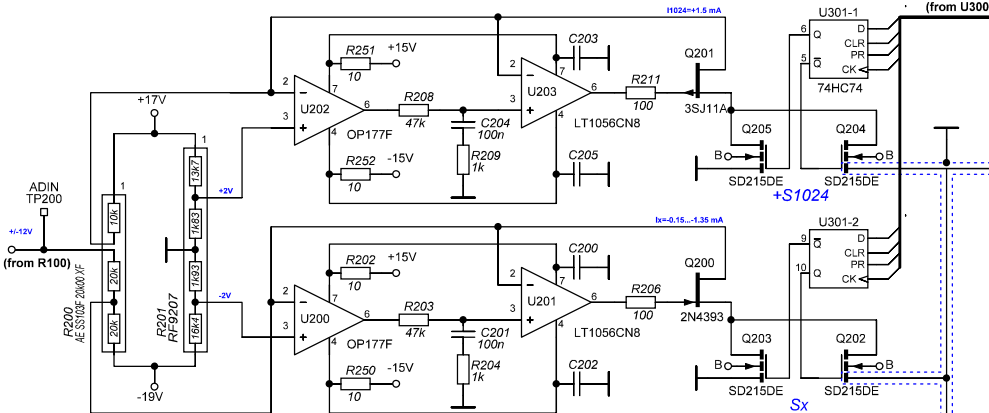
Gain	U101/1 U101/4	U101/2	U101/3	U103/1 U103/4	U103/2 U103/3
x1	ON	OFF	OFF	ON	OFF
x10	OFF	ON	OFF	OFF	ON
x100	OFF	OFF	ON	OFF	OFF

Integration time	U100/1	U100/2
>100 uS	ON	OFF
1-100 uS	OFF	ON

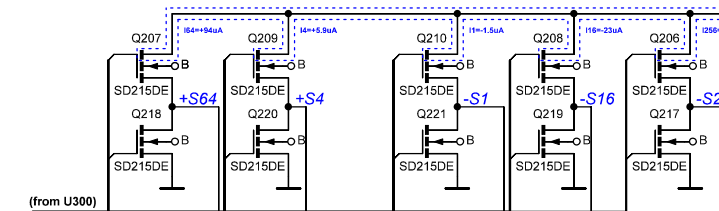


# ADC

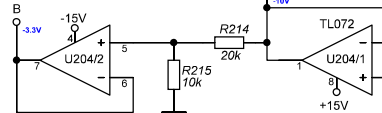
## VOLTAGE TO CURRENT CONVERTERS



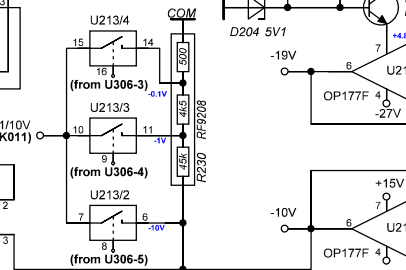
## RUNDOWN SOURCES



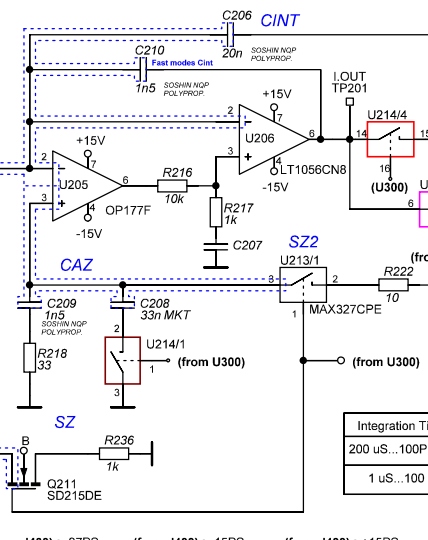
## MOSFET SUBSTRATE



## VOLTAGE ARTIFACTS

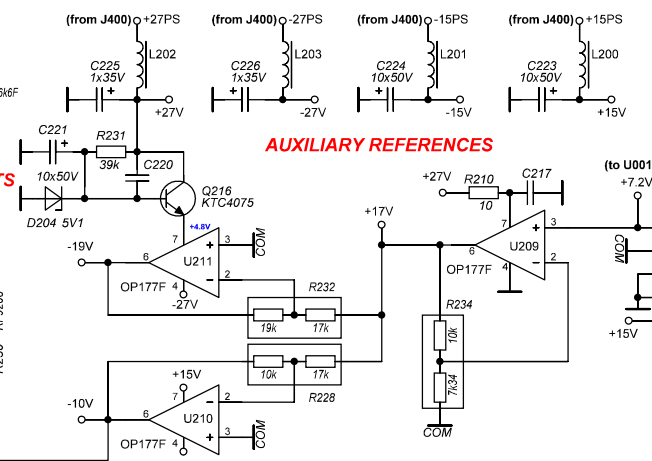


## INTEGRATOR

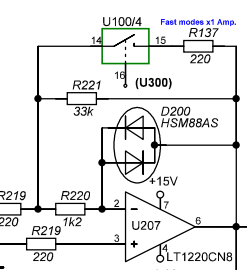


Integration Time	U214/1	U214/2	U214/3	U214/4	U100/4
200 uS...100PLC	ON	OFF	ON	ON	OFF
1 uS...100 uS	OFF	ON	OFF	OFF	ON

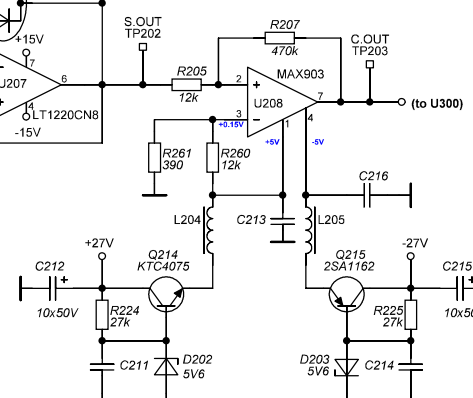
## AUXILIARY REFERENCES



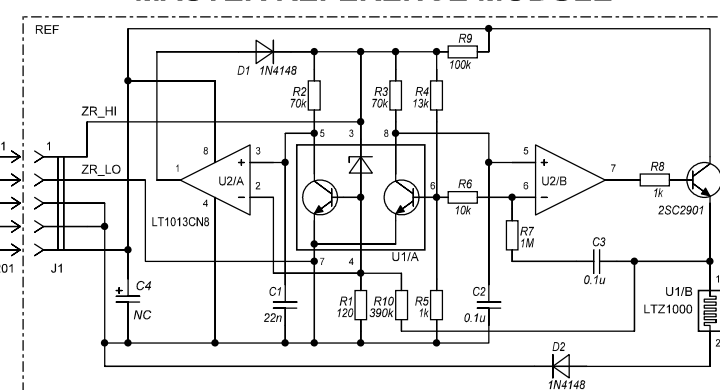
## x150 SLOPE AMPLIFIER



## COMPARATOR

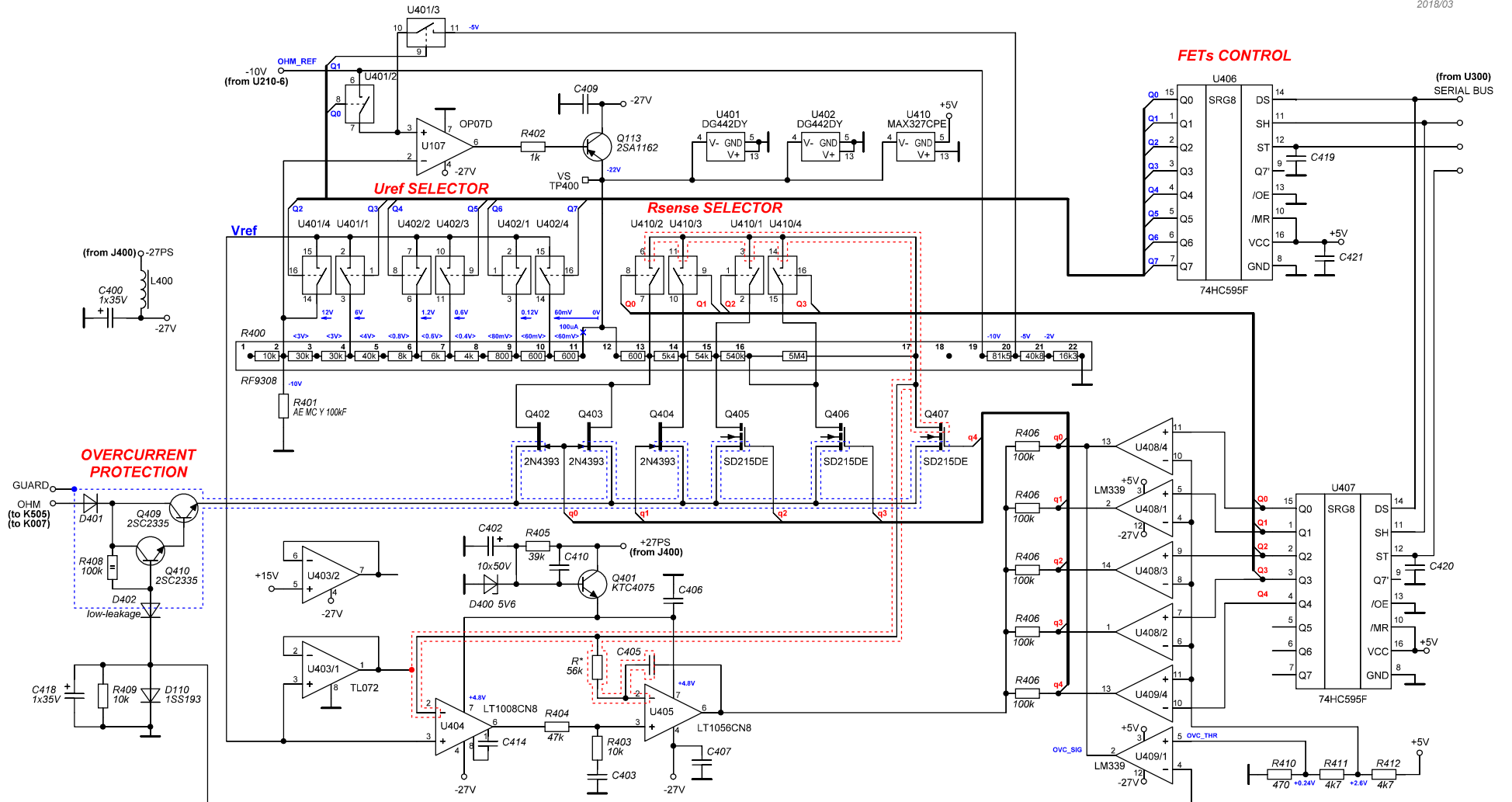


## MASTER REFERENCE MODULE



# CONSTANT CURRENT SINK

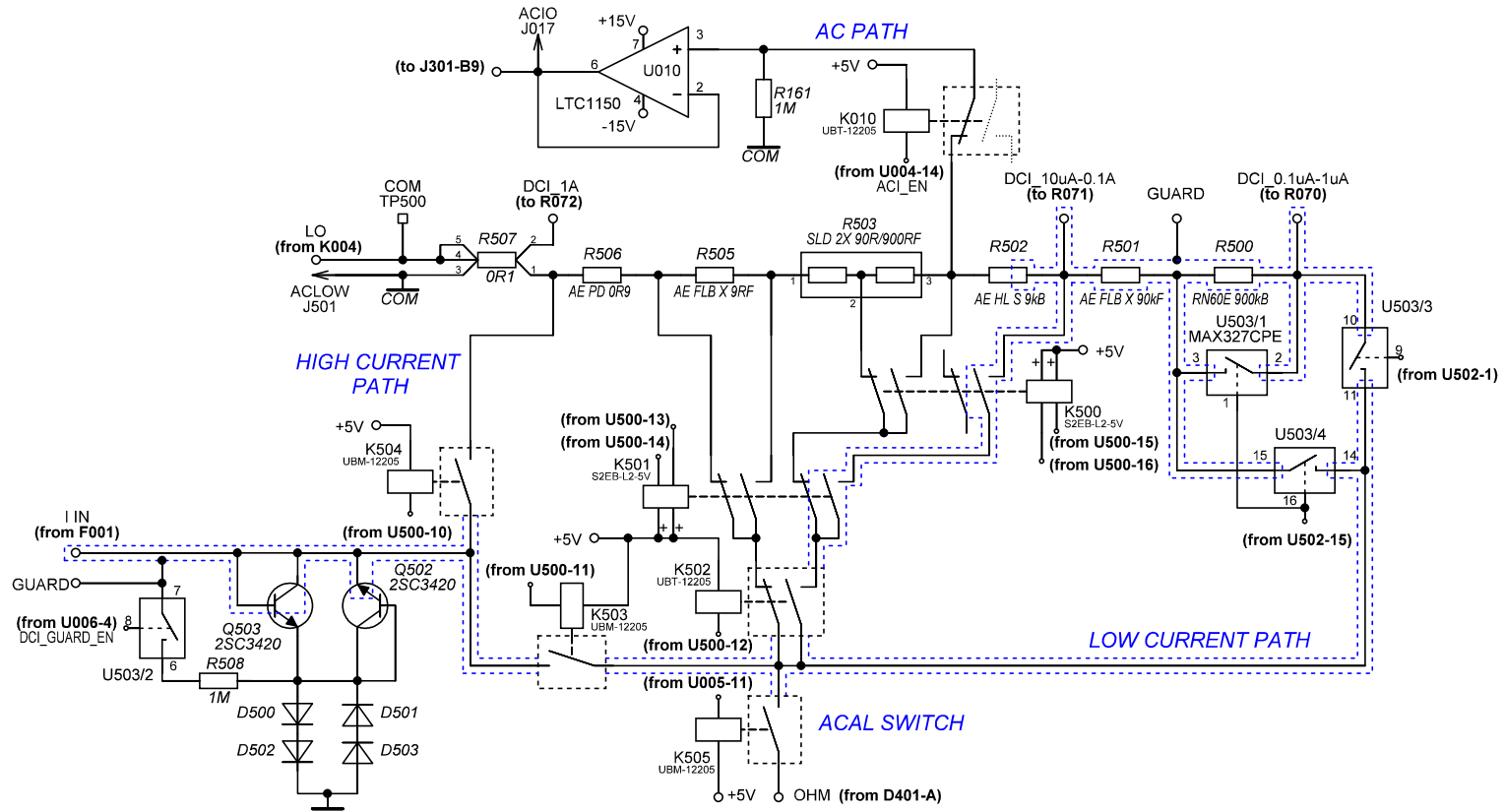
(c) Mickle / iddq2001  
www.radiokot.ru  
2018/03



OCOMP OFF		10 mA	1 mA	100 uA	10 uA	1 uA	100 nA	10 nA
U406	Q0 (1x)	1	1	1	1	1	1	1
	Q1 (2x)	0	0	0	0	0	0	0
	Q2 (12V)	0	0	0	0	0	0	0
	Q3 (6V)	1	1	1	1	1	0	0
	Q4 (1.2V)	0	0	0	0	0	0	0
	Q5 (0.6V)	0	0	0	0	0	1	0
	Q6 (0.12V)	0	0	0	0	0	0	0
Q7 (60mV)	0	0	0	0	0	0	1	
Vref	6V	6V	6V	6V	6V	0.6V	60mV	
U407	Q0 (600)	1	0	0	0	0	0	0
	Q1 (6k)	0	1	0	0	0	0	0
	Q2 (60k)	0	0	1	0	0	0	0
	Q3 (600k)	0	0	0	1	0	0	0
Q4 (6M)	0	0	0	0	1	1	1	
Rsense	600	6k	60k	600k	6M	6M	6M	

OCOMP ON		10 mA	1 mA	100 uA	10 uA	1 uA	100 nA	10 nA
U406	Q0 (1x)	1	1	1	1	1	1	1
	Q1 (2x)	0	0	0	0	0	0	0
	Q2 (12V)	0	0	0	0	0	0	0
	Q3 (6V)	1	1	1	1	1	0	0
	Q4 (1.2V)	0	0	0	0	0	0	0
	Q5 (0.6V)	0	0	0	0	0	1	0
	Q6 (0.12V)	0	0	0	0	0	0	0
Q7 (60mV)	0	0	0	0	0	0	1	
Vref	6V	6V	6V	6V	6V	0.6V	60mV	
U407	Q0 (600)	Square	0	0	0	0	0	0
	Q1 (6k)	0	Square	0	0	0	0	0
	Q2 (60k)	0	0	Square	0	0	0	0
	Q3 (600k)	0	0	0	Square	0	0	0
Q4 (6M)	0	0	0	0	1	1	1	
Rsense	600	6k	60k	600k	6M	6M	6M	

# CURRENT SHUNTS



# LEVEL TRIGGERING

