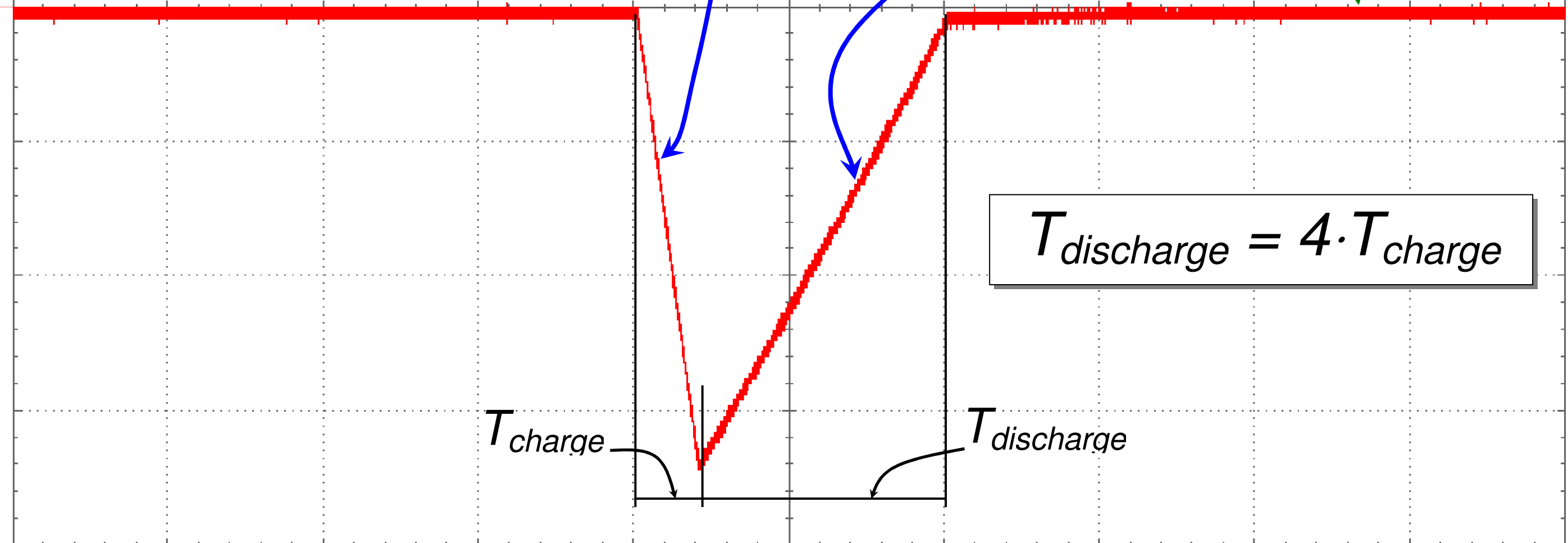
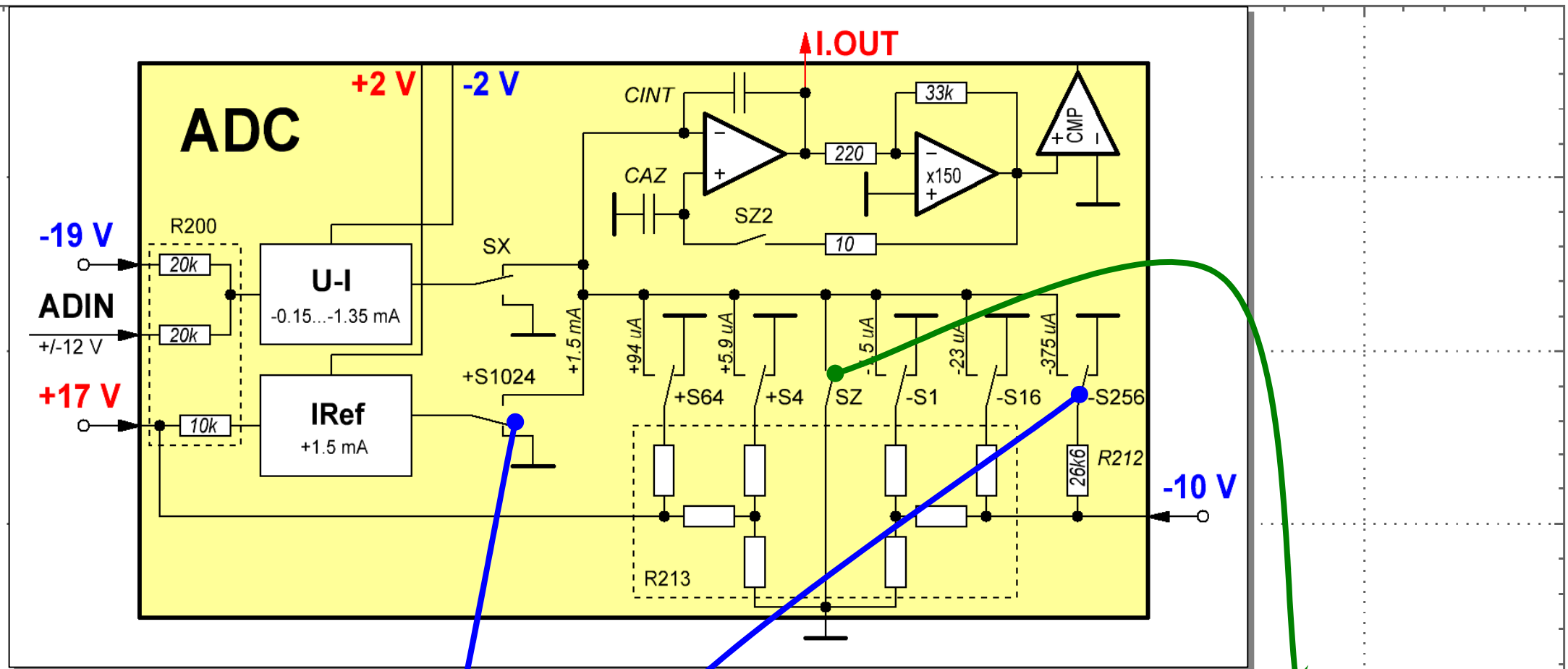
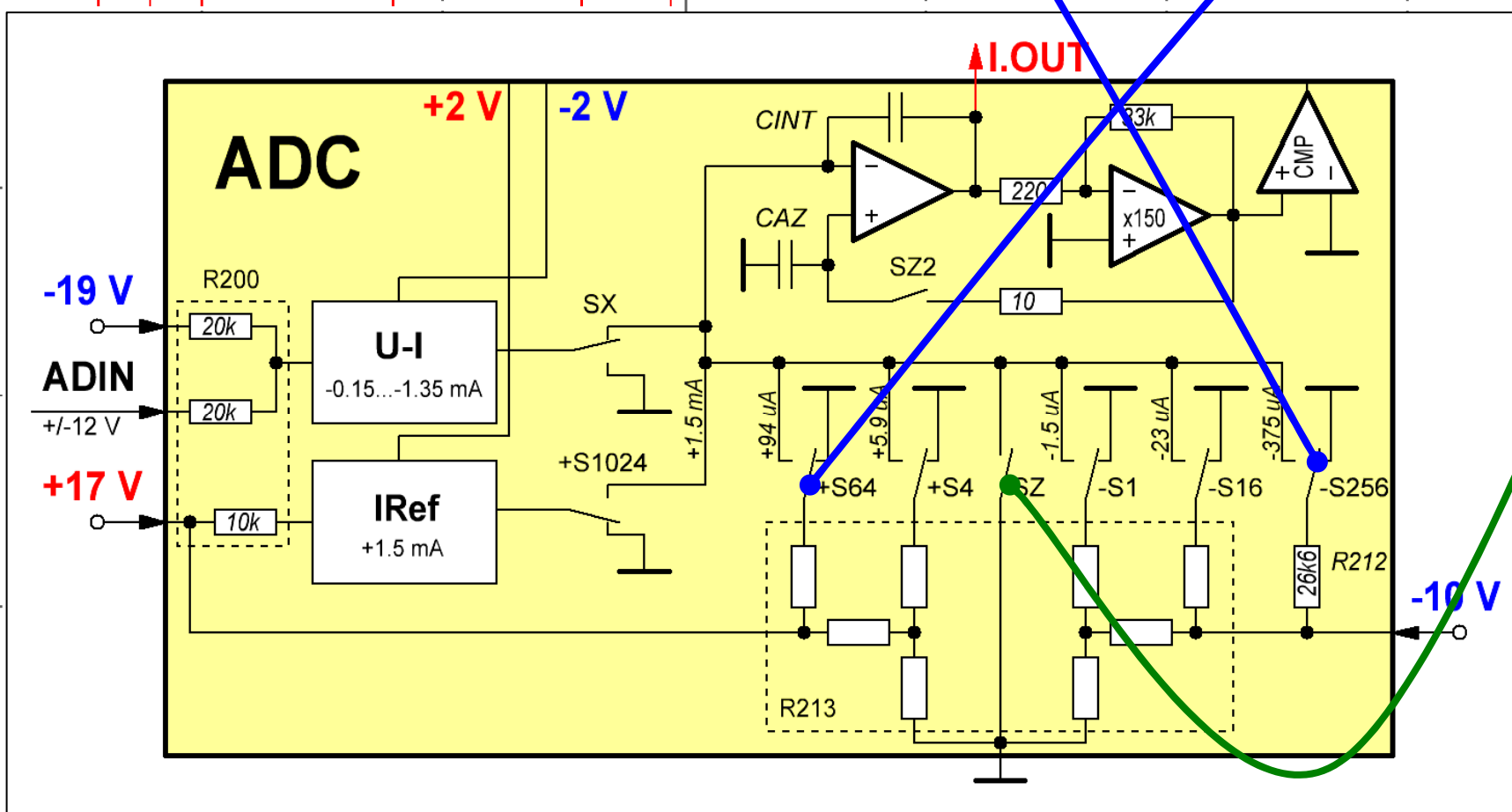
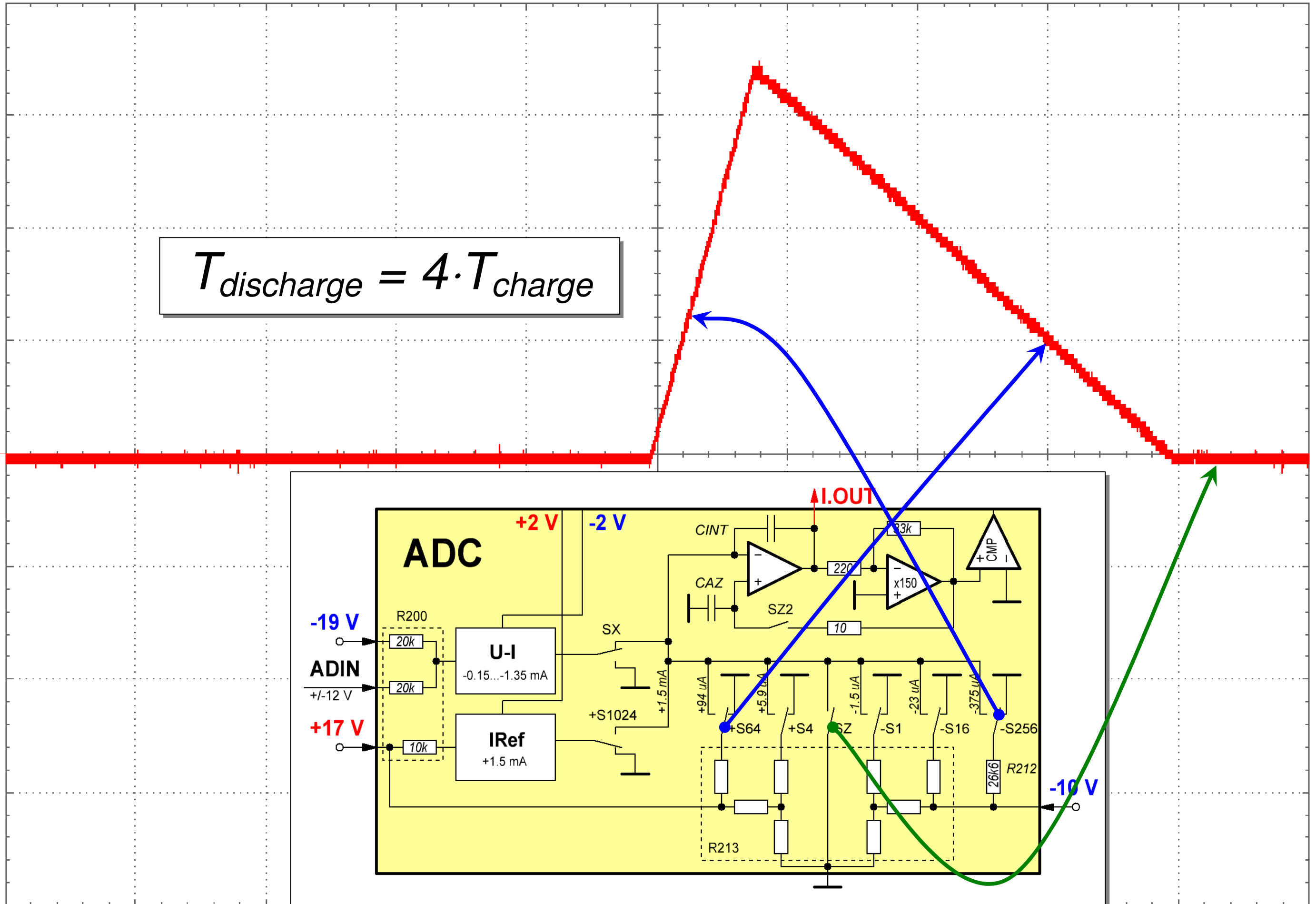


# A/D\_1 CHECK

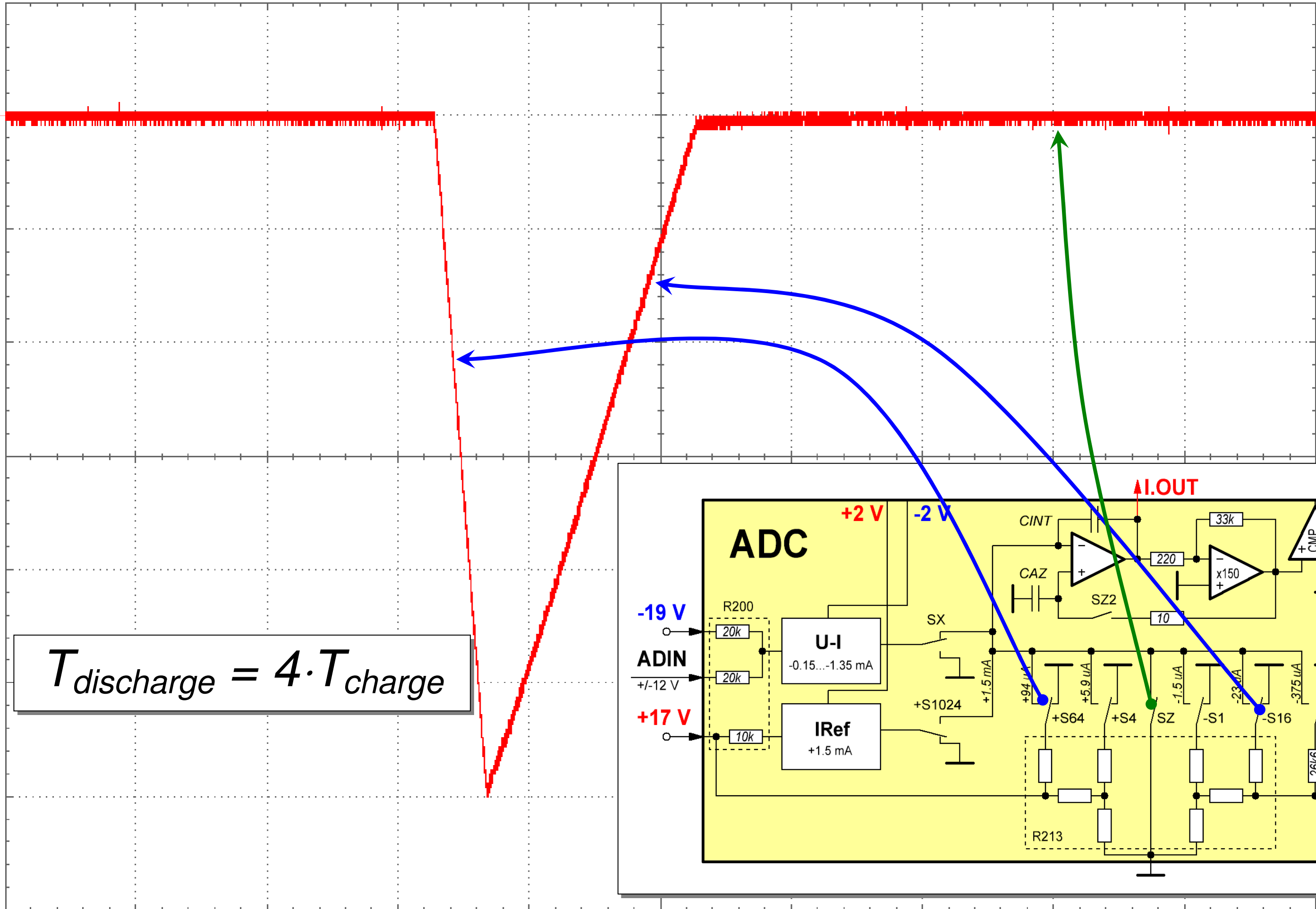


# A/D\_2 CHECK

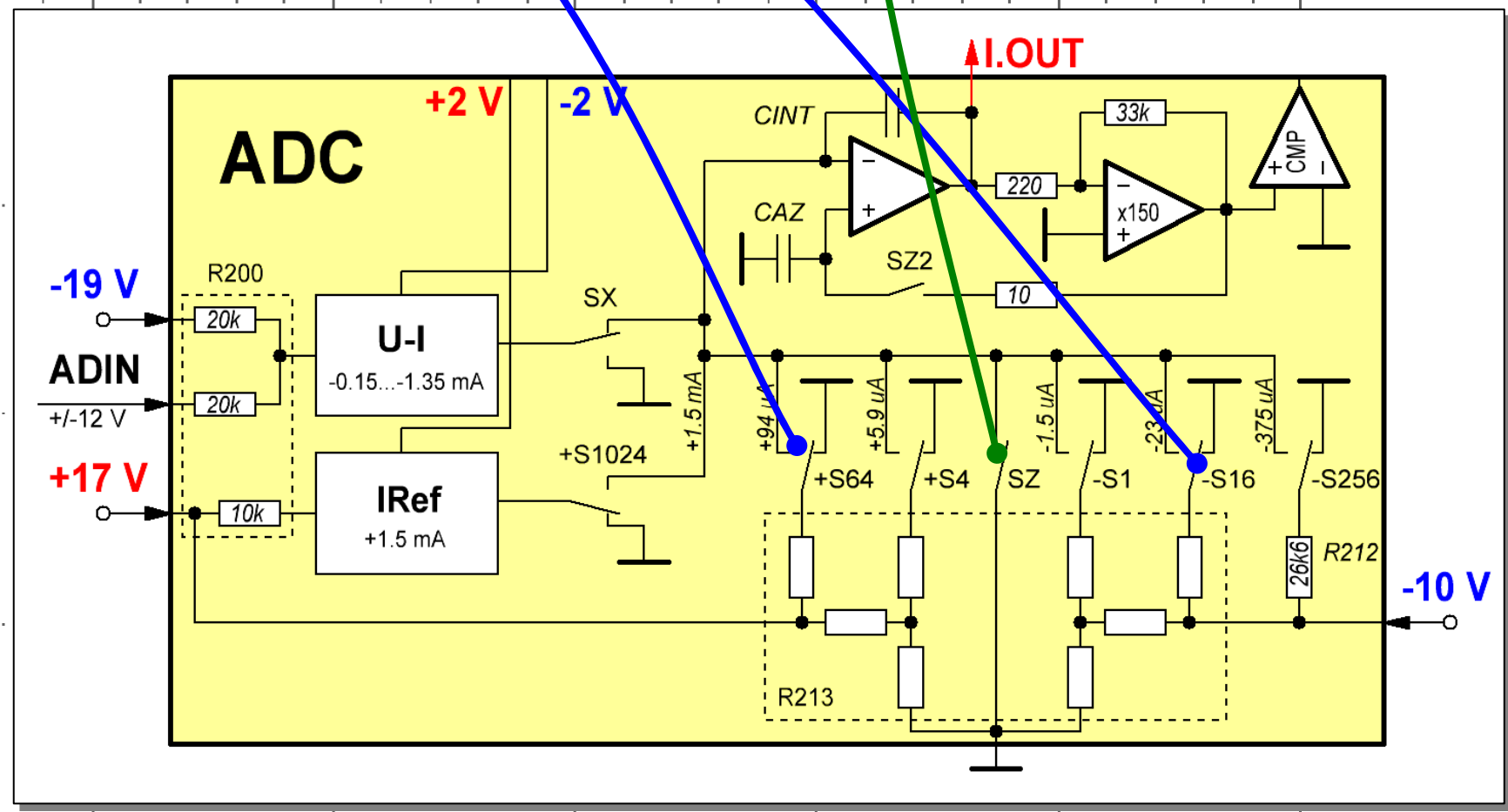
$$T_{discharge} = 4 \cdot T_{charge}$$



# A/D\_3 CHECK

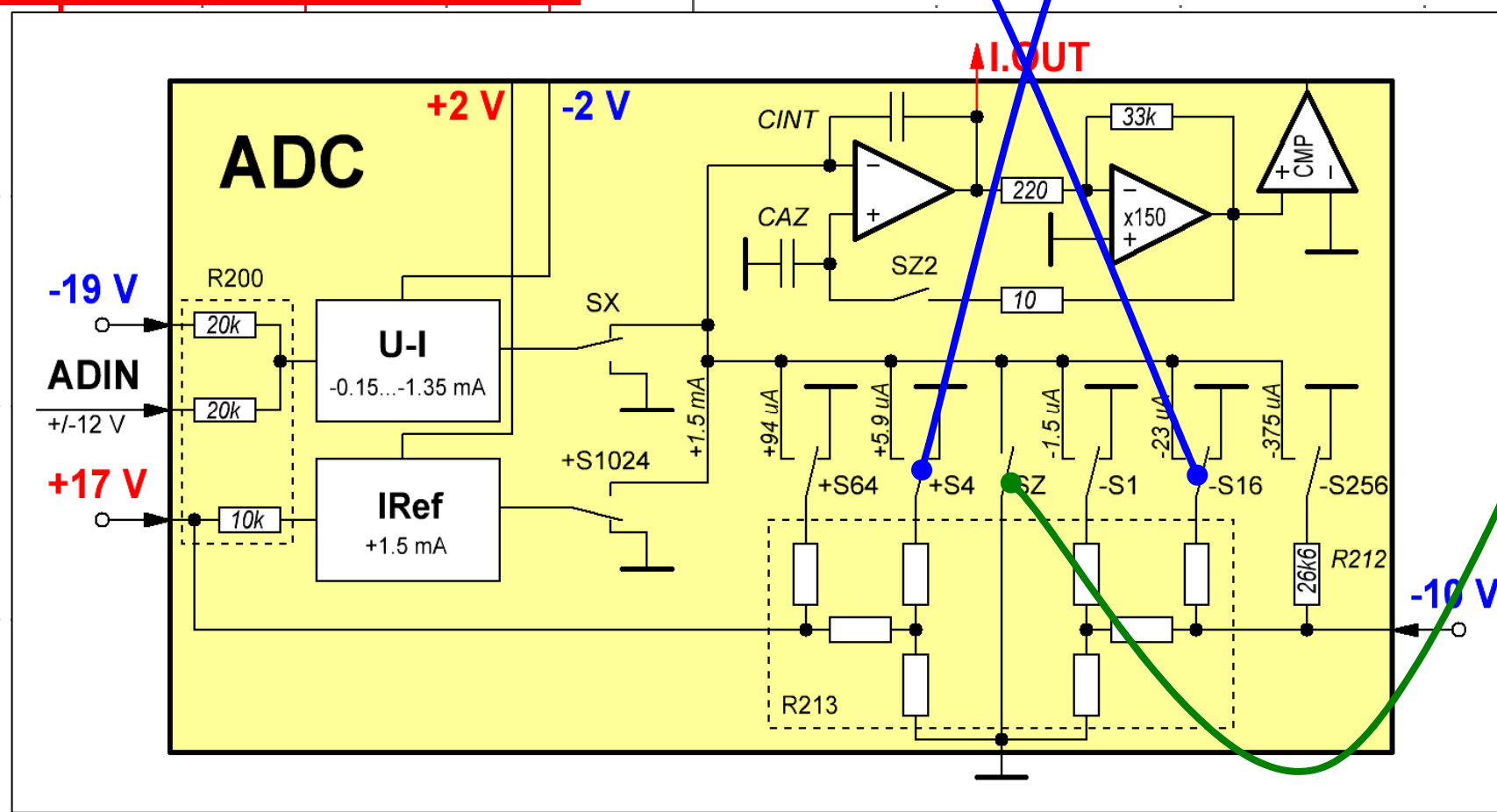


$$T_{discharge} = 4 \cdot T_{charge}$$

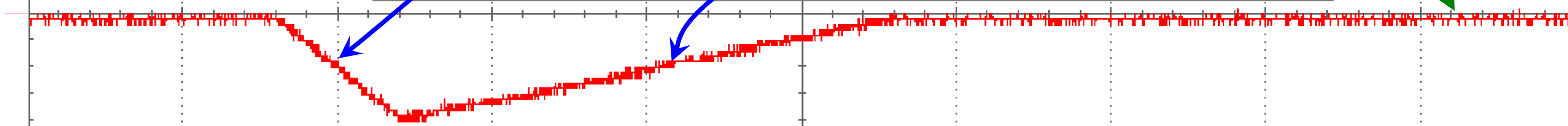
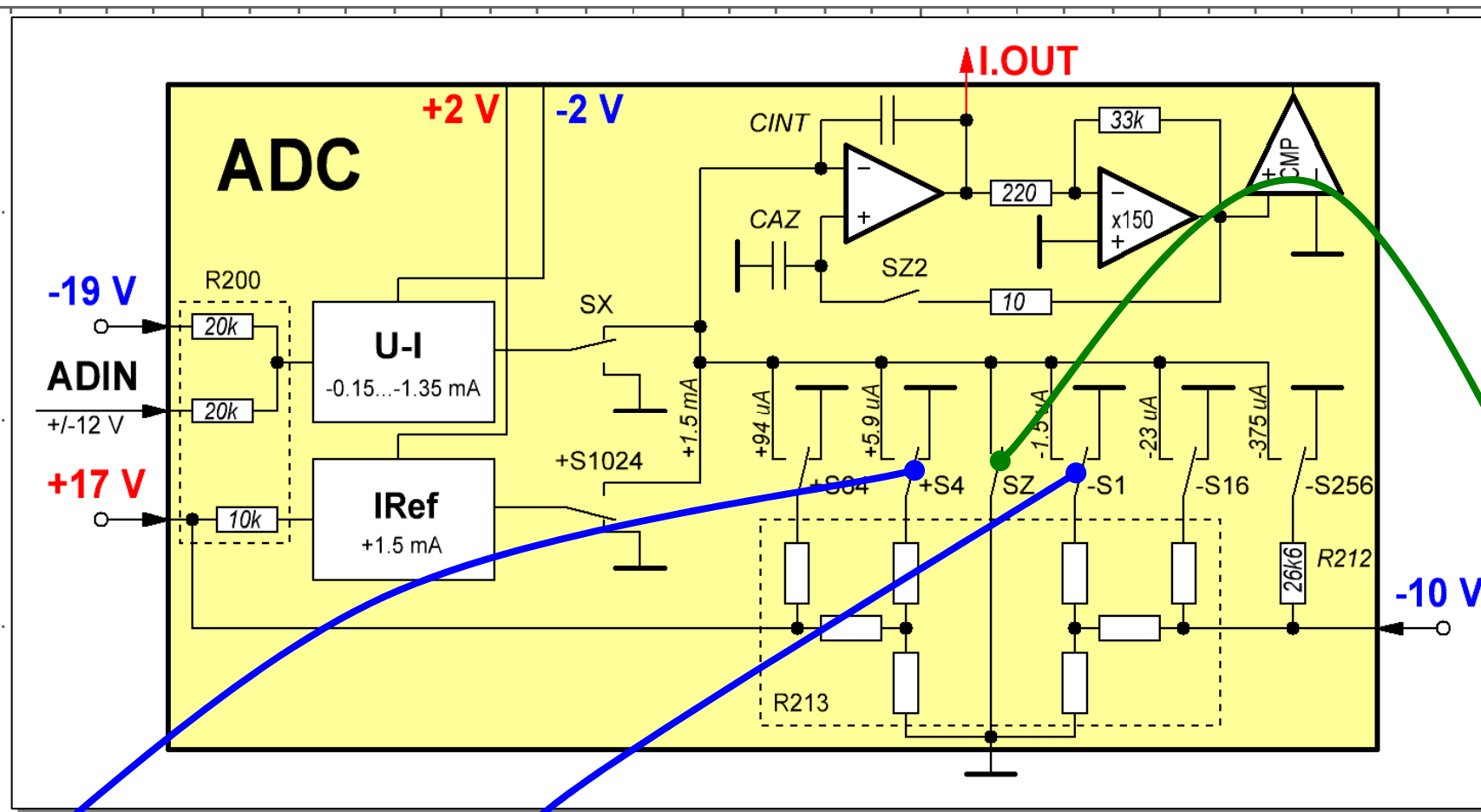


# A/D\_4 CHECK

$$T_{discharge} = 4 \cdot T_{charge}$$



# A/D\_5 CHECK



$$T_{discharge} = 4 \cdot T_{charge}$$