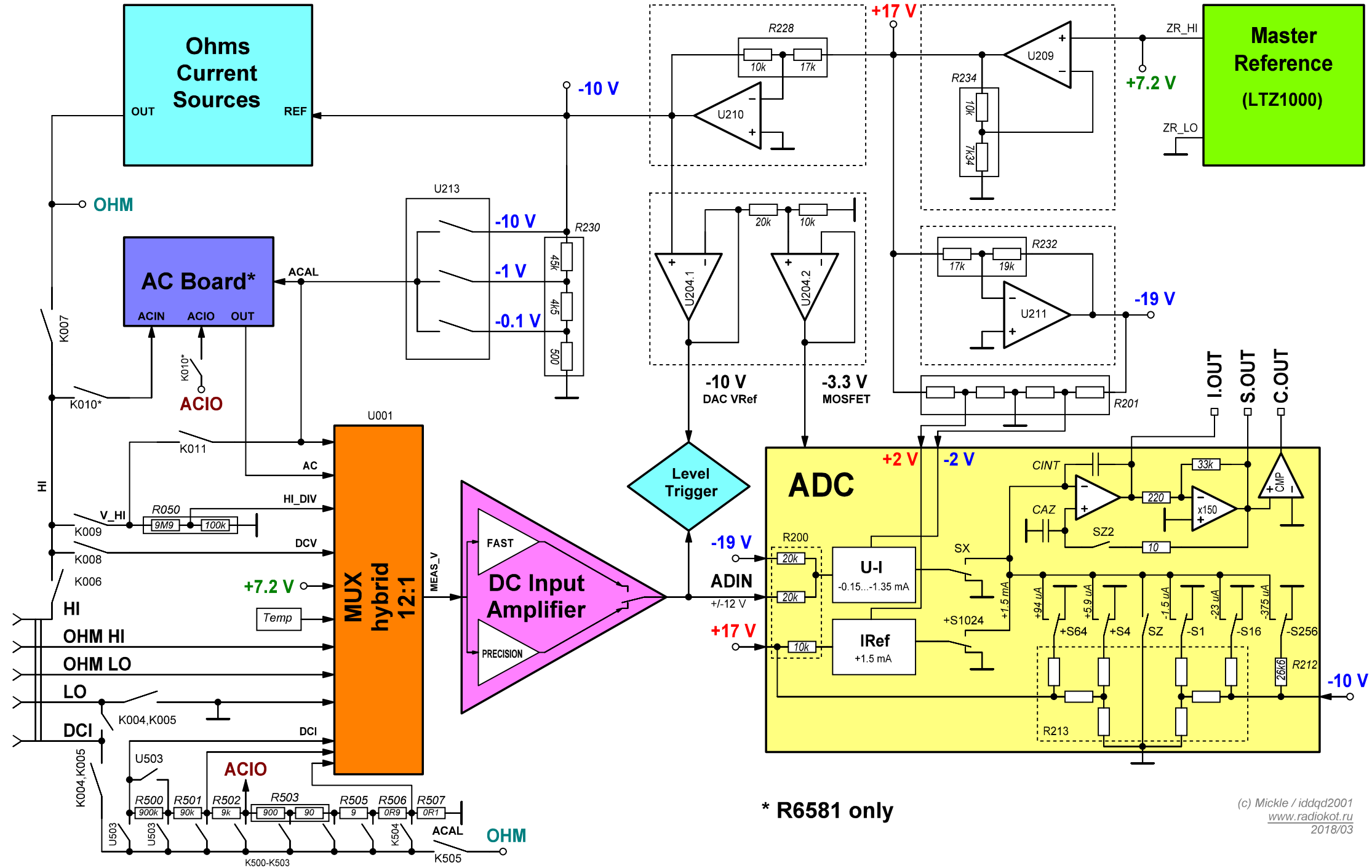


# R6581(D,T): Simplified Diagram of Analogue Board



\* R6581 only