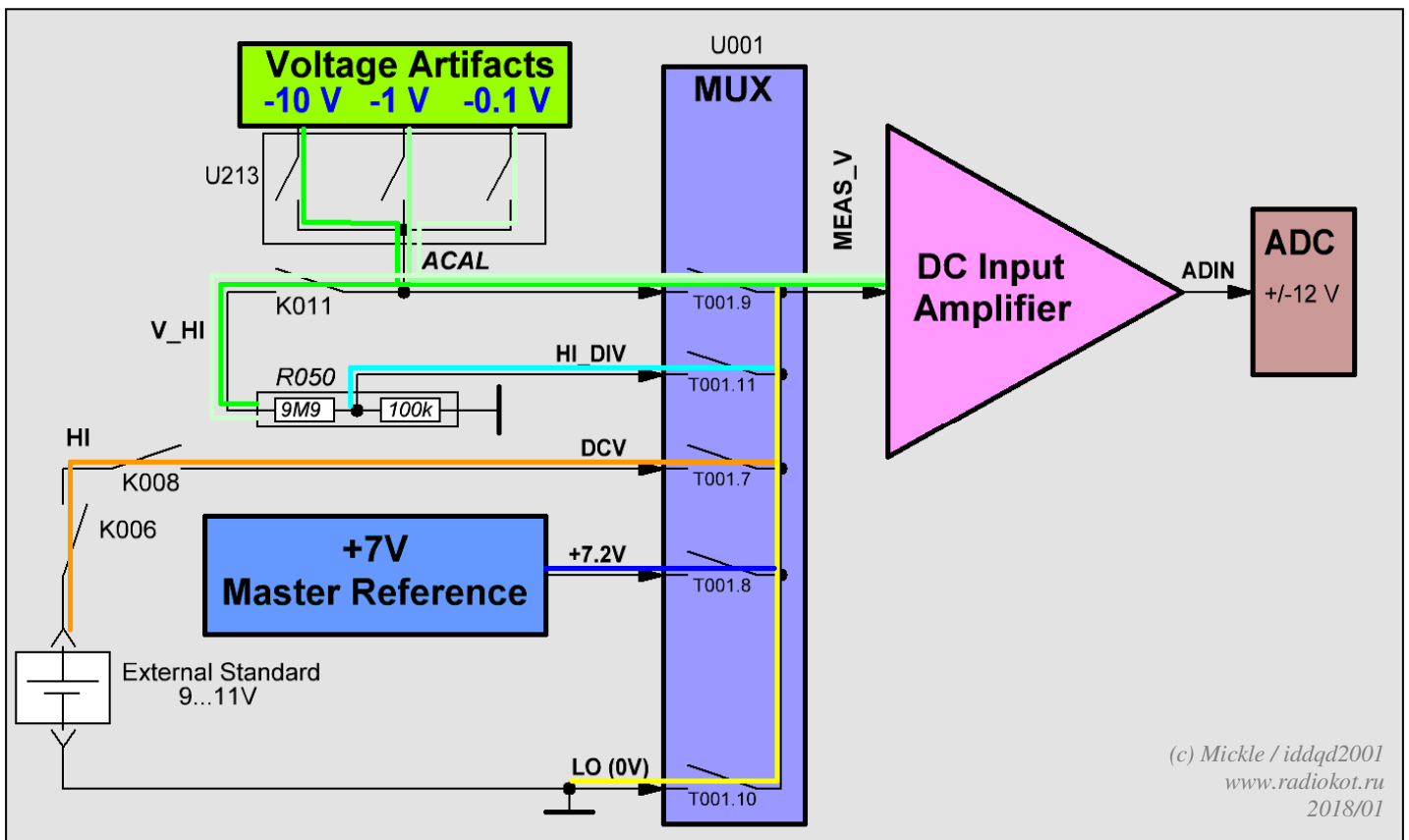


# R6581(D,T) DCV Artifact Calibration

Calibration Stage	Voltage Artifacts Sequence →							DCV Range	HV Divider	DC Input Amplifier	Duration, sec (samples)
<b>+7 V</b>	Ext.	0 V	+7 V	0 V	Ext.	0 V	...	10 V	–	×1	?
<b>10 V</b>	+7 V	0 V	+7 V	0 V	+7 V	0 V	...	10 V	–	×1	4 (20)
<b>1000 mV</b>	-1 V	0 V			-1 V	0 V	...	10 V	–	×1	8 (40)
	1 sample ↘		-1 V	0 V			...	1 V	–	×10	
<b>100 mV</b>	-0.1 V	0 V			-0.1 V	0 V	...	1 V	–	×10	33 (160)
	1 sample ↘		-0.1 V	0 V			...	0.1 V	–	×100	
<b>100 V</b>	-10 V	-0.1 V			-10 V	-0.1 V	...	10 V	–	×1	41 (200)
	1 sample ↘		-10 V	-0.1 V			...	100 V	1:100	×10	
<b>1000 V</b>	0 V							10 V	–	×1	6 (30)
	20 samples ↘		NC					100 V	1:100	×10	
				NC				*	1:100	×100	

\*1 sample = 10 PLC



(c) Mickle / iddq2001  
www.radiokot.ru  
2018/01