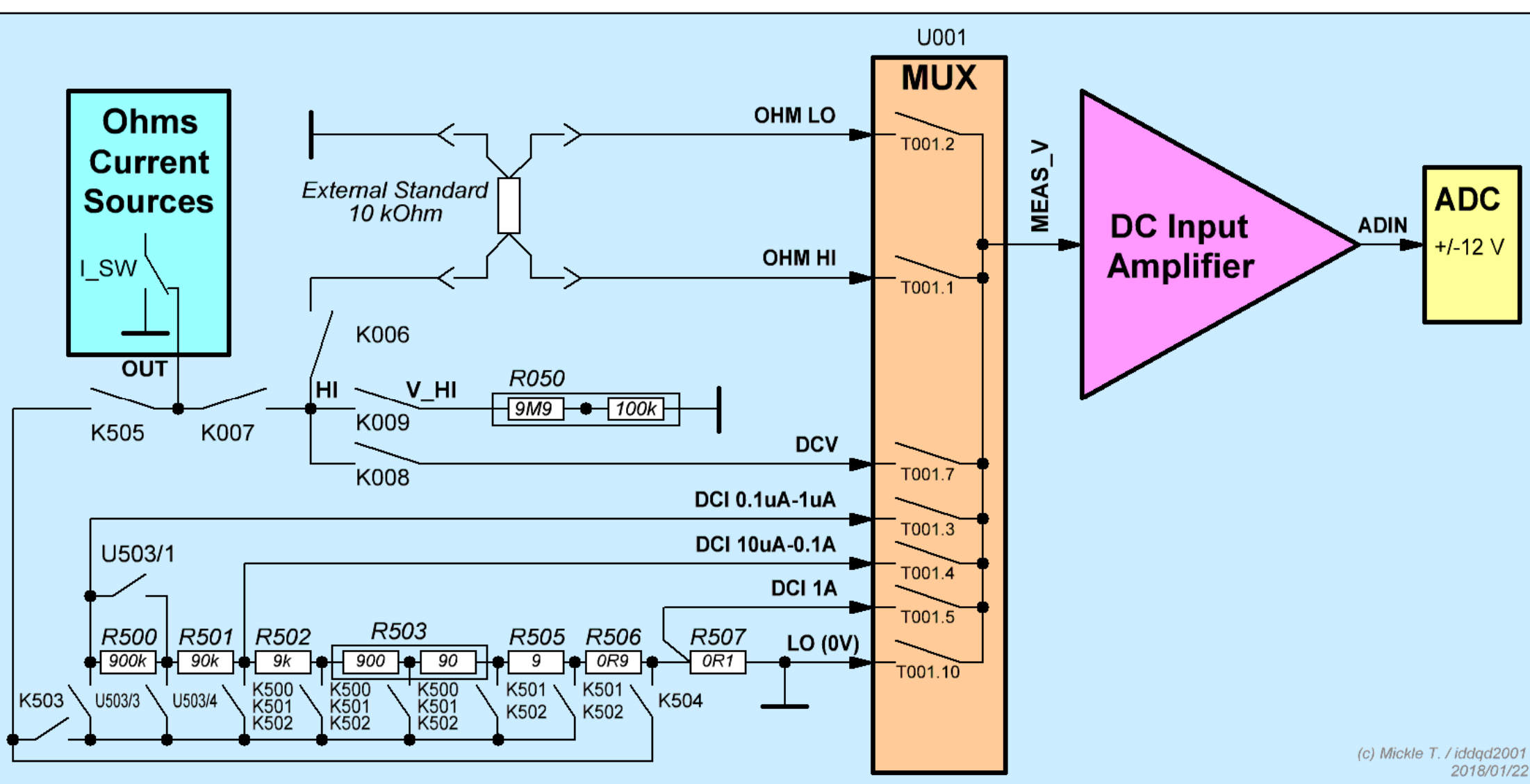
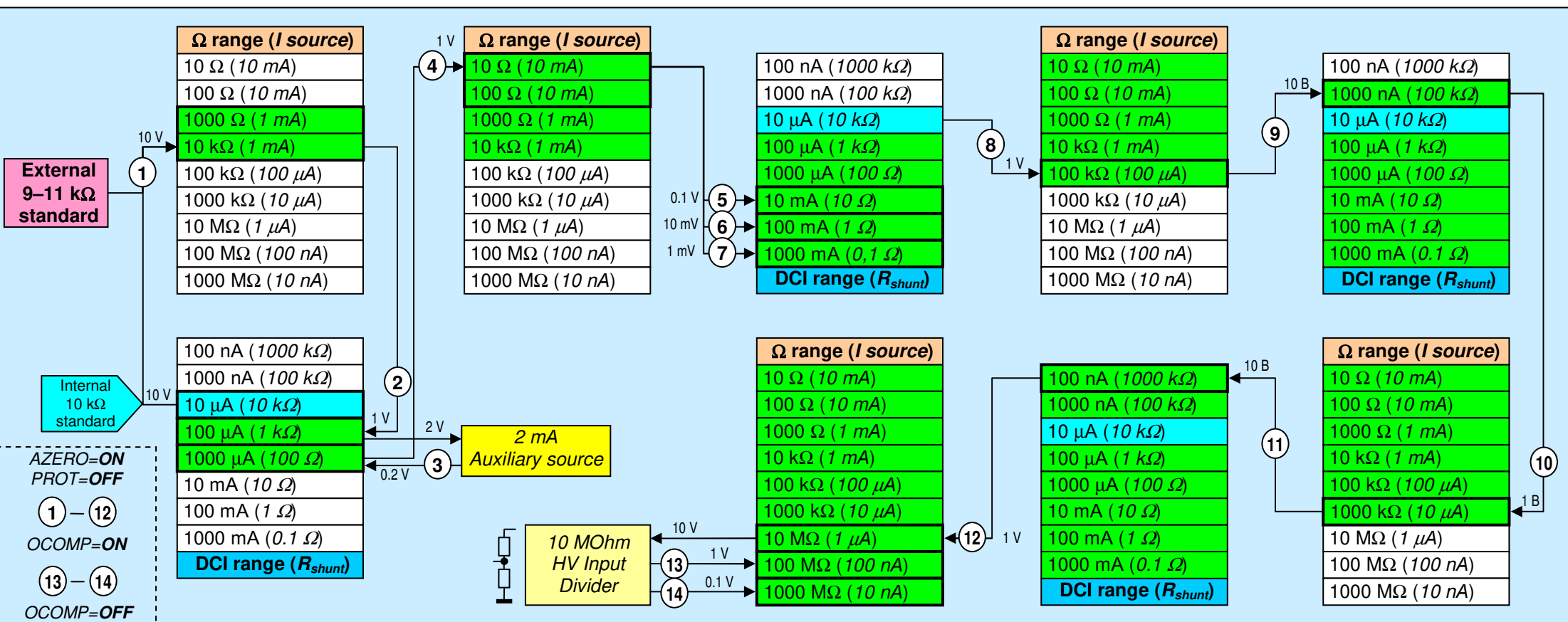


# R6581(D,T) DCI & Ohms Artifact Calibration



Step	AZERO	OCOMP	①	②	③	④	⑤	⑥	⑦	⑧	⑨	⑩	⑪	⑫	⑬	⑭
Signal path	T001.1	I_SW	K007 K006 T001.1 T001.2	K505 K503 K500 K501 K502 T001.4	K505 K503 K500 K501 K502 T001.4	K505 K503 K500 K501 K502 T001.4	K505 K503 K501 K502 T001.4	K505 K503 K501 K502 T001.4	K505 K504 T001.5	K505 K503 K500 K501 K502 T001.4	K505 K503 U503/4 U503/1 T001.3	K505 K503 U503/4 U503/1 T001.3	K505 K503 U503/3 T001.3	K505 K503 U503/3 T001.3	K007 K009 K008 T001.7	