

Model BGI

DIGITAL FORCE / TORQUE INDICATOR

User's Guide

MARK-10®

Thank you!

Thank you for purchasing a Mark-10 Series BGI Digital Force Gauge. We are confident that you will get many years of great service from this product. Mark-10 digital force gauges are designed to be easy to use and ruggedly constructed for many years of service in laboratory and industrial environments.

This User's Guide provides setup, operating, and programming instructions. Dimensions and specifications are also provided. For additional information or answers to your application questions, contact us and our technical support and engineering teams will be eager to help you.

Thank you again for your purchase and happy testing!

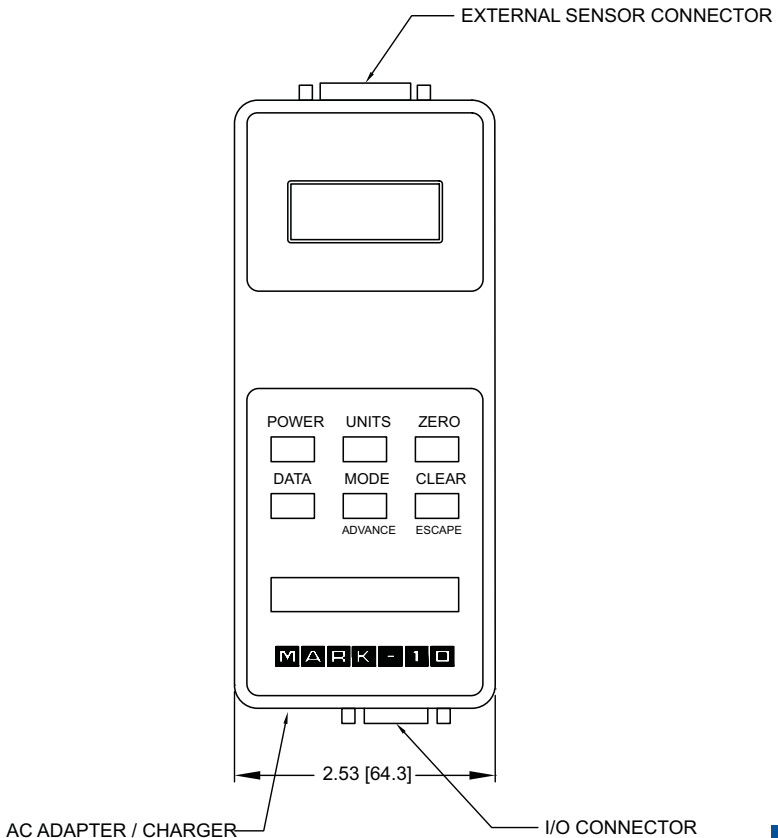
TABLE OF CONTENTS

CONTROLS - SECTION 1	3
POWER - SECTION 2	4
CONFIGURATION - SECTION 3	4
FILTERS - SECTION 4	6
EXTERNAL TRIGGER MODE - SECTION 5	7
SET POINTS - SECTION 6	7
AVERAGE MODE - SECTION 7	8
GAUGE CONTROL LANGUAGE - SECTION 8	9
OUTPUTS - SECTION 9	10
RS-232	10
Mitutoyo BCD.....	11
Analog.....	11
I/O connector pin diagram.....	12
CALIBRATION - SECTION 11	12
SPECIFICATIONS - SECTION 11	12
General	12
Dimensions	13
WARRANTY- SECTION 12	13

1 CONTROLS

Six keys on the front panel are used for all functions and control of the instrument. Some have more than one function, depending on the mode of operation. The main functions are labeled above the keys and the secondary functions are below the keys in smaller type. In the list below the secondary functions are in parentheses. For a detailed description of the secondary functions see Section 3.

POWER (ENTER)	Turns power on and off
UNITS (▲)	Selects units of measurement
ZERO (▼)	Zeroes any tare value (up to the full capacity of the instrument) and clears the peak readings
DATA	Initiates a data transmission sequence
MODE (ADVANCE)	Switches the display between normal and peak modes of operation
CLEAR (ESCAPE)	Clears peak readings from memory



2 POWER

The indicator is powered by a 7.2-volt NiCd or NiMH rechargeable battery. Since batteries are subject to self-discharge, it may be necessary to recharge the unit after a prolonged period of storage. Plug the accompanying charger into the AC outlet and insert the charger plug into the receptacle on the gauge. **Do not use chargers other than supplied or instrument damage may occur.**

There are three levels of low battery voltage indication. At the first level, the display shows a steady "LO BAT" indicating approximately one hour of charge remaining. The second level is indicated by a flashing "LO BAT". At the third level, the whole display except the "LO BAT" indicator will flash for three seconds after which time the indicator will turn itself off. This prevents the instrument from working at voltages too low for reliable operation.

3 CONFIGURATION

The BGI indicator has several features with programmable options allowing many user-specified choices. In order to access the configuration menu, perform the following:

1. Turn off the indicator
2. Press and hold MODE
3. Turn on the indicator
4. Release MODE

The software version number will be displayed for a short time followed by "FLtA". The following secondary functions of keys are used during the configuration process.

ADVANCE	Step through menu choices
ENTER	Select a menu choice
ESCAPE	Quit any function (no change)
▲ & ▼	Increment or decrement displayed values

The following list shows all configuration options. **Italics** indicate factory settings.

FLtA - Analog filter

FA 0	2.5 Hz RC filter disabled
FA 1	2.5 Hz RC filter enabled

FLTd - Digital filters

FC 1	No filtering of current (displayed) readings
FC 2	Average of 2 samples for each reading
FC 4	Average of 4 samples for each reading
FC 8	Average of 8 samples for each reading
FP 1	No filtering of peak readings
FP 2	Average of 2 samples for each peak reading
FP 4	Average of 4 samples for each peak reading
FP 8	Average of 8 samples for each peak reading

232 - RS-232 settings

232d	Output Disabled
232E	Output Enabled
300	300 baud
600	600 baud
1200	1200 baud
2400	2400 baud
4800	4800 baud
9600	9600 baud
7-1E	7 data bits, 1 stop bit, even parity
7-1o	7 data bits, 1 stop bit, odd parity
7-2E	7 data bits, 2 stop bits, even parity
7-2o	7 data bits, 2 stop bits, odd parity
7-2n	7 data bits, 2 stop bits, no parity
8-1E	8 data bits, 1 stop bit, even parity
8-1o	8 data bits, 1 stop bit, odd parity
8-1n	8 data bits, 1 stop bit, no parity
8-2n	8 data bits, 2 stop bits, no parity
Ft F	Full data (numeric + units)
Ft n	Numeric data only

out - Outputs selection (other than RS-232)

SP d	Set point outputs disabled
SP E	Set point outputs enabled
bcd d	Mitutoyo BCD output disabled

bcd E	Mitutoyo BCD output enabled
nPOL	Mitutoyo readings without polarity (absolute value)
POL	Mitutoyo readings with polarity; positive for compression (CW), negative for tension (CCW)

Et d	External trigger disabled
Et E	External trigger enabled in edge mode
Et L	External trigger enabled in level mode
EtHL	Data capture during high to low transition of trigger signal
EtLH	Data capture during low to high transition of trigger signal

Aout - Automatic output (RS-232)

no	Automatic output disabled
1	Every sample transmitted
2	Every 2nd sample transmitted
4	Every 4th sample transmitted
8	Every 8th sample transmitted
16	Every 16th sample transmitted
32	Every 32nd sample transmitted
64	Every 64th sample transmitted
128	Every 128th sample transmitted

AoFF - Automatic shutoff settings

no	Disabled
----	----------

1	1-minute automatic shutoff
5	5-minute automatic shutoff
10	10-minute automatic shutoff
20	20-minute automatic shutoff
30	30-minute automatic shutoff

init - Initial (default) settings

LB	Pounds as default units
KG	Kilograms as default units
G	Grams as default units
N	Newton's as default units
OZIN	Ounce-inches as default units
LB IN	Pound-inches as default units
KGMM	Kilogram-millimeters as default units
NCM	Newton-centimeters as default units
NM	Newton-meters as default units
A	Average mode at turn on
EtE	External trigger mode at turn on
TC or CCW	Real time display at turn on
PEAK CCW	Peak counter-clockwise mode at turn on
PEAK CW	Peak clockwise mode at turn on
PEAKT	Peak tension mode at turn on
PEAKC	Peak compression mode at turn on

A - Average mode settings

A E	Average mode enabled
A d	Average mode disabled
dEL	Initial delay prompt
At	Average time prompt
trF	Trigger force/torque value prompt

CAL - Calibration. See Section 10.

4 FILTERS

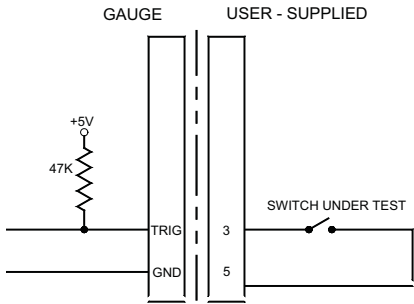
For maximum flexibility in noise suppression and peak capturing ability of the instrument there are two types of filters available to the user: analog and digital. The analog filter is a simple RC network with a cutoff frequency of 2.5 Hz and attenuation of 20 dB/decade. It can be either turned on or off.

The digital filter utilizes the moving average technique in which consecutive readings are "pushed" through a buffer and the displayed reading is the average of the buffer contents. By varying the length of the buffer, a variable smoothing effect can be achieved. The BGI is equipped with a buffer which can hold up to eight readings. The number of readings to be averaged can be set to 1,2,4 or 8. The selection of 1 will disable the filter since the average of a single value is the value itself.

The analog and the digital filters should be disabled or set to their minimum acceptable values for highest peak capture speed.

5 EXTERNAL TRIGGER MODE

This mode of operation is useful for measuring electrical contact activation force as well as synchronization of multiple instruments for a "snap-shot" view of the applied force or torque. When this mode is enabled through the configuration menu (see Section 3), the MODE key will sequence through an additional state which is indicated by the flashing "C" or "T" indicator or "CW" or "CCW"



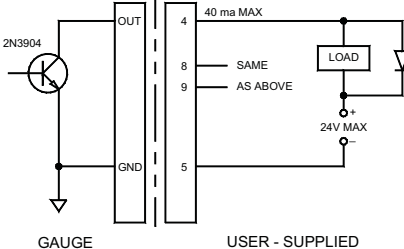
indicator, depending on the type of sensor used.

When in this mode, the instrument stops updating the display when the trigger signal is applied. It is possible to capture the reading with a normally open contact (high to low transition of the trigger signal) or a normally closed contact (low to high transition).

The display will show the captured reading until ZERO or CLEAR is pressed if the "edge" mode is set. The "level" mode provides for the display to hold the reading only until the trigger signal returns to its original state. Please refer to the diagram for connection details and to Section 3 for configuration information.

6 SET POINTS

This feature is useful for tolerance checking (GO/NO GO) or alarm indication in process control applications. Two limits, high and low, are specified and stored in the non-volatile memory of the instrument and all readings are compared to these limits. The results of the comparisons are indicated through the three open-collector outputs provided on the 9-pin connector, thus providing "under", "in range" and "over" signaling. These outputs can be connected to indicators, buzzers or relays as required. After the Set Point mode is enabled through the configuration menu (see Section 3), pressing the MODE key will sequence through an additional step indicated by "SP" on the display. To enter or change the values of the set points press ENTER. The high set point is displayed.

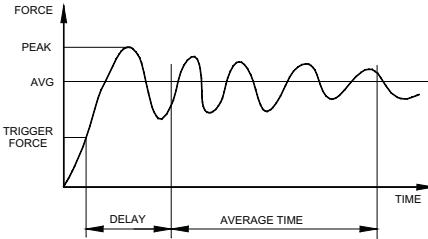


Use the ▲ and ▼ keys to increase or decrease the value and use MODE for changing between tension and compression or CW and CCW. When the desired value is displayed, press ENTER

Use the ▲ and ▼ keys to increase or decrease the value and use MODE for changing between tension and compression or CW and CCW. When the desired value is displayed, press ENTER

and repeat the above steps for the low set point. After entering both values, "donE" will appear on the display. Press ENTER to store the changes or ESCAPE to quit. In either case "SP" will appear on the display and the ENTER key may be used for re-entering the set point change mode or the MODE key for proceeding with the normal operation of the gauge.

7 AVERAGE MODE



This mode is used for obtaining an average force or torque reading over a specified period of time. Applications include measurement of peel force, muscle strength, frictional force and any other tests requiring time-averaged readings. There are three user-programmable parameters associated with this mode: trigger force

or torque, initial delay and average time. The programming of these parameters and the enabling of the Average mode are done during the instrument setup. Please refer to the "Configuration" section for more information.

Press MODE until "A" is displayed and then CLEAR or ZERO to begin testing. The process of averaging begins as soon as the programmed trigger reading is reached and is indicated by a flashing "A". The conclusion of the test is indicated by an alternating "A" and the calculated value. The readings obtained during the initial delay will not be part of the average, but the peak value is stored for later recall. A new test may be started by pressing CLEAR or ZERO.

8 GAUGE CONTROL LANGUAGE

The indicator can be controlled by an external device through the RS-232 channel. The following is a list of supported commands and their interpretations. All commands must be terminated with a Carriage Return character (hex 0D) or with a Carriage Return/Line Feed combination (hex 0D+0A). The indicator responses are always terminated with a Carriage Return/Line Feed.

- A Enable Average mode
- AD Disable Average mode
- AM Select Average mode (if enabled)
- ATn Average time. n=0.1-300.0 seconds
- DELn Initial delay. n=0.1-300.0 seconds
- TRFn Trigger force or torque. n=value (+ for compression (CW), - for tension (CCW))

- AOFFn Auto-shutoff. n=0,1,5,10,20,30 minutes. 0=always on
- AOUTn Auto-transmit every nth reading. n=0,1,2,4,8,16,32,64,128. 0=disabled

LB	Switch units to pounds
KG	Switch units to kilograms
N	Switch units to Newtons
G	Switch units to grams
OZIN	Switch units to ounce-inches
LBIN	Switch units to pound-inches
KGMM	Switch units to kilogram-millimeters
NCM	Switch units to newton-centimeters
NM	Switch units to newton-meters
ET	Enable External trigger mode
ETD	Disable External trigger mode
ETE	Edge triggered External trigger mode
ETL	Level triggered External trigger mode
HL	Reading captured on a high to low transition
LH	Reading captured on a low to high transition
SP	Enable set point
SPD	Disable set point
SPHn	High set point (+ for CW, - for CCW)
SPLn	Low set point (+ for CW, - for CCW)
CUR	Current mode (real time display)
PT	Peak Tension mode
PC	Peak Compression mode
PKCW	Peak Clockwise mode
PKCCW	Peak Counter Clockwise mode
CLR	Clear peaks, start a new average, or external trigger test
Z	Zero display and perform the CLR function
?	Request the displayed reading
?C	Request the current reading
?PT	Request the peak tension reading
?PC	Request the peak compression reading
?CW	Request peak clockwise reading
?CCW	Request peak counter-clockwise reading
?ET	Request the reading obtained during the External trigger mode
?A	Request the average reading obtained during the Average mode
FLTCn	Digital filter for current (displayed readings). n=1,2,4,8
FLTPn	Digital filter for peak readings. n=1,2,4,8
FLTAn	Analog filter (2.5 Hz). n=1,0. 1=on, 0=off
FULL	RS-232 transmission with units
NUM	RS-232 transmission without units (only numeric values)
MIT	Enable Mitutoyo output
MITD	Disable Mitutoyo output
POL	Mitutoyo outputs with polarity. (+ for compression (CW), - for tension (CCW))
NPOL	Mitutoyo outputs without polarity (absolute value)

PM Print/send data to a Mitutoyo compatible device
 Sn Set output bit (open collector, pull to ground). n=0,1,2
 Cn Clear output bit. n=0,1,2
 Rn Read current status of output bit or level of input pin. n=0,1,2,3

SAVE Save current settings in nonvolatile memory
 CAL Enter Calibration mode. See Section 10 for more information
 LIST List current settings and status. Here is a typical LIST output:

```
V3.00;LB;PC;FLTC8;FLTP1;FLTA1;AOUT00;AOFF05;FULL;MIT;POL;B0
```

All fields are separated by ";". The first field shows the software version, the last field shows the remaining battery power (B0=full charge, B3=minimum power). All other fields show the status of settings and features using the same abbreviations as the commands to set them.

Any detected errors are reported back by means of the following error codes:

*10 Illegal command
 *11 Not applicable; e.g. SPHn command without enabling the set points
 *21 Invalid specifier; e.g. AOFF2
 *22 Value too large
 *30 Calibration weight too high
 *31 Calibration weight too low
 *50 Communication error
 *51 Command string too long

Following is a sample BASIC program illustrating the use of some commands. It switches the units to kilograms and sets the display to zero. Press any key to get a reading on the screen. Use "ESC" to exit the program.

```
10 CLS:OPEN"COM1:9600,N,8,1,RS,CS,DS,CD,LF" AS #1
20 PRINT #1 "KG"
30 PRINT #1 "Z"
40 PRINT "PRESS ANY KEY FOR READING OR <ESC> TO
EXIT"
50 KEYPR$=INKEY$: IF KEYPR$="" THEN 50
60 IF KEYPR$=CHR$(27) THEN SYSTEM
70 PRINT #1 "?"
80 LINE INPUT #1,A$
90 PRINT A$
100 GOTO 40
```

9 OUTPUTS

RS-232

The data transmission can be initiated by pressing the DATA key or by an external device by sending ASCII "?" to the gauge. The indicator will respond by sending the current reading in either full or numeric format, depending on the configuration settings (see Section 3). Polarity sign indicates tensile (CCW) (-) or compressive (CW) (+) forces. The transmitted string has the following format:

```
[POLARITY (SPACE OR -)][DATA][SPACE][UNITS (IF ENABLED)][CRLF]
```

The display will flash "Err" and no data will be transmitted if DATA is pressed during the average computation while in the Average mode or during the input scanning in the External trigger mode.

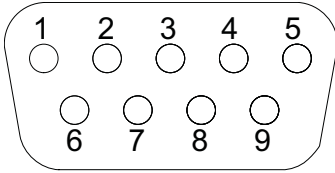
Mitutoyo BCD

This output is useful for connection to data collectors, printers, multiplexers or any other device capable of accepting Mitutoyo BCD data. The transmission is initiated by the DATA key or by the receiving device (see Section 3 for settings).

Analog

This output can be used for chart recorders, oscilloscopes, data acquisition systems, or any other compatible devices with analog inputs. The output produces ± 1 volt at full scale of the sensor used with the indicator. The polarity of the signal is positive for compression (CW) and negative for tension (CCW).

I/O connector pin diagram



DB-9P

- | | | |
|----|---------------------------|--------|
| 1. | RS-232 receive | Input |
| 2. | RS-232 transmit | Output |
| 3. | Mitutoyo request | Input |
| | External trigger | " |
| | Input bit 3 | " |
| 4. | Mitutoyo clock | Output |
| | "Within" set point output | " |
| | Output bit 2 | " |
| 5. | Signal ground | --- |
| 6. | +Analog signal | Output |
| 7. | +12V DC | Output |
| 8. | Mitutoyo ready | Output |
| | "Under" set point output | " |
| | Output bit 1 | " |
| 9. | Mitutoyo data | Output |
| | "Over" set point output | " |
| | Output bit 0 | " |

10 CALIBRATION

Mount the external sensor securely in a manner appropriate for its load application. Select the calibration sub-menu in the configuration mode, as described in the previous section, by pressing ENTER three times when the display shows 'CAL'. After the display shows 'null' press ZERO, while ensuring that the sensor is not loaded. The next displayed prompt is 'SPAN'. At this time, apply the exact weight equal to the **full capacity of the sensor in English units (i.e. model STJ50: 50 lbin, model SS1000: 1000 lb)** and press ENTER. A successful calibration procedure is indicated by 'donE' on the display. Press ENTER to save the new calibration data and to return to normal operation. In some cases the display will show 'nnnn' or 'uuuu' to indicate excessive or insufficient calibration weight. This can be caused by incorrect weights, tare weight of over 10% of the full capacity, or an overloaded sensor. The calibration procedure may be aborted without changing the previous calibration information at any time by pressing ESCAPE.

11 SPECIFICATIONS

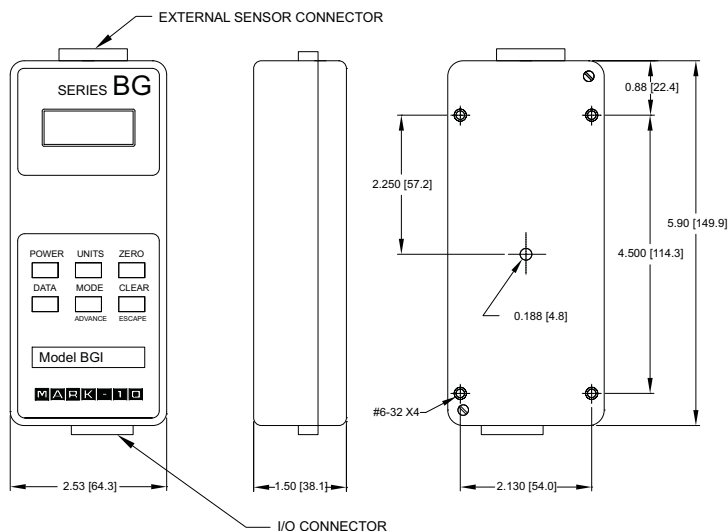
General

- | | |
|-----------------------|--|
| Accuracy: | ±0.10% of full scale ±1 count (excluding sensor) |
| Sampling rate: | 65 samples per second |
| Operating Conditions: | |
| Temperature: | 40°F - 110°F [5°C - 45°C] |
| Humidity: | 96% max. (non-condensing) |

Display update:	Normal Mode:	2.5 - 10 times per second, depending on filter settings
	Peak Mode:	65 times per second
Display:		4-1/2-character LCD 0.3" [7.6 mm] high
Battery life:		Approximately 8 hours per charge
Weight:		0.9 lbs [0.4 kg]
Outputs:	RS-232:	Baud rates from 300 to 9600
	Mitutoyo:	Standard Mitutoyo SPC BCD output
	Analog:	± 1 VDC $\pm 0.25\%$ FS
	Connector:	9-pin D-type male
Power:		7.2 V NicD or NiMH battery or included AC adapter/charger

DIMENSIONS

in [mm]



12 WARRANTY

Mark-10 Corporation expressly warrants to its buyer for one year from the date of delivery that the goods sold are free from defects in workmanship and materials. Mark-10 Corporation will, at its option, repair or replace or refund the purchased price of goods found to be defective. This remedy shall be the buyer's sole and exclusive remedy. Any modification, abuse, exposure to corrosive environment or use other than intended will void this warranty. This warranty is in lieu of all other warranties, including implied warranties of merchantability and fitness for an intended purpose. In no event shall Mark-10 Corporation be liable for any incidental and consequential damages in connection with goods sold or any part thereof.



Mark-10 Corporation has been an innovator in the Force and Torque measurement fields since 1979. We strive to achieve 100% customer satisfaction through excellence in product design, manufacturing and customer support. In addition to our standard line of products we can provide modifications and custom designs for OEM applications. Our engineering team is eager to satisfy any special requirements. Please contact us for further information or suggestions for improvement.



We make a measurable difference in force and torque measurement

Mark-10 Corporation

11 Dixon Avenue
Copiague, NY 11726 USA
1-888-MARK-TEN
Tel: 631-842-9200
Fax: 631-842-9201
Internet: www.mark-10.com
Email: info@mark-10.com