

VSC150A absolute switch, passiv

The INFICON Vacuum Switch VSC150 is a absolute pressure switch with a adjustable electrical switching contact from 0.5 to 2000 mbar. The mechanical design allows a short therm overload of 3000 mbar without any impairing the switching accuracy of ± 0.1 mbar. INFICON offers customer specific adjustment of pressure switch.



BENEFITS

- High switching accuracy (± 0.1 mbar)
- Stable long term operating characteristics
- Rugged, corrosion protected design

FEATURES

- Switching contacts (normally closed) in the reference chamber and thus protected against process media
- Increased switching capability when using switching amplifier
- Adapter available for differential pressure measurement

ORDERING INFORMATION

Type

VSC150 Vacuum Switch

VSC150A absolute switch, passiv

399-005

SPECIFICATIONS

Type		VSC150A absolute switch, passiv
Switching range	mbar	0.5 ... 2000
Response sensivity	mbar	0.1
Overload limit	mbar	3000
Switching hysteresis	mbar	0.5
Temperature		
Operation (ambient)	°C	5 ... 90
Storage	°C	-20 ... 70
Bakeout (max. 8 h)	°C	120
Temperature		
Coefficient of switch point	% K of switching value	0.4
Vacuum connection		DN 16 ISO-KF
Electrical connection		Protected plug (DIN 43650)
Switch		n.c.
Switching voltage	V	24
Switching current	mA	10
Contact resistance	Ω	<1
Protection category		IP 65
Materials in contact with the medium		
Sensing volume		Stainless steel 1.4301, 1.4401, 1.4310, 1.3541, FPM75
Reference volume		Stainless steel 1.4301, 1.4401, 1.3541, glass, gold
Sensing volume (1)	cm ³	≈4
Reference volume	cm ³	≈20
Weight	kg	1.3
SV Switching Amplifier		
Mains supply (selectable)	V	110 ... 130, 220 ... 240
Output relay: Switching voltage	V	250
SV Switching Amplifier		
Mains frequency	Hz	50 / 60
SV Switching Amplifier		
Power consumption	VA	3
Output relay: Switching capacity	VA	500
SV Switching Amplifier		
Output relay: Switching current	A	5

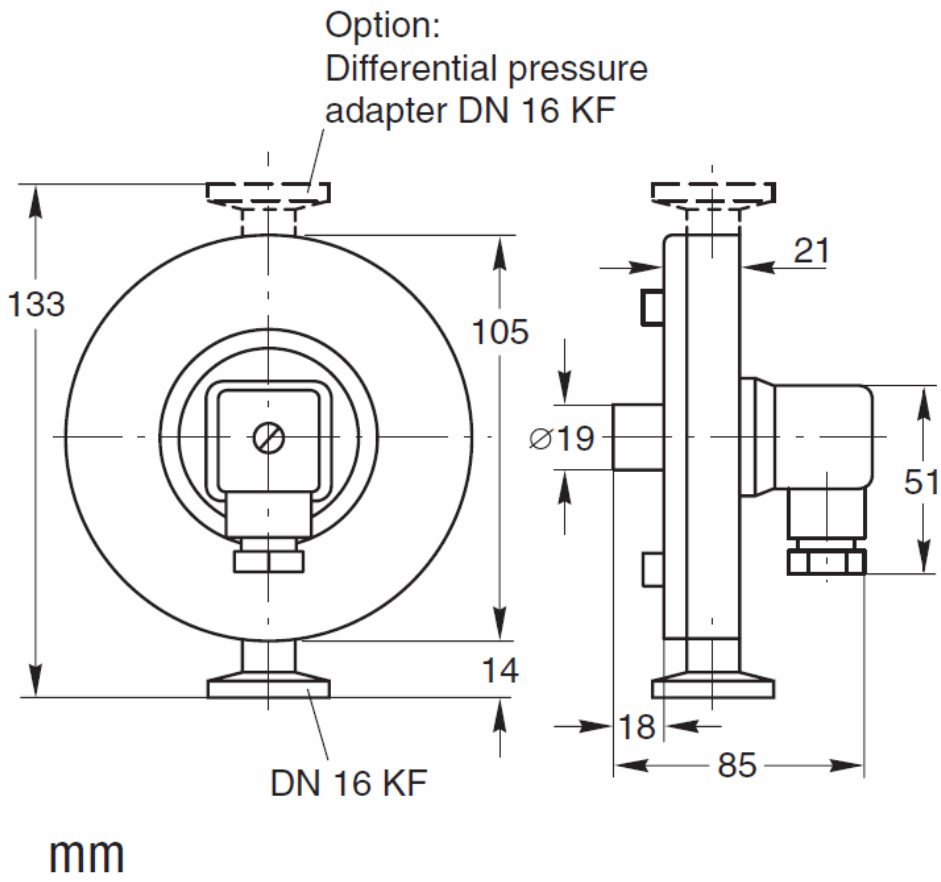
SPECIFICATIONS

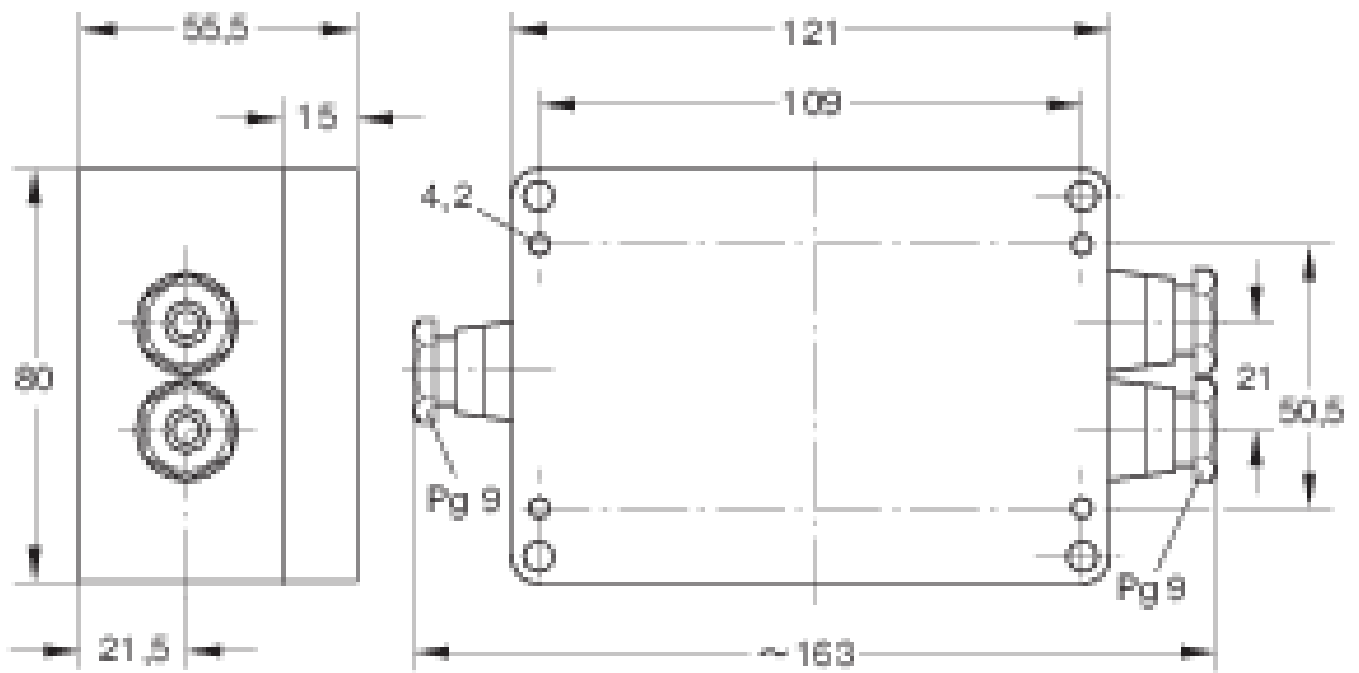
Type	VSC150A absolute switch, passiv	
SV Switching Amplifier		
Response time	ms	30
Release time	ms	7
SV Switching Amplifier		
Control circuit	V/mA	24 / 10
SV Switching Amplifier		
Operation temperature	°C	5 ... 50
SV Switching Amplifier		
Weight	kg	0.36

ACCESSORIES

	VSC150A absolute switch, passiv
Differentialpressure-Adapter for VSC150	399-007
Setpoint-adjustment for VSC150	399-006
Switching Amplifier for VSC150	399-008

DIMENSIONS





www.inficon.com reachus@inficon.com

Due to our continuing program of product improvements, specifications are subject to change without notice. RateWatcher is a trademark of INFICON. All other trademarks are the property of their respective owners.

(2014-11) © 2014 INFICON