

Set of Stud Screws

INFICON CF quality fittings are manufactured according to ISO 3669 and the latest TS/ ISO 3669-2 standard. INFICON Ultra high vacuum fittings are designed for applications down to 1×10^{-12} mbar and bakeout temperatures up to 400°C.



BENEFITS

- World wide logistics
- Design and measures follow strictly international respected standards
- 2011/65/EU RoHS compliant

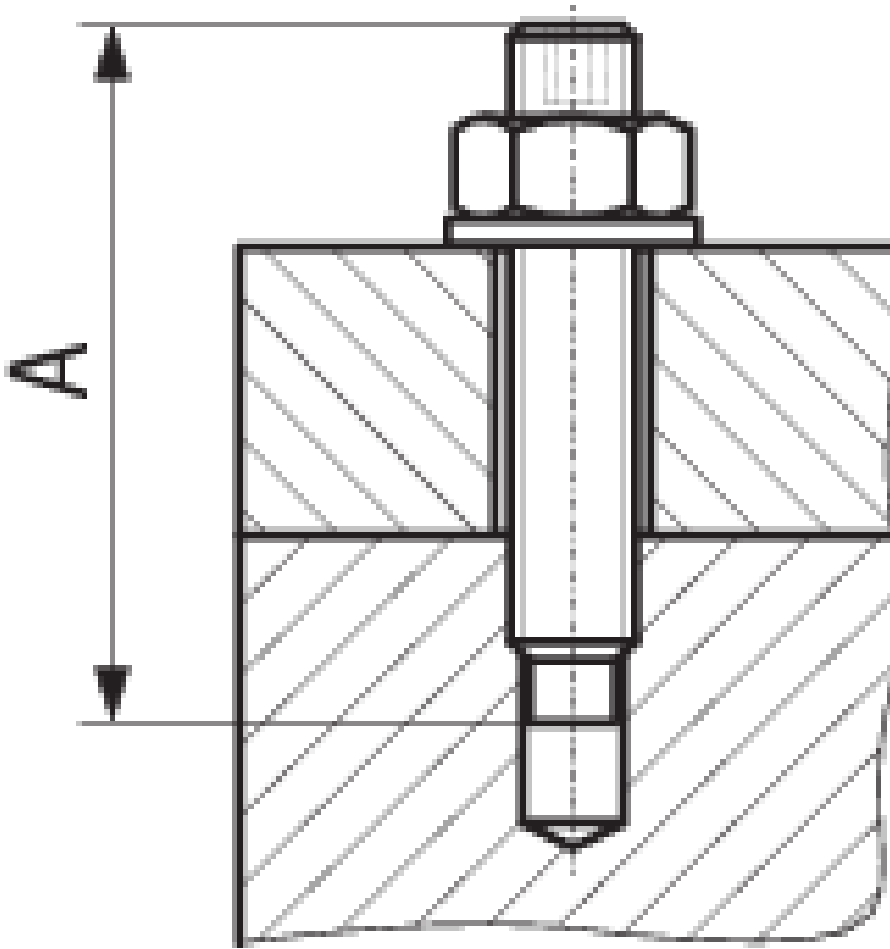
ORDER INFORMATION

Type	DN 16 CF	DN 40 CF	DN 63-100 CF
Set of stud screws M 6x35, DN 40 CF		213-432	
Set of stud screws M 8x45, DN 63-100 CF			213-433
Set of stud screws M 4x20, DN 16 CF	213-431		

SPECIFICATIONS

Type	DN 16 CF	DN 40 CF	DN 63-100 CF
Dimension A	20	35	45
Set of:	6 x M4	6 x M6	16 x M8
Tightening torque:	4 Nm	10 Nm	20 Nm
Bolt:	Stainless Steel 316 / 1.4401	Stainless Steel 316 / 1.4401	Stainless Steel 316 / 1.4401
Washer:	Stainless Steel 304 / 1.4301	Stainless Steel 304 / 1.4301	Stainless Steel 304 / 1.4301
Nut:	Stainless Steel 316 / 1.4401	Stainless Steel 316 / 1.4401	Stainless Steel 316 / 1.4401

DIMENSIONS



www.inficon.com reachus@inficon.com

Due to our continuing program of product improvements, specifications are subject to change without notice. RateWatcher is a trademark of INFICON. All other trademarks are the property of their respective owners.

(2018-08) © 2018 INFICON