

# Metal Hose High Flexible

---

INFICON ISO-KF fittings are manufactured according to ISO 2861/1, DIN 28403 and Pneurop 6606. Our quality fittings are the standard components for all vacuum and high vacuum applications. The high quality INFICON components are designed and tested for leak rates less than  $1 \times 10^{-9}$  mbar l/s.



## BENEFITS

---

- Competitively priced
- World wide logistics
- Design and measures follow strictly international respected standards
- Surface finish, welds, material specifications and cleanliness meet or exceed high vacuum specifications
- 2011/65/EU RoHS compliant

## FEATURES

---

- Hydro formed
- 100% leak tested
- Very flexible

## ORDER INFORMATION

---

Type	DN 10 ISO-KF	DN 16 ISO-KF	DN 25 ISO-KF	DN 40 ISO-KF	DN 50 ISO-KF
Flexible metal hose HF, DN 10 KF, 1000mm	211-334				
Flexible metal hose HF, DN 10 KF, 250mm	211-331				

Flexible metal hose HF, DN 10 KF, 500mm	211-332	
Flexible metal hose HF, DN 10 KF, 750mm	211-333	
Flexible metal hose HF, DN 16 KF, 1000mm		211-338
Flexible metal hose HF, DN 16 KF, 1500mm		211-531
Flexible metal hose HF, DN 16 KF, 2000mm		211-532
Flexible metal hose HF, DN 16 KF, 250mm		211-335
Flexible metal hose HF, DN 16 KF, 500mm		211-336
Flexible metal hose HF, DN 16 KF, 750mm		211-337
Flexible metal hose HF, DN 25 KF, 1000mm		211-342
Flexible metal hose HF, DN 25 KF, 1500mm		211-533
Flexible metal hose HF, DN 25 KF, 2000mm		211-534
Flexible metal hose HF, DN 25 KF, 250mm		211-339
Flexible metal hose HF, DN 25 KF, 500mm		211-340
Flexible metal hose HF, DN 25 KF, 750mm		211-341
Flexible metal hose HF, DN 40 KF, 1000mm		211-346
Flexible metal hose HF, DN 40 KF, 1500mm		211-535
Flexible metal hose HF, DN 40 KF, 2000mm		211-536
Flexible metal hose HF, DN 40 KF, 250mm		211-343
Flexible metal hose HF, DN 40 KF, 500mm		211-344
Flexible metal hose HF, DN 40 KF, 750mm		211-345
Flexible metal hose HF, DN 50 KF, 1000mm		211-350

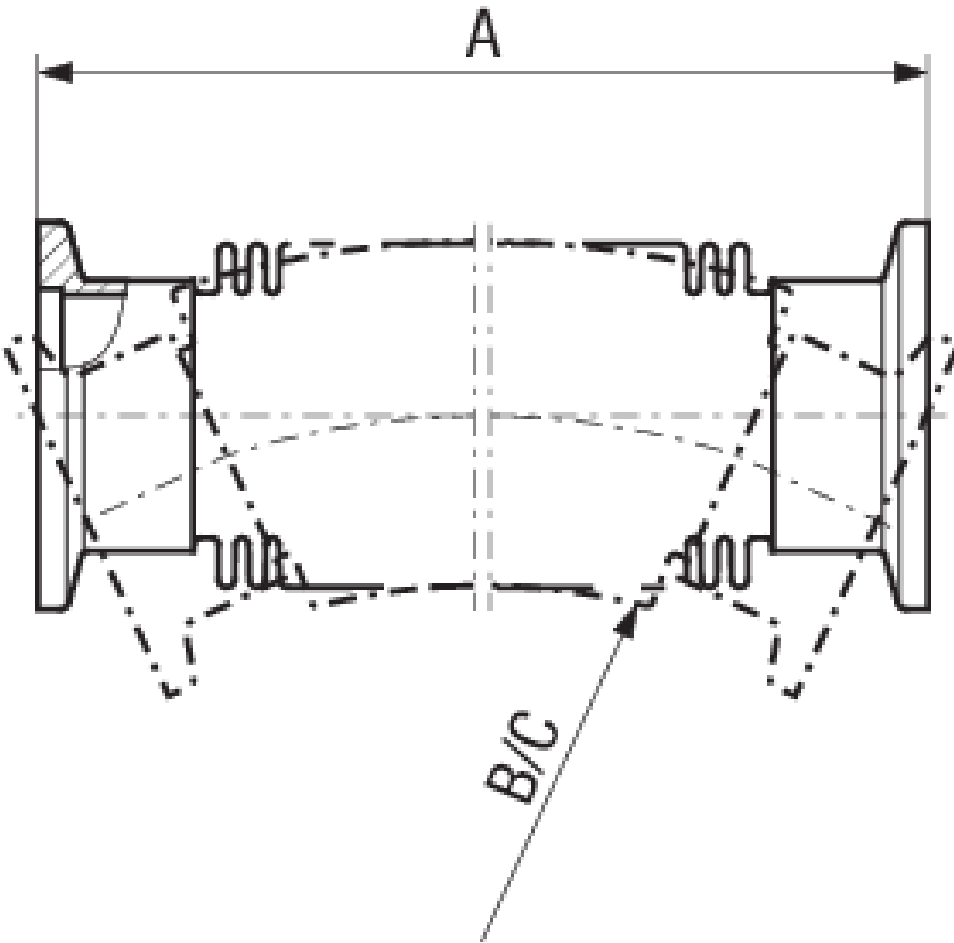
Flexible metal hose HF, DN 50 KF, 500mm	211-348
Flexible metal hose HF, DN 50 KF, 750mm	211-349
Flexible metal hose HF, DN 50 KF, 250mm	211-347

## SPECIFICATIONS

Type	DN 10 ISO-KF	DN 16 ISO-KF	DN 25 ISO-KF	DN 40 ISO-KF	DN 50 ISO-KF
Dimension A	250, 500, 750, 1000	250, 500, 750, 1000, 1500, 2000	250, 500, 750, 1000, 1500, 2000	250, 500, 750, 1000, 1500, 2000	250, 500, 750, 1000
Dimension B	100	70	100	130	200
Dimension C	17	50	60	100	130
Internal pressure:	Max. 6 bar	Max. 4 bar	Max. 4 bar	Max. 4 bar	Max. 4 bar
B=	Radius for multiple bending	Radius for multiple bending	Radius for multiple bending	Radius for multiple bending	Radius for multiple bending
C=	Radius for single bending	Radius for single bending	Radius for single bending	Radius for single bending	Radius for single bending
Material flange:	Stainless steel 304	Stainless steel 304	Stainless steel 304	Stainless steel 304	Stainless steel 304
Material bellows:	Stainless Steel 316L/1.4404	Stainless Steel 316L/1.4404	Stainless Steel 316L/1.4404	Stainless Steel 316L/1.4404	Stainless Steel 316L/1.4404

## DIMENSIONS

---



[www.inficon.com](http://www.inficon.com)    [reachus@inficon.com](mailto:reachus@inficon.com)

Due to our continuing program of product improvements, specifications are subject to change without notice.  
RateWatcher is a trademark of INFICON. All other trademarks are the property of their respective owners.

V01    (2018-08)    © 2018 INFICON