

## Welding Flange - Steel A570

---

INFICON ISO-K quality fittings are manufactured according to ISO 1609, DIN 28404 and Pneurop 6606. Our quality large diameter fittings are the standard vacuum components for all vacuum and high vacuum lines. The high quality INFICON fittings are designed and tested for leak rates less than  $1 \times 10^{-9}$  mbar l/s.



### BENEFITS

---

- Competitively priced
- World wide logistics
- Design and measures follow strictly international respected standards
- Surface finish, welds, material specifications and cleanliness meet or exceed high vacuum specifications
- 2011/65/EU RoHS compliant

### ORDER INFORMATION

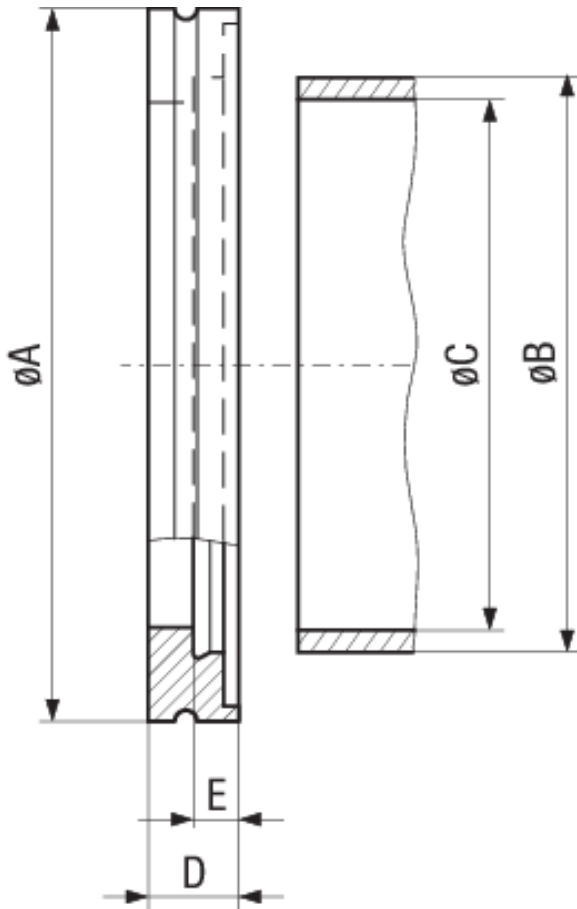
---

Type	DN 160 ISO-K	DN 250 ISO-K
Welding flange, steel, DN 160 ISO-K	212-023	
Welding flange, steel, DN 250 ISO-K		212-025

## SPECIFICATIONS

Type	DN 160 ISO-K	DN 250 ISO-K
Dimension A	180	290
Dimension B	159	267
Dimension C	153.2	261
Dimension D	12	12
Dimension E	6	6
Material:	Steel A570/-	Steel A570/-

## DIMENSIONS



[www.inficon.com](http://www.inficon.com) [reachus@inficon.com](mailto:reachus@inficon.com)

Due to our continuing program of product improvements, specifications are subject to change without notice. RateWatcher is a trademark of INFICON. All other trademarks are the property of their respective owners.

(2018-08) © 2018 INFICON