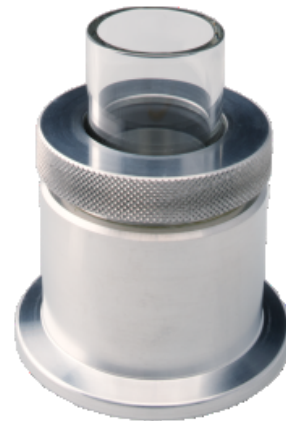


Glass Tube Connection

INFICON ISO-KF fittings are manufactured according to ISO 2861/1, DIN 28403 and Pneurop 6606. Our quality fittings are the standard components for all vacuum and high vacuum applications. The high quality INFICON components are designed and tested for leak rates less than 1×10^{-9} mbar l/s.



BENEFITS

- Competitively priced
- World wide logistics
- Design and measures follow strictly international respected standards
- Surface finish, welds, material specifications and cleanliness meet or exceed high vacuum specifications
- 2011/65/EU RoHS compliant

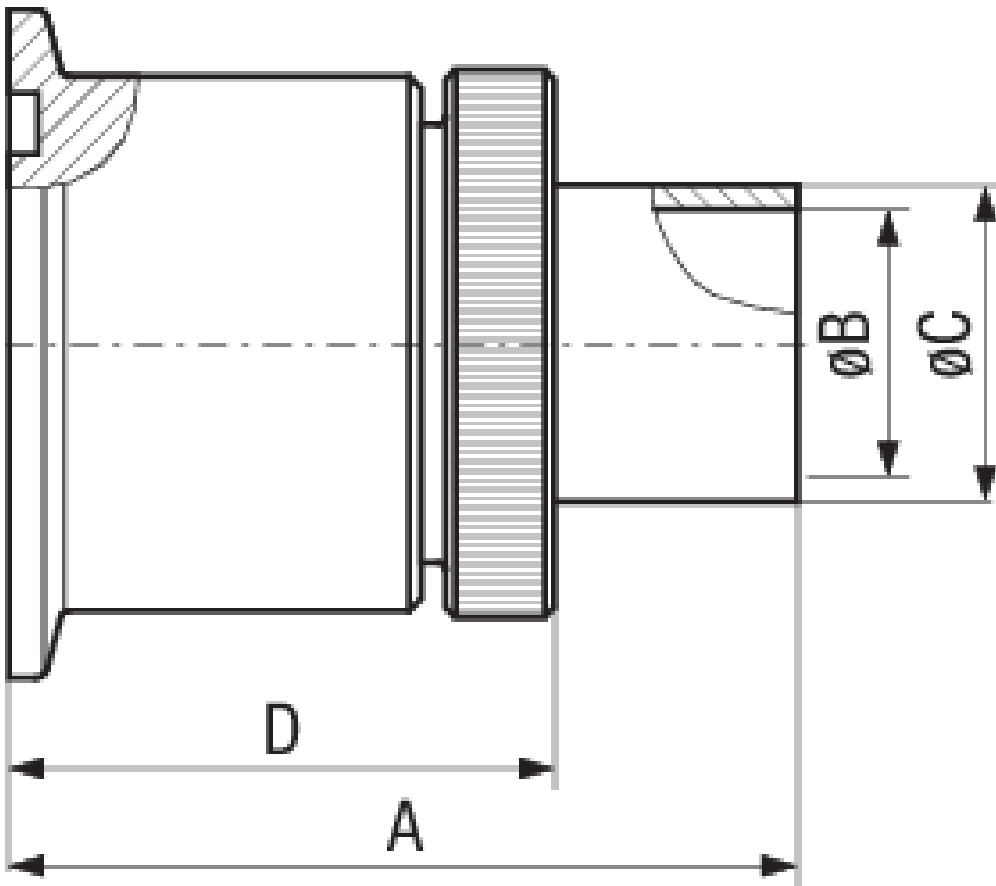
ORDER INFORMATION

Type	DN 10 ISO-KF	DN 40 ISO-KF
Glass tube connection, Al, FPM DN10KF-10	211-351	
Glass tube connection, Al, FPM DN40KF-26		211-353

SPECIFICATIONS

Type	DN 10 ISO-KF	DN 40 ISO-KF
Dimension A	50	65
Dimension B	8	22
Dimension C	10	26
Dimension D	30	45
Flange:	Aluminum 6082	Aluminum 6082
Sealing:	FPM	FPM
Tube:	Glas Pyrex	Glas Pyrex

DIMENSIONS



www.inficon.com reachus@inficon.com

Due to our continuing program of product improvements, specifications are subject to change without notice. RateWatcher is a trademark of INFICON. All other trademarks are the property of their respective owners.

(2018-08) © 2018 INFICON