

MPPC® (Multi-Pixel Photon Counter)



S14420 series

Visible/near infrared MPPC

MPPC is a type of device called SiPM (silicon photomultipliers). It is a new type of photon counting device that consists of multiple Geiger mode APD (avalanche photodiode) pixels. It is an opto-semiconductor with outstanding photon counting capability and low operating voltage and is immune to the effects of magnetic fields.

The S14420 series is an MPPC for the visible to near infrared region. It provides higher photon detection efficiency than the previous product (S13360 series) in the visible to near infrared region.

Features

- High photon detection efficiency: 40% ($\lambda=600$ nm, $V_{op}=V_{BR} + 5$)
- Low crosstalk, low afterpulses
- Low voltage ($V_{BR}=42$ V typ.) operation
- High gain: 10^5 to 10^6
- Operates with simple readout circuits
- MPPC module also available (sold separately)

Applications

- Flow cytometry
- Laser scan microscope
- Fluorescence measurement

Structure / Absolute maximum ratings

Type no.	Pixel pitch (μm)	Photosensitive area (mm)	Number of pixels	Fill factor (%)	Package	Window material	Window refractive index	Absolute maximum ratings		
								Operating temperature* ¹ Topr (°C)	Storage temperature* ¹ Tstg (°C)	Soldering conditions* ²
S14420-1525MG	25	$\phi 1.5$	2876	63	Metal (TO-5)	Borosilicate glass	1.49	-40 to +85	-40 to +105	Peak temperature: 350 °C, once, 3 s max.
S14420-1550MG	50		724	81						
S14420-3025MG	25	$\phi 3.0$	11344	63						
S14420-3050MG	50		2836	81						

*1: No dew condensation

*2: At least 1 mm away from lead roots

Note: Exceeding the absolute maximum ratings even momentarily may cause a drop in product quality. Always be sure to use the product within the absolute maximum ratings.

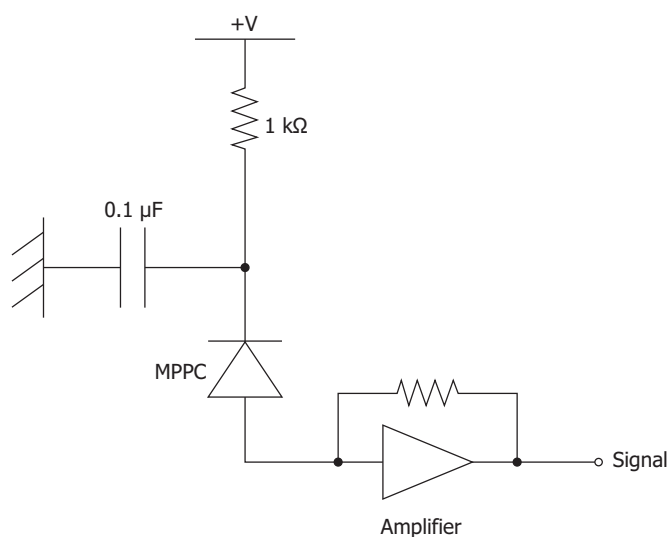
Electrical and optical characteristics

Type no.	Spectral response range λ (nm)	Peak sensitivity wavelength λ_p (nm)	Photon detection efficiency ^{*3} PDE $\lambda = \lambda_p$ (%)	Dark count		Terminal capacitance C_t (pF)	Gain M	Breakdown voltage V_{BR} (V)	Crosstalk probability (%)	Recommended operating voltage ^{*4} V_{op} (V)	Temperature coefficient of recommended operating voltage ΔT_{Vop} (mV/°C)
				Typ. (kcps)	Max. (kcps)						
S14420-1525MG	350 to 1000	600	30	380	1000	90	0.9×10^6	42 ± 5	1.5	$V_{BR} + 5$	47
S14420-1550MG			40				3.6×10^6		5		
S14420-3025MG			30	1600	4000	350	0.9×10^6		1.5		
S14420-3050MG			40				3.6×10^6		5		

*3: Photon detection efficiency does not include crosstalk or afterpulses.

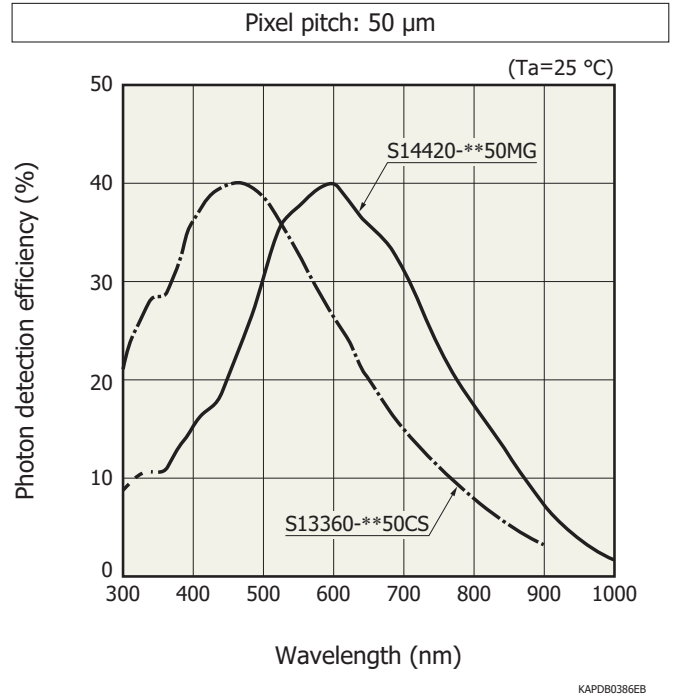
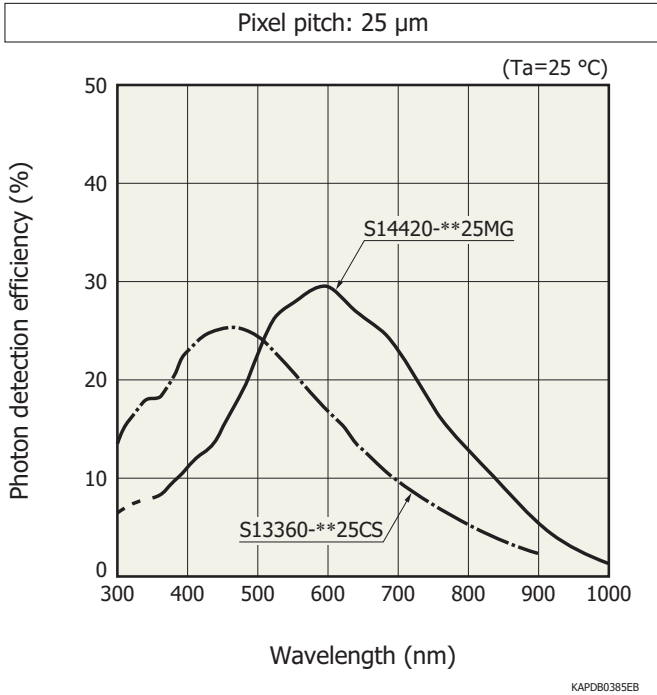
*4: Refer to the data provided with the product.

Connection example



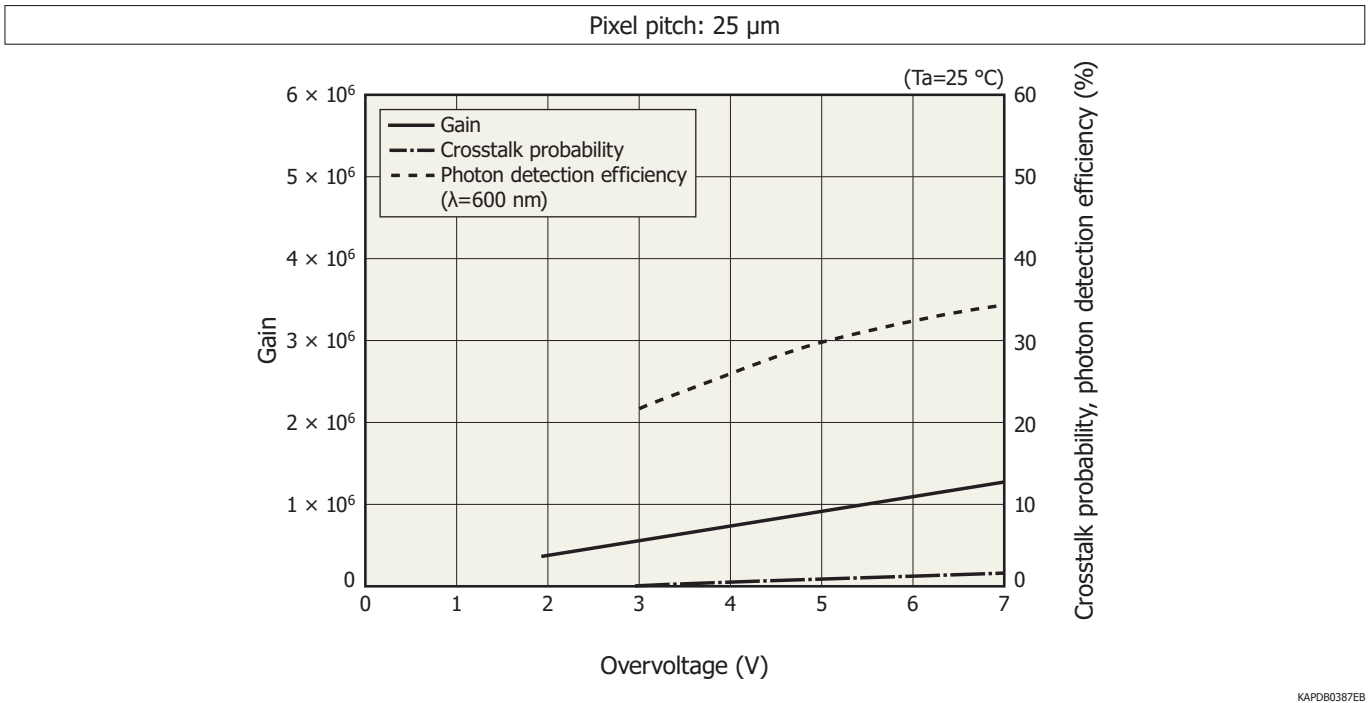
KAPDC0024EB

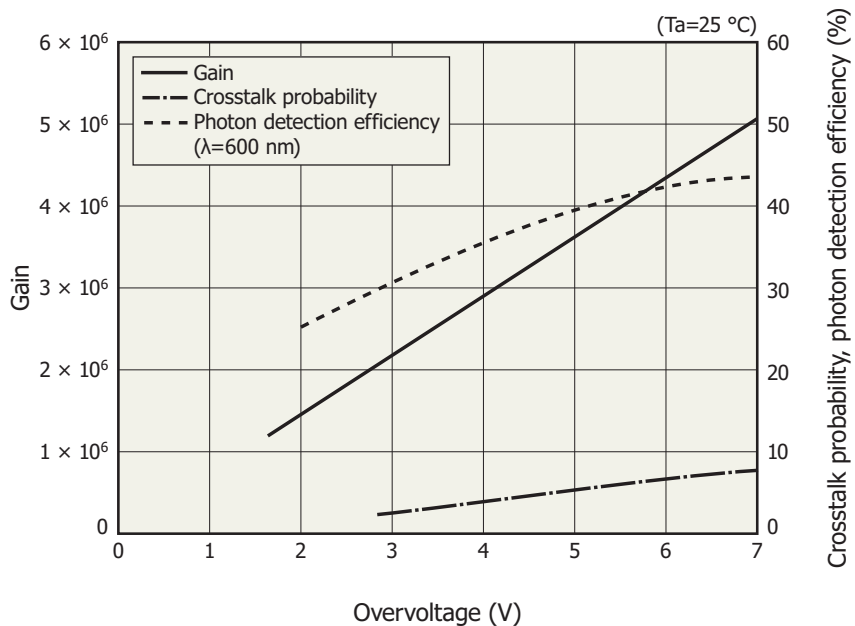
Photon detection efficiency vs. wavelength (typical example)



Photon detection efficiency does not include crosstalk or afterpulses.

Gain, crosstalk probability, photon detection efficiency-overvoltage characteristics (typical example)



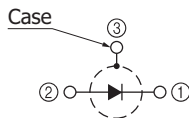
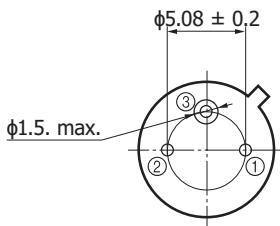
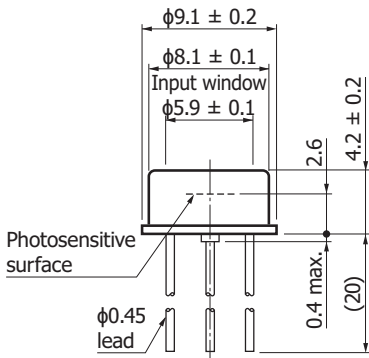
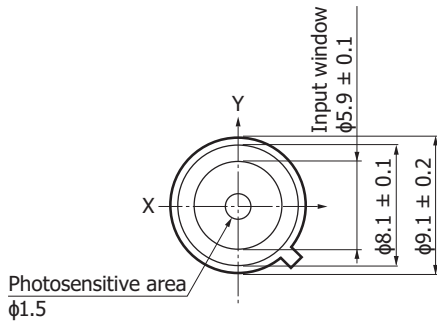
Pixel pitch: 50 μm 

KAPD0388EB

MPPC characteristics vary with the operating voltage. Although increasing the operating voltage improves the photon detection efficiency and time resolution, it also increases the dark count and crosstalk at the same time, so an optimum operating voltage must be selected to match the application.

Dimensional outlines (unit: mm)

S14420-1525MG/-1550MG

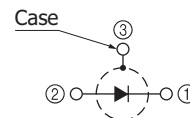
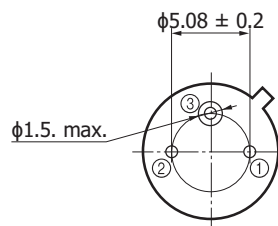
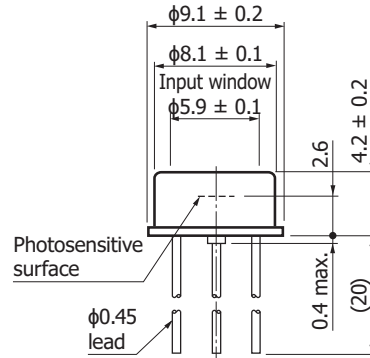
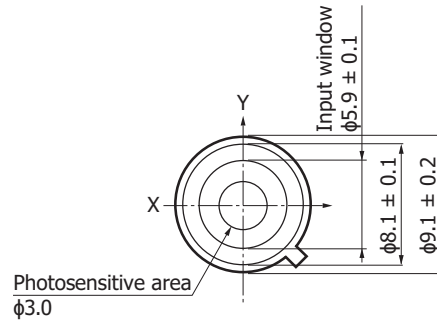


Distance from photosensitive area center to cap center
 $-0.3 \leq X \leq +0.3$
 $-0.3 \leq Y \leq +0.3$

The glass window may extend a maximum of 0.2 mm above the upper surface of the cap.

KAPDA0187EA

S14420-3025MG/-3050MG



Distance from photosensitive area center to cap center
 $-0.3 \leq X \leq +0.3$
 $-0.3 \leq Y \leq +0.3$

The glass window may extend a maximum of 0.2 mm above the upper surface of the cap.

KAPDA0188EA

Precautions

- If necessary, incorporate appropriate protective circuits in power supplies, devices, and measuring instruments to prevent overvoltage and overcurrent.

Related information

www.hamamatsu.com/sp/ssd/doc_en.html

- Precautions
 - Disclaimer
 - Metal, ceramic, plastic package products

Evaluation circuit for MPPC: C14450

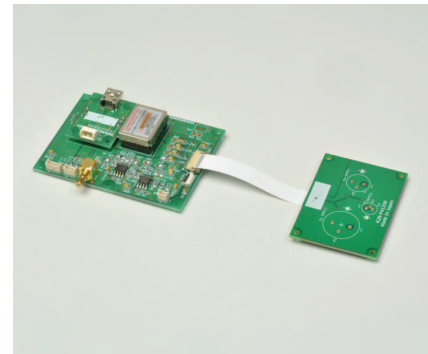
The C14450 is a simple evaluation starter kit for non-cooled visible/near infrared MPPC. MPPC evaluation is possible by mounting an MPPC in the socket of the sensor circuit board. Various types of MPPCs can be evaluated.

The power supply circuit board is equipped with the C11204-01, a high-accuracy, high-voltage power supply that provides the operating voltage for MPPCs. It operates just by connecting to an external power supply (± 5 V). It is also equipped with a USB interface that can be used to set the operating voltage and temperature compensation coefficient from a PC running the supplied sample software.

Features

- Enables the evaluation of non-cooled visible/near infrared MPPCs
- Sensor circuit board with a socket for mounting an MPPC with leads
- Equipped with a high-accuracy, high-voltage C11204-01 power supply
- Adjustable operating voltage and temperature compensation coefficient
- Selectable amplifier usage (the default condition is use)
- Built-in pole-zero cancellation (PZC) circuit (Initial condition: set to a PZC constant appropriate for the S14420-3050MG)
- Analog output

Note: MPPC is sold separately.



Applications

- Simple initial evaluation of MPPCs

MPPC is a registered trademark of Hamamatsu Photonics K.K.

The content of this document is current as of September 2019.

Product specifications are subject to change without prior notice due to improvements or other reasons. This document has been carefully prepared and the information contained is believed to be accurate. In rare cases, however, there may be inaccuracies such as text errors. Before using these products, always contact us for the delivery specification sheet to check the latest specifications.

The product warranty is valid for one year after delivery and is limited to product repair or replacement for defects discovered and reported to us within that one year period. However, even if within the warranty period we accept absolutely no liability for any loss caused by natural disasters or improper product use. Copying or reprinting the contents described in this material in whole or in part is prohibited without our prior permission.

HAMAMATSU

www.hamamatsu.com

HAMAMATSU PHOTONICS K.K., Solid State Division

1126-1 Ichino-cho, Higashi-ku, Hamamatsu City, 435-8558 Japan, Telephone: (81)53-434-3311, Fax: (81)53-434-5184

U.S.A.: Hamamatsu Corporation: 360 Foothill Road, Bridgewater, N.J. 08807, U.S.A., Telephone: (1)908-231-0960, Fax: (1)908-231-1218, E-mail: usa@hamamatsu.com

Germany: Hamamatsu Photonics Deutschland GmbH: Arzbergerstr. 10, D-82211 Herrsching am Ammersee, Germany, Telephone: (49)8152-375-0, Fax: (49)8152-265-8, E-mail: info@hamamatsu.de

France: Hamamatsu Photonics France S.A.R.L.: 19, Rue du Saule Trapu, Parc du Moulin de Massy, 91882 Massy Cedex, France, Telephone: (33)1 69 53 71 00, Fax: (33)1 69 53 71 10, E-mail: infos@hamamatsu.fr

United Kingdom: Hamamatsu Photonics UK Limited: 2 Howard Court, 10 Tewin Road, Welwyn Garden City, Hertfordshire AL7 1BW, United Kingdom, Telephone: (44)1707-294888, Fax: (44)1707-325777, E-mail: info@hamamatsu.co.uk

North Europe: Hamamatsu Photonics Norden AB: Torshamnsgatan 35 16440 Kista, Sweden, Telephone: (46)8-509 031 00, Fax: (46)8-509 031 01, E-mail: info@hamamatsu.se

Italy: Hamamatsu Photonics Italia S.r.l.: Strada della Moia, 1 int. 6, 20020 Arese (Milano), Italy, Telephone: (39)02-93 58 17 33, Fax: (39)02-93 58 17 41, E-mail: info@hamamatsu.it

China: Hamamatsu Photonics (China) Co., Ltd.: B1201, Jiaming Center, No.27 Dongsanhuan Beilu, Chaoyang District, 100020 Beijing, P.R.China, Telephone: (86)10-6586-6006, Fax: (86)10-6586-2866, E-mail: hpc@hamamatsu.com.cn

Taiwan: Hamamatsu Photonics Taiwan Co., Ltd.: 8F-3, No. 158, Section2, Gongdao 5th Road, East District, Hsinchu, 300, Taiwan R.O.C. Telephone: (886)3-659-0080, Fax: (886)3-659-0081, E-mail: info@hamamatsu.com.tw