

ORCA[®]-spark

Digital CMOS camera C11440-36U



The ORCA[®]-spark is a high-sensitivity digital CMOS camera using a 2.3 megapixel CMOS sensor. It has global shutter to achieve a high-speed readout of 65 frames/s, making it ideal for imaging fast moving objects. The ORCA[®]-spark also delivers readout noise levels as low as 6.6 electrons, enabling imaging with high S/N ratio even when capturing images of dark objects.

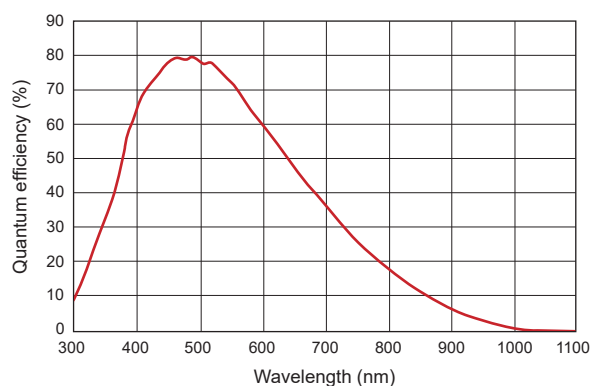
Features

- 2.3 megapixel CMOS sensor
- High-speed readout of approx. 65 frames/s
- Low readout noise of 6.6 electrons
- Wide dynamic range of 5000:1
- Global shutter
- USB 3.0 interface

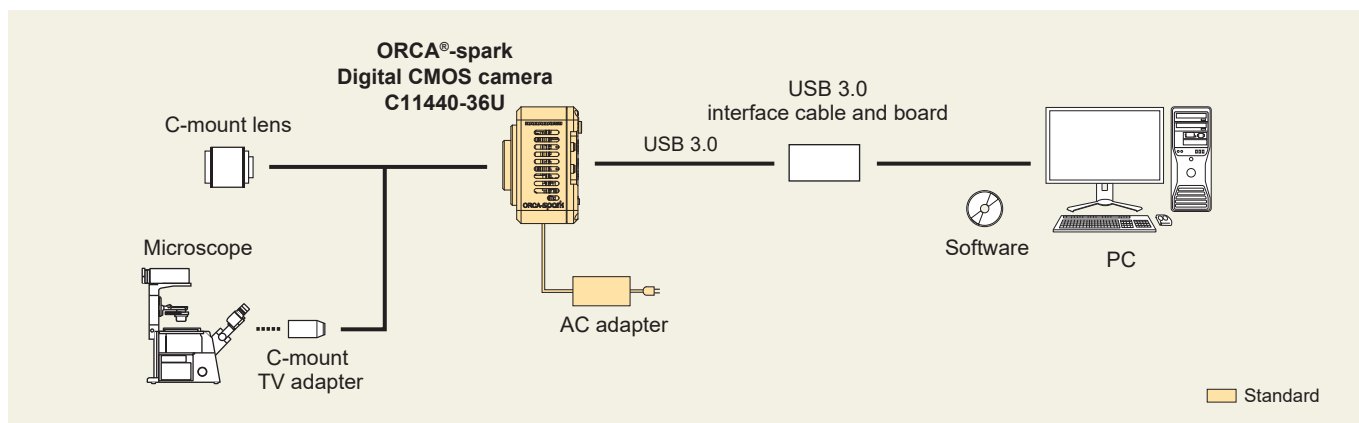
Applications

- Low-light-level imaging
- Microscope observation
- X-ray scintillator readout

Spectral response



System configuration



Specifications

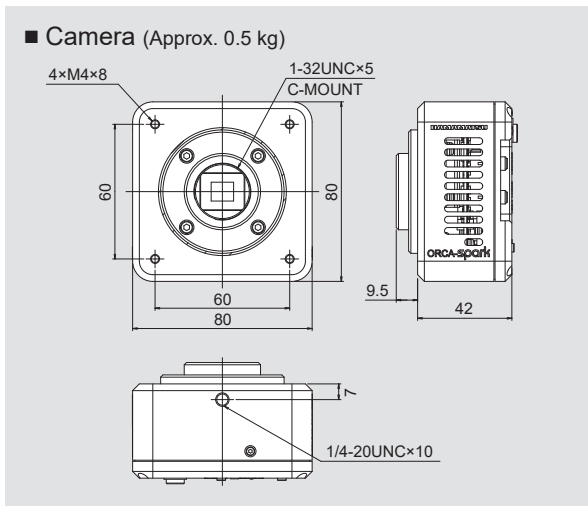
Product number	C11440-36U	
Imaging device	CMOS image sensor	
Effective number of pixels	1920 (H) × 1200 (V)	
Cell size	5.86 μm (H) × 5.86 μm (V)	
Effective area	11.25 mm (H) × 7.03 mm (V)	
Full well capacity (typ.)	33 000 electrons	
Analog gain	1× to 15.8× (240 steps)	
Dynamic range (typ.) *1	5000 : 1	
Frame rate	Full resolution	64.9 frames/s
	2 Line Sub-array	2008.9 frames/s
Readout noise (rms) (typ.)	6.6 electrons	
Digital output	12 bit	
Exposure time	Internal mode	26.17 μs to 10 s
	External trigger mode	26.17 μs to 10 s (Edge trigger, Start trigger) 1 ms to 1 s (Level trigger, Synchronous readout trigger)
External trigger input	Yes	
External trigger input mode	Edge trigger, Level trigger, Synchronous readout trigger, Start trigger	
Trigger delay function	0 s to 10 s in 1 μs steps	
Trigger input connector	SMA	
Trigger output	Programmable timing outputs, Low output, High output, Global exposure timing output, Trigger ready output	
Binning *2	2×2	
Sub-array	Yes	
Interface	USB 3.0 *3	
Lens mount	C-mount	
Connector	USB 3.0 microB type	
Power supply	AC 100 V to AC 240 V, 50 Hz/60 Hz	
Power consumption	Approx. 20 VA	
Ambient operating temperature	0 °C to +40 °C	
Ambient operating humidity	30 % to 80 % at Forced-air cooled (with no condensation)	
Ambient storage temperature	-10 °C to +50 °C	
Ambient storage humidity	90 % max. (with no condensation)	

*1: Calculated from the ratio of the full well capacity and the readout noise.

*2: Digital binning processing in the camera

*3: USB 3.1 Gen 1 compatible

Dimensional outlines (Unit: mm)



- ORCA is a registered trademark of Hamamatsu Photonics K.K. (China, EU, France, Germany, Japan, UK, USA).
- The product and software package names noted in this brochure are trademarks or registered trademarks of their respective manufacturers.
- Subject to local technical requirements and regulations, availability of products included in this brochure may vary. Please consult your local sales representative.
- The product described in this brochure is designed to meet the written specifications, when used strictly in accordance with all instructions.
- The spectral response specified in this brochure is typical value and not guaranteed.
- Specifications and external appearance are subject to change without notice.

© 2023 Hamamatsu Photonics K.K.

Options

Product number	Product name
A12106-05	External trigger cable SMA-BNC 5 m
A12107-05	External trigger cable SMA-SMA 5 m

HAMAMATSU PHOTONICS K.K. www.hamamatsu.com

Systems Division

812 Joko-cho, Higashi-ku, Hamamatsu City, 431-3196, Japan, Telephone: (81)53-431-0124, Fax: (81)53-433-8031, E-mail: export@sys.hpk.co.jp

U.S.A.: HAMAMATSU CORPORATION: 360 Foothill Road, Bridgewater, NJ 08807, U.S.A., Telephone: (1)908-231-0960, Fax: (1)908-231-1218

Germany: HAMAMATSU PHOTONICS DEUTSCHLAND GMBH: Arzbergerstr. 10, 82211 Herrsching am Ammersee, Germany, Telephone: (49)8152-375-0, Fax: (49)8152-265-8 E-mail: info@hamamatsu.de

France: HAMAMATSU PHOTONICS FRANCE S.A.R.L.: 19 Rue du Saule Trapu, Parc du Moulin de Massy, 91882 Massy Cedex, France, Telephone: (33)1 69 53 71 00, Fax: (33)1 69 53 71 10 E-mail: infos@hamamatsu.fr

United Kingdom: HAMAMATSU PHOTONICS UK LIMITED: 2 Howard Court, 10 Tewin Road, Welwyn Garden City, Hertfordshire, AL7 1BW, UK, Telephone: (44)1707-294888, Fax: (44)1707-325777 E-mail: info@hamamatsu.co.uk

North Europe: HAMAMATSU PHOTONICS NORDEN AB: Torshamnsgatan 35 16440 Kista, Sweden, Telephone: (46)8-509 031 00, Fax: (46)8-509 031 01 E-mail: info@hamamatsu.se

Italy: HAMAMATSU PHOTONICS ITALIA S.R.L.: Strada della Moia, 1 int. 6, 20044 Arese (Milano), Italy, Telephone: (39)02-93 58 17 33, Fax: (39)02-93 58 17 41 E-mail: info@hamamatsu.it

China: HAMAMATSU PHOTONICS (CHINA) CO., LTD.: 1201 Tower B, Jianning Center, 27 Dongsanhuan Beilu, Chaoyang District, 100020 Beijing, P.R. China, Telephone: (86)10-6586-6006, Fax: (86)10-6586-2866 E-mail: hpc@hamamatsu.com.cn

Taiwan: HAMAMATSU PHOTONICS TAIWAN CO., LTD.: 13F-1, No.101, Section 2, Gongdao 5th Road, East Dist., Hsinchu City, 300046, Taiwan(R.O.C.), Telephone: (886)3-659-0080, Fax: (886)3-659-0081 E-mail: info@hamamatsu.com.tw

Cat. No. SCAS0114E03
JUN/2023 HPK
Created in Japan