

HAMAMATSU

PRELIMINARY DATA

JAN. 1998

PHOTOMULTIPLIER TUBE R7206-01

**For Photon Counting Applications,
Multialkali Photocathode with Low Dark Counts (300cps Typ.)
φ10mm Effective Area, 28mm(1-1/8 inch) Diameter, Head - On Type**

GENERAL

Parameter		Description	Unit
Spectral Response		300 to 850	nm
Wavelength of Maximum Response		420	nm
Photocathode	Material	Multialkali	—
	Minimum Effective Area	10	mm dia.
Window Material		Borosilicate glass	—
Dynode	Structure	Box and Line	—
	Number of Stages	11	—
Base		14-pin glass base	—
Suitable Socket		E678-14C(supplied)	—

MAXIMUM RATINGS (Absolute Maximum Values)

Parameter		Value	Unit
Supply Voltage	Between Anode and Cathode	1500	Vdc
	Between Anode and Last Dynode	250	Vdc
Average Anode Current		0.01	mA
Ambient Temperature		-80 to +50	°C

CHARACTERISTICS (at 25°C)

Parameter		Min.	Typ.	Max.	Unit
Cathode Sensitivity	Luminous (2856K)	—	150	—	μA/lm
	Radiant at 420 nm	—	64	—	mA/W
	Red/White Ratio (with R-68 filter)	—	0.2	—	μA/lm-b
Anode Sensitivity	Luminous (2856K)	—	1500	—	A/lm
	Radiant at 420 nm	—	6.4×10^5	—	A/W
Gain		—	1×10^7	—	—
Anode Dark counts [Ⓐ]		—	300	1000	cps
Anode Dark Current (after 30min storage in darkness)		—	—	15	nA
Time Response	Anode Pulse Rise Time	—	1.7	—	ns
	Electron Transit Time	—	26	—	ns

NOTE: Anode characteristics are measured with the voltage distribution ratio shown below.

Ⓐ At a supply voltage for a gain of 2×10^6

VOLTAGE DISTRIBUTION RATIO AND SUPPLY VOLTAGE

Electrode	K	Dy1	Dy2	Dy3	Dy4	Dy5	Dy6	Dy7	Dy8	Dy9	Dy10	Dy11	P
Ratio	2	1	1	1	1	1	1	1	1	1	1	1	1

Supply Voltage: 1000Vdc, K: Cathode, Dy: Dynode, P: Anode

Subject to local technical requirements and regulations, availability of products included in this promotional material may vary. Please consult with our sales office. Information furnished by HAMAMATSU is believed to be reliable. However, no responsibility is assumed for possible inaccuracies or omissions. Specifications are subject to change without notice. No patent rights are granted to any of the circuits described herein. ©1998 Hamamatsu Photonics K.K.

PHOTOMULTIPLIER TUBES R7206-01

Figure 1: Typical Spectral Response

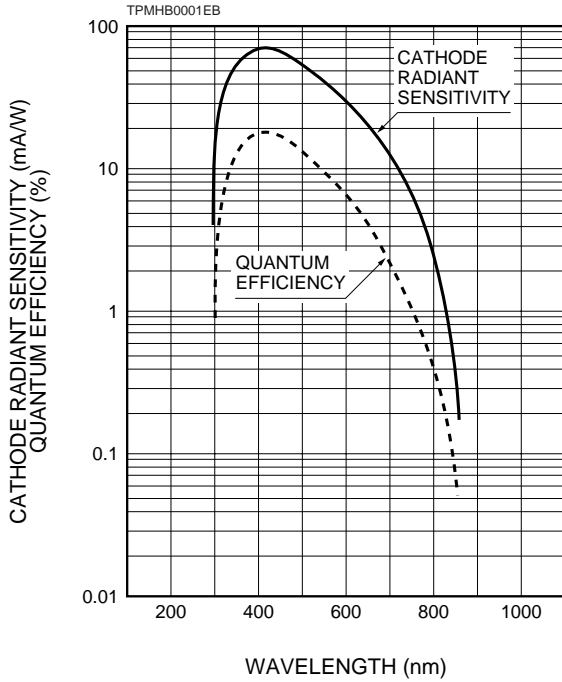


Figure 2: Typical Gain

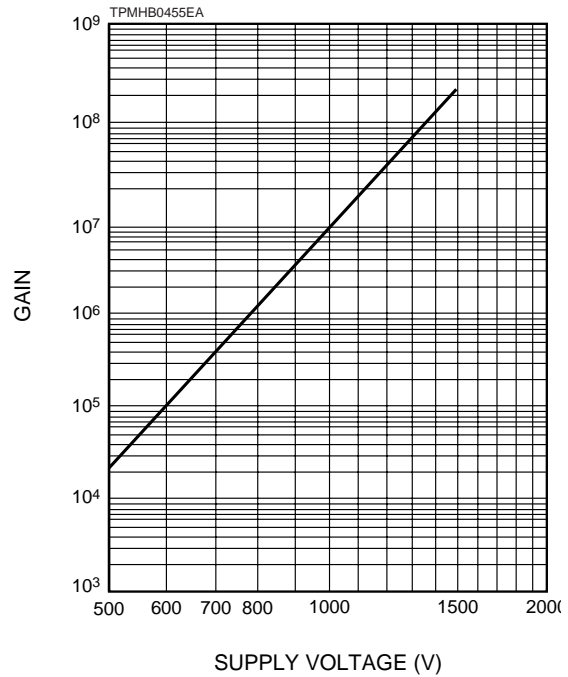


Figure 3: Typical Single Photoelectron Pulse Height Distribution

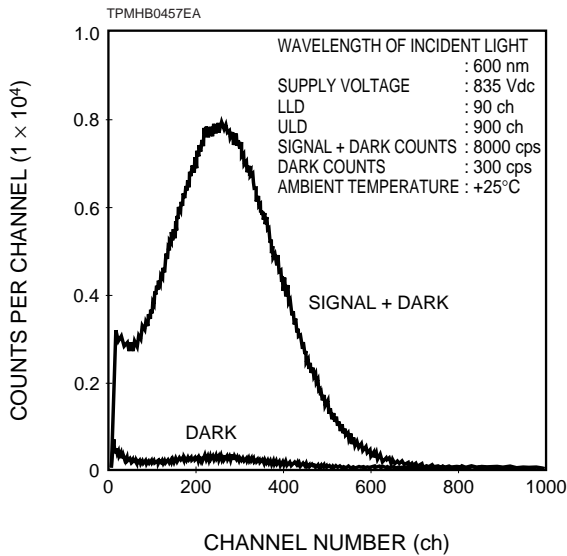
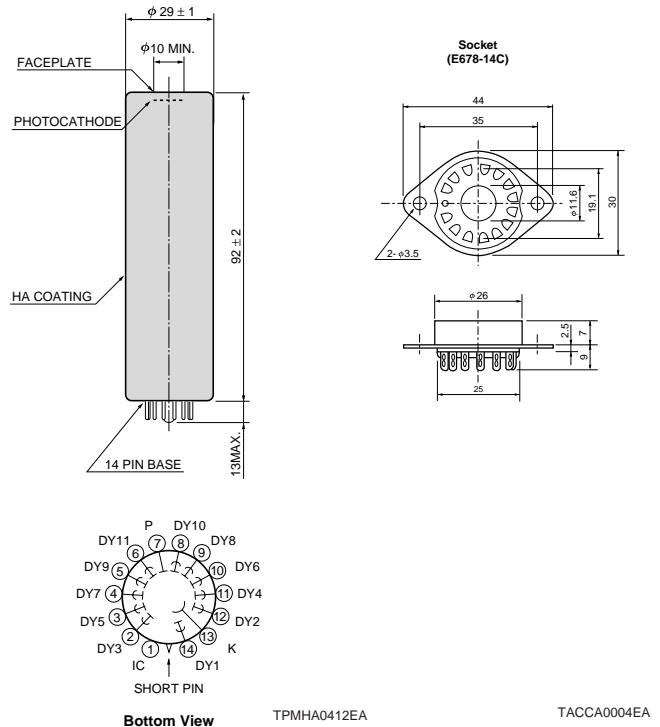


Figure 4: Dimensional Outline and Basing Diagram (Unit: mm)



HAMAMATSU

HAMAMATSU PHOTONICS K.K., Eelectron Tube Center

314-5, Shimokanzo, Toyooka-village, Iwata-gun, Shizuoka-ken, 438-0193, Japan, Telephone: (81)539/62-5248, Fax: (81)539/62-2205

U.S.A.: Hamamatsu Corporation: 360 Foothill Road, Bridgewater, N.J. 08807-0910, U.S.A., Telephone: (1)908-231-0960, Fax: (1)908-231-1218

Germany: Hamamatsu Photonics Deutschland GmbH: Arzbergerstr. 10, D-82211 Herrsching am Ammersee, Germany, Telephone: (49)8152-375-0, Fax: (49)8152-2658

France: Hamamatsu Photonics France S.A.R.L.: 8, Rue du Saule Trapu, Parc du Moulin de Massy, 91882 Massy Cedex, France, Telephone: (33)1 69 53 71 00, Fax: (33)1 69 53 71 10

United Kingdom: Hamamatsu Photonics UK Limited: Lough Point, 2 Gladbeck Way, Windmill Hill, Enfield, Middlesex EN2 7JA, United Kingdom, Telephone: (44)181-367-3560, Fax: (44)181-367-6384

North Europe: Hamamatsu Photonics Norden AB: Färögatan 7, S-164-40 Kista Sweden, Telephone: (46)8-703-29-50, Fax: (46)8-750-58-95

Italy: Hamamatsu Photonics Italia: S.R.L.: Via Della Moia, 1/E, 20020 Arese, (Milano), Italy, Telephone: (39)2-935 81 733, Fax: (39)2-935 81 741

TPMH1196E01

JAN. 1998 SI

Printed in Japan (500)