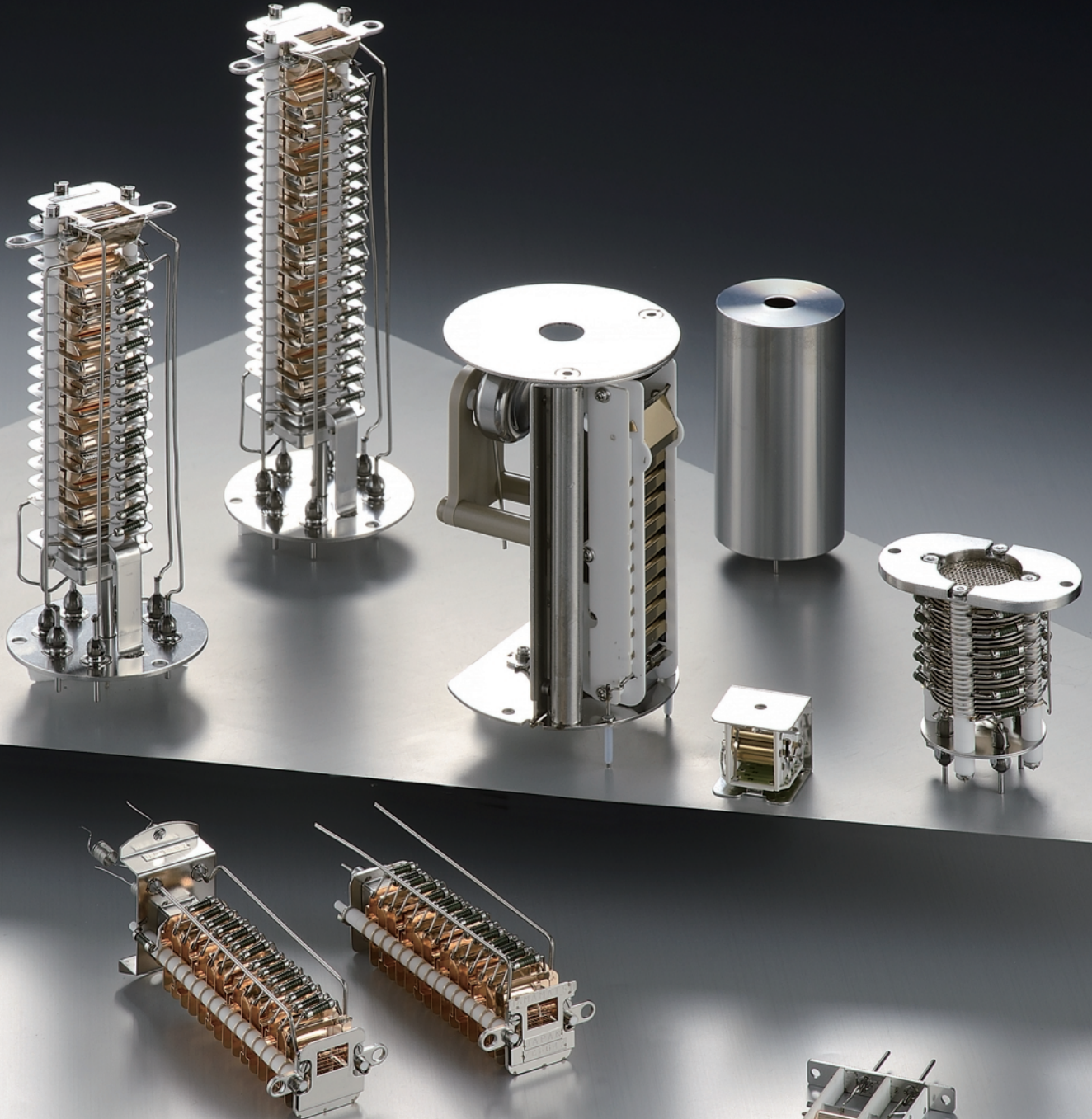


HAMAMATSU

PHOTON IS OUR BUSINESS

ELECTRON MULTIPLIERS



■ FEATURES

- High gain
- Wide dynamic range
- High reliability
- Custom products available

■ APPLICATIONS

- Mass spectrometers
- Gas analyzers
- Electron spectrometers
- Vacuum UV spectrometers

HAMAMATSU PHOTONICS K.K.

PRODUCT LINE-UP

Electron multipliers are mainly used as positive/negative ion detectors. They are also useful for detecting and measuring vacuum UV rays and soft X-rays. Hamamatsu electron multipliers have a high gain (multiplication factor) yet low dark current, allowing operation in photon counting mode to detect and measure extremely small incoming particles and their energy. This means our Hamamatsu electron multipliers are ideal for electron spectroscopy, vacuum UV spectroscopy such as ESCA (electron spectroscopy for chemical analysis) and Auger electron spectroscopy as well as mass spectroscopy and field-ion microscopy.

Type No.	Structure	Dynode			Characteristics						
		Number of stages	Material	Input aperture size (mm)	Supply voltage (V)	Gain Typ.	Rise time Typ. (ns)	Dark current Typ. (pA)	Total resistance (MΩ)	Detection ion polarity	Anode to all other electrode capacitance (pF)
R4146-10	Linear-focused	18	Cu-BeO	8 × 1	-1800	1 × 10 ⁷	3.5	0.1	21	Positive	4.0
R6985-80	Box-and-line	19	Al ₂ O ₃	φ11	-1900	1 × 10 ⁶	4.5	0.1	17.15	Positive/negative ^②	1.8
R8811	Circular-cage	13	Al ₂ O ₃	φ3	-1500	1 × 10 ⁵	1.6	0.1	13	Positive	0.8
R2362	Coarse mesh	23	Cu-BeO	φ20	-2700	1 × 10 ⁶	3.5	1	23	Positive	23
R5150-10	Box-and-line	17	Cu-BeO	φ8	-1800	1 × 10 ⁷	1.7	0.1	19.5	Positive	4.0
R474	Box-and-grid	16	Cu-BeO	8 × 6	-1500	1 × 10 ⁶	11.8	0.1	16 ^①	Positive	5.0
R515	Box-and-grid	16	Cu-BeO	8 × 6	-1500	1 × 10 ⁶	11.8	0.1	16 ^①	Positive	4.0
R596	Box-and-grid	16	Cu-BeO	12 × 10	-1500	2 × 10 ⁶	12.6	0.1	16	Positive	9.0
R595	Box-and-grid	20	Cu-BeO	12 × 10	-1500	4 × 10 ⁶	14.4	0.1	20	Positive	9.0

① 1 MΩ resistor is connected between Dynode 1 and Dynode 2. Remove 1 MΩ resistor connected between Dynode 1 and Dynode 2 when Dynode 1 is used as Faraday cup.
 ② Supply a negative potential to the conversion dynode when detecting positive ions. Supply a positive potential when detecting negative ions.

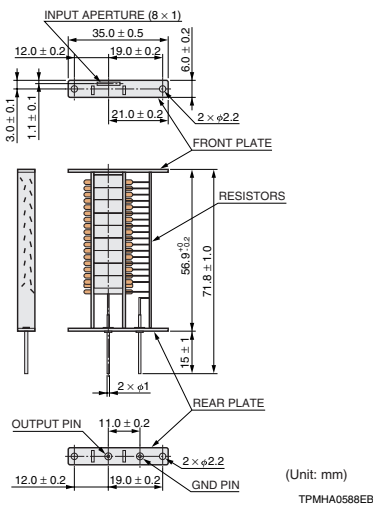
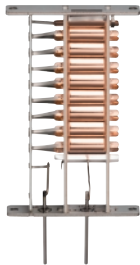
R4146-10

■Features

Thin configuration
Can be stacked side-by-side

Mounting plate potential

Front plate: -HV
Rear plate: GND



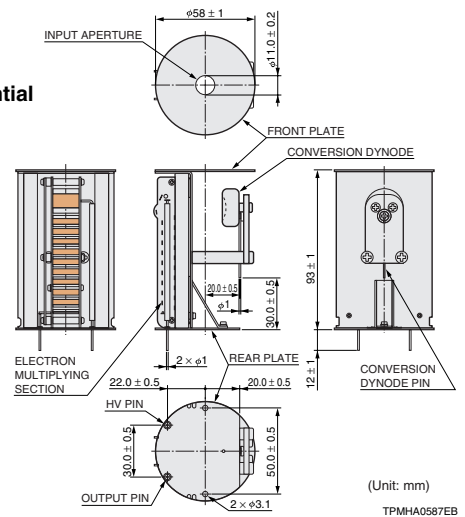
R6985-80

■Features

Conversion dynode

Mounting plate potential

Rear plate: GND



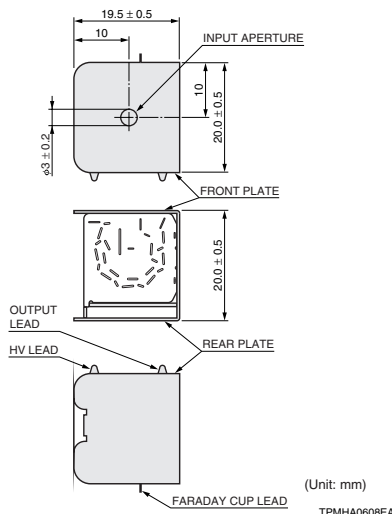
R8811

■Features

Small, lightweight
Includes Faraday cup

Mounting plate potential

Front plate (case): GND



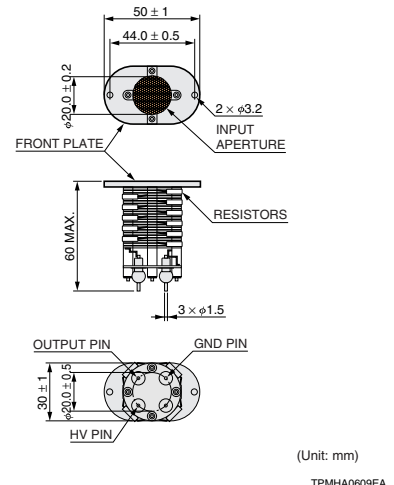
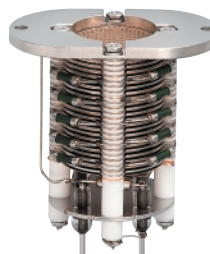
R2362

■Features

Wide detection area

Mounting plate potential

Front plate: -HV



Electron multipliers listed in this catalog are standard products. We welcome requests for custom products. Please contact us with your needs.

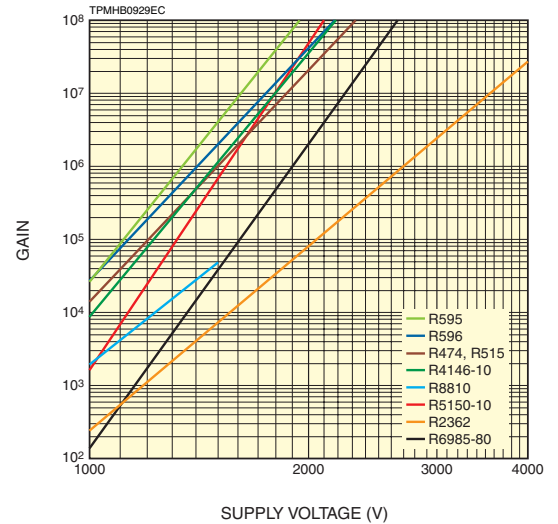
Maximum ratings

Operating gain ^④	Anode to first dynode voltage (V) ^④	Conversion voltage (kV)	Faraday cup voltage (V)	Average anode current (μA)	Bake-out temperature 1×10 ⁻⁴ Pa (°C)	Operating vacuum level (Pa)
1 × 10 ⁸	2500	—	—	10	350	1 × 10 ⁻²
1 × 10 ⁸	3000	±10 ^②	—	10	— ^③	1 × 10 ⁻²
5 × 10 ⁶	2000	—	-200	10	350	1 × 10 ⁻²
1 × 10 ⁸	4000	—	—	10	350	1 × 10 ⁻²
1 × 10 ⁸	3500	—	—	10	350	1 × 10 ⁻²
1 × 10 ⁸	4000	—	-100	10	350	1 × 10 ⁻²
1 × 10 ⁸	4000	—	-100	10	350	1 × 10 ⁻²
1 × 10 ⁸	4000	—	—	10	350	1 × 10 ⁻²
1 × 10 ⁸	5000	—	—	10	350	1 × 10 ⁻²

③ Do not perform baking on the R6985-80.

④ Use a supply voltage that does not cause the operating gain to exceed its maximum rating.

Gain characteristics



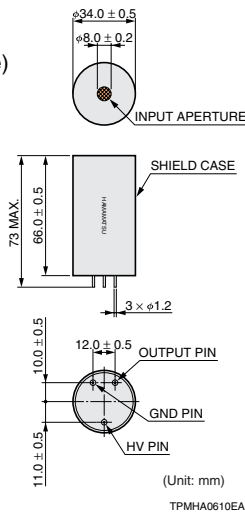
R5150-10

Features

Easy handling
(contained in a case)

Mounting plate potential

Shield case: GND



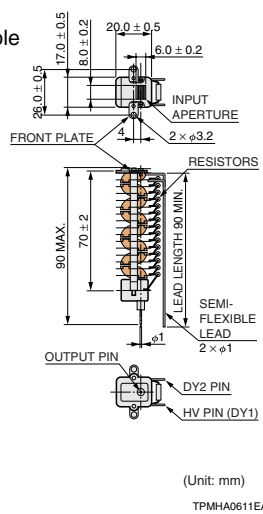
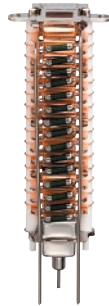
R474

Features

First dynode usable
as Faraday cup

Mounting plate potential

Front plate: -HV



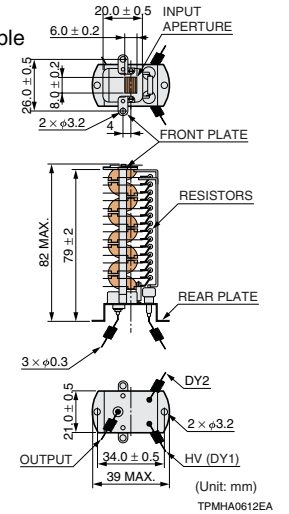
R515

Features

First dynode usable
as Faraday cup

Mounting plate potential

Front plate: -HV
Rear plate: GND



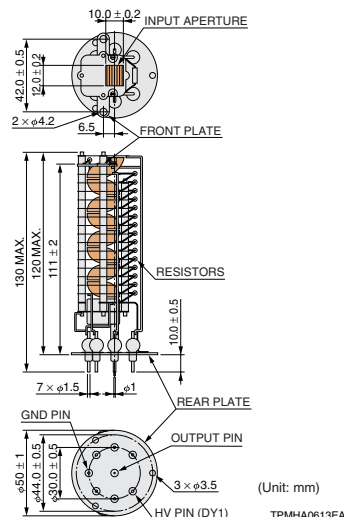
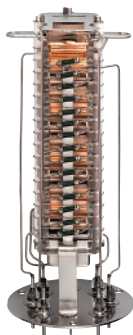
R596

Features

Wide detection area

Mounting plate potential

Front plate: -HV
Rear plate: GND



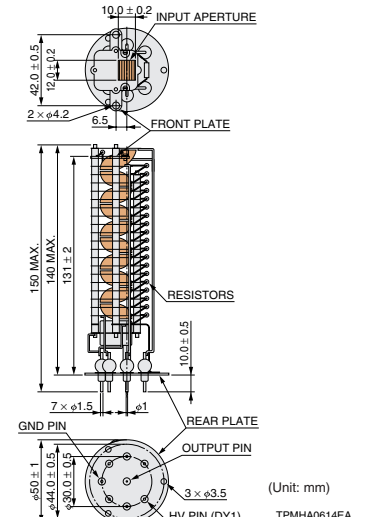
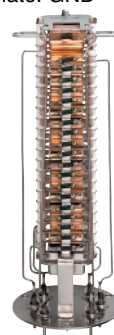
R595

Features

High gain
Wide detection area

Mounting plate potential

Front plate: -HV
Rear plate: GND



CONSTRUCTION AND OPERATING PRINCIPLE

An electron multiplier mainly consists of a input aperture, an electron multiplying section (dynode section), an anode, and voltage-divider resistors.

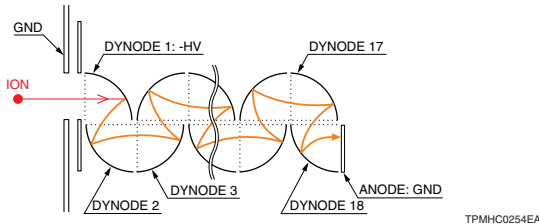
Electron multipliers operate in a vacuum and guide the particles or rays (positive/negative ions, vacuum UV rays, soft X-rays, etc.) so as to enter the first dynode. The first dynode is excited by such particles or rays and emits secondary electrons from its surface. These electrons are multiplied in cascade by the second and following dynodes and a cluster of secondary electrons finally reaches the anode and is output as a signal.

ELECTRON MULTIPLYING SECTION

Electron multipliers operate with a high S/N ratio since they have low noise and high gain. This low noise and high gain is achieved by an electron multiplying section made up of 13 to 23 stages of electrodes called dynodes. Before using an electron multiplier, it is first exposed to air once and then installed in equipment. The dynode therefore uses materials that exhibit stable characteristics and less deterioration even when exposed to air. Hamamatsu electron multipliers are designed and produced based on our advanced technology for photomultiplier tubes and so have high performance. The dynode structures in the electron multiplying section are described below.

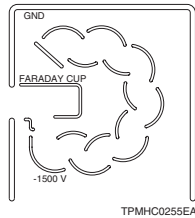
1) Box-and-grid type

This type consists of a train of quarter cylindrical dynodes and offers good electron collection efficiency and excellent uniformity. This type is likely to resist voltage breakdown even when a high voltage is supplied.



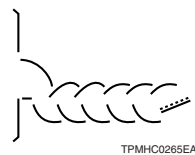
2) Circular-cage type

The circular-cage type features a compact design and fast time response.

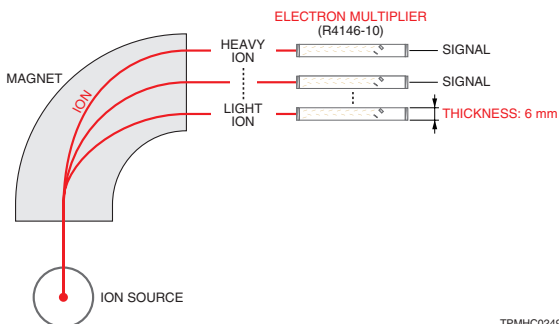


3) Linear-focused type

The linear-focused type exhibits fast time response and has a thin configuration that is easy to design and use.

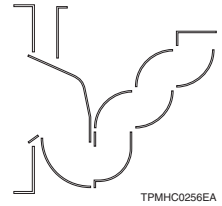


Because of these advantages the linear-focused type is frequently used in magnetic field deflection mass spectrometers where multiple detectors need to be installed side-by-side.



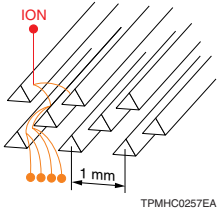
4) Box-and-line type

The structure of this type consists of a combination of box-and-grid and linear-focus dynodes. This type offers better time response than the box-and-grid type and higher ion collection efficiency than the linear-focused type.



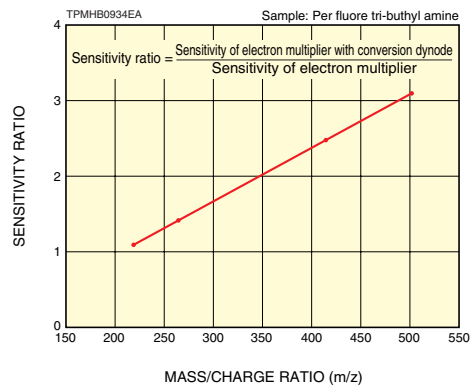
5) Coarse mesh type

This type has a structure of wire dynodes with a triangle cross section stacked in the form of a mesh. This structure ensures excellent linearity and is less affected by magnetic fields. Compared to other dynode structures this type makes it easier to design a detector with a wider effective area.



CONVERSION DYNODE (CD)

The acceleration of ions differs according to their mass. The speed at which ions enter the first dynode affects the secondary electron emission efficiency, so the higher the speed, the better the efficiency. When detecting ions with a large mass (for example, polymer compounds), the ions must be accelerated by a high potential to obtain a speed great enough to maintain a sufficient secondary electron emission efficiency. Conversion dynodes (CD) are usually used to give a high potential to such ions with a large mass.

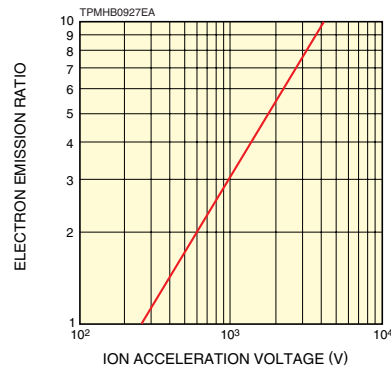


SENSITIVITY

Electron multipliers can be used to detect and measure ions, vacuum UV rays, soft X-rays, and other rays by selecting a particular material for the first dynode.

1) Ions

When one ion enters and strikes the first dynode, multiple electrons are emitted from the first dynode. The number of the emitted electrons depends on the mass of the ion and the acceleration voltage. The figure below shows how the electron emission ratio depends on the acceleration voltage when detecting nitrogen ions.



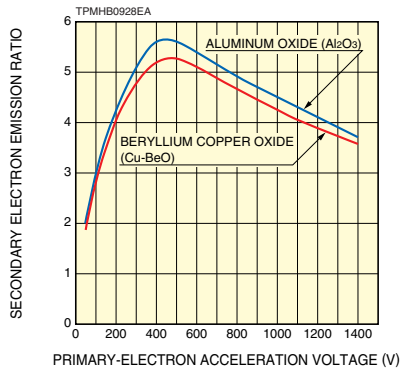
2) Light

Hamamatsu electron multipliers use beryllium copper oxide (Cu-BeO) or aluminum oxide (Al₂O₃) for the first dynode. Beryllium copper oxide is sensitive to soft X-rays to UV light at around 300 nm.

Depending on the wavelength incident on the first dynode or the usage, the first dynode can be replaced with a dynode on which an alkali-halide material is deposited. This gives the first dynode spectral response characteristics starting from just a few nanometers.

3) Electrons

The material used for the first dynode also has sensitivity to electrons having an energy level exhibited by Auger electrons, secondary electrons, and reflection electrons. The figure below shows the relation between the primary-electron acceleration voltage for beryllium copper oxide and aluminum oxide and the secondary electron emission ratio. The secondary electron emission ratio is at a maximum when the primary-electron acceleration voltage is about 400 V to 500 V.



GAIN

The gain of an electron multiplier is given by the following equation:

$$\text{Gain } (\mu) = A \times E_{bb}^{kn}$$

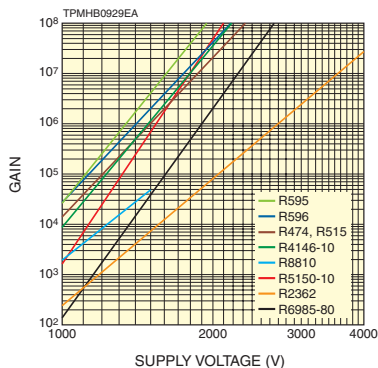
A : constant

E_{bb}: supply voltage

k : value determined by electrode structure and material

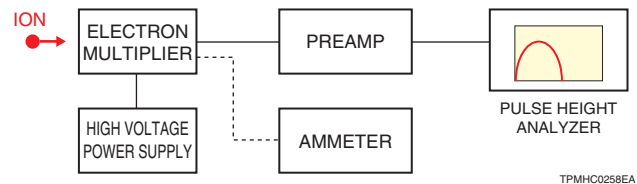
n : number of dynode stages

This equation reveals that the gain (μ) is proportional to the supply voltage. The figure below shows how the gain of typical electron multipliers varies with the supply voltage.



The circuit system shown in the following block diagram can be used to measure the gain of an electron multiplier operating under single ion input conditions. The pulse height analyzer measures the total number of counts per second; and the ammeter measures the output current value under the same conditions. The gain is then calculated by "output current/elementary charge/number of counts per second."

Block diagram for gain measurement



TPMH0258EA

If an oscilloscope is used, the gain can be calculated by the "area of output pulse waveform (charge amount) divided by the elementary charge." When using an electron multiplier equipped with a Faraday cup, the gain can also be expressed as the ratio of the anode output current after multiplication by dynode to the input current to the Faraday cup.

DARK CURRENT AND NOISE

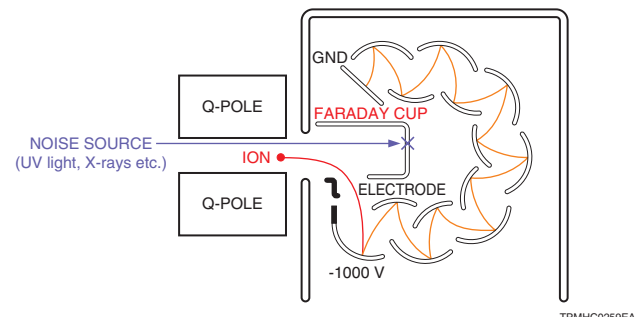
The beryllium copper oxide and aluminum oxide used for the secondary emissive surface of dynodes have a high work function and so exhibit exceptionally low dark current and noise. Dark current and noise may be generated by the following three factors:

- ① Thermionic electrons are emitted from secondary electron emissive surface of dynode
- ② Leakage current from dynode support materials
- ③ Field emission electron current of dynode

Hamamatsu electron multipliers have dark current of about 1 pA when supply voltage providing a gain of 10⁶.

ION SOURCE NOISE

In some mass spectrometers, an ion source, analyzer, and ion detector are arrayed in a straight line. The ion source ionizes a sample but at the same time generates UV light and X-rays. These UV light and X-rays will cause noise if they pass through the analyzer and enter the electron multiplier. This noise is referred to as "ion source noise". To reduce this noise component, the first dynode or conversion dynode is arranged at a position slightly offset from the ion input aperture and an electric field lens created by a special electrode is used to allow only the sample ions to enter the first dynode or conversion dynode. This is called an "off-axis structure". The figure below shows the ion detection mechanism of an off-axis electron multiplier.



TPMH0259EA

VACUUM LEVEL AND NOISE

The vacuum level affects the generation of noise in an electron multiplier. The noise is usually low at a vacuum level for example of 10⁻⁵ Pa, but increases as the vacuum level drops for example to 0.1 Pa. We recommend operating the electron multiplier at a vacuum level higher than about 10⁻² Pa although the level may depend on the operating gain and the type of detector.

DC LINEARITY

Electron multipliers are shipped with a voltage-divider circuit assembled inside. The current that will flow in the voltage-divider circuit can be calculated by the total resistance of the voltage-divider circuit divided by the supply voltage. The relation between the input ion energy and the average anode current maintains an ideal linearity in a certain energy range. However, as the input energy increases or the amount of input ions increases, the output current also increases and becomes saturated near the value of the current flowing in the voltage-divider circuit. To maintain the ideal linearity, we recommend regulating the average anode current to 1/20th or less of the current flowing in the voltage-divider circuit.

To achieve a high counting efficiency, it is necessary to choose a linear-focused-dynode electron multiplier that has fast time response and a voltage-divider circuit with lower total resistance. However, please note that the voltage-divider circuit is likely to generate more heat as the resistance is lowered.

LIFE CHARACTERISTICS

The lifetime of electron multipliers is usually affected by the operating gain, output current and the operating vacuum level. The following three factors are the main limits on the lifetime.

- ① Deterioration in the first dynode or conversion dynode by incident ions
- ② Deterioration in the secondary electron emission capability of dynodes near the last stage, which is caused by collision of large amounts of electrons
- ③ Contamination adhering to the secondary emissive surface

We conducted in-house testing by operating our electron multipliers under conditions where residual gases (carbon) are present and analyzed the results. Larger amounts of carbon deposits were detected on the latter dynode stages where the electron density was high, so we think that the contamination (residual gases, etc.) inside the analyzer (especially the vacuum chamber) has a significant effect on the lifetime.

Also, unlike photomultiplier tubes, electron multipliers are not completely sealed and so may possibly be exposed to surrounding gases, moisture, oil or grease and other items during storage, causing deterioration in the characteristics.

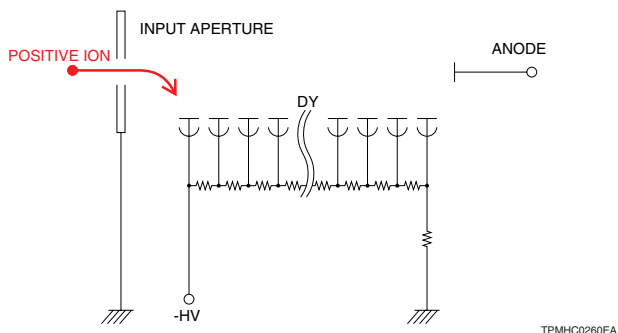
CONNECTION METHODS

The inter-electrode voltage is supplied through a voltage-divider circuit made up of resistors connected in series.

The connection methods are described below according to the polarity of the ions to detect.

① Positive ion detection

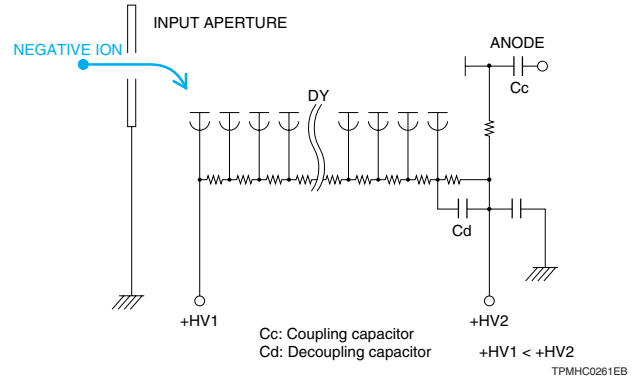
As shown in the figure below, the input aperture and the last dynode are grounded and a negative high voltage is supplied to the first dynode during operation.



② Negative ion detection

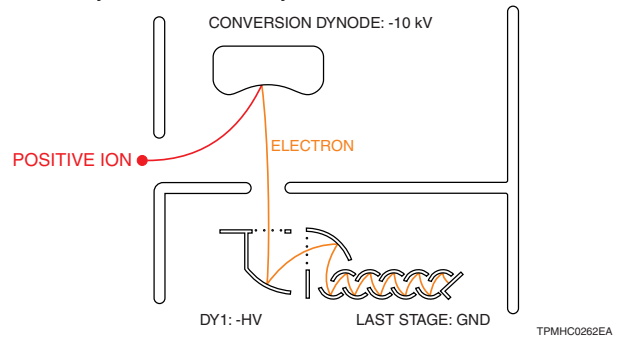
As the following figure shows, the input opening is grounded, a positive high voltage (+HV1) is supplied to the first dynode to draw negative ions, and another positive high voltage (+HV2) to the last dynode. The difference in voltage between

+HV1 and +HV2 creates a difference in potential. The last dynode is connected to the anode via resistor, and a coupling capacitor is connected to the anode to prevent the positive high voltage from being input to the externally connected measuring device. This means that DC signals cannot be extracted by this measurement method.



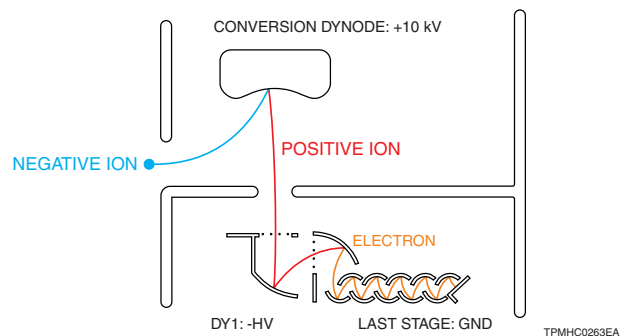
③ Positive ion detection using electron multiplier with conversion dynode

When measuring positive ions, a negative high voltage (about -10 kV) is supplied to the conversion dynode, another negative high voltage is applied to the first dynode, and the last dynode is grounded. Positive ions are converted into electrons by the conversion dynode.



④ Negative ion detection using electron multiplier with conversion dynode

When measuring negative ions, a positive high voltage (about +10 kV) is supplied to the conversion dynode, a negative high voltage is applied to the first dynode, and the last dynode is grounded. Negative ions are converted into positive ions by the conversion dynode and the positive ions are then converted into electrons by the first dynode.

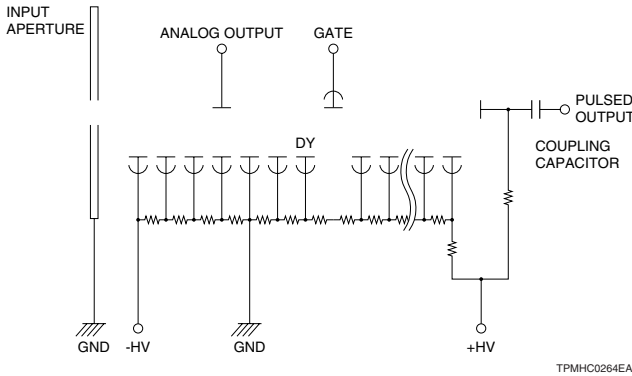


⑤ Faraday cup

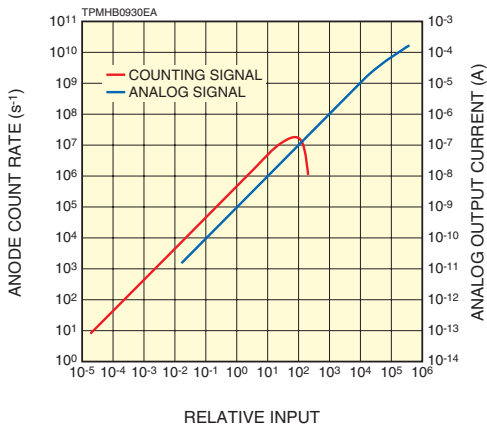
Hamamatsu also provides electron multipliers equipped with a Faraday cup function. The Faraday cup function and electron multiplying function cannot be used simultaneously. If a high voltage is supplied to the electron multiplying section while operating the Faraday cup, the incoming ions shift their trajectories toward the electron multiplying section and so fail to reach the Faraday cup.

⑥ Dual-mode electron multiplier

Dual mode allows both the analog output and pulse output to be measured with just one detector. As the figure below shows, the analog output is measured at an intermediate stage of the electron multiplying section while the pulse output is measured at the last stage.



When the amount of ions is very small, a pulse output function which provides high gain is used to count the output pulses. When the amount of ions is large, the analog output with low gain is used to make measurement. This prevents the detector from being saturated and allows measurements ranging from a small to a large quantity of ions. As seen from the figure below, a wide dynamic range of 9 orders of magnitude can be obtained.



We are fully capable of developing and producing dual-mode electron multipliers to meet special customer requests.

SAFETY PRECAUTIONS

High voltage is used to operate an electron multipliers and related products. When using these products, provide adequate safety measures by taking precautions to prevent operators and workers from receiving electrical shocks as well as equipment damage.

HANDLING PRECAUTIONS

- (1) An electron multiplier consists of electrodes and substrates that are precision-assembled. Applying excessive force or shock might deform them and cause faulty operation. Handle the electron multipliers as carefully as possible.
- (2) Electron multipliers are shipped in packages filled with nitrogen (N₂) gas. Those packages are intended for use during shipping and are not suited for long-term storage. When storing an electron multiplier, keep it in a clean case under either of the following conditions a) and b), even before unpacking and also after unpacking.
 - a) Store in a clean case at a vacuum pressure below 13 Pa and isolated much as possible from oil or grease.
 - b) Store in a clean case where dry nitrogen flows constantly while passed through a 0.45 μm or smaller filter (humidity: 20 % or less).
- (3) When using an electron multiplier and its peripheral parts for the first time or when re-operating after storage, perform vacuum baking or carry out degassing under high vacuum conditions (at a pressure below 10⁻² Pa) for more than 24 hours before attempting operation.
- (4) Vacuum baking cannot be performed on some types of electron multipliers depending on what materials are used or how they are processed. Please consult us for detailed information before attempting vacuum baking. After performing vacuum baking on an electron multiplier do not attempt to operate it until its temperature decreases to 50 °C or less.
- (5) When installing an electron multiplier in equipment, take the following precautions:
 - Wear clean powder-free nylon or polyethylene gloves and do not handle with bare hands.
 - When wiring to the electron multiplier keep the leads at least 5 mm away from other metallic parts.
 - To prevent abnormal discharges, do not bring any pointed objects close to the electron multiplier.
 - Use a shielded cable for the signal cable that connects the anode output to an amplifier and subsequent device. The shielded cable should be as short as possible.
- (6) Each electron multiplier must be operated at a vacuum level higher than the maximum operating vacuum level. If operated at a lower vacuum level the residual gas molecules might discharge or light emissions might occur, leading to fatal damage to the electron multiplier.
- (7) Do not operate any of the electron multipliers at a gain or supply voltage higher than specified. Operation at a higher gain or supply voltage may promote deterioration of the gain, increase the output drift and noise, and degrade the linearity.
- (8) Do not draw a higher output current than necessary. Excessive output current may impair the signal linearity and degrade the life characteristics.

OTHERS

- (1) We are constantly making every effort to improve product quality and reliability but this does not guarantee the safety of electron multipliers. When using an electron multiplier in equipment where there is a risk of death, injury, or damage to property, please be sure to provide appropriate safety design and measures that take potential problems fully into account.
- (2) When giving instructions to the end user about how to use electron multipliers or the equipment used along with an electron multiplier, please explain the functions, performance, and correct handling of the electron multiplier and equipment, as well as appropriate warnings and displays, etc.

WARRANTY

As a general rule, Hamamatsu electron multipliers and their related products are warranted for a period of one year from the date of delivery. The warranty is limited to replacement of defective products.

However, the warranty shall not apply to the following cases and you will be charged for replacement of the product.

- (1) Malfunction or damage was caused by incorrect use or modification.
- (2) Malfunction or damage was caused by natural or man-made disasters, or other inevitable accidents.

WHEN DISPOSE THE PRODUCT

When disposing of an electron multiplier, take appropriate measures in compliance with applicable regulations regarding waste disposal and correctly dispose of it yourself, or entrust proper disposal to a licensed industrial waste disposal company. In any case, be sure to comply with the regulations in your country or state to ensure correct disposal.

Subject to local technical requirements and regulations, availability of products included in this promotional material may vary. Please consult with our sales office.

Information furnished by HAMAMATSU is believed to be reliable. However, no responsibility is assumed for possible inaccuracies or omissions. Specifications are subject to change without notice. No patent rights are granted to any of the circuits described herein. ©2019 Hamamatsu Photonics K.K.

HAMAMATSU PHOTONICS K.K. www.hamamatsu.com

HAMAMATSU PHOTONICS K.K., Electron Tube Division

314-5, Shimokanzo, Iwata City, Shizuoka Pref., 438-0193, Japan, Telephone: (81)539/62-5248, Fax: (81)539/62-2205

U.S.A.: Hamamatsu Corporation: 360 Foothill Road, Bridgewater, NJ 08807, U.S.A., Telephone: (1)908-231-0960, Fax: (1)908-231-1218 E-mail: usa@hamamatsu.com

Germany: Hamamatsu Photonics Deutschland GmbH: Arzbergerstr. 10, D-82211 Hersching am Ammersee, Germany, Telephone: (49)8152-375-0, Fax: (49)8152-265-8 E-mail: info@hamamatsu.de

France: Hamamatsu Photonics France S.A.R.L.: 19, Rue du Saule Trapu, Parc du Moulin de Massy, 91882 Massy Cedex, France, Telephone: (33)1 69 53 71 00, Fax: (33)1 69 53 71 10 E-mail: infos@hamamatsu.fr

United Kingdom: Hamamatsu Photonics UK Limited: 2 Howard Court, 10 Tewin Road, Welwyn Garden City, Hertfordshire AL7 1BW, UK, Telephone: (44)1707-294888, Fax: (44)1707-325777 E-mail: info@hamamatsu.se

North Europe: Hamamatsu Photonics Norden AB: Torshamnsgatan 35 16440 Kista, Sweden, Telephone: (46)8-509 031 00, Fax: (46)8-509 031 01 E-mail: info@hamamatsu.se

Italy: Hamamatsu Photonics Italia S.r.l.: Strada della Moia, 1 int. 6, 20020 Arese (Milano), Italy, Telephone: (39)02-93 58 17 33, Fax: (39)02-93 58 17 41 E-mail: info@hamamatsu.it

China: Hamamatsu Photonics (China) Co., Ltd.: 1201 Tower B, Jiaming Center, 27 Dongsanhuan Bellu, Chaoyang District, 100020 Beijing, P.R.China, Telephone: (86)10-6586-6006, Fax: (86)10-6586-2866 E-mail: hpc@hamamatsu.com.cn

Taiwan: Hamamatsu Photonics Taiwan Co., Ltd.: 8F-3, No.158, Section2, Gongdao 5th Road, East District, Hsinchu, 300, Taiwan R.O.C. Telephone: (886)3-659-0080, Fax: (886)3-659-0081 E-mail: info@hamamatsu.com.tw

TPMH1354E02
JAN. 2019 IP