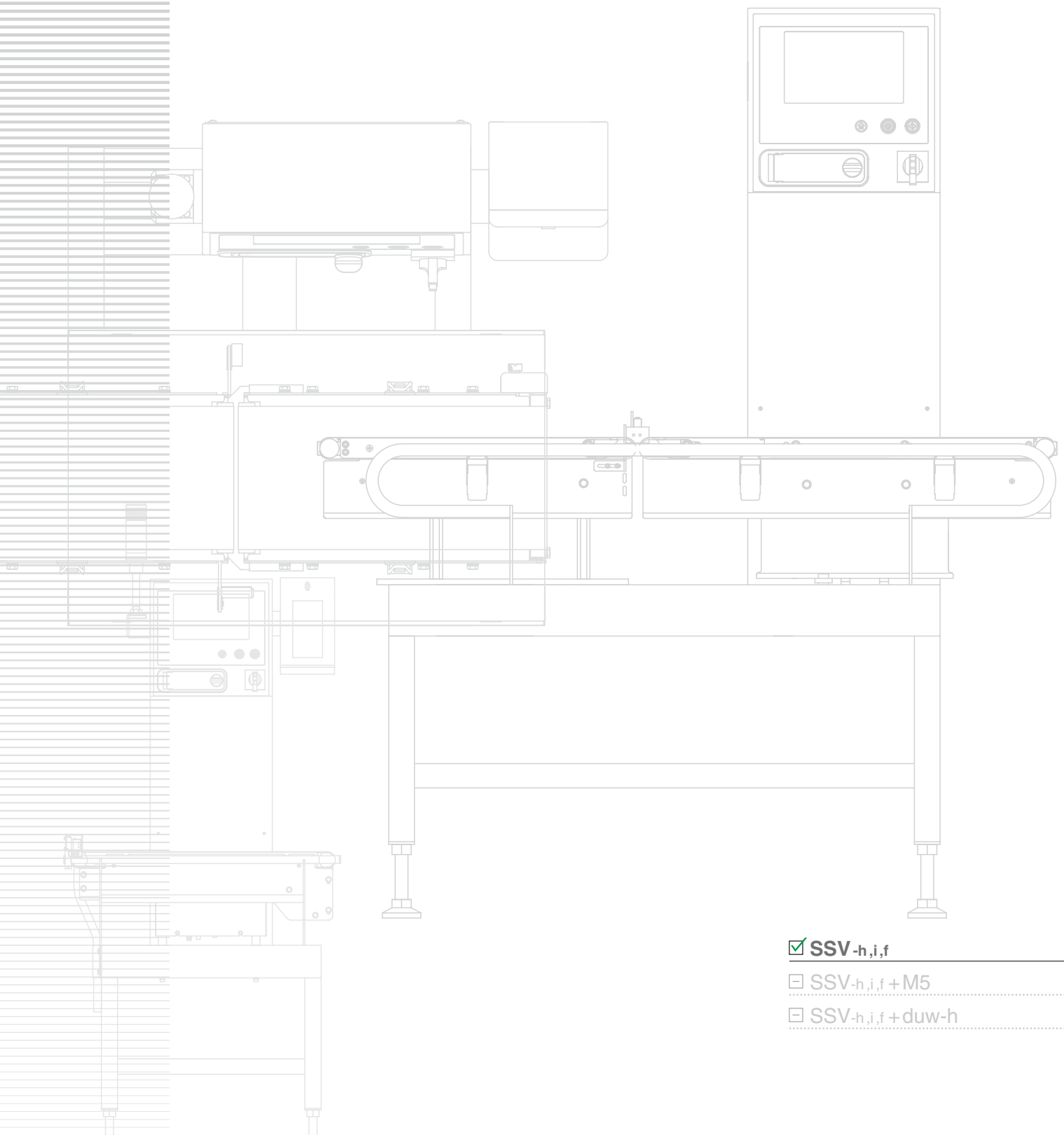


SSV series

# Checkweigher



SSV-h,i,f

SSV-h,i,f+M5

SSV-h,i,f+duw-h

# SSV series Checkweigher

## Line up



High Accuracy  
Stainless steel frame

### High Accuracy SSV-h Series

Equipped with a high speed/high accuracy force balance load cell. Meets stringent accuracy and reliability standards in industrial and pharmaceutical products.

Control panel exterior	<input checked="" type="checkbox"/> Stainless steel	<input checked="" type="checkbox"/> Painted
Conveyor	<input type="checkbox"/> Waterproof	<input checked="" type="checkbox"/> Non waterproof
Balance	<input checked="" type="checkbox"/> Force balance	<input type="checkbox"/> Strain gauge
Frame	<input checked="" type="checkbox"/> Stainless steel	<input checked="" type="checkbox"/> Painted



Waterproof  
Stainless steel frame

### Waterproof SSV-i Series

Features waterproof and dustproof cabinet and components. Its hygienic design is perfect for unpackaged and fresh foods which require stringent sanitary control.

Control panel exterior	<input checked="" type="checkbox"/> Stainless steel	<input type="checkbox"/> Painted
Conveyor	<input checked="" type="checkbox"/> Waterproof	<input type="checkbox"/> Non waterproof
Balance	<input checked="" type="checkbox"/> Force balance	<input checked="" type="checkbox"/> Strain gauge
Frame	<input checked="" type="checkbox"/> Stainless steel	<input type="checkbox"/> Painted



Versatile  
Painted frame

### Versatile SSV-f Series

Equipped with a highly versatile strain gauge load cell. Well suited for a variety of applications including heavy products.

Control panel exterior	<input checked="" type="checkbox"/> Stainless steel	<input checked="" type="checkbox"/> Painted
Conveyor	<input type="checkbox"/> Waterproof	<input checked="" type="checkbox"/> Non waterproof
Balance	<input type="checkbox"/> Force balance	<input checked="" type="checkbox"/> Strain gauge
Frame	<input checked="" type="checkbox"/> Stainless steel	<input checked="" type="checkbox"/> Painted

# Model Selection List

\* [ ] are optional.

\* The accuracy and speed vary according to the products to be weighed and the rejector.

△: A letter indicating the exterior type.

Page	Series	Item Model	Weighing range (g)	Maximum accuracy (3σ) (g)	Maximum speed (products/min)	Belt speed (m/min)	Product size			
							Width (mm)	Length (mm)	Height (mm)	
4	High Accuracy SSV-h series	KWS6001B△04	0.4 to 100	±0.01	600	15 to 99	20 to 100	46 to 120	5 to 120	
		KWS6003B△03	0.4 to 100	±0.01	310	15 to 92	20 to 100	46 to 230	5 to 230	
5		KWS6005B△05	0.4 to 100	±0.01	310	15 to 92	20 to 160	46 to 230	5 to 230	
		KWS6006B△06	0.4 to 100	±0.01	320	15 to 120	20 to 160	46 to 320	5 to 320	
6		KWS6201B△04	1.2 to 600	±0.015	600	15 to 99	20 to 100	46 to 120	5 to 120	
		KWS6203B△03	1.2 to 600	±0.015	400	15 to 120	20 to 100	46 to 230	5 to 230	
7		KWS6205B△05	1.2 to 600	±0.015	400	15 to 120	20 to 160	46 to 230	5 to 230	
		KWS6206B△06	1.2 to 600	±0.015	320	15 to 120	20 to 160	46 to 320	5 to 320	
8		KWS6411B△11	6 to 3000	±0.1	400	15 to 120	20 to 250	60 to 230	5 to 230	
		KWS6412B△12	6 to 3000	±0.1	320	15 to 120	20 to 250	60 to 320	5 to 320	
		KWS6414B△12	6 to 3000	±0.1	220	15 to 120	20 to 250	60 to 450	5 to 450	
9		KWS6416B△16	6 to 3000	±0.1	270	15 to 120	20 to 350	60 to 350	5 to 350	
		KWS6417B△17	6 to 3000	±0.1	220	15 to 120	20 to 350	60 to 450	5 to 450	
10		Waterproof SSV-i series	KWS6265BW65	6 to 600	±0.1	330	9 to 97	20 to 160	60 to 200	5 to 200
			KWS6366BW66	12 to 1200 [12 to 600]	±0.1	220 [270]	9 to 82 [9 to 97]	20 to 230	60 to 320	5 to 320
			KWS6472BW72	30 to 3000 [30 to 1200]	±0.1	160 [220]	7 to 60 [9 to 82]	20 to 230	76 to 320	5 to 320
11			KWS5265BW65	6 to 600	±0.2	330	9 to 97	20 to 160	60 to 200	5 to 200
			KWS5366BW66	12 to 1200 [12 to 600]	±0.2	220 [270]	9 to 82 [9 to 97]	20 to 230	60 to 320	5 to 320
			KWS5472BW72	30 to 3000 [30 to 1200]	±0.5	160 [220]	7 to 60 [9 to 82]	20 to 230	76 to 320	5 to 320
12	KWS5476BW76		30 to 3000 [30 to 1200]	±0.5	120 [155]	7 to 65 [9 to 83]	20 to 350	76 to 450	5 to 450	
	KWS5677BW77		60 to 15000	±2	70	5 to 38	20 to 350	76 to 450	5 to 450	
	KWS5678BW77		60 to 15000 [60 to 3000]	±2	50 [90]	5 to 36 [7 to 64]	20 to 350	76 to 600	5 to 600	
13	Versatile SSV-f series		KWS5201B△04	6 to 600	±0.2	400	15 to 65	20 to 100	46 to 120	5 to 120
			KWS5203B△03	6 to 600	±0.2	350	15 to 103	20 to 100	46 to 230	5 to 230
14			KWS5205B△05	6 to 600	±0.2	350	15 to 103	20 to 160	46 to 230	5 to 230
		KWS5206B△06	6 to 600	±0.2	320	15 to 120	20 to 160	46 to 310	5 to 310	
15		KWS5411B△11	12 to 3000	±0.2	320	15 to 94	20 to 250	60 to 230	5 to 230	
		KWS5412B△12	12 to 3000	±0.2	320	15 to 120	20 to 250	60 to 310	5 to 310	
		KWS5414B△12	12 to 3000	±0.2	220	15 to 120	20 to 250	60 to 450	5 to 450	
16		KWS5416B△16	12 to 3000	±0.5	270	15 to 120	20 to 350	60 to 350	5 to 350	
		KWS5417B△17	12 to 3000	±0.5	220	15 to 120	20 to 350	60 to 450	5 to 450	
17		KWS5522B△22	60 to 6000	±1.5	180	5 to 78	20 to 450	88 to 350	5 to 350	
		KWS5524B△24	60 to 6000	±1.5	145	5 to 78	20 to 450	88 to 450	5 to 450	
		KWS5526B△24	60 to 6000	±1.5	110	5 to 78	20 to 450	88 to 600	5 to 600	
18		KWS5623B△23	60 to 15000	±2	100	5 to 46	20 to 450	88 to 350	5 to 350	
		KWS5625B△25	60 to 15000	±2	85	5 to 46	20 to 450	88 to 450	5 to 450	
		KWS5627B△25	60 to 15000	±2	65	5 to 46	20 to 450	88 to 600	5 to 600	
19		KWS5728B△NN	60 to 25000	±2	40	5 to 29	20 to 450	88 to 600	5 to 600	

# High Accuracy

SSV-h series **SSV-h**

## KWS6001 type

Weighing range : **0.4 to 100 g**

Maximum accuracy (3 $\sigma$ ) : **± 0.01 g**

Maximum speed : **600** products/min

## KWS6003 type

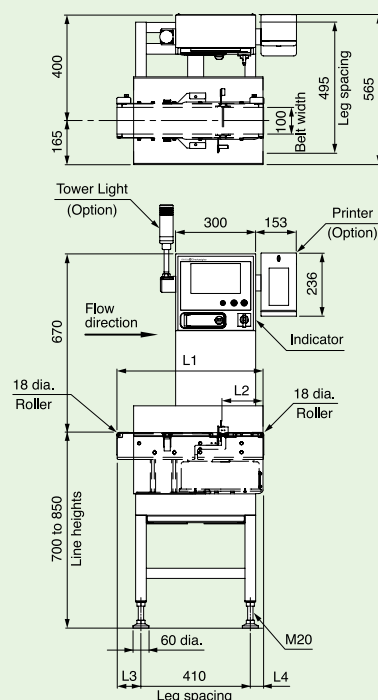
Weighing range : **0.4 to 100 g**

Maximum accuracy (3 $\sigma$ ) : **± 0.01 g**

Maximum speed : **310** products/min

## External Dimensions

KWS6001BF04  
KWS6001BP04  
KWS6003BF03  
KWS6003BP03



Model	L1	L2	L3	L4
KWS6001	550	150	90	50
KWS6003	545	270	30	105

Units: mm

## Specifications



Model	KWS6001BF04 KWS6001BP04	KWS6003BF03 KWS6003BP03
Weighing range	0.4 to 100 g	0.4 to 100 g
Scale interval	0.001 g	0.001 g
Maximum speed <sup>1</sup>	600 products/min	310 products/min
Maximum accuracy (3 $\sigma$ ) <sup>1</sup>	±0.01 g	±0.01 g
Display	8.5-inch color TFT LCD	
Operation method	Touch panel (Start, Stop, and Home are direct push buttons)	
Indication range	100.45 g	
Preset memory	Maximum 200	
Classification	2 or 3	
Product size <sup>2</sup>	Width	20 to 100 mm
	Length	46 to 120 mm
	Height	5 to 120 mm
Belt speed	15 to 99 m/min	15 to 92 m/min
Power requirements	100 to 120 Vac +10% -15% or 200 to 240 Vac +10% -15%, single phase, 50/60 Hz, 130 VA, rush current 20 A (typ.) (20 ms or less)	
Mass	60 kg	
Environmental conditions	0 to 40°C (variation not to exceed 5°C/h to maintain accuracy), relative humidity 30 to 85%, non-condensing	
Protection class	IP30 compliance	
Exterior	F type: painted, P type: stainless steel (SUS304) (excluding some parts)	
Data output	USB port (USB2.0), Ethernet interface (10BASE-T, 100BASE-TX)	

<sup>1</sup> : The speed and accuracy vary according to the products to be weighed and the rejector.

<sup>2</sup> : The size of products to be weighed depends on the rejector; select a checkweigher together with a rejector. Consult us about semi-transparent and transparent products.

Note : The noise level of the checkweighers does not exceed 70 dB (A).

# High Accuracy

SSV-h series **SSV-h**

## KWS6005 type

Weighing range : **0.4 to 100 g**

Maximum accuracy (3 $\sigma$ ) : **± 0.01 g**

Maximum speed : **310** products/min

## KWS6006 type

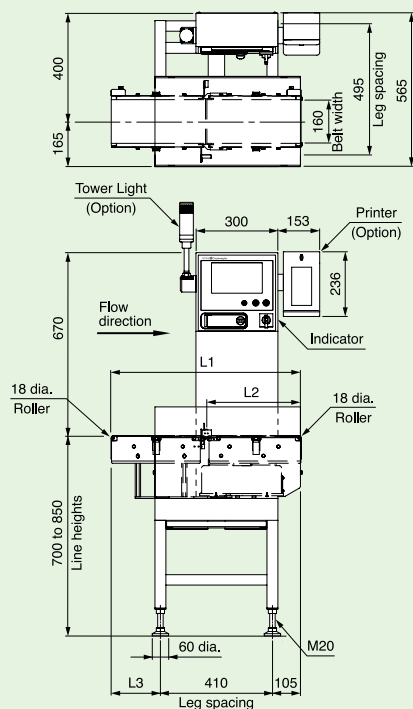
Weighing range : **0.4 to 100 g**

Maximum accuracy (3 $\sigma$ ) : **± 0.01 g**

Maximum speed : **320** products/min

### External Dimensions

KWS6005BF05  
KWS6005BP05  
KWS6006BF06  
KWS6006BP06



Model	L1	L2	L3
KWS6005	545	270	30
KWS6006	695	345	180

Units: mm

### Specifications



Model	KWS6005BF05 KWS6005BP05	KWS6006BF06 KWS6006BP06
Weighing range	0.4 to 100 g	0.4 to 100 g
Scale interval	0.001 g	0.001 g
Maximum speed <sup>1</sup>	310 products/min	320 products/min
Maximum accuracy (3 $\sigma$ ) <sup>1</sup>	±0.01 g	±0.01 g
Display	8.5-inch color TFT LCD	
Operation method	Touch panel (Start, Stop, and Home are direct push buttons)	
Indication range	100.45 g	
Preset memory	Maximum 200	
Classification	2 or 3	
Product size <sup>2</sup>	Width	20 to 160 mm
	Length	46 to 320 mm
	Height	5 to 230 mm
Belt speed	15 to 92 m/min	15 to 120 m/min
Power requirements	100 to 120 Vac +10% -15% or 200 to 240 Vac +10% -15%, single phase, 50/60 Hz, 130 VA, rush current 20 A (typ.) (20 ms or less)	
Mass	60 kg	
Environmental conditions	0 to 40°C (variation not to exceed 5°C/h to maintain accuracy), relative humidity 30 to 85%, non-condensing	
Protection class	IP30 compliance	
Exterior	F type: painted, P type: stainless steel (SUS304) (excluding some parts)	
Data output	USB port (USB2.0), Ethernet interface (10BASE-T, 100BASE-TX)	

<sup>1</sup> : The speed and accuracy vary according to the products to be weighed and the rejector.

<sup>2</sup> : The size of products to be weighed depends on the rejector; select a checkweigher together with a rejector. Consult us about semi-transparent and transparent products.

Note : The noise level of the checkweighers does not exceed 70 dB (A).

# High Accuracy

SSV-h series **SSV-h**

## KWS6201 type

Weighing range : **1.2 to 600 g**

Maximum accuracy (3 $\sigma$ ) : **± 0.015 g**

Maximum speed : **600** products/min

## KWS6203 type

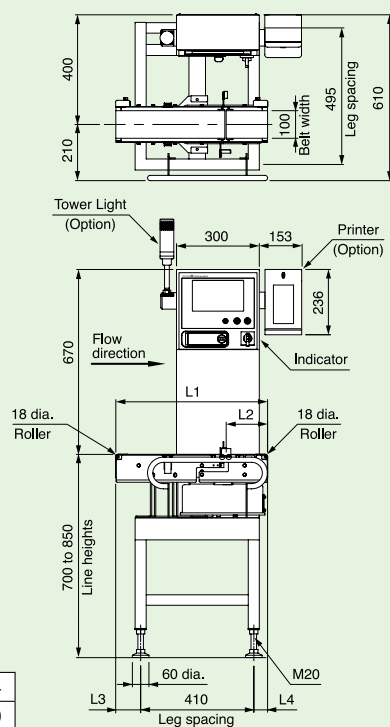
Weighing range : **1.2 to 600 g**

Maximum accuracy (3 $\sigma$ ) : **± 0.015 g**

Maximum speed : **400** products/min

## External Dimensions

KWS6201BF04  
KWS6201BP04  
KWS6203BF03  
KWS6203BP03



Model	L1	L2	L3	L4
KWS6201	550	150	90	50
KWS6203	545	270	30	105

Units: mm



## Specifications

Model	KWS6201BF04 KWS6201BP04	KWS6203BF03 KWS6203BP03
Weighing range	1.2 to 600 g	1.2 to 600 g
Scale interval	0.01 g	0.01 g
Maximum speed <sup>1</sup>	600 products/min	400 products/min
Maximum accuracy (3 $\sigma$ ) <sup>1</sup>	±0.015 g	±0.015 g
Display	8.5-inch color TFT LCD	
Operation method	Touch panel (Start, Stop, and Home are direct push buttons)	
Indication range	600.9 g	
Preset memory	Maximum 200	
Classification	2 or 3	
Product size <sup>2</sup>	Width	20 to 100 mm
	Length	46 to 120 mm
	Height	5 to 120 mm
Belt speed	15 to 99 m/min	15 to 120 m/min
Power requirements	100 to 120 Vac +10% -15% or 200 to 240 Vac +10% -15%, single phase, 50/60 Hz, 130 VA, rush current 20 A (typ.) (20 ms or less)	
Mass	60 kg	
Environmental conditions	0 to 40°C (variation not to exceed 5°C/h to maintain accuracy), relative humidity 30 to 85%, non-condensing	
Protection class	IP30 compliance	
Exterior	F type: painted, P type: stainless steel (SUS304) (excluding some parts)	
Data output	USB port (USB2.0), Ethernet interface (10BASE-T, 100BASE-TX)	

<sup>1</sup> : The speed and accuracy vary according to the products to be weighed and the rejector.

<sup>2</sup> : The size of products to be weighed depends on the rejector; select a checkweigher together with a rejector. Consult us about semi-transparent and transparent products.

Note : The noise level of the checkweighers does not exceed 70 dB (A).

# High Accuracy

SSV-h series **SSV-h**

## KWS6205 type

Weighing range : **1.2 to 600 g**

Maximum accuracy (3 $\sigma$ ) : **± 0.015 g**

Maximum speed : **400** products/min

## KWS6206 type

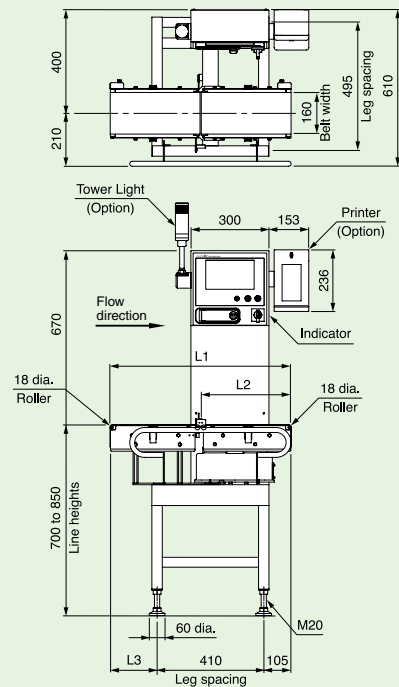
Weighing range : **1.2 to 600 g**

Maximum accuracy (3 $\sigma$ ) : **± 0.015 g**

Maximum speed : **320** products/min

## External Dimensions

KWS6205BF05  
KWS6205BP05  
KWS6206BF06  
KWS6206BP06



Model	L1	L2	L3
KWS6205	545	270	30
KWS6206	695	345	180

Units: mm

## Specifications



Model	KWS6205BF05 KWS6205BP05	KWS6206BF06 KWS6206BP06
Weighing range	1.2 to 600 g	1.2 to 600 g
Scale interval	0.01 g	0.01 g
Maximum speed <sup>1</sup>	400 products/min	320 products/min
Maximum accuracy (3 $\sigma$ ) <sup>1</sup>	±0.015 g	±0.015 g
Display	8.5-inch color TFT LCD	
Operation method	Touch panel (Start, Stop, and Home are direct push buttons)	
Indication range	600.9 g	
Preset memory	Maximum 200	
Classification	2 or 3	
Product size <sup>2</sup>	Width	20 to 160 mm
	Length	46 to 320 mm
	Height	5 to 320 mm
Belt speed	15 to 120 m/min	15 to 120 m/min
Power requirements	100 to 120 Vac +10% -15% or 200 to 240 Vac +10% -15%, single phase, 50/60 Hz, 130 VA, rush current 20 A (typ.) (20 ms or less)	
Mass	60 kg	
Environmental conditions	0 to 40°C (variation not to exceed 5°C/h to maintain accuracy), relative humidity 30 to 85%, non-condensing	
Protection class	IP30 compliance	
Exterior	F type: painted, P type: stainless steel (SUS304) (excluding some parts)	
Data output	USB port (USB2.0), Ethernet interface (10BASE-T, 100BASE-TX)	

<sup>1</sup> : The speed and accuracy vary according to the products to be weighed and the rejector.

<sup>2</sup> : The size of products to be weighed depends on the rejector; select a checkweigher together with a rejector. Consult us about semi-transparent and transparent products.

Note : The noise level of the checkweighers does not exceed 70 dB (A).



# High Accuracy

SSV-h series **SSV-h**

## KWS6411 type

Weighing range : **6 to 3000 g**Maximum accuracy (3 $\sigma$ ) : **± 0.1 g**Maximum speed : **400** products/min

## KWS6412 type

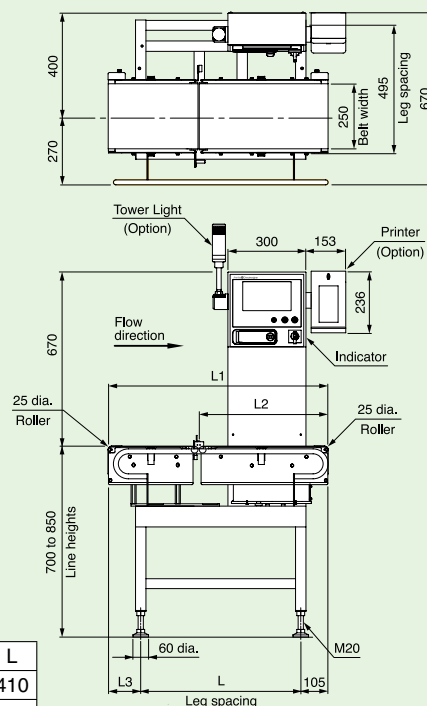
Weighing range : **6 to 3000 g**Maximum accuracy (3 $\sigma$ ) : **± 0.1 g**Maximum speed : **320** products/min

## KWS6414 type

Weighing range : **6 to 3000 g**Maximum accuracy (3 $\sigma$ ) : **± 0.1 g**Maximum speed : **220** products/min

## External Dimensions

KWS6411BF11  
KWS6411BP11  
KWS6412BF12  
KWS6412BP12  
KWS6414BF12  
KWS6414BP12



Model	L1	L2	L3	L
KWS6411	545	270	30	410
KWS6412	695	345	180	410
KWS6414	845	495	125	615

Units: mm



## Specifications

Model	KWS6411BF11 KWS6411BP11	KWS6412BF12 KWS6412BP12	KWS6414BF12 KWS6414BP12
Weighing range	6 to 3000 g	6 to 3000 g	6 to 3000 g
Scale interval	0.05 g	0.05 g	0.05 g
Maximum speed <sup>1</sup>	400 products/min	320 products/min	220 products/min
Maximum accuracy (3 $\sigma$ ) <sup>1</sup>	±0.1 g	±0.1 g	±0.1 g
Display	8.5-inch color TFT LCD		
Operation method	Touch panel (Start, Stop, and Home are direct push buttons)		
Indication range	3004.5 g		
Preset memory	Maximum 200		
Classification	2 or 3		
Product size <sup>2</sup>	Width	20 to 250 mm	20 to 250 mm
	Length	60 to 230 mm	60 to 320 mm
	Height	5 to 230 mm	5 to 320 mm
Belt speed	15 to 120 m/min	15 to 120 m/min	15 to 120 m/min
Power requirements	100 to 120 Vac +10% -15% or 200 to 240 Vac +10% -15%, single phase, 50/60 Hz, 250 VA, rush current 20 A (typ.) (20 ms or less)		
Mass	64 kg	65 kg	65 kg
Environmental conditions	0 to 40°C (variation not to exceed 5°C/h to maintain accuracy), relative humidity 30 to 85%, non-condensing		
Protection class	IP30 compliance		
Exterior	F type: painted, P type: stainless steel (SUS304) (excluding some parts)		
Data output	USB port (USB2.0), Ethernet interface (10BASE-T, 100BASE-TX)		

<sup>1</sup> : The speed and accuracy vary according to the products to be weighed and the rejector.

<sup>2</sup> : The size of products to be weighed depends on the rejector; select a checkweigher together with a rejector. Consult us about semi-transparent and transparent products.

Note : The noise level of the checkweighers does not exceed 70 dB (A).



# High Accuracy

SSV-h series **SSV-h**

## KWS6416 type

Weighing range : **6 to 3000 g**

Maximum accuracy (3 $\sigma$ ) : **± 0.1 g**

Maximum speed : **270** products/min

## KWS6417 type

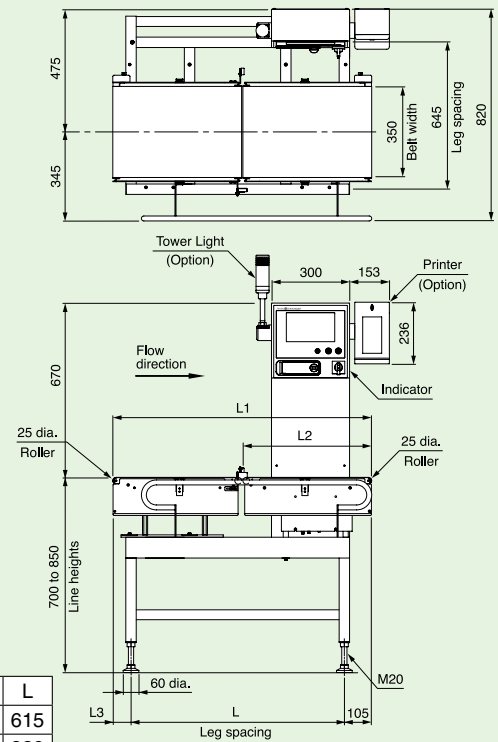
Weighing range : **6 to 3000 g**

Maximum accuracy (3 $\sigma$ ) : **± 0.1 g**

Maximum speed : **220** products/min

### External Dimensions

KWS6416BF16  
KWS6416BP16  
KWS6417BF17  
KWS6417BP17



Model	L1	L2	L3	L
KWS6416	805	400	85	615
KWS6417	995	495	70	820

Units: mm

### Specifications



Model	KWS6416BF16 KWS6416BP16	KWS6417BF17 KWS6417BP17
Weighing range	6 to 3000 g	6 to 3000 g
Scale interval	0.05 g	0.05 g
Maximum speed <sup>1</sup>	270 products/min	220 products/min
Maximum accuracy (3 $\sigma$ ) <sup>1</sup>	±0.1 g	±0.1 g
Display	8.5-inch color TFT LCD	
Operation method	Touch panel (Start, Stop, and Home are direct push buttons)	
Indication range	3004.5 g	
Preset memory	Maximum 200	
Classification	2 or 3	
Product size <sup>2</sup>	Width	20 to 350 mm
	Length	60 to 450 mm
	Height	5 to 450 mm
Belt speed	15 to 120 m/min	15 to 120 m/min
Power requirements	100 to 120 Vac +10% -15% or 200 to 240 Vac +10% -15%, single phase, 50/60 Hz, 250 VA, rush current 20 A (typ.) (20 ms or less)	
Mass	74 kg	77 kg
Environmental conditions	0 to 40°C (variation not to exceed 5°C/h to maintain accuracy), relative humidity 30 to 85%, non-condensing	
Protection class	IP30 compliance	
Exterior	F type: painted, P type: stainless steel (SUS304) (excluding some parts)	
Data output	USB port (USB2.0), Ethernet interface (10BASE-T, 100BASE-TX)	

<sup>1</sup> : The speed and accuracy vary according to the products to be weighed and the rejector.

<sup>2</sup> : The size of products to be weighed depends on the rejector; select a checkweigher together with a rejector. Consult us about semi-transparent and transparent products.

Note : The noise level of the checkweighers does not exceed 70 dB (A).

# Waterproof

SSV-i series **SSV-i**

## KWS6265 type

Weighing range : **6 to 600 g**Maximum accuracy (3 $\sigma$ ) : **± 0.1 g**Maximum speed : **330** products/min

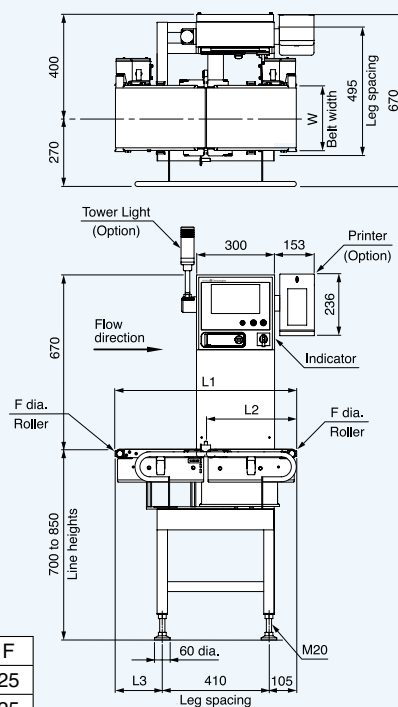
## KWS6366 type

Weighing range : **12 to 1200 g**  
**[12 to 600 g]**Maximum accuracy (3 $\sigma$ ) : **± 0.1 g**Maximum speed : **220 [270]** products/min

## KWS6472 type

Weighing range : **30 to 3000 g**  
**[30 to 1200 g]**Maximum accuracy (3 $\sigma$ ) : **± 0.1 g**Maximum speed : **160 [220]** products/min

### External Dimensions

KWS6265BW65  
KWS6366BW66  
KWS6472BW72

Model	W	L1	L2	L3	F
KWS6265	160	545	270	30	25
KWS6366	230	695	345	180	25
KWS6472	230	695	345	180	33

Units: mm

### Specifications



Model	KWS6265BW65	KWS6366BW66	KWS6472BW72
Weighing range	6 to 600 g	12 to 1200 g [12 to 600 g] <sup>3</sup>	30 to 3000 g [30 to 1200 g] <sup>3</sup>
Scale interval	0.01 g	0.02 g [0.01 g] <sup>3</sup>	0.05 g [0.02 g] <sup>3</sup>
Maximum speed <sup>1</sup>	330 products/min	220 [270] products/min <sup>3</sup>	160 [220] products/min <sup>3</sup>
Maximum accuracy (3 $\sigma$ ) <sup>1</sup>	±0.1 g	±0.1 g	±0.1 g
Display	8.5-inch color TFT LCD		
Operation method	Touch panel (Start, Stop, and Home are direct push buttons)		
Indication range	601.8 g	1201.8 g [601.8 g] <sup>3</sup>	3004.5 g [1201.8 g] <sup>3</sup>
Preset memory	Maximum 200		
Classification	2 or 3		
Product size <sup>2</sup>	Width	20 to 160 mm	20 to 230 mm
	Length	60 to 200 mm	60 to 320 mm
	Height	5 to 200 mm	5 to 320 mm
Belt speed	9 to 97 m/min	9 to 82 [9 to 97] m/min <sup>3</sup>	7 to 60 [9 to 82] m/min <sup>3</sup>
Power requirements	100 to 120 Vac +10% -15% or 200 to 240 Vac +10% -15%, single phase, 50/60 Hz, 250 VA, rush current 20 A (typ.) (20 ms or less)		
Mass	65 kg	68 kg	69 kg
Environmental conditions	0 to 40°C (variation not to exceed 5°C/h to maintain accuracy), relative humidity 30 to 85%, non-condensing		
Protection class	IP66 compliance		
Exterior	Stainless steel (SUS304)		
Data output	USB port (USB2.0), Ethernet interface (10BASE-T, 100BASE-TX)		

1 : The speed and accuracy vary according to the products to be weighed and the rejector.

2 : The size of products to be weighed depends on the rejector; select a checkweigher together with a rejector. Consult us about semi-transparent and transparent products.

3 : [ ] are optional. The maximum weighing range varies according to the operating environment.

Note : The noise level of the checkweighers does not exceed 70 dB (A).

# Waterproof

SSV-i series **SSV-i**

## KWS5265 type

Weighing range : **6 to 600 g**Maximum accuracy (3 $\sigma$ ) : **± 0.2 g**Maximum speed : **330** products/min

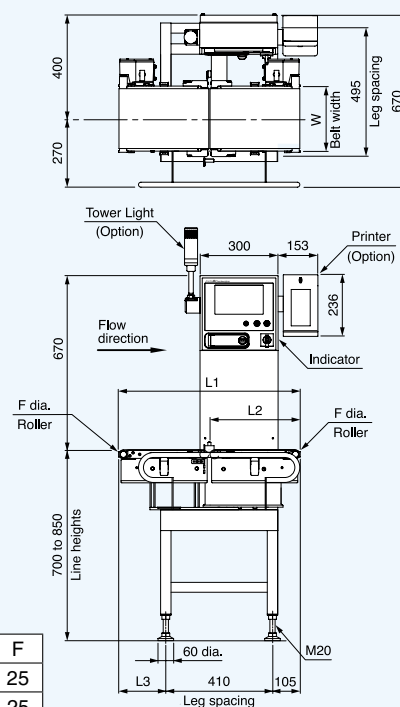
## KWS5366 type

Weighing range : **12 to 1200 g**  
**[12 to 600 g]**Maximum accuracy (3 $\sigma$ ) : **± 0.2 g**Maximum speed : **220 [270]** products/min

## KWS5472 type

Weighing range : **30 to 3000 g**  
**[30 to 1200 g]**Maximum accuracy (3 $\sigma$ ) : **± 0.5 g**Maximum speed : **160 [220]** products/min

### External Dimensions

KWS5265BW65  
KWS5366BW66  
KWS5472BW72

Model	W	L1	L2	L3	F
KWS5265	160	545	270	30	25
KWS5366	230	695	345	180	25
KWS5472	230	695	345	180	33

Units: mm

### Specifications



Model	KWS5265BW65	KWS5366BW66	KWS5472BW72
Weighing range	6 to 600 g	12 to 1200 g [12 to 600 g] <sup>3</sup>	30 to 3000 g [30 to 1200 g] <sup>3</sup>
Scale interval	0.05 g	0.05 g [0.05 g] <sup>3</sup>	0.1 g [0.05 g] <sup>3</sup>
Maximum speed <sup>1</sup>	330 products/min	220 [270] products/min <sup>3</sup>	160 [220] products/min <sup>3</sup>
Maximum accuracy (3 $\sigma$ ) <sup>1</sup>	±0.2 g	±0.2 g	±0.5 g
Display	8.5-inch color TFT LCD		
Operation method	Touch panel (Start, Stop, and Home are direct push buttons)		
Indication range	604.5 g	1204.5 g [604.5 g] <sup>3</sup>	3009 g [1204.5 g] <sup>3</sup>
Preset memory	Maximum 200		
Classification	2 or 3		
Product size <sup>2</sup>	Width	20 to 160 mm	20 to 230 mm
	Length	60 to 200 mm	60 to 320 mm
	Height	5 to 200 mm	5 to 320 mm
Belt speed	9 to 97 m/min	9 to 82 [9 to 97] m/min <sup>3</sup>	7 to 60 [9 to 82] m/min <sup>3</sup>
Power requirements	100 to 120 Vac +10% -15% or 200 to 240 Vac +10% -15%, single phase, 50/60 Hz, 250 VA, rush current 20 A (typ.) (20 ms or less)		
Mass	64 kg	67 kg	68 kg
Environmental conditions	0 to 40°C (variation not to exceed 5°C/h to maintain accuracy), relative humidity 30 to 85%, non-condensing		
Protection class	IP66 compliance		
Exterior	Stainless steel (SUS304)		
Data output	USB port (USB2.0), Ethernet interface (10BASE-T, 100BASE-TX)		

1 : The speed and accuracy vary according to the products to be weighed and the rejector.

2 : The size of products to be weighed depends on the rejector; select a checkweigher together with a rejector. Consult us about semi-transparent and transparent products.

3 : [ ] are optional. The maximum weighing range varies according to the operating environment.

Note : The noise level of the checkweighers does not exceed 70 dB (A).

# Waterproof

SSV-i series **SSV-i**

## KWS5476 type

Weighing range : 30 to 3000 g  
[30 to 1200 g]

Maximum accuracy (3 $\sigma$ ) :  $\pm 0.5$  g

Maximum speed : 120 [155] products/min

## KWS5677 type

Weighing range : 60 to 15000 g

Maximum accuracy (3 $\sigma$ ) :  $\pm 2$  g

Maximum speed : 70 products/min

## KWS5678 type

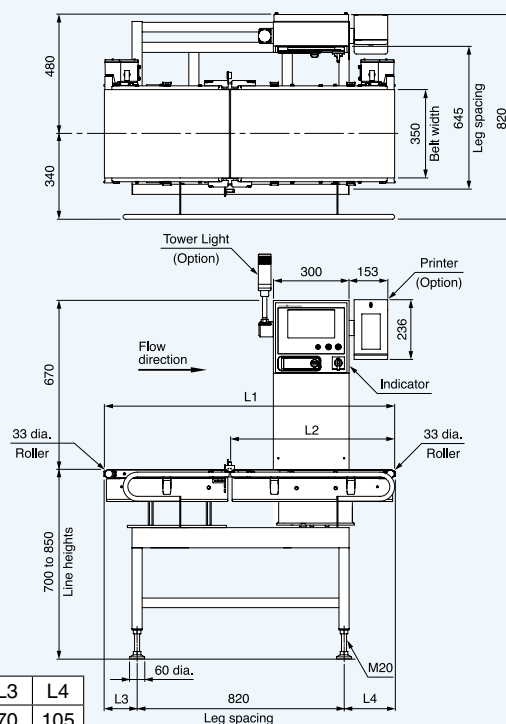
Weighing range : 60 to 15000 g  
[60 to 3000 g]

Maximum accuracy (3 $\sigma$ ) :  $\pm 2$  g

Maximum speed : 50 [90] products/min

### External Dimensions

KWS5476BW76  
KWS5677BW77  
KWS5678BW77



Model	L1	L2	L3	L4
KWS5476	995	495	70	105
KWS5677	995	495	70	105
KWS5678	1150	650	130	200

Units: mm

### Specifications



Model	KWS5476BW76	KWS5677BW77	KWS5678BW77
Weighing range	30 to 3000 g [30 to 1200 g] <sup>3</sup>	60 to 15000 g	60 to 15000 g [60 to 3000 g] <sup>3</sup>
Scale interval	0.1 g [0.05 g] <sup>3</sup>	1 g	1 g [0.2 g] <sup>3</sup>
Maximum speed <sup>1</sup>	120 [155] products/min <sup>3</sup>	70 products/min	50 [90] products/min <sup>3</sup>
Maximum accuracy (3 $\sigma$ ) <sup>1</sup>	$\pm 0.5$ g	$\pm 2$ g	$\pm 2$ g
Display	8.5-inch color TFT LCD		
Operation method	Touch panel (Start, Stop, and Home are direct push buttons)		
Indication range	3009 g [1204.5 g] <sup>3</sup>	15045 g	15045 g [3009 g] <sup>3</sup>
Preset memory	Maximum 200		
Classification	2 or 3		
Product size <sup>2</sup>	Width	20 to 350 mm	20 to 350 mm
	Length	76 to 450 mm	76 to 450 mm
	Height	5 to 450 mm	5 to 450 mm
Belt speed	7 to 65 [9 to 83] m/min <sup>3</sup>	5 to 38 m/min	5 to 36 [7 to 64] m/min <sup>3</sup>
Power requirements	100 to 120 Vac +10% -15% or 200 to 240 Vac +10% -15%, single phase, 50/60 Hz, 250 VA, rush current 20 A (typ.) (20 ms or less)		
Mass	84 kg	84 kg	87 kg
Environmental conditions	0 to 40°C (variation not to exceed 5°C/h to maintain accuracy), relative humidity 30 to 85%, non-condensing		
Protection class	IP66 compliance		
Exterior	Stainless steel (SUS304)		
Data output	USB port (USB2.0), Ethernet interface (10BASE-T, 100BASE-TX)		

1 : The speed and accuracy vary according to the products to be weighed and the rejector.

2 : The size of products to be weighed depends on the rejector; select a checkweigher together with a rejector. Consult us about semi-transparent and transparent products.

3 : [ ] are optional. The maximum weighing range varies according to the operating environment.

Note : The noise level of the checkweighers does not exceed 70 dB (A).

# Versatile

SSV-f series **SSV-f**

## KWS5201 type

Weighing range : **6 to 600 g**

Maximum accuracy (3 $\sigma$ ) : **± 0.2 g**

Maximum speed : **400** products/min

## KWS5203 type

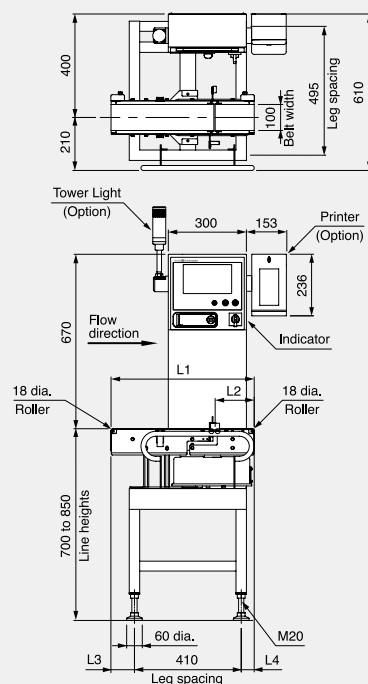
Weighing range : **6 to 600 g**

Maximum accuracy (3 $\sigma$ ) : **± 0.2 g**

Maximum speed : **350** products/min

### External Dimensions

KWS5201BF04  
KWS5201BP04  
KWS5203BF03  
KWS5203BP03



Units: mm

### Specifications



Model	KWS5201BF04 KWS5201BP04	KWS5203BF03 KWS5203BP03
Weighing range	6 to 600 g	6 to 600 g
Scale interval	0.05 g	0.05 g
Maximum speed <sup>1</sup>	400 products/min	350 products/min
Maximum accuracy (3 $\sigma$ ) <sup>1</sup>	±0.2 g	±0.2 g
Display	8.5-inch color TFT LCD	
Operation method	Touch panel (Start, Stop, and Home are direct push buttons)	
Indication range	604.5 g	
Preset memory	Maximum 200	
Classification	2 or 3	
Product size <sup>2</sup>	Width	20 to 100 mm
	Length	46 to 120 mm
	Height	5 to 120 mm
Belt speed	15 to 65 m/min	15 to 103 m/min
Power requirements	100 to 120 Vac +10% -15% or 200 to 240 Vac +10% -15%, single phase, 50/60 Hz, 130 VA, rush current 20 A (typ.) (20 ms or less)	
Mass	60 kg	
Environmental conditions	0 to 40°C (variation not to exceed 5°C/h to maintain accuracy), relative humidity 30 to 85%, non-condensing	
Protection class	IP30 compliance	
Exterior	F type: painted, P type: stainless steel (SUS304) (excluding some parts)	
Data output	USB port (USB2.0), Ethernet interface (10BASE-T, 100BASE-TX)	

<sup>1</sup> : The speed and accuracy vary according to the products to be weighed and the rejector.

<sup>2</sup> : The size of products to be weighed depends on the rejector; select a checkweigher together with a rejector. Consult us about semi-transparent and transparent products.

Note : The noise level of the checkweighers does not exceed 70 dB (A).

# Versatile

## SSV-f series SSV-f

### KWS5205 type

**Weighing range : 6 to 600 g**

**Maximum accuracy (3 $\sigma$ ) :  $\pm$  0.2 g**

**Maximum speed : 350 products/min**

### KWS5206 type

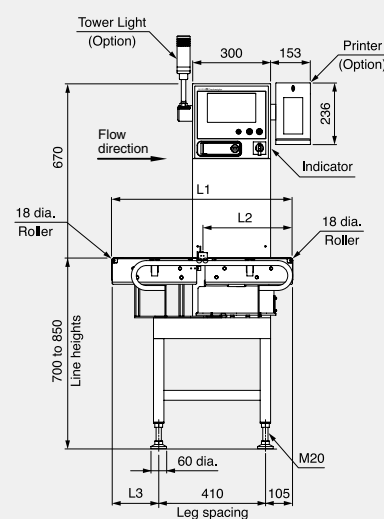
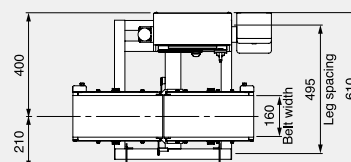
**Weighing range : 6 to 600 g**

**Maximum accuracy (3 $\sigma$ ) :  $\pm$  0.2 g**

**Maximum speed : 320 products/min**

### External Dimensions

KWS5205BF05  
KWS5205BP05  
KWS5206BF06  
KWS5206BP06



Model	L1	L2	L3
KWS5205	545	270	30
KWS5206	695	345	180

Units: mm

### Specifications



Model	KWS5205BF05 KWS5205BP05	KWS5206BF06 KWS5206BP06
Weighing range	6 to 600 g	6 to 600 g
Scale interval	0.05 g	0.05 g
Maximum speed <sup>1</sup>	350 products/min	320 products/min
Maximum accuracy (3 $\sigma$ ) <sup>1</sup>	$\pm$ 0.2 g	$\pm$ 0.2 g
Display	8.5-inch color TFT LCD	
Operation method	Touch panel (Start, Stop, and Home are direct push buttons)	
Indication range	604.5 g	
Preset memory	Maximum 200	
Classification	2 or 3	
Product size <sup>2</sup>	Width	20 to 160 mm
	Length	46 to 230 mm
	Height	5 to 230 mm
Belt speed	15 to 103 m/min	15 to 120 m/min
Power requirements	100 to 120 Vac +10% -15% or 200 to 240 Vac +10% -15%, single phase, 50/60 Hz, 130 VA, rush current 20 A (typ.) (20 ms or less)	
Mass	60 kg	
Environmental conditions	0 to 40°C (variation not to exceed 5°C/h to maintain accuracy), relative humidity 30 to 85%, non-condensing	
Protection class	IP30 compliance	
Exterior	F type: painted, P type: stainless steel (SUS304) (excluding some parts)	
Data output	USB port (USB2.0), Ethernet interface (10BASE-T, 100BASE-TX)	

<sup>1</sup> : The speed and accuracy vary according to the products to be weighed and the rejector.

<sup>2</sup> : The size of products to be weighed depends on the rejector; select a checkweigher together with a rejector. Consult us about semi-transparent and transparent products.

Note : The noise level of the checkweighers does not exceed 70 dB (A).



# Versatile

## SSV-f series **SSV-f**

### KWS5411 type

Weighing range : **12 to 3000 g**

Maximum accuracy (3 $\sigma$ ) : **± 0.2 g**

Maximum speed : **320** products/min

### KWS5412 type

Weighing range : **12 to 3000 g**

Maximum accuracy (3 $\sigma$ ) : **± 0.2 g**

Maximum speed : **320** products/min

### KWS5414 type

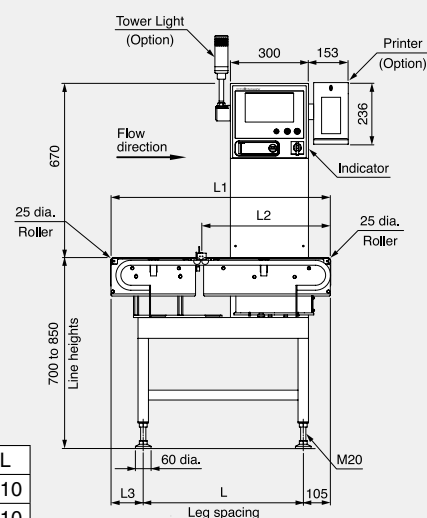
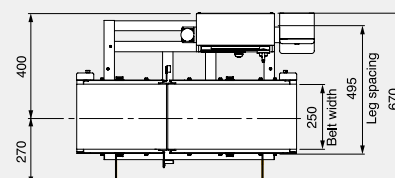
Weighing range : **12 to 3000 g**

Maximum accuracy (3 $\sigma$ ) : **± 0.2 g**

Maximum speed : **220** products/min

### External Dimensions

KWS5411BF11  
KWS5411BP11  
KWS5412BF12  
KWS5412BP12  
KWS5414BF12  
KWS5414BP12



Model	L1	L2	L3	L
KWS5411	545	270	30	410
KWS5412	695	345	180	410
KWS5414	845	495	125	615

Units: mm

### Specifications



Model	KWS5411BF11 KWS5411BP11	KWS5412BF12 KWS5412BP12	KWS5414BF12 KWS5414BP12
Weighing range	12 to 3000 g	12 to 3000 g	12 to 3000 g
Scale interval	0.1 g	0.1 g	0.1 g
Maximum speed <sup>1</sup>	320 products/min	320 products/min	220 products/min
Maximum accuracy (3 $\sigma$ ) <sup>1</sup>	±0.2 g	±0.2 g	±0.2 g
Display	8.5-inch color TFT LCD		
Operation method	Touch panel (Start, Stop, and Home are direct push buttons)		
Indication range	3009 g		
Preset memory	Maximum 200		
Classification	2 or 3		
Product size <sup>2</sup>	Width	20 to 250 mm	20 to 250 mm
	Length	60 to 230 mm	60 to 310 mm
	Height	5 to 230 mm	5 to 310 mm
Belt speed	15 to 94 m/min	15 to 120 m/min	15 to 120 m/min
Power requirements	100 to 120 Vac +10% -15% or 200 to 240 Vac +10% -15%, single phase, 50/60 Hz, 250 VA, rush current 20 A (typ.) (20 ms or less)		
Mass	63 kg	64 kg	67 kg
Environmental conditions	0 to 40°C (variation not to exceed 5°C/h to maintain accuracy), relative humidity 30 to 85%, non-condensing		
Protection class	IP30 compliance		
Exterior	F type: painted, P type: stainless steel (SUS304) (excluding some parts)		
Data output	USB port (USB2.0), Ethernet interface (10BASE-T, 100BASE-TX)		

<sup>1</sup> : The speed and accuracy vary according to the products to be weighed and the rejector.

<sup>2</sup> : The size of products to be weighed depends on the rejector; select a checkweigher together with a rejector. Consult us about semi-transparent and transparent products.

Note : The noise level of the checkweighers does not exceed 70 dB (A).



# Versatile

## SSV-f series SSV-f

### KWS5416 type

**Weighing range : 12 to 3000 g**

**Maximum accuracy (3 $\sigma$ ) :  $\pm 0.5$  g**

**Maximum speed : 270 products/min**

### KWS5417 type

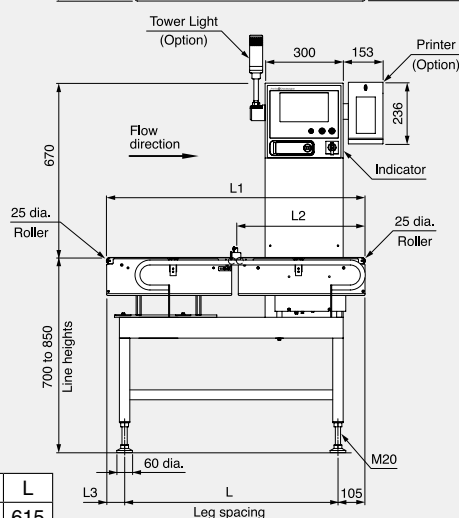
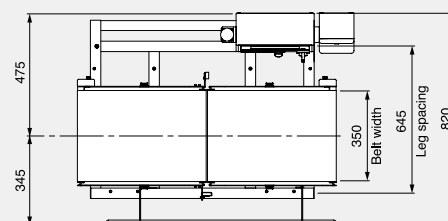
**Weighing range : 12 to 3000 g**

**Maximum accuracy (3 $\sigma$ ) :  $\pm 0.5$  g**

**Maximum speed : 220 products/min**

### External Dimensions

KWS5416BF16  
KWS5416BP16  
KWS5417BF17  
KWS5417BP17



Model	L1	L2	L3	L
KWS5416	805	400	85	615
KWS5417	995	495	70	820

Units: mm

### Specifications



Model	KWS5416BF16 KWS5416BP16	KWS5417BF17 KWS5417BP17
Weighing range	12 to 3000 g	12 to 3000 g
Scale interval	0.1 g	0.1 g
Maximum speed <sup>1</sup>	270 products/min	220 products/min
Maximum accuracy (3 $\sigma$ ) <sup>1</sup>	$\pm 0.5$ g	$\pm 0.5$ g
Display	8.5-inch color TFT LCD	
Operation method	Touch panel (Start, Stop, and Home are direct push buttons)	
Indication range	3009 g	
Preset memory	Maximum 200	
Classification	2 or 3	
Product size <sup>2</sup>	Width	20 to 350 mm
	Length	60 to 350 mm
	Height	5 to 350 mm
Belt speed	15 to 120 m/min	15 to 120 m/min
Power requirements	100 to 120 Vac +10% -15% or 200 to 240 Vac +10% -15%, single phase, 50/60 Hz, 250 VA, rush current 20 A (typ.) (20 ms or less)	
Mass	73 kg	76 kg
Environmental conditions	0 to 40°C (variation not to exceed 5°C/h to maintain accuracy), relative humidity 30 to 85%, non-condensing	
Protection class	IP30 compliance	
Exterior	F type: painted, P type: stainless steel (SUS304) (excluding some parts)	
Data output	USB port (USB2.0), Ethernet interface (10BASE-T, 100BASE-TX)	

<sup>1</sup> : The speed and accuracy vary according to the products to be weighed and the rejector.

<sup>2</sup> : The size of products to be weighed depends on the rejector; select a checkweigher together with a rejector. Consult us about semi-transparent and transparent products.

Note : The noise level of the checkweighers does not exceed 70 dB (A).



# Versatile

SSV-f series **SSV-f**

## KWS5623 type

- Weighing range : 60 to 15000 g
- Maximum accuracy (3 $\sigma$ ) :  $\pm 2$  g
- Maximum speed : 100 products/min

## KWS5625 type

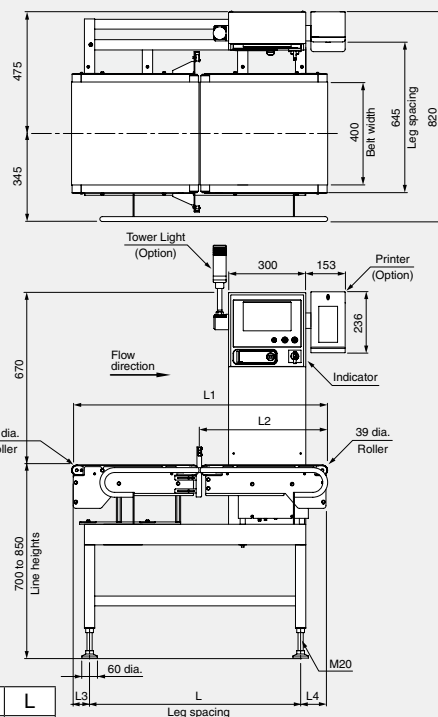
- Weighing range : 60 to 15000 g
- Maximum accuracy (3 $\sigma$ ) :  $\pm 2$  g
- Maximum speed : 85 products/min

## KWS5627 type

- Weighing range : 60 to 15000 g
- Maximum accuracy (3 $\sigma$ ) :  $\pm 2$  g
- Maximum speed : 65 products/min

## External Dimensions

KWS5623BF23  
KWS5623BP23  
KWS5625BF25  
KWS5625BP25  
KWS5627BF25  
KWS5627BP25



Model	L1	L2	L3	L4	L
KWS5623	805	400	85	105	615
KWS5625	995	495	70	105	820
KWS5627	1150	650	130	200	820

Units: mm

## Specifications



Model	KWS5623BF23 KWS5623BP23	KWS5625BF25 KWS5625BP25	KWS5627BF25 KWS5627BP25
Weighing range	60 to 15000 g	60 to 15000 g	60 to 15000 g
Scale interval	1 g	1 g	1 g
Maximum speed <sup>1</sup>	100 products/min	85 products/min	65 products/min
Maximum accuracy (3 $\sigma$ ) <sup>1</sup>	$\pm 2$ g	$\pm 2$ g	$\pm 2$ g
Display	8.5-inch color TFT LCD		
Operation method	Touch panel (Start, Stop, and Home are direct push buttons)		
Indication range	15045 g		
Preset memory	Maximum 200		
Classification	2 or 3		
Product size <sup>2</sup>	Width	20 to 450 mm	20 to 450 mm
	Length	88 to 350 mm	88 to 450 mm
	Height	5 to 350 mm	5 to 450 mm
Belt speed	5 to 46 m/min	5 to 46 m/min	5 to 46 m/min
Power requirements	100 to 120 Vac +10% -15% or 200 to 240 Vac +10% -15%, single phase, 50/60 Hz, 250 VA, rush current 20 A (typ.) (20 ms or less)		
Mass	79 kg	83 kg	85 kg
Environmental conditions	0 to 40°C (variation not to exceed 5°C/h to maintain accuracy), relative humidity 30 to 85%, non-condensing		
Protection class	IP30 compliance		
Exterior	F type: painted, P type: stainless steel (SUS304) (excluding some parts)		
Data output	USB port (USB2.0), Ethernet interface (10BASE-T, 100BASE-TX)		

<sup>1</sup> : The speed and accuracy vary according to the products to be weighed and the rejector.

<sup>2</sup> : The size of products to be weighed depends on the rejector; select a checkweigher together with a rejector. Consult us about semi-transparent and transparent products.

Note : The noise level of the checkweighers does not exceed 70 dB (A).

# Versatile

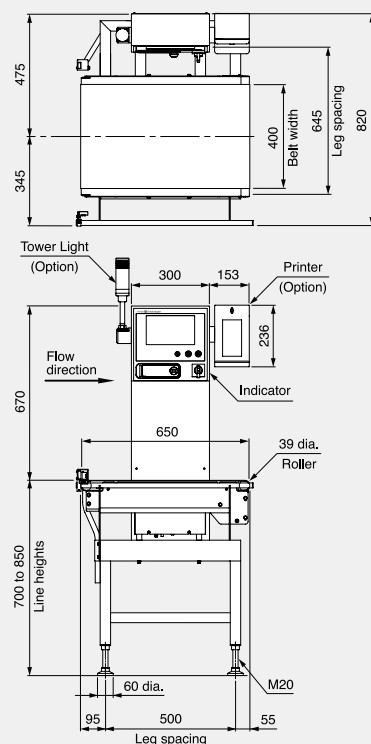
## SSV-f series **SSV-f**

### KWS5728 type

- Weighing range : **60 to 25000 g**
- Maximum accuracy (3 $\sigma$ ) :  **$\pm 2$  g**
- Maximum speed : **40** products/min

### External Dimensions

KWS5728BFNN  
KWS5728BPNN



Units: mm

### Specifications



Model	KWS5728BFNN KWS5728BPNN		
Weighing range	60 to 25000 g		
Scale interval	2 g		
Maximum speed <sup>1</sup>	40 products/min		
Maximum accuracy (3 $\sigma$ ) <sup>1</sup>	$\pm 2$ g		
Display	8.5-inch color TFT LCD		
Operation method	Touch panel (Start, Stop, and Home are direct push buttons)		
Indication range	25090 g		
Preset memory	Maximum 200		
Classification	2 or 3		
Product size <sup>2</sup>	Width W	20 to 450 mm	
	Length L	88 to 600 mm	
	Height H	5 to 600 mm	
Belt speed	5 to 29 m/min		
Power requirements	100 to 120 Vac +10% -15% or 200 to 240 Vac +10% -15%, single phase, 50/60 Hz, 250 VA, rush current 20 A (typ.) (20 ms or less)		
Mass	66 kg		
Environmental conditions	0 to 40°C (variation not to exceed 5°C/h to maintain accuracy), relative humidity 30 to 85%, non-condensing		
Protection class	IP30 compliance		
Exterior	F type: painted, P type: stainless steel (SUS304) (excluding some parts)		
Data output	USB port (USB2.0), Ethernet interface (10BASE-T, 100BASE-TX)		

<sup>1</sup> : The speed and accuracy vary according to the products to be weighed and the rejector.

<sup>2</sup> : The size of products to be weighed depends on the rejector; select a checkweigher together with a rejector. Consult us about semi-transparent and transparent products.

Note : The noise level of the checkweighers does not exceed 70 dB (A).



---

## ANRITSU INFIVIS CO., LTD.

### International Sales Department

5-1-1 Onna, Atsugi-shi, Kanagawa-Prf., 243-0032, JAPAN  
TEL: +81-46-296-6699 FAX: +81-46-296-6786  
<http://www.anritsu.com/infivis>

### Anritsu Industrial Solutions (Shanghai) Co., Ltd.

3F, No.55, Lane 1505, Zuchongzhi Road, Zhangjiang Hi-tech Park, Pudong New Area, Shanghai 201203, P.R.China  
TEL: +86-21-5046-3066 FAX: +86-21-5046-3068

### ANRITSU INFIVIS (THAILAND) CO., LTD.

700/678 Moo 1, Amata Nakorn Industrial Estate, T. Pangthong A. Pangthong Chonburi Province Thailand 20160  
TEL: +66 38-447180 FAX: +66 38-447182

### ANRITSU INFIVIS LTD.

200 Capability Green Luton LU1 3LU, United Kingdom  
TEL: +44(0)1582-433227 FAX: +44(0)1582-731303

### ANRITSU INFIVIS INC.

1001 Cambridge Drive. Elk Grove Village, IL 60007-2453, U.S.A.  
TEL: +1-847-419-9729 FAX: +1-847-537-8266

© ANRITSU INFIVIS CO., LTD. 2013

ISO14001 CERTIFICATE No.JQA-EM0210  
ISO 9001 CERTIFICATE No.JQA-0316

- Some products shown in this catalog may not be available in your country or region. Contact our sales representatives for details.
- To ensure proper operation, read the Operation Manual before using the machine.
- In addition to daily inspection, a full maintenance inspection should be completed annually.

Specifications are subject to change without notice.  
No part of this catalog may be reproduced without our permission.