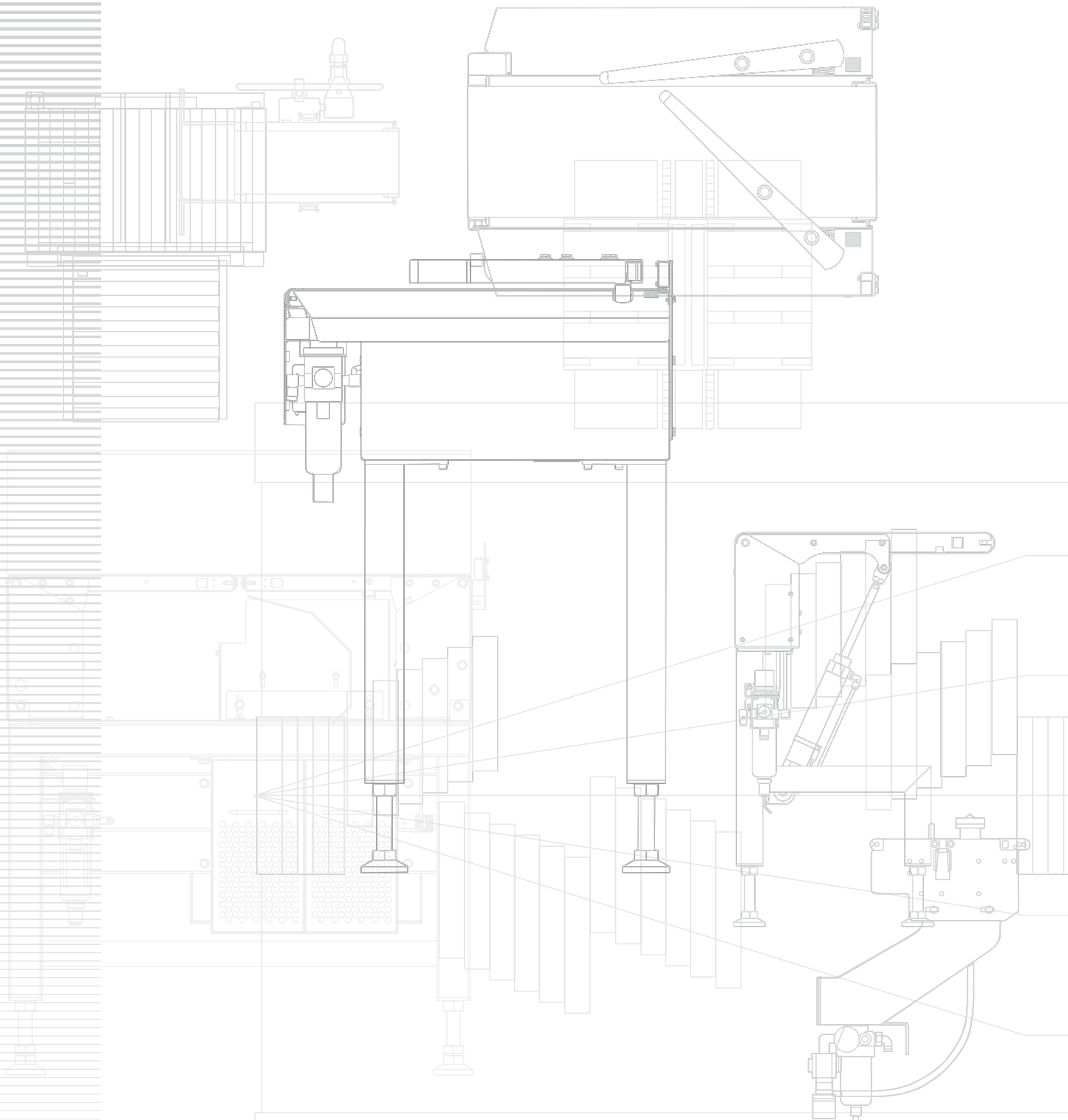


Rejector



Rejector



Line up

Flipper Type

The most common type of rejector is the flipper. NG products are pushed aside by the rejector gates (arms). It is ideal for products in boxes and thick bags.



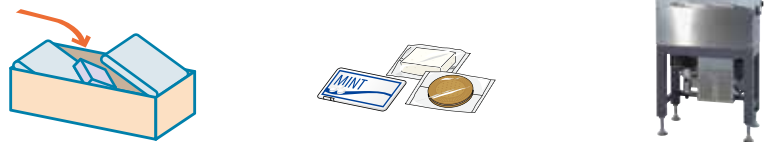
Dropout Type

The rejection conveyor drops down to drop the NG product. It is ideal for products in thin bags.



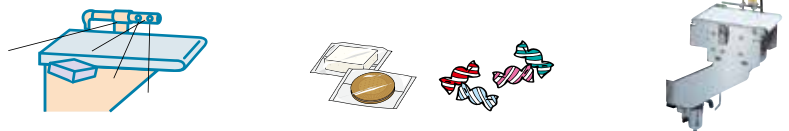
Up and Out Type

The rejection conveyor flips up so that the NG product drops out of the line. It is suitable for products in thin bags.



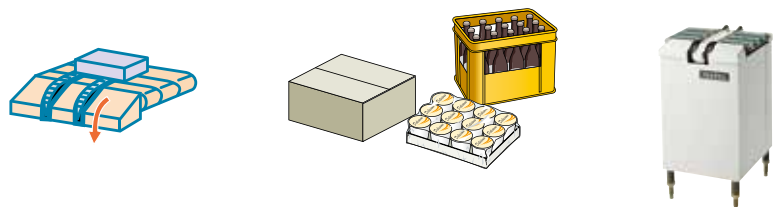
Air Jet Type

NG products are blown sideways off of the line by a powerful air jet. It is ideal for small, lightweight packaged products at high speed.



Trip Type

In this unusual belt method, NG products are carried off either left or right by belts running crosswise to the product flow. It is suitable for rejecting large packaged products.



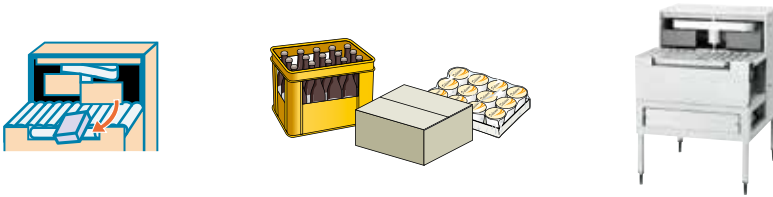
Pusher Type

NG products are pushed off the line sideways by the action of a gate attached to an air cylinder. It is suitable for rejecting products in packages and thick bags.



Turning Type

This method uses a turning gate to reject NG products. It is suitable for rejecting products in large packages and in thick bags at comparatively high speed.



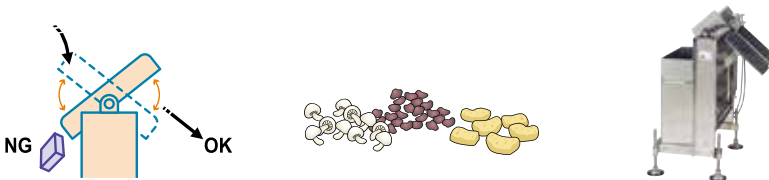
Carrier Type

NG products are sorted horizontally without any shock due to rejection. Since the rejection process doesn't cause any damage, it is ideal for fragile products.



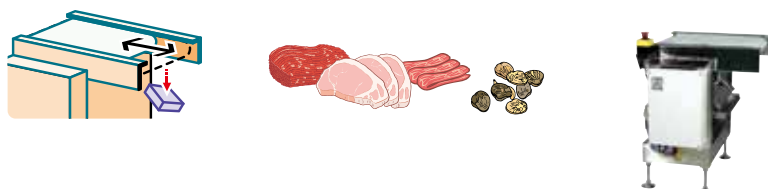
Chute Type

Rejected products fall when the chute is reversed. It is ideal for rejecting relatively light bulk products.



Shuttle Type

The belt on the rejector is expanded/contracted during the rejection to let the rejected products fall. It is ideal for unpackaged animal products and sticky bulk products.



Index

● Flipper Type	
Non-Waterproof	
SV/SSV Series Checkweigher	4
Inspection Systems, Non-SV/SSV Series Checkweigher	10
Waterproof	16
● Dropout Type	
Non-Waterproof	
SV/SSV Series Checkweigher	17
Inspection Systems, Non-SV/SSV Series Checkweigher	19
Waterproof	20
● Up and Out Type	23
● Air Jet Type	
Non-Waterproof	26
Waterproof	28
● Trip Type	29
● Pusher Type	
Non-Waterproof	30
Waterproof	33
● Turning Type	34
● Carrier Type	
Non-Waterproof	35
Waterproof	36
● Rejector for Metal Detector	
Dropout Type	38
Air Jet Type	40
● Rejector for X-ray Inspection System	
Chute Type	42
Shuttle Type	43
● Rejector Combinations	
Metal Detector	44
X-ray Inspection System	56
SV Series Checkweigher	60
SSV Series Checkweigher	64
● Option	72
● Compatible List	74

Flipper Type

Pneumatic **Three-Way** **SV/SSV Series Checkweigher** **Non-Waterproof** **Self-Standing**

*The speed varies depending on a product to be rejected.

KW4132 type

Maximum product size	Model	KW4132A◇B▼	KW4132B◇B▼	KW4132C◇B▼
	Width	160 mm	130 mm	100 mm
	Length	300 mm		
	Height	200 mm		
	Weight	1.2 kg		

KW4134 type

Maximum product size	Model	KW4134A◇B▼	KW4134B◇B▼	KW4134C◇B▼
	Width	400 mm	350 mm	320 mm
	Length	600 mm		
	Height	500 mm		
	Weight	10 [6] kg		

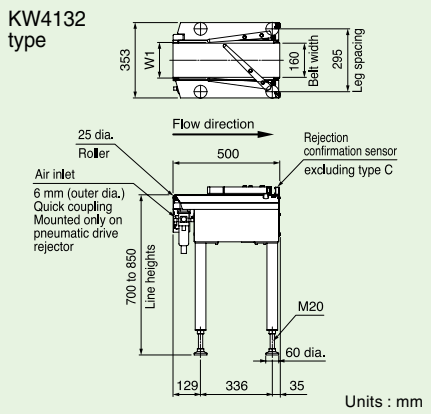
KW4133 type

Maximum product size	Model	KW4133A◇B▼	KW4133B◇B▼
	Width	250 mm	
	Length	300 mm	
	Height	200 mm	
	Weight	3 kg	



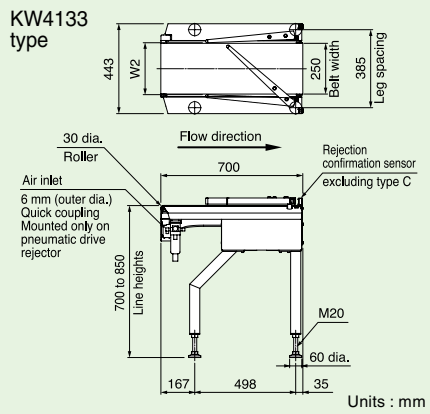
External Dimensions

KW4132 type



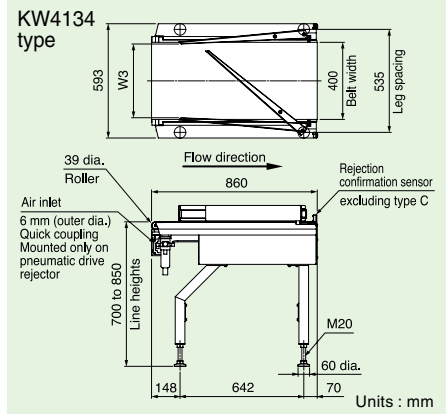
Maximum pass width	Model	W1 (mm)
	KW4132A◇B▼	180
	KW4132B◇B▼	155
	KW4132C◇B▼	120

KW4133 type



Maximum pass width	Model	W2 (mm)
	KW4133A◇B▼	280
	KW4133B◇B▼	265

KW4134 type



Maximum pass width	Model	W3 (mm)
	KW4134A◇B▼	420
	KW4134B◇B▼	380
	KW4134C◇B▼	350

Specifications

Model	KW4132A◇B▼	KW4132B◇B▼	KW4132C◇B▼	KW4133A◇B▼	KW4133B◇B▼	KW4134A◇B▼	KW4134B◇B▼	KW4134C◇B▼
Gate drive system	Pneumatic drive							
Classification	3							
Maximum product size and weight	Width (mm)	160	130	100	250	400	350	320
	Length (mm)	300			300	600		
	Height (mm)	200			200	500		
	Weight (kg)	1.2			0.6	3	10 [6] ^{Note 2}	
Maximum speed (products/min)	130	160	250	120	140	40	55 [60] ^{Note 2}	60 [90] ^{Note 2}
Belt speed (m/min)	15 to 120					5 to 49 [5 to 83] ^{Note 2}		
Air requirements ^{Note 1}	0.5 to 0.9 MPa, 0.2 ℓ [A.N.R.]					0.5 to 0.9 MPa, 0.6 ℓ [A.N.R.]		
Air inlet	Tube having outer diameter of 6 mm							
Power requirements	Supplied from SV/SSV series Checkweigher							
Power consumption	90 VA				150 VA			
Mass	30 kg		34 kg		56 kg			
Environmental conditions	0°C to 40°C, relative humidity 30% to 85%, non-condensing							
◇ Exterior	F	Painted, IP30 compliance						
	P	Stainless steel (SUS304), IP30 compliance						
▼ Type of SV functions included	A	Rejection Confirmation (pass side), Reject Operation Check, Chute Attachment Check						
	B	Rejection Confirmation (pass side)						
	C	Without SV function						
Connectable model	SV/SSV series Checkweigher							

Note 1 : Maximum capacity per rejection operation.
 Note 2 : The value in [] is supported by changing belts.



Flipper Type
 Dropout Type
 Up and Out Type
 Air Jet Type
 Trip Type
 Pusher Type
 Turning Type
 Carrier Type
 Rejector for X-Ray
 Inspection System

Flipper Type

⚡ Electric
↔ Three-Way
SV/SSV Series Checkweigher
🚫 Non-Waterproof
🏠 Self-Standing

*The speed varies depending on a product to be rejected.

KW4132 type

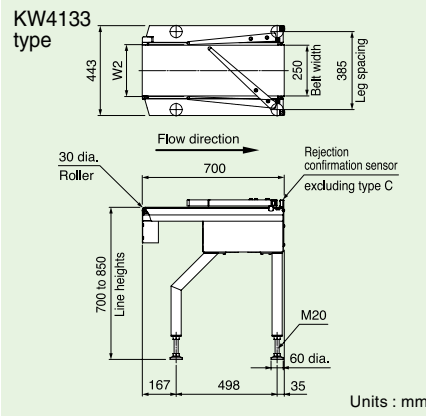
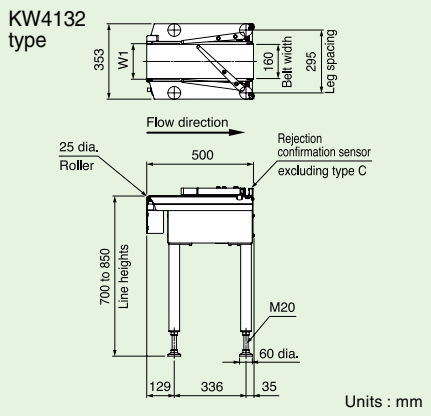
Maximum product size	Model	KW4132G◇B▼	KW4132H◇B▼	KW4132J◇B▼
	Width	160 mm	130 mm	100 mm
	Length	300 mm		120 mm
	Height	200 mm		60 mm
	Weight	1.2 kg		0.6 kg

KW4133 type

Maximum product size	Model	KW4133G◇B▼	KW4133H◇B▼
	Width	250 mm	
	Length	300 mm	
	Height	200 mm	
	Weight	1.2 kg	



External Dimensions



Maximum pass width	Model	W1 (mm)
	KW4132G◇B▼	180
	KW4132H◇B▼	155
	KW4132J◇B▼	120

Maximum pass width	Model	W2 (mm)
	KW4133G◇B▼	280
	KW4133H◇B▼	265

Specifications



Model	KW4132G◇B▼	KW4132H◇B▼	KW4132J◇B▼	KW4133G◇B▼	KW4133H◇B▼
Gate drive system	Electric drive				
Classification	3				
Maximum product size and weight	Width (mm)	160	130	100	250
	Length (mm)	300		120	300
	Height (mm)	200		60	200
	Weight (kg)	1.2		0.6	1.2
Maximum speed (products/min)	180	210	250	160	170
Belt speed (m/min)	15 to 120				
Power requirements	Supplied from SV/SSV series Checkweigher				
Power consumption	190 VA				
Mass	36 kg			40 kg	
Environmental conditions	0°C to 40°C, relative humidity 30% to 85%, non-condensing				
◇ Exterior	F	Painted, IP30 compliance			
	P	Stainless steel (SUS304), IP30 compliance			
▼ Type of SV functions included	A	Rejection Confirmation (pass side), Reject Operation Check, Chute Attachment Check			
	B	Rejection Confirmation (pass side)			
	C	Without SV function			
Connectable model	SV/SSV series Checkweigher				

Flipper Type

Pneumatic **Two-Way** **SV/SSV Series Checkweigher** **Non-Waterproof** **Self-Standing**

*The speed varies depending on a product to be rejected.

KW4232 type

Maximum product size	Model	KW4232A◇B▼	KW4232B◇B▼	KW4232C◇B▼
	Width	160 mm	130 mm	100 mm
	Length	300 mm	120 mm	120 mm
	Height	200 mm	60 mm	
	Weight	1.2 kg		0.6 kg

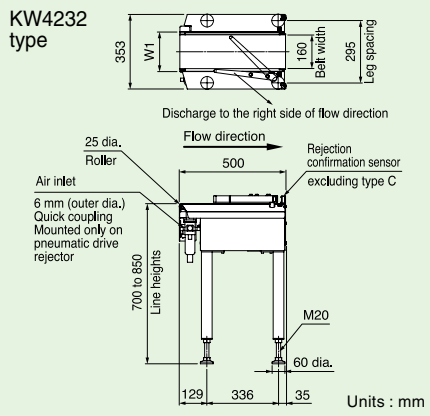
KW4234 type

Maximum product size	Model	KW4234A◇B▼	KW4234B◇B▼	KW4234C◇B▼
	Width	400 mm	350 mm	320 mm
	Length	600 mm		
	Height		500 mm	
	Weight		10 [6] kg	

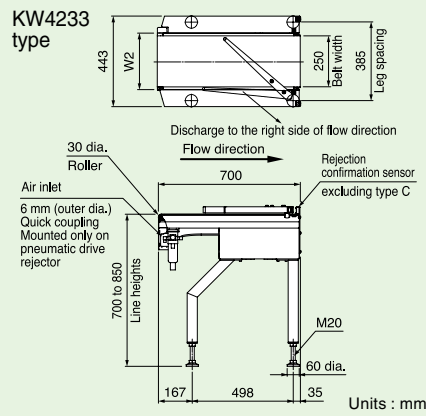
KW4233 type

Maximum product size	Model	KW4233A◇B▼	KW4233B◇B▼
	Width	250 mm	
	Length	300 mm	
	Height	200 mm	
	Weight	3 kg	

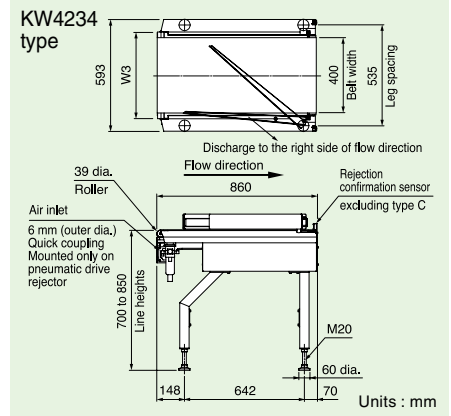
External Dimensions (Discharge to the Right side of flow direction)



Maximum pass width	Model	W1 (mm)
	KW4232A◇B▼	180
	KW4232B◇B▼	155
	KW4232C◇B▼	120



Maximum pass width	Model	W2 (mm)
	KW4233A◇B▼	280
	KW4233B◇B▼	265



Maximum pass width	Model	W3 (mm)
	KW4234A◇B▼	420
	KW4234B◇B▼	380
	KW4234C◇B▼	350

Specifications

Model	KW4232A◇B▼	KW4232B◇B▼	KW4232C◇B▼	KW4233A◇B▼	KW4233B◇B▼	KW4234A◇B▼	KW4234B◇B▼	KW4234C◇B▼
Gate drive system	Pneumatic drive							
Classification	2 (Discharge to the right side of flow direction)							
Maximum product size and weight	Width (mm)	160	130	100	250	400	350	320
	Length (mm)		300	120	300		600	
	Height (mm)		200	60	200		500	
	Weight (kg)		1.2	0.6	3		10 [6] ^{Note 2}	
Maximum speed (products/min)	130	160	250	120	140	40	55 [60] ^{Note 2}	60 [90] ^{Note 2}
Belt speed (m/min)	15 to 120					5 to 49 [5 to 83] ^{Note 2}		
Air requirements ^{Note 1}	0.5 to 0.9 MPa, 0.1 ℓ [A.N.R.]					0.5 to 0.9 MPa, 0.3 ℓ [A.N.R.]		
Air inlet	Tube having outer diameter of 6 mm							
Power requirements	Supplied from SV/SSV series Checkweigher							
Power consumption	90 VA					150 VA		
Mass	30 kg			34 kg		56 kg		
Environmental conditions	0°C to 40°C, relative humidity 30% to 85%, non-condensing							
◇ Exterior	F	Painted, IP30 compliance						
	P	Stainless steel (SUS304), IP30 compliance						
▼ Type of SV functions included	A	Rejection Confirmation (pass side), Reject Operation Check, Chute Attachment Check						
	B	Rejection Confirmation (pass side)						
	C	Without SV function						
Connectable model	SV/SSV series Checkweigher							

Note 1 : Maximum capacity per rejection operation.
 Note 2 : The value in [] is supported by changing belts.



Flipper Type

Pneumatic **Two-Way** **SV/SSV Series Checkweigher** **Non-Waterproof** **Self-Standing**

*The speed varies depending on a product to be rejected.

KW4232 type

Maximum product size	Model	KW4232D◇B▼	KW4232E◇B▼	KW4232F◇B▼
	Width	160 mm	130 mm	100 mm
	Length	300 mm		
	Height	200 mm		
	Weight	1.2 kg		

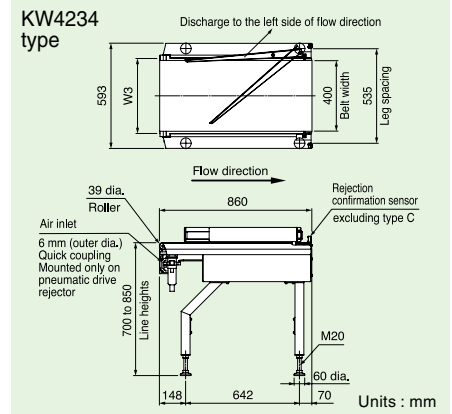
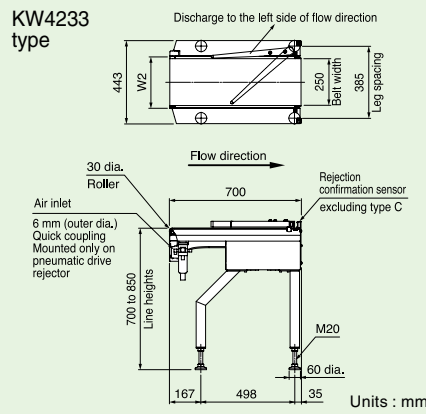
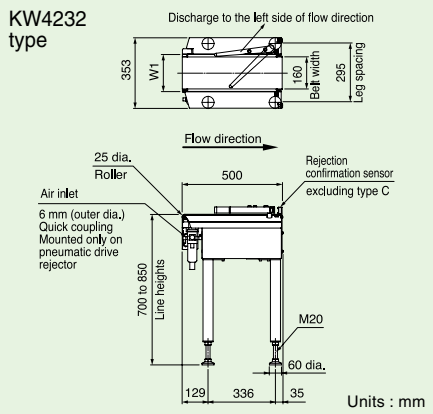
KW4234 type

Maximum product size	Model	KW4234D◇B▼	KW4234E◇B▼	KW4234F◇B▼
	Width	400 mm	350 mm	320 mm
	Length	600 mm		
	Height	500 mm		
	Weight	10 [6] kg		

KW4233 type

Maximum product size	Model	KW4233D◇B▼	KW4233E◇B▼
	Width	250 mm	
	Length	300 mm	
	Height	200 mm	
	Weight	3 kg	

External Dimensions (Discharge to the Left side of flow direction)



Maximum pass width	Model	W1 (mm)
	KW4232D◇B▼	180
	KW4232E◇B▼	155
	KW4232F◇B▼	120

Maximum pass width	Model	W2 (mm)
	KW4233D◇B▼	280
	KW4233E◇B▼	265

Maximum pass width	Model	W3 (mm)
	KW4234D◇B▼	420
	KW4234E◇B▼	380
	KW4234F◇B▼	350

Specifications

Model	KW4232D◇B▼	KW4232E◇B▼	KW4232F◇B▼	KW4233D◇B▼	KW4233E◇B▼	KW4234D◇B▼	KW4234E◇B▼	KW4234F◇B▼
Gate drive system	Pneumatic drive							
Classification	2 (Discharge to the left side of flow direction)							
Maximum product size and weight	Width (mm)	160	130	100	250	400	350	320
	Length (mm)	300			300	600		
	Height (mm)	200			200	500		
	Weight (kg)	1.2			0.6	3	10 [6] ^{Note 2}	
Maximum speed (products/min)	130	160	250	120	140	40	55 [60] ^{Note 2}	60 [90] ^{Note 2}
Belt speed (m/min)	15 to 120					5 to 49 [5 to 83] ^{Note 2}		
Air requirements ^{Note 1}	0.5 to 0.9 MPa, 0.1 ℓ [A.N.R.]					0.5 to 0.9 MPa, 0.3 ℓ [A.N.R.]		
Air inlet	Tube having outer diameter of 6 mm							
Power requirements	Supplied from SV/SSV series Checkweigher							
Power consumption	90 VA				150 VA			
Mass	30 kg			34 kg		56 kg		
Environmental conditions	0°C to 40°C, relative humidity 30% to 85%, non-condensing							
◇ Exterior	F	Painted, IP30 compliance						
	P	Stainless steel (SUS304), IP30 compliance						
▼ Type of SV functions included	A	Rejection Confirmation (pass side), Reject Operation Check, Chute Attachment Check						
	B	Rejection Confirmation (pass side)						
	C	Without SV function						
Connectable model	SV/SSV series Checkweigher							

Note 1 : Maximum capacity per rejection operation.
 Note 2 : The value in [] is supported by changing belts.

Flipper Type

⚡ Electric
↔ Two-Way
SV/SSV Series Checkweigher
⚡ Non-Waterproof
🏠 Self-Standing

*The speed varies depending on a product to be rejected.

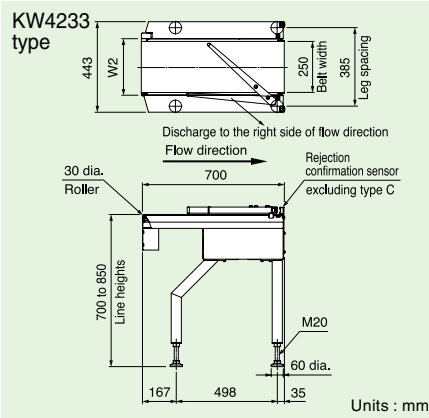
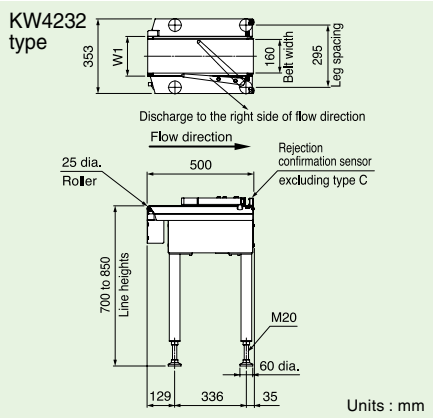
KW4232 type

Model	KW4232G◇B▼	KW4232H◇B▼	KW4232J◇B▼
Width	160 mm	130 mm	100 mm
Length	300 mm		120 mm
Height	200 mm		60 mm
Weight	1.2 kg		0.6 kg

KW4233 type

Model	KW4233G◇B▼	KW4233H◇B▼
Width	250 mm	
Length	300 mm	
Height	200 mm	
Weight	1.2 kg	

External Dimensions (Discharge to the Right side of flow direction)



Maximum pass width	Model	W1 (mm)
	KW4232G◇B▼	180
	KW4232H◇B▼	155
	KW4232J◇B▼	120

Maximum pass width	Model	W2 (mm)
	KW4233G◇B▼	280
	KW4233H◇B▼	265



Specifications

Model	KW4232G◇B▼	KW4232H◇B▼	KW4232J◇B▼	KW4233G◇B▼	KW4233H◇B▼
Gate drive system	Electric drive				
Classification	2 (Discharge to the right side of flow direction)				
Maximum product size and weight	Width (mm)	160	130	100	250
	Length (mm)	300		120	300
	Height (mm)	200		60	200
	Weight (kg)	1.2		0.6	1.2
Maximum speed (products/min)	180	210	250	160	170
Belt speed (m/min)	15 to 120				
Power requirements	Supplied from SV/SSV series Checkweigher				
Power consumption	90 VA				
Mass	36 kg			40 kg	
Environmental conditions	0°C to 40°C, relative humidity 30% to 85%, non-condensing				
◇ Exterior	F	Painted, IP30 compliance			
	P	Stainless steel (SUS304), IP30 compliance			
▼ Type of SV functions included	A	Rejection Confirmation (pass side), Reject Operation Check, Chute Attachment Check			
	B	Rejection Confirmation (pass side)			
	C	Without SV function			
Connectable model	SV/SSV series Checkweigher				

Flipper Type
 Dropout Type
 Up and Out Type
 Air Jet Type
 Trip Type
 Pusher Type
 Turning Type
 Carrier Type
 Rejector for Metal Detector
 Rejector for X-Ray Inspection System

Flipper Type

⚡ Electric
↔ Two-Way
SV/SSV Series Checkweigher
☔ Non-Waterproof
🏠 Self-Standing

*The speed varies depending on a product to be rejected.

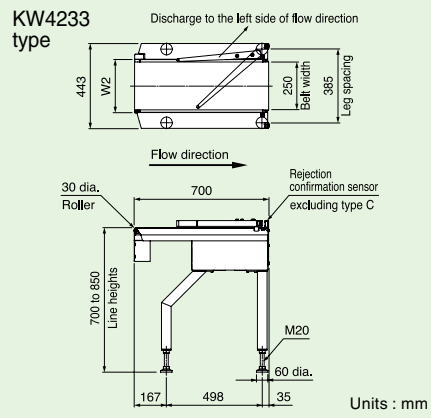
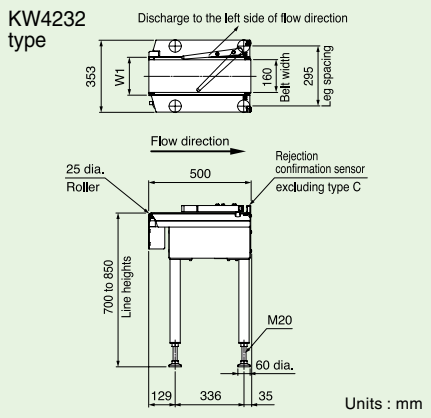
KW4232 type

Maximum product size	Model	KW4232K◇B▼	KW4232L◇B▼	KW4232M◇B▼
	Width	160 mm	130 mm	100 mm
	Length	300 mm		120 mm
	Height	200 mm		60 mm
	Weight	1.2 kg		0.6 kg

KW4233 type

Maximum product size	Model	KW4233K◇B▼	KW4233L◇B▼
	Width	250 mm	
	Length	300 mm	
	Height	200 mm	
	Weight	1.2 kg	

External Dimensions (Discharge to the Left side of flow direction)



Maximum pass width	Model	W1 (mm)
	KW4232K◇B▼	180
	KW4232L◇B▼	155
	KW4232M◇B▼	120

Maximum pass width	Model	W2 (mm)
	KW4233K◇B▼	280
	KW4233L◇B▼	265

Specifications



Model	KW4232K◇B▼	KW4232L◇B▼	KW4232M◇B▼	KW4233K◇B▼	KW4233L◇B▼
Gate drive system	Electric drive				
Classification	2 (Discharge to the left side of flow direction)				
Maximum product size and weight	Width (mm)	160	130	100	250
	Length (mm)	300		120	300
	Height (mm)	200		60	200
	Weight (kg)	1.2		0.6	1.2
Maximum speed (products/min)	180	210	250	160	170
Belt speed (m/min)	15 to 120				
Power requirements	Supplied from SV/SSV series Checkweigher				
Power consumption	90 VA				
Mass	36 kg			40 kg	
Environmental conditions	0°C to 40°C, relative humidity 30% to 85%, non-condensing				
◇ Exterior	F	Painted, IP30 compliance			
	P	Stainless steel (SUS304), IP30 compliance			
▼ Type of SV functions included	A	Rejection Confirmation (pass side), Reject Operation Check, Chute Attachment Check			
	B	Rejection Confirmation (pass side)			
	C	Without SV function			
Connectable model	SV/SSV series Checkweigher				

Flipper Type

- Pneumatic
 - Three-Way
 - Non-SV/SSV Series Checkweigher
 - Non-Waterproof
 - Self-Standing
- X-ray Inspection System, Metal Detector

*The speed varies depending on a product to be rejected.

KW4132 type

Maximum product size	Model	KW4132A◇A▼	KW4132B◇A▼	KW4132C◇A▼
Width		160 mm	130 mm	100 mm
Length		300 mm	120 mm	120 mm
Height		200 mm	60 mm	60 mm
Weight		1.2 kg		0.6 kg

KW4134 type

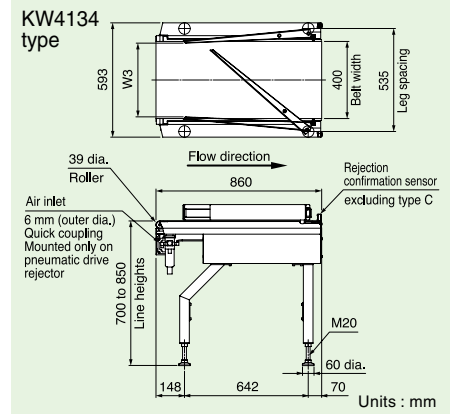
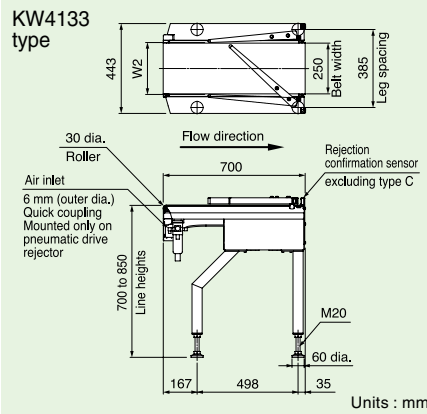
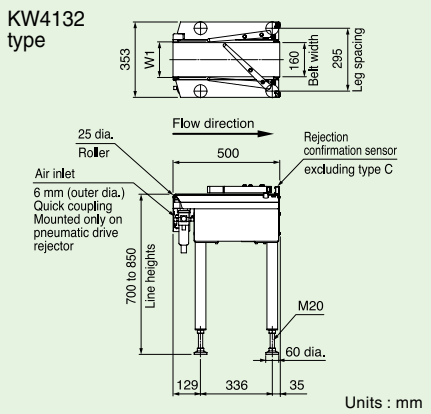
Maximum product size	Model	KW4134A◇A▼	KW4134B◇A▼	KW4134C◇A▼
Width		400 mm	350 mm	320 mm
Length		600 mm		
Height		500 mm		
Weight		10 [6] kg		

KW4133 type

Maximum product size	Model	KW4133A◇A▼	KW4133B◇A▼
Width		250 mm	
Length		300 mm	
Height		200 mm	
Weight		3 kg	



External Dimensions



Maximum pass width	Model	W1 (mm)
	KW4132A◇A▼	180
	KW4132B◇A▼	155
	KW4132C◇A▼	120

Maximum pass width	Model	W2 (mm)
	KW4133A◇A▼	280
	KW4133B◇A▼	265

Maximum pass width	Model	W3 (mm)
	KW4134A◇A▼	420
	KW4134B◇A▼	380
	KW4134C◇A▼	350

Specifications

Model	KW4132A◇A▼	KW4132B◇A▼	KW4132C◇A▼	KW4133A◇A▼	KW4133B◇A▼	KW4134A◇A▼	KW4134B◇A▼	KW4134C◇A▼
Gate drive system	Pneumatic drive							
Classification	3							
Maximum product size and weight	Width (mm)	160	130	100	250	400	350	320
	Length (mm)	300		120	300		600	
	Height (mm)	200		60	200		500	
	Weight (kg)	1.2		0.6	3		10 [6] ^{Note 3}	
Maximum speed (products/min)	130	160	250	120	140	40	55 [60] ^{Note 3}	60 [90] ^{Note 3}
Belt speed (m/min)	15 to 120					5 to 49 [5 to 83] ^{Note 3}		
Air requirements ^{Note 1}	0.5 to 0.9 MPa, 0.2 ℓ [A.N.R.]						0.5 to 0.9 MPa, 0.6 ℓ [A.N.R.]	
Air inlet	Tube having outer diameter of 6 mm							
Power requirements	100 Vac to 120 Vac +10% -15% or 200 Vac to 240 Vac +10% -15%, single phase, 50/60 Hz							
Power consumption	90 VA					150 VA		
Mass	30 kg			34 kg		56 kg		
Environmental conditions	0°C to 40°C, relative humidity 30% to 85%, non-condensing							
◇ Exterior	Painted, IP30 compliance							
	Stainless steel (SUS304), IP30 compliance							
▼ Type of SV functions included	Rejection Confirmation (pass side), Reject Operation Check, Chute Attachment Check ^{Note 2}							
	Rejection Confirmation (pass side) ^{Note 2}							
	Without SV function							
Connectable model	X-ray inspection system, Metal detector, Non-SV/SSV series Checkweigher, devices of other manufacturers ^{Note 4}							

Note 1 : Maximum capacity per rejection operation.
 Note 2 : Note that the function may not perform depending on the model to be connected. Contact us for details.
 Note 3 : The value in [] is supported by changing belts.
 Note 4 : Contact us for connection specifications.



Flipper Type

- Electric
 - Three-Way
 - Non-SV/SSV Series Checkweigher
 - Non-Waterproof
 - Self-Standing
- X-ray Inspection System, Metal Detector

*The speed varies depending on a product to be rejected.

KW4132 type

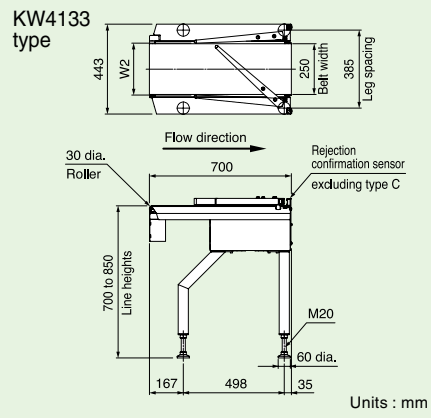
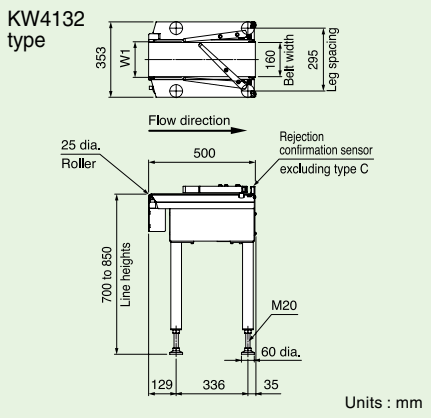
Maximum product size	Model	KW4132G◇A▼	KW4132H◇A▼	KW4132J◇A▼
	Width	160 mm	130 mm	100 mm
	Length	300 mm		120 mm
	Height	200 mm		60 mm
	Weight	1.2 kg		0.6 kg

KW4133 type

Maximum product size	Model	KW4133G◇A▼	KW4133H◇A▼
	Width	250 mm	
	Length	300 mm	
	Height	200 mm	
	Weight	1.2 kg	



External Dimensions



Maximum pass width	Model	W1 (mm)
	KW4132G◇A▼	180
	KW4132H◇A▼	155
	KW4132J◇A▼	120

Maximum pass width	Model	W2 (mm)
	KW4133G◇A▼	280
	KW4133H◇A▼	265

Specifications



Model	KW4132G◇A▼	KW4132H◇A▼	KW4132J◇A▼	KW4133G◇A▼	KW4133H◇A▼
Gate drive system	Electric drive				
Classification	3				
Maximum product size and weight	Width (mm)	160	130	100	250
	Length (mm)	300		120	300
	Height (mm)	200		60	200
	Weight (kg)	1.2		0.6	1.2
Maximum speed (products/min)	180	210	250	160	170
Belt speed (m/min)	15 to 120				
Power requirements	100 Vac to 120 Vac +10% -15% or 200 Vac to 240 Vac +10% -15%, single phase, 50/60 Hz				
Power consumption	190 VA				
Mass	36 kg			40 kg	
Environmental conditions	0°C to 40°C, relative humidity 30% to 85%, non-condensing				
◇ Exterior	F	Painted, IP30 compliance			
	P	Stainless steel (SUS304), IP30 compliance			
▼ Type of SV functions included	A	Rejection Confirmation (pass side), Reject Operation Check, Chute Attachment Check ^{Note 1}			
	B	Rejection Confirmation (pass side) ^{Note 1}			
	C	Without SV function			
Connectable model	X-ray inspection system, Metal detector, Non-SV/SSV series Checkweigher, devices of other manufacturers ^{Note 2}				

Note 1 : Note that the function may not perform depending on the model to be connected. Contact us for details.
 Note 2 : Contact us for connection specifications.

Flipper Type

- Pneumatic
 - Two-Way
 - Non-SV/SSV Series Checkweigher
 - Non-Waterproof
 - Self-Standing
- X-ray Inspection System, Metal Detector

*The speed varies depending on a product to be rejected.

Flipper Type
Dropout Type
Up and Out Type
Air Jet Type
Trip Type
Pusher Type
Turning Type
Carrier Type
Rejector for X-Ray Inspection System

KW4232 type

Maximum product size	Model	KW4232A◇A▼	KW4232B◇A▼	KW4232C◇A▼
	Width	160 mm	130 mm	100 mm
	Length	300 mm	120 mm	120 mm
	Height	200 mm	60 mm	60 mm
	Weight	1.2 kg		0.6 kg

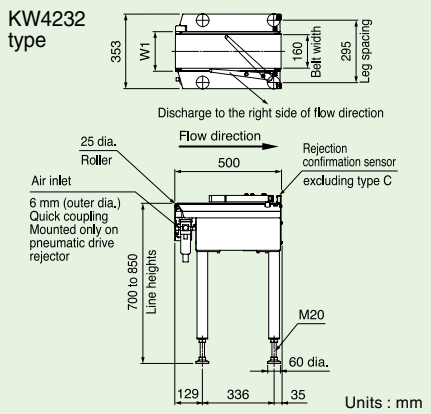
KW4234 type

Maximum product size	Model	KW4234A◇A▼	KW4234B◇A▼	KW4234C◇A▼
	Width	400 mm	350 mm	320 mm
	Length	600 mm		
	Height	500 mm		
	Weight	10 [6] kg		

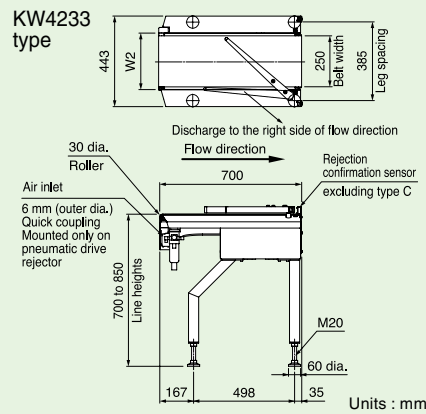
KW4233 type

Maximum product size	Model	KW4233A◇A▼	KW4233B◇A▼
	Width	250 mm	
	Length	300 mm	
	Height	200 mm	
	Weight	3 kg	

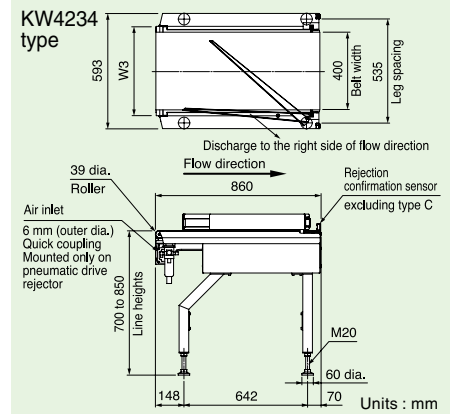
External Dimensions (Discharge to the Right side of flow direction)



Maximum pass width	Model	W1 (mm)
	KW4232A◇A▼	180
	KW4232B◇A▼	155
	KW4232C◇A▼	120



Maximum pass width	Model	W2 (mm)
	KW4233A◇A▼	280
	KW4233B◇A▼	265



Maximum pass width	Model	W3 (mm)
	KW4234A◇A▼	420
	KW4234B◇A▼	380
	KW4234C◇A▼	350



Specifications

Model	KW4232A◇A▼	KW4232B◇A▼	KW4232C◇A▼	KW4233A◇A▼	KW4233B◇A▼	KW4234A◇A▼	KW4234B◇A▼	KW4234C◇A▼
Gate drive system	Pneumatic drive							
Classification	2 (Discharge to the right side of flow direction)							
Maximum product size and weight	Width (mm)	160	130	100	250	400	350	320
	Length (mm)	300		120	300		600	
	Height (mm)	200		60	200		500	
	Weight (kg)	1.2		0.6	3		10 [6] ^{Note 3}	
Maximum speed (products/min)	130	160	250	120	140	40	55 [60] ^{Note 3}	60 [90] ^{Note 3}
Belt speed (m/min)	15 to 120						5 to 49 [5 to 83] ^{Note 3}	
Air requirements ^{Note 1}	0.5 to 0.9 MPa, 0.1 ℓ [A.N.R.]							
Air inlet	Tube having outer diameter of 6 mm							
Power requirements	100 Vac to 120 Vac +10% -15% or 200 Vac to 240 Vac +10% -15%, single phase, 50/60 Hz							
Power consumption	90 VA				150 VA			
Mass	30 kg			34 kg		56 kg		
Environmental conditions	0°C to 40°C, relative humidity 30% to 85%, non-condensing							
◇ Exterior	F	Painted, IP30 compliance						
	P	Stainless steel (SUS304), IP30 compliance						
▼ Type of SV functions included	A	Rejection Confirmation (pass side), Reject Operation Check, Chute Attachment Check ^{Note 2}						
	B	Rejection Confirmation (pass side) ^{Note 2}						
	C	Without SV function						
Connectable model	X-ray inspection system, Metal detector, Non-SV/SSV series Checkweigher, devices of other manufacturers ^{Note 4}							

Note 1 : Maximum capacity per rejection operation.
 Note 2 : Note that the function may not perform depending on the model to be connected. Contact us for details.
 Note 3 : The value in [] is supported by changing belts.
 Note 4 : Contact us for connection specifications.

Flipper Type

- Pneumatic
 - Two-Way
 - Non-SV/SSV Series Checkweigher
 - Non-Waterproof
 - Self-Standing
- X-ray Inspection System, Metal Detector

*The speed varies depending on a product to be rejected.

KW4232 type

Maximum product size	Model	KW4232D◊A▼	KW4232E◊A▼	KW4232F◊A▼
	Width	160 mm	130 mm	100 mm
	Length	300 mm		
	Height	200 mm		
	Weight	1.2 kg		

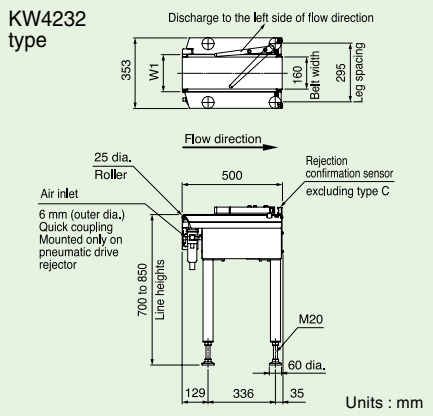
KW4234 type

Maximum product size	Model	KW4234D◊A▼	KW4234E◊A▼	KW4234F◊A▼
	Width	400 mm	350 mm	320 mm
	Length	600 mm		
	Height	500 mm		
	Weight	10 [6] kg		

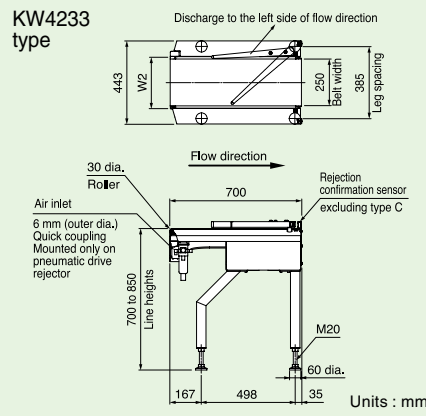
KW4233 type

Maximum product size	Model	KW4233D◊A▼	KW4233E◊A▼
	Width	250 mm	
	Length	300 mm	
	Height	200 mm	
	Weight	3 kg	

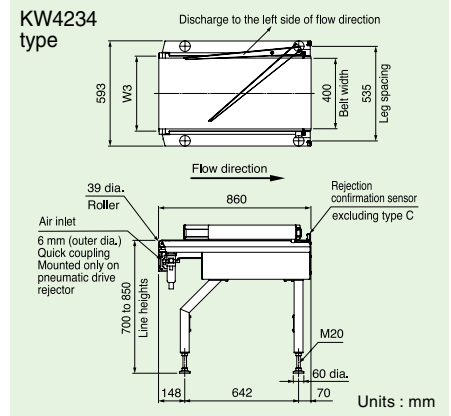
External Dimensions (Discharge to the Left side of flow direction)



Maximum pass width	Model	W1 (mm)
	KW4232D◊A▼	180
	KW4232E◊A▼	155
	KW4232F◊A▼	120



Maximum pass width	Model	W2 (mm)
	KW4233D◊A▼	280
	KW4233E◊A▼	265



Maximum pass width	Model	W3 (mm)
	KW4234D◊A▼	420
	KW4234E◊A▼	380
	KW4234F◊A▼	350

Specifications



Model	KW4232D◊A▼	KW4232E◊A▼	KW4232F◊A▼	KW4233D◊A▼	KW4233E◊A▼	KW4234D◊A▼	KW4234E◊A▼	KW4234F◊A▼	
Gate drive system	Pneumatic drive								
Classification	2 (Discharge to the left side of flow direction)								
Maximum product size and weight	Width (mm)	160	130	100	250	400	350	320	
	Length (mm)	300			300		600		
	Height (mm)	200			200		500		
	Weight (kg)	1.2			0.6		3		
Maximum speed (products/min)	130	160	250	120	140	40	55 [60] Note 3	60 [90] Note 3	
Belt speed (m/min)	15 to 120						5 to 49 [5 to 83] Note 3		
Air requirements Note 1	0.5 to 0.9 MPa, 0.1 ℓ [A.N.R.]						0.5 to 0.9 MPa, 0.3 ℓ [A.N.R.]		
Air inlet	Tube having outer diameter of 6 mm								
Power requirements	100 Vac to 120 Vac +10% -15% or 200 Vac to 240 Vac +10% -15%, single phase, 50/60 Hz								
Power consumption	90 VA						150 VA		
Mass	30 kg			34 kg		56 kg			
Environmental conditions	0°C to 40°C, relative humidity 30% to 85%, non-condensing								
◊ Exterior	F	Painted, IP30 compliance							
	P	Stainless steel (SUS304), IP30 compliance							
▼ Type of SV functions included	A	Rejection Confirmation (pass side), Reject Operation Check, Chute Attachment Check Note 2							
	B	Rejection Confirmation (pass side) Note 2							
	C	Without SV function							
Connectable model	X-ray inspection system, Metal detector, Non-SV/SSV series Checkweigher, devices of other manufacturers Note 4								

Note 1 : Maximum capacity per rejection operation.
 Note 2 : Note that the function may not perform depending on the model to be connected. Contact us for details.
 Note 3 : The value in [] is supported by changing belts.
 Note 4 : Contact us for connection specifications.

Flipper Type

- Electric
 - Two-Way
 - Non-SV/SSV Series Checkweigher
 - Non-Waterproof
 - Self-Standing
- X-ray Inspection System, Metal Detector

*The speed varies depending on a product to be rejected.

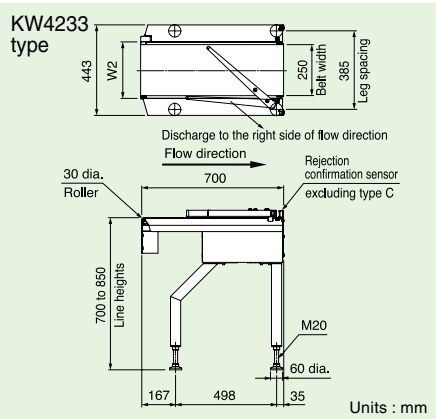
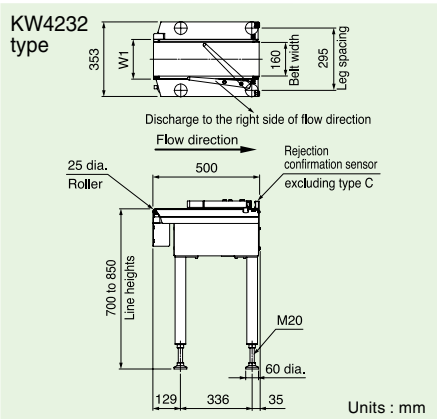
KW4232 type

Maximum product size	Model	KW4232G◇A▼	KW4232H◇A▼	KW4232J◇A▼
	Width	160 mm	130 mm	100 mm
	Length	300 mm		120 mm
	Height	200 mm		60 mm
	Weight	1.2 kg		0.6 kg

KW4233 type

Maximum product size	Model	KW4233G◇A▼	KW4233H◇A▼
	Width	250 mm	
	Length	300 mm	
	Height	200 mm	
	Weight	1.2 kg	

External Dimensions (Discharge to the Right side of flow direction)



Maximum pass width	Model	W1 (mm)
	KW4232G◇A▼	180
	KW4232H◇A▼	155
	KW4232J◇A▼	120

Maximum pass width	Model	W2 (mm)
	KW4233G◇A▼	280
	KW4233H◇A▼	265



Specifications

Model	KW4232G◇A▼	KW4232H◇A▼	KW4232J◇A▼	KW4233G◇A▼	KW4233H◇A▼
Gate drive system	Electric drive				
Classification	2 (Discharge to the right side of flow direction)				
Maximum product size and weight	Width (mm)	160	130	100	250
	Length (mm)	300		120	300
	Height (mm)	200		60	200
	Weight (kg)	1.2		0.6	1.2
Maximum speed (products/min)	180	210	250	160	170
Belt speed (m/min)	15 to 120				
Power requirements	100 Vac to 120 Vac +10% -15% or 200 Vac to 240 Vac +10% -15%, single phase, 50/60 Hz				
Power consumption	190 VA				
Mass	36 kg			40 kg	
Environmental conditions	0°C to 40°C, relative humidity 30% to 85%, non-condensing				
◇ Exterior	F	Painted, IP30 compliance			
	P	Stainless steel (SUS304), IP30 compliance			
▼ Type of SV functions included	A	Rejection Confirmation (pass side), Reject Operation Check, Chute Attachment Check ^{Note 1}			
	B	Rejection Confirmation (pass side) ^{Note 1}			
	C	Without SV function			
Connectable model	X-ray inspection system, Metal detector, Non-SV/SSV series Checkweigher, devices of other manufacturers ^{Note 2}				

Note 1 : Note that the function may not perform depending on the model to be connected. Contact us for details.

Note 2 : Contact us for connection specifications.

Flipper Type

Dropout Type

Up and Out Type

Air Jet Type

Trip Type

Pusher Type

Turning Type

Carrier Type

Rejector for Metal Detector

Rejector for X-ray Inspection System

Flipper Type

- Electric
 - Two-Way
 - Non-SV/SSV Series Checkweigher
 - Non-Waterproof
 - Self-Standing
- X-ray Inspection System, Metal Detector

*The speed varies depending on a product to be rejected.

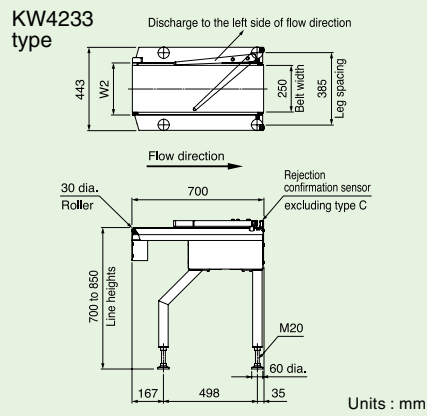
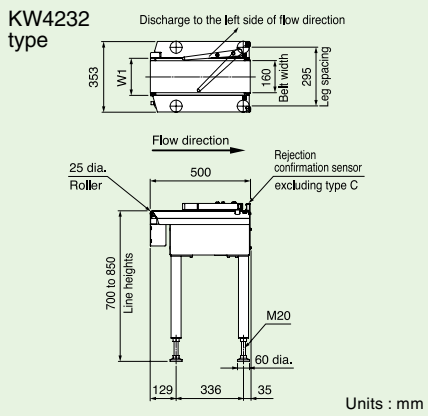
KW4232 type

Maximum product size	Model	KW4232K◇A▼	KW4232L◇A▼	KW4232M◇A▼
	Width	160 mm	130 mm	100 mm
	Length	300 mm		
	Height	200 mm		
	Weight	1.2 kg	0.6 kg	

KW4233 type

Maximum product size	Model	KW4233K◇A▼	KW4233L◇A▼
	Width	250 mm	
	Length	300 mm	
	Height	200 mm	
	Weight	1.2 kg	

External Dimensions (Discharge to the **Left** side of flow direction)



Maximum pass width	Model	W1 (mm)
	KW4232K◇A▼	180
	KW4232L◇A▼	155
	KW4232M◇A▼	120

Maximum pass width	Model	W2 (mm)
	KW4233K◇A▼	280
	KW4233L◇A▼	265

Specifications



Model	KW4232K◇A▼	KW4232L◇A▼	KW4232M◇A▼	KW4233K◇A▼	KW4233L◇A▼
Gate drive system	Electric drive				
Classification	2 (Discharge to the left side of flow direction)				
Maximum product size and weight	Width (mm)	160	130	100	250
	Length (mm)	300			300
	Height (mm)	200			200
	Weight (kg)	1.2	0.6		1.2
Maximum speed (products/min)	180	210	250	160	170
Belt speed (m/min)	15 to 120				
Power requirements	100 Vac to 120 Vac +10% -15% or 200 Vac to 240 Vac +10% -15%, single phase, 50/60 Hz				
Power consumption	190 VA				
Mass	36 kg			40 kg	
Environmental conditions	0°C to 40°C, relative humidity 30% to 85%, non-condensing				
◇ Exterior	F	Painted, IP30 compliance			
	P	Stainless steel (SUS304), IP30 compliance			
▼ Type of SV functions included	A	Rejection Confirmation (pass side), Reject Operation Check, Chute Attachment Check ^{Note 1}			
	B	Rejection Confirmation (pass side) ^{Note 1}			
	C	Without SV function			
Connectable model	X-ray inspection system, Metal detector, Non-SV/SSV series Checkweigher, devices of other manufacturers ^{Note 2}				

Note 1 : Note that the function may not perform depending on the model to be connected. Contact us for details.
 Note 2 : Contact us for connection specifications.

Flipper Type

- Pneumatic
 - Three-Way
 - Checkweigher
 - Waterproof
 - Self-Standing
- X-ray Inspection System, Metal Detector

*The speed varies depending on a product to be rejected.

KRA4102AW

Made to Order

Maximum product size	Width	120 mm
	Length	150 mm
	Height	60 mm
	Weight	0.6 kg

KRA4103AW

Maximum product size	Width	220 mm
	Length	300 mm
	Height	200 mm
	Weight	2 [3] kg

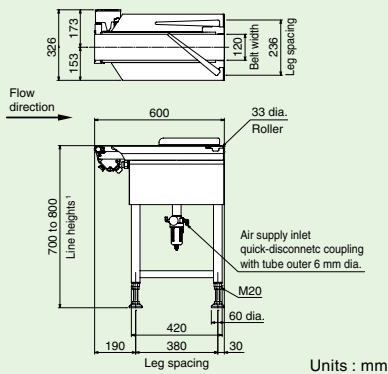
KRA4104AW

Maximum product size	Width	350 mm
	Length	600 mm
	Height	500 mm
	Weight	10 [5] kg

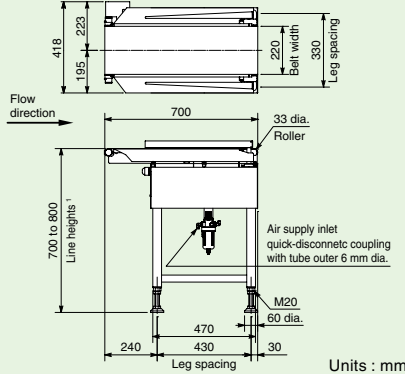


External Dimensions

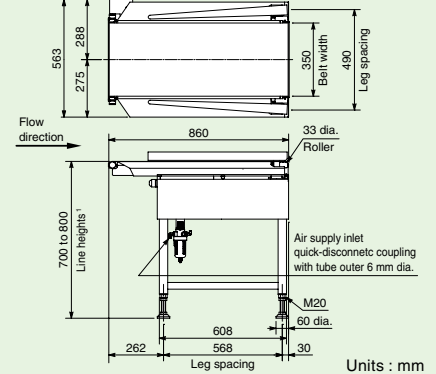
KRA4102AW



KRA4103AW



KRA4104AW



1: 550±50 mm to 1000±50 mm are available as an option.

Specifications



Model	KRA4102AW	Made to Order	KRA4103AW	KRA4104AW
Gate drive system	Pneumatic drive			
Classification	3			
Maximum product size and weight	Width (mm)	120	220	350
	Length (mm)	150	300	600
	Height (mm)	60	200	500
	Weight (kg)	0.6	2 [3] ^{Note 1}	10 [5] ^{Note 1}
Maximum speed (products/min)	200	150 [120] ^{Note 1}	45 [70] ^{Note 1}	45 [70] ^{Note 1}
Belt speed (m/min)	10 to 115		10 to 102 [5 to 77] ^{Note 1}	5 to 49 [5 to 77] ^{Note 1}
Air requirements	0.4 to 0.9 MPa, 4 ℓ /min [A.N.R.]			
Air inlet	Tube having outer diameter of 6 mm			
Power requirements	100 Vac to 120 Vac +10% -15% or 200 Vac to 240 Vac +10% -15%, single phase, 50/60 Hz (Supplied from SV/SSV series, IP series Checkweigher)			
Power consumption	Stationary 70 VA, maximum 150 VA (inrush current 10 A)			
Mass	43 kg		45 kg	70 kg
Environmental conditions	0°C to 40°C, relative humidity 30% to 85%, non-condensing			
Protection class	IP66 compliance			
Exterior	Stainless steel (SUS304) (excluding some parts)			
Connectable model	Checkweigher, X-ray inspection system, Metal detector			

Note 1 : Figures in [] are optional.

Flipper Type
Dropout Type
Up and Out Type
Air Jet Type
Trip Type
Pusher Type
Turning Type
Carrier Type
Rejector for X-ray Inspection System

Dropout Type

Pneumatic **Two-Way** **SV/SSV Series Checkweigher** **Non-Waterproof** **Self-Standing**

*The speed varies depending on a product to be rejected.

KW4610 type

Maximum product size	Model	KW4610A◇B▼	KW4610B◇B▼
	Width	160 mm	
	Length	240 mm	
	Height	95 mm	30 mm
	Weight	3 kg	

KW4624 type

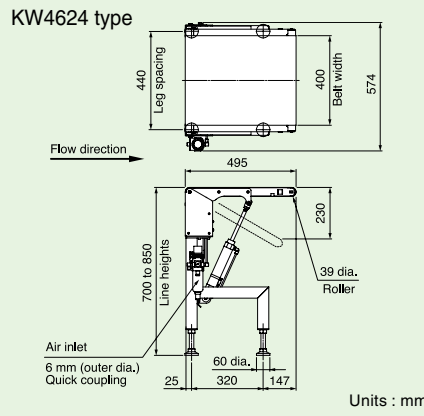
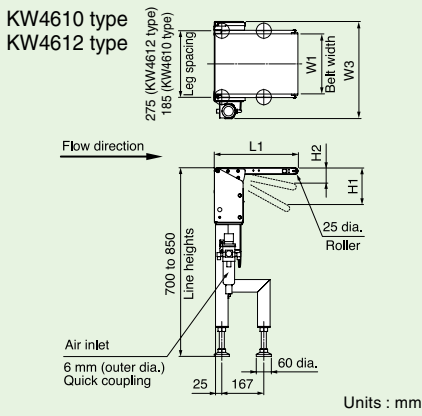
Maximum product size	Model	KW4624A◇B▼	
	Width	400 mm	
	Length	450 mm	
	Height	200 mm	
	Weight	5 kg	

KW4612 type

Maximum product size	Model	KW4612A◇B▼	KW4612B◇B▼
	Width	250 mm	
	Length	300 mm	
	Height	130 mm	45 mm
	Weight	3 kg	



External Dimensions



Model	W1	W3	L1	H1	H2
KW4610A◇B▼	160	308	270	113	—
KW4610B◇B▼	160	308	270	—	47
KW4612A◇B▼	250	398	345	147	—
KW4612B◇B▼	250	398	345	—	62

Specifications

Model	KW4610A◇B▼	KW4610B◇B▼	KW4612A◇B▼	KW4612B◇B▼	KW4624A◇B▼	
Gate stroke	Standard		Stroke 1/2		Standard	
Classification	2					
Maximum product size and weight	Width (mm)	160		250		
	Length (mm)	240		300		
	Height (mm) ^{Note 3}	95	30	130	45	200
	Weight (kg)	3		5		
Maximum speed (products/min)	100	250	100	250	50	
Belt speed (m/min)	15 to 120					
Air requirements ^{Note 1}	0.5 to 0.9 MPa					
	0.2 ℓ [A.N.R.]	0.1 ℓ [A.N.R.]	0.2 ℓ [A.N.R.]	0.1 ℓ [A.N.R.]	1.3 ℓ [A.N.R.]	
Air inlet	Tube having outer diameter of 6 mm					
Power requirements	Supplied from SV/SSV series Checkweigher					
Power consumption	90 VA					
Mass ^{Note 2}	20 [16] kg		23 [18] kg		38 [32] kg	
Environmental conditions	0°C to 40°C, relative humidity 30% to 85%, non-condensing					
◇ Exterior	F	Painted, IP30 compliance				
	P	Stainless steel (SUS304), IP30 compliance				
▼ Type of SV functions included	A	Rejection Confirmation (pass side), Reject Operation Check, Chute Attachment Check				
	B	Rejection Confirmation (pass side)				
	C	Without SV function				
Mounting method	Self-standing					
Connectable model	SV/SSV series Checkweigher					

Note 1 : Maximum capacity per rejection operation.
 Note 2 : The value in [] is for models without the SV function (model ends in C).
 Note 3 : Varies with type of downstream device.

Dropout Type

Pneumatic **Two-Way** **SV/SSV Series Checkweigher** **Non-Waterproof** **Integrated**

*The speed varies depending on a product to be rejected.

KW4610 type

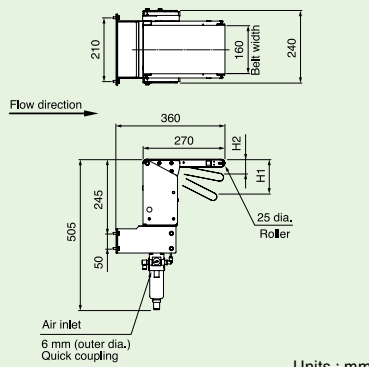
Maximum product size	Model	KW4610A◇C▼	KW4610B◇C▼
	Width	160 mm	
	Length	240 mm	
	Height	95 mm	30 mm
	Weight	3 kg	

KW4612 type

Maximum product size	Model	KW4612A◇C▼	KW4612B◇C▼
	Width	250 mm	
	Length	300 mm	
	Height	130 mm	45 mm
	Weight	3 kg	

External Dimensions

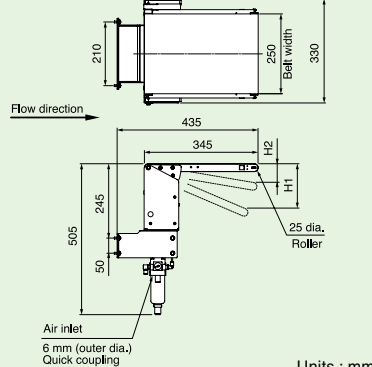
KW4610 type



Units : mm

Model	H1	H2
KW4610A◇C▼	113	—
KW4610B◇C▼	—	47

KW4612 type



Units : mm

Model	H1	H2
KW4612A◇C▼	147	—
KW4612B◇C▼	—	62



Specifications

Model	KW4610A◇C▼	KW4610B◇C▼	KW4612A◇C▼	KW4612B◇C▼	
Gate stroke	Standard	Stroke 1/2	Standard	Stroke 1/2	
Classification	2				
Maximum product size and weight	Width (mm)	160	250		
	Length (mm)	240	300		
	Height (mm) ^{Note 4}	95	30	130	45
	Weight (kg)	3			
Maximum speed (products/min)	100	250	100	250	
Belt speed (m/min)	15 to 120				
Air requirements ^{Note 1}	0.5 to 0.9 MPa				
	0.2 l [A.N.R.]	0.1 l [A.N.R.]	0.2 l [A.N.R.]	0.1 l [A.N.R.]	
Air inlet	Tube having outer diameter of 6 mm				
Power requirements	Supplied from SV/SSV series Checkweigher				
Power consumption	90 VA				
Mass ^{Note 2}	14 [10] kg		17 [12] kg		
Environmental conditions	0°C to 40°C, relative humidity 30% to 85%, non-condensing				
◇ Exterior	F	Painted, IP30 compliance			
	P	Stainless steel (SUS304), IP30 compliance			
▼ Type of SV functions included	A	Rejection Confirmation (pass side), Reject Operation Check, Chute Attachment Check			
	B	Rejection Confirmation (pass side)			
	C	Without SV function			
Mounting method	Mounted on SV/SSV series Checkweigher ^{Note 3}				
Connectable model	SV/SSV series Checkweigher				

Note 1 : Maximum capacity per rejection operation.

Note 2 : The value in [] is for models without the SV function (model ends in C).

Note 3 : Cannot be mounted on checkweigher with metal detector. Cannot be mounted on checkweighers with line height of under 600±50 mm.

Note 4 : Varies with type of downstream device.

Dropout Type

Pneumatic **Two-Way** **Non-SV/SSV Series Checkweigher** **Non-Waterproof** **Self-Standing**
X-ray Inspection System, Metal Detector

*The speed varies depending on a product to be rejected.

KW4610 type

Maximum product size	Model	KW4610A◇A▼	KW4610B◇A▼
	Width	160 mm	
	Length	240 mm	
	Height	95 mm	30 mm
	Weight	3 kg	

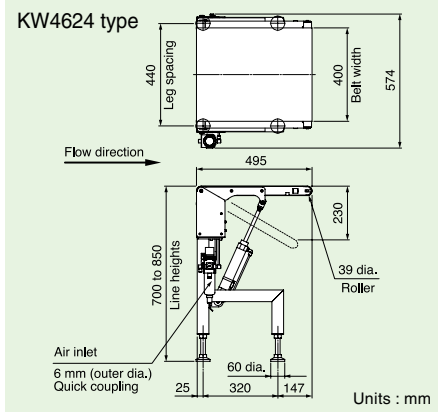
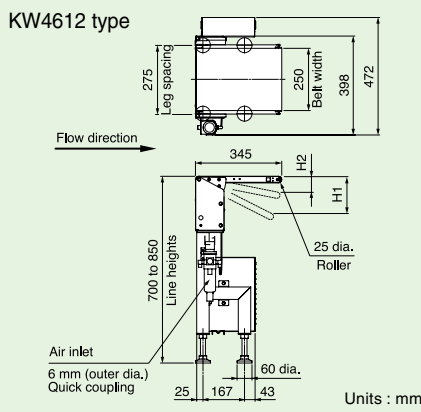
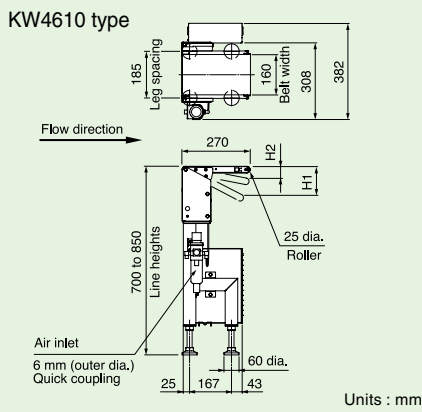
KW4624 type

Maximum product size	Model	KW4624A◇A▼	
	Width	400 mm	
	Length	450 mm	
	Height	200 mm	
	Weight	5 kg	

KW4612 type

Maximum product size	Model	KW4612A◇A▼	KW4612B◇A▼
	Width	250 mm	
	Length	300 mm	
	Height	130 mm	45 mm
	Weight	3 kg	

External Dimensions



Model	H1	H2
KW4610A◇A▼	113	—
KW4610B◇A▼	—	47

Model	H1	H2
KW4612A◇A▼	147	—
KW4612B◇A▼	—	62



Specifications

Model	KW4610A◇A▼	KW4610B◇A▼	KW4612A◇A▼	KW4612B◇A▼	KW4624A◇A▼	
Gate stroke	Standard	Stroke 1/2	Standard	Stroke 1/2	Standard	
Classification	2					
Maximum product size and weight	Width (mm)	160	250	400	400	
	Length (mm)	240	300	450	450	
	Height (mm) ^{Note 5}	95	30	130	45	200
	Weight (kg)	3			5	5
Maximum speed (products/min)	100	250	100	250	50	
Belt speed (m/min)	15 to 120					
Air requirements ^{Note 1}	0.5 to 0.9 MPa					
	0.2 ℓ [A.N.R.]	0.1 ℓ [A.N.R.]	0.2 ℓ [A.N.R.]	0.1 ℓ [A.N.R.]	1.3 ℓ [A.N.R.]	
Air inlet	Tube having outer diameter of 6 mm					
Power requirements	100 Vac to 120 Vac +10% -15% or 200 Vac to 240 Vac +10% -15%, single phase, 50/60 Hz					
Power consumption	90 VA					
Mass ^{Note 2}	22 [18] kg		25 [20] kg		40 [34] kg	
Environmental conditions	0°C to 40°C, relative humidity 30% to 85%, non-condensing					
◇ Exterior	F	Painted, IP30 compliance				
	P	Stainless steel (SUS304), IP30 compliance				
▼ Type of SV functions included	A	Rejection Confirmation (pass side), Reject Operation Check, Chute Attachment Check ^{Note 3}				
	B	Rejection Confirmation (pass side) ^{Note 3}				
	C	Without SV function				
Connectable model	X-ray inspection system, Metal detector, Non-SV/SSV series Checkweigher, devices of other manufacturers ^{Note 4}					

Note 1 : Maximum capacity per rejection operation.
 Note 2 : The value in [] is for models without the SV function (model ends in C).
 Note 3 : Note that the function may not perform depending on the model to be connected. Contact us for details.
 Note 4 : Contact us for connection specifications.
 Note 5 : Varies with type of downstream device.

Dropout Type

Pneumatic
Two-Way
SV/SSV Series Checkweigher
Waterproof
Integrated

*The speed varies depending on a product to be rejected.

KW4671BW

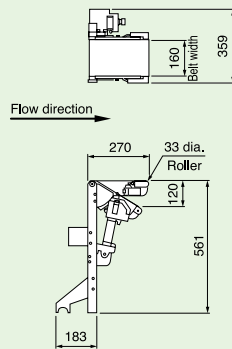
Maximum product size	Width	160 mm
	Length	240 mm
	Height	100 mm
	Weight	1.2 kg

KW4672BW

Maximum product size	Width	230 mm
	Length	300 mm
	Height	130 mm
	Weight	3 kg

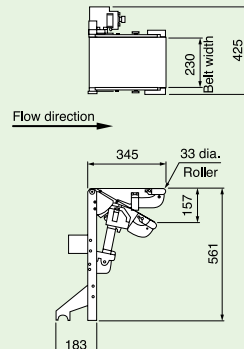
External Dimensions

KW4671BW



Units : mm

KW4672BW



Units : mm

Specifications



Model	KW4671BW	KW4672BW
Classification	2	
Maximum product size and weight	Width (mm)	230
	Length (mm)	300
	Height (mm) ^{Note 2}	130
	Weight (kg)	3
Maximum speed (products/min)	80	70
Belt speed (m/min)	7 to 36	
Air requirements	0.4 to 0.9 MPa, 30 ℓ /min [A.N.R.]	
Air inlet	Tube having outer diameter of 6 mm	
Power requirements	Supplied from SV/SSV series Checkweigher	
Power consumption	200 VA	
Mass	16 kg	18 kg
Environmental conditions	0°C to 40°C, relative humidity 30% to 85%, non-condensing	
Protection class	IP66 compliance	
Exterior	Stainless steel (SUS304) (excluding some parts)	
Mounting method ^{Note 1}	Integrated	
Connectable model	SV/SSV series Checkweigher	

Note 1 : Cannot be mounted on checkweigher with metal detector.
 Note 2 : Varies with type of downstream device.

Dropout Type

Pneumatic **Two-Way** **SV/SSV Series Checkweigher** **Waterproof** **Self-Standing**

*The speed varies depending on a product to be rejected.

KW4671CW

Maximum product size	Width	160 mm
	Length	240 mm
	Height	100 mm
	Weight	1.2 kg

KW4672CW

Maximum product size	Width	230 mm
	Length	300 mm
	Height	130 mm
	Weight	3 kg

KW4676CW

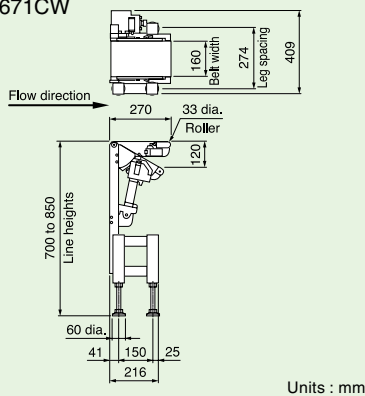
Maximum product size	Width	350 mm
	Length	450 mm
	Height	210 mm
	Weight	3 kg



KW4672CW

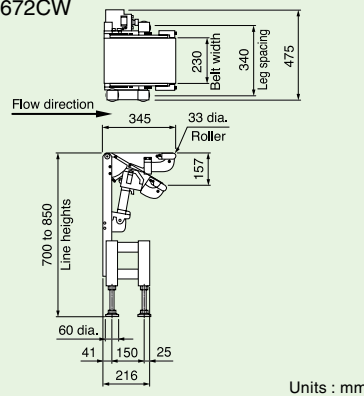
External Dimensions

KW4671CW



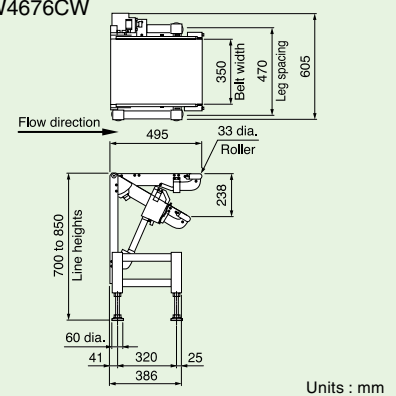
Units : mm

KW4672CW



Units : mm

KW4676CW



Units : mm

Specifications



Model	KW4671CW	KW4672CW	KW4676CW
Classification	2		
Maximum product size and weight	Width (mm)	230	350
	Length (mm)	300	450
	Height (mm) ^{Note 1}	130	210
	Weight (kg)	1.2	3
Maximum speed (products/min)	80	70	30
Belt speed (m/min)	7 to 36		
Air requirements	0.4 to 0.9 MPa, 30 ℓ /min [A.N.R.]		
Air inlet	Tube having outer diameter of 6 mm		
Power requirements	Supplied from SV/SSV series Checkweigher		
Power consumption	200 VA		
Mass	23 kg	25 kg	32 kg
Environmental conditions	0°C to 40°C, relative humidity 30% to 85%, non-condensing		
Protection class	IP66 compliance		
Exterior	Stainless steel (SUS304) (excluding some parts)		
Mounting method	Self-standing		
Connectable model	SV/SSV series Checkweigher		

Note 1 : Varies with type of downstream device.

Dropout Type

- Pneumatic
 - Two-Way
 - Non-SV/SSV Series Checkweigher
 - Waterproof
 - Self-Standing
- X-ray Inspection System, Metal Detector

*The speed varies depending on a product to be rejected.

KRA4671AW

Maximum product size	Width	160 mm
	Length	240 mm
	Height	100 mm
	Weight	1.2 kg

KRA4676AW

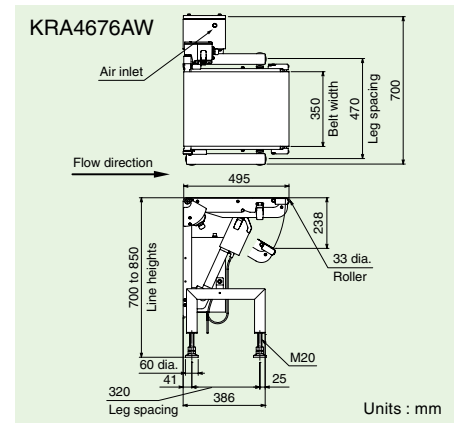
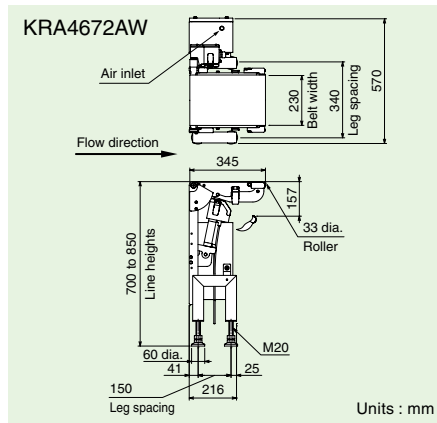
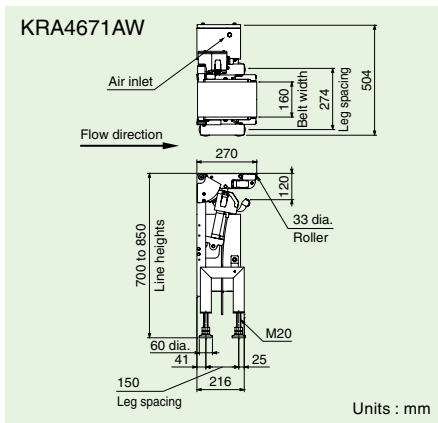
Maximum product size	Width	350 mm
	Length	450 mm
	Height	210 mm
	Weight	3 kg

KRA4672AW

Maximum product size	Width	230 mm
	Length	300 mm
	Height	130 mm
	Weight	3 kg



External Dimensions



Specifications



Model	KRA4671AW	KRA4672AW	KRA4676AW	
Classification	2			
Maximum product size and weight	Width (mm)	160	230	350
	Length (mm)	240	300	450
	Height (mm) ^{Note 2}	100	130	210
	Weight (kg)	1.2	3	
Maximum speed (products/min)	80	70	30	
Belt speed (m/min)	7 to 36			
Air requirements	0.4 to 0.9 Mpa			
	0.4 ℓ /cycle [A.N.R.]	0.4 ℓ /cycle [A.N.R.]	1.1 ℓ /cycle [A.N.R.]	
Air inlet	Tube having outer diameter of 6 mm			
Power requirements	100 Vac to 120 Vac +10% -15% or 200 Vac to 240 Vac +10% -15%, single phase, 50/60 Hz			
Power consumption	Stationary 70 VA, maximum 150 VA (inrush current 10 A)			
Mass	27 kg	29 kg	37 kg	
Environmental conditions	0°C to 40°C, relative humidity 30% to 85%, non-condensing			
Protection class	IP66 compliance			
Exterior	Stainless steel (SUS304) (excluding some parts)			
Mounting method	Self-standing			
Connectable model	X-ray inspection system, Metal detector, Non-SV/SSV series Checkweigher, devices of other manufacturers ^{Note 1}			

Note 1 : Contact us for connection specifications.
 Note 2 : Varies with type of downstream device.

Up and Out Type

- Pneumatic
 - Three-Way
 - SV/SSV Series Checkweigher
 - Non-Waterproof
 - Self-Standing
- Metal Detector

*The speed varies depending on a product to be rejected.

KW4603 type

Maximum product size	Model	KW4603M◇A▼
	Width	100 mm
	Length	80 mm
	Height	15 mm
	Weight	0.1 kg

KW4612 type

Maximum product size	Model	KW4612M◇A▼
	Width	250 mm
	Length	130 mm
	Height	30 mm
	Weight	3 kg

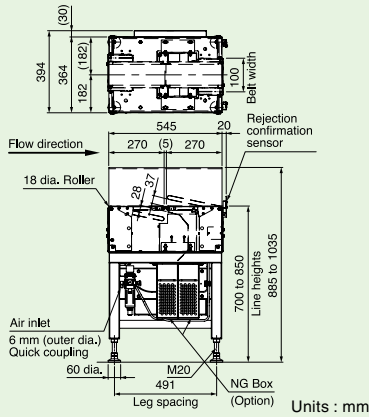
KW4610 type

Maximum product size	Model	KW4610M◇A▼
	Width	160 mm
	Length	80 mm
	Height	15 mm
	Weight	3 kg

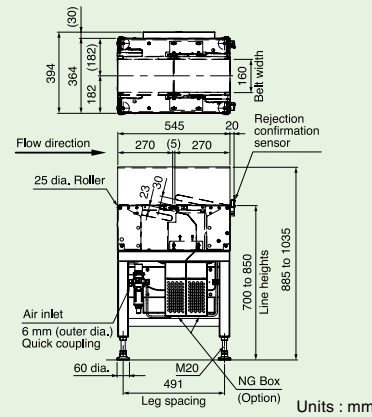


External Dimensions

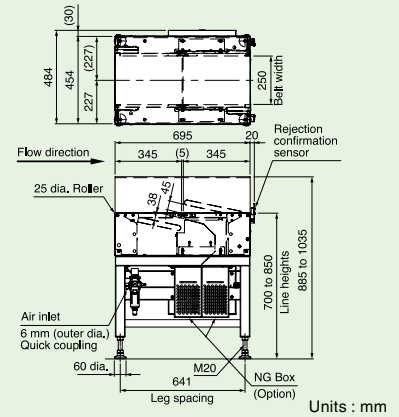
KW4603M◇A▼



KW4610M◇A▼



KW4612M◇A▼



Specifications



Model	KW4603M◇A▼		KW4610M◇A▼		KW4612M◇A▼		
Classification			3				
Maximum product size and weight	Width (mm)	100	160		250		
	Length (mm)	80	80		130		
	Height (mm)	15	15		30		
	Weight (kg)	0.1			3		
Maximum speed (products/min)	400		250		250		
Belt speed (m/min)			15 to 120				
Air requirements ^{Note 1}			0.5 to 0.9 MPa, 0.2 ℓ [A.N.R.]				
Air inlet			Tube having outer diameter of 6 mm				
Power requirements			100 Vac to 120 Vac +10% -15% or 200 Vac to 240 Vac +10% -15%, single phase, 50/60 Hz				
Power consumption	110 VA		160 VA				
Mass	44 kg		48 kg		58 kg		
Environmental conditions			0°C to 40°C, relative humidity 30% to 85%, non-condensing				
◇ Exterior	F	Painted, IP30 compliance					
	P	Stainless steel (SUS304), IP30 compliance					
▼ Type of SV functions included	A	Rejection Confirmation (pass side), Reject Operation Check, Chute Attachment Check					
	B	Rejection Confirmation (pass side)					
	C	Without SV function					

Note 1 : Maximum capacity per rejection operation.

Up and Out Type

- Pneumatic
 - Two-Way
 - SV/SSV Series Checkweigher
 - Non-Waterproof
 - Self-Standing
- X-ray Inspection System, Metal Detector

*The speed varies depending on a product to be rejected.

KW4610 type

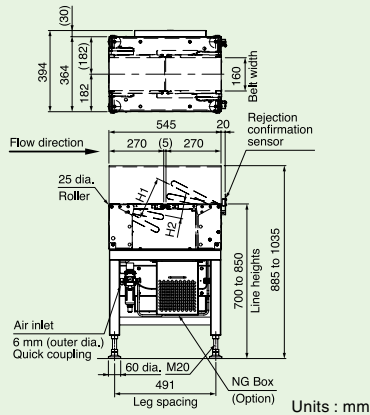
Maximum product size	Model	KW4610J◇A▼	KW4610K◇A▼
	Width	160 mm	
	Length	150 (240) mm	120 (240) mm
	Height	140 mm	60 mm
	Weight	3 kg	

KW4612 type

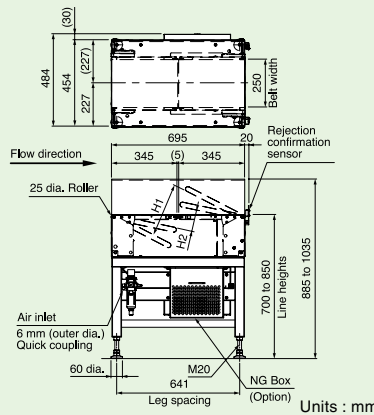
Maximum product size	Model	KW4612J◇A▼	KW4612K◇A▼
	Width	250 mm	
	Length	220 (300) mm	200 (300) mm
	Height	180 mm	100 mm
	Weight	3 kg	

External Dimensions

KW4610J◇A▼ / KW4610K◇A▼



KW4612J◇A▼ / KW4612K◇A▼



Model	H1	H2
KW4610J◇A▼	210	—
KW4610K◇A▼	—	80

Model	H1	H2
KW4612J◇A▼	280	—
KW4612K◇A▼	—	110



Specifications

Model	KW4610J◇A▼	KW4610K◇A▼	KW4612J◇A▼	KW4612K◇A▼	
Gate stroke	Standard	Stroke 1/2	Standard	Stroke 1/2	
Classification			2		
Maximum product size and weight	Width (mm)	160		250	
	Length (mm) ^{Note 2}	150 [240]	120 [240]	220 [300]	200 [300]
	Height (mm)	140	60	180	100
	Weight (kg)	3			
Maximum speed (products/min)	100	250	100	250	
Belt speed (m/min)	15 to 120				
Air requirements ^{Note 1}	0.5 to 0.9 MPa, 0.4 ℓ [A.N.R.]	0.5 to 0.9 MPa, 0.2 ℓ [A.N.R.]	0.5 to 0.9 MPa, 0.4 ℓ [A.N.R.]	0.5 to 0.9 MPa, 0.2 ℓ [A.N.R.]	
Air inlet	Tube having outer diameter of 6 mm				
Power requirements	100 Vac to 120 Vac +10% -15% or 200 Vac to 240 Vac +10% -15%, single phase, 50/60 Hz				
Power consumption	160 VA				
Mass	44 kg		52 kg		
Environmental conditions	0°C to 40°C, relative humidity 30% to 85%, non-condensing				
◇ Exterior	F	Painted, IP30 compliance			
	P	Stainless steel (SUS304), IP30 compliance			
▼ Type of SV functions included	A	Rejection Confirmation (pass side), Reject Operation Check, Chute Attachment Check			
	B	Rejection Confirmation (pass side)			
	C	Without SV function			

Note 1 : Maximum capacity per rejection operation.
 Note 2 : Figures in [] are for string packages.

Up and Out Type Made to Order

- Pneumatic
- Three-Way
- SV/SSV Series Checkweigher
- Non-Waterproof
- Self-Standing
- Metal Detector

*The speed varies depending on a product to be rejected.

KW4639 type

Maximum product size	Model	KW4639LFAC	KW4639LPAC
	Width	250 mm	
	Length	250 mm	
	Height	30 mm	
	Weight	1.2 kg	

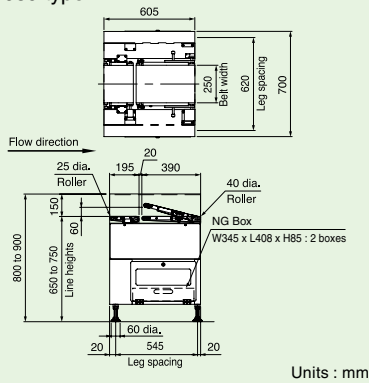


KW4639LPAC

● Lockable NG product box is option.

External Dimensions

KW4639 type



Specifications

Model	KW4639LFAC	KW4639LPAC
Classification	3	
Maximum product size and weight	Width (mm)	250
	Length (mm)	250
	Height (mm)	30
	Weight (g)	1.2
Maximum speed (products/min)	180	
Belt speed (m/min)	20 to 70	
Air requirements ^{Note 1}	0.5 to 0.8 MPa, 0.6 ℓ /min [A.N.R.]	
Air inlet	Tube having outer diameter of 6 mm	
Power requirements	100 Vac to 120 Vac +10% -15% or 200 Vac to 240 Vac +10% -15%, single phase, 50/60 Hz	
Power consumption	150 VA	
Mass	65 kg	
Environmental conditions	0°C to 40°C, relative humidity 30% to 85%, non-condensing	
Protection class	IP30 compliance	IP30 compliance
Exterior	Painted	Stainless steel (SUS304)

Note 1 : Maximum capacity per rejection operation.

Note : Products 20 mm width or less / 105 mm length or less / 5 mm high or less cannot be rejected.

Air Jet Type

Pneumatic **Two-Way** **SV/SSV Series Checkweigher (h,f series)** **Non-Waterproof** **Integrated**

*The speed varies depending on a product to be rejected.

KW4803B type

Maximum product size	Model	KW4803BF	KW4803BP
	Width	100 mm	
	Length	230 mm	
	Height	160 mm	
	Weight	300 g	

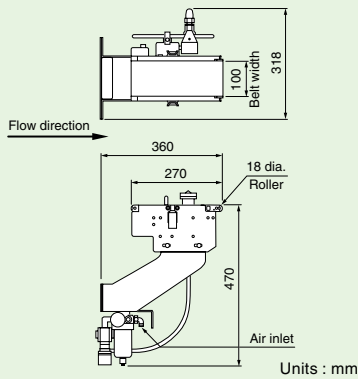
KW4803C type

Maximum product size	Model	KW4803CF	KW4803CP
	Width	50 mm	
	Length	65 mm	
	Height	30 mm	
	Weight	30 g	

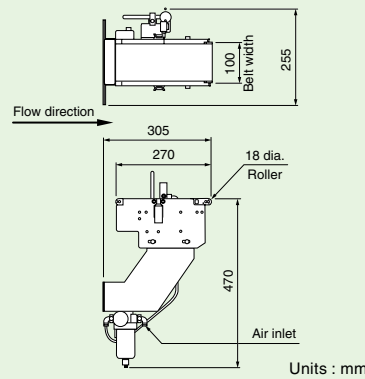


External Dimensions

KW4803BF / KW4803BP



KW4803CF / KW4803CP



Specifications



Model	KW4803BF	KW4803BP	KW4803CF	KW4803CP
Classification	2			
Maximum product size and weight	Width (mm)	100		50
	Length (mm)	230		65
	Height (mm)	160		30
	Weight (g)	300 ^{Note 1}		30
Maximum speed (products/min)	400			600
Belt speed (m/min)	15 to 120			
Air requirements	0.5 to 0.9 MPa, 16 ℓ /min [A.N.R.]			
Air inlet	Tube having outer diameter of 10 mm			
Power requirements	Supplied from SV/SSV series Checkweigher			
Power consumption	130VA			140VA
Mass	8 kg			
Environmental conditions	0°C to 40°C, relative humidity 30% to 85%, non-condensing			
Protection class	IP30 compliance			
Exterior	Painted	Stainless steel (SUS304)	Painted	Stainless steel (SUS304)

Note 1 : The maximum product weight at a belt speed of 75 to 120 m/min is 100 g.
 Note : Self-standing type is available as an option.

Flipper Type
 Dropout Type
 Up and Out Type
 Air Jet Type
 Trip Type
 Pusher Type
 Turning Type
 Carrier Type
 Rejector for Metal Detector
 Rejector for X-ray Inspection System

Air Jet Type

Pneumatic **Two-Way** **SV/SSV Series Checkweigher (h,f series)** **Non-Waterproof** **Integrated**

*The speed varies depending on a product to be rejected.

KW4805B type

Maximum product size	Model	KW4805BF	KW4805BP
	Width	160 mm	
	Length	230 mm	
	Height	160 mm	
	Weight	300 g	

KW4812B type

Maximum product size	Model	KW4812BF	KW4812BP
	Width	250 mm	
	Length	320 mm	
	Height	160 mm	
	Weight	300 g	

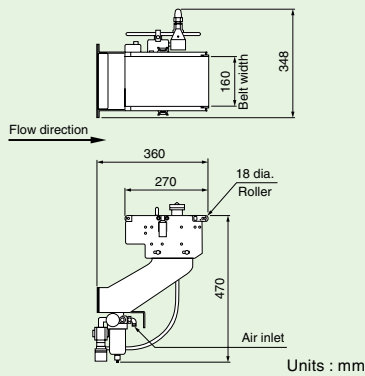
KW4806B type

Maximum product size	Model	KW4806BF	KW4806BP
	Width	160 mm	
	Length	320 mm	
	Height	160 mm	
	Weight	300 g	

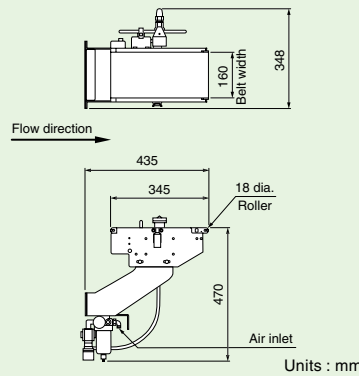


External Dimensions

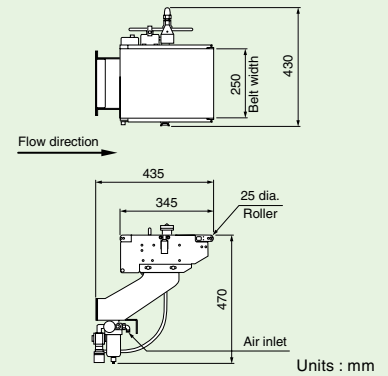
KW4805BF / KW4805BP



KW4806BF / KW4806BP



KW4812BF / KW4812BP



Specifications



Model	KW4805BF	KW4805BP	KW4806BF	KW4806BP	KW4812BF	KW4812BP	
Classification ^{Note1}						2 [3]	
Maximum product size and weight	Width (mm)	160		160		250	
	Length (mm)	230		320		320	
	Height (mm)	160		160		160	
	Weight (g) ^{Note2}						300
Maximum speed (products/min)							400
Belt speed (m/min)							15 to 120
Air requirements							0.5 to 0.9 MPa, 16 ℓ /min [A.N.R.]
Air inlet							Tube having outer diameter of 10 mm
Power requirements							Supplied from SV/SSV series Checkweigher
Power consumption							130 VA
Mass							9 kg
Environmental conditions							0°C to 40°C, relative humidity 30% to 85%, non-condensing
Protection class							IP30 compliance
Exterior	Painted	Stainless steel (SUS304)	Painted	Stainless steel (SUS304)	Painted	Stainless steel (SUS304)	

Note 1 : Available as an option.
 Note 2 : The maximum product weight at a belt speed of 75 to 120 m/min is 100 g.
 Note : Self-standing type is available as an option.

Air Jet Type

Pneumatic Two-Way SV/SSV Series Checkweigher (i series) Waterproof Integrated

*The speed varies depending on a product to be rejected.

KW4866BW

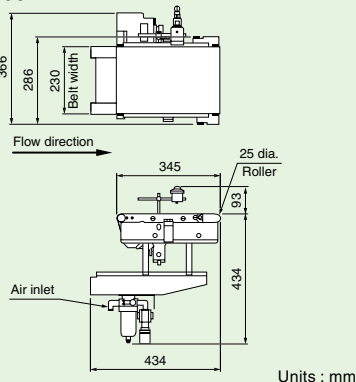
Maximum product size	Width	230 mm
	Length	300 mm
	Height	160 mm
	Weight	300 g



KW4866BW

External Dimensions

KW4866BW



Specifications



Model	KW4866BW	
Classification ^{Note1}	2 [3]	
Maximum product size and weight	Width (mm)	230
	Length (mm)	300
	Height (mm)	160
	Weight (g) ^{Note2}	300
Maximum speed (products/min)	220	
Belt speed (m/min)	9 to 91	
Air requirements	0.5 to 0.9 MPa, 16 ℓ /min [A.N.R.]	
Air inlet	Tube having outer diameter of 10 mm	
Power requirements	Supplied from SV/SSV series Checkweigher	
Power consumption	200 VA	
Mass	16 kg	
Environmental conditions	0°C to 40°C, relative humidity 30% to 85%, non-condensing	
Protection class	IP66 compliance	
Exterior	Stainless steel (SUS304)	

Note 1 : Available as an option.

Note 2 : The maximum product weight at a belt speed of 75 to 120 m/min is 100 g.

Note : Connection to x-ray inspection system by modification to self-standing type or changing drive system.

Trip Type

Made to Order

- Electric
- Three-Way
- SV/SSV Series Checkweigher
- Non-Waterproof
- Self-Standing
- X-ray Inspection System

*The speed varies depending on a product to be rejected.

K428A2

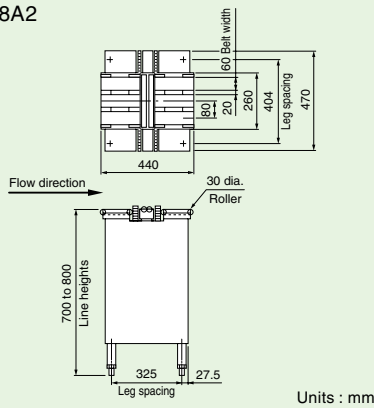
Maximum product size	Width	220 mm
	Length	330 mm
	Height	300 mm
	Weight	1.2 kg



K428A2

External Dimensions

K428A2



Specifications

Model	K428A2	
Classification	3	
Maximum product size and weight	Width (mm) ^{Note 1}	220
	Length (mm)	330
	Height (mm)	300
	Weight (kg)	1.2
Maximum speed (products/min)	120	
Belt speed (m/min) ^{Note 2}	50.4	
Power requirements	100 Vac ±10%, single phase, 50/60 Hz	
Power consumption	120 VA	
Mass	55 kg	
Environmental conditions	0°C to 40°C, relative humidity 30% to 85%, non-condensing	
Protection class	IP30 compliance	
Exterior	Painted	

Note 1 : Products 150 mm wide or less cannot be rejected.
 Note 2 : 27 m/min and 37.8 m/min are also available as an option.

Pusher Type

Pneumatic **Two-Way** **SV/SSV Series Checkweigher (h,f series)** **Non-Waterproof** **Integrated**

*The speed varies depending on a product to be rejected.

KW4503B type

Maximum product size	Model	KW4503BF	KW4503BP
	Width	100 mm	
	Length	230 mm	
	Height	160 mm	
	Weight	0.6 kg	

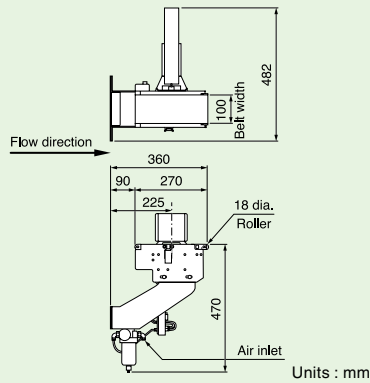
KW4505B type

Maximum product size	Model	KW4505BF	KW4505BP
	Width	160 mm	
	Length	230 mm	
	Height	160 mm	
	Weight	0.6 kg	

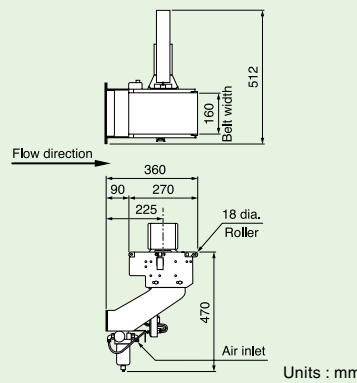


External Dimensions

KW4503BF / KW4503BP



KW4505BF / KW4505BP



Specifications



Model	KW4503BF	KW4503BP	KW4505BF	KW4505BP
Classification	2			
Maximum product size and weight	Width (mm)	100		160
	Length (mm)	230		230
	Height (mm) ^{Note 1}	160		160
	Weight (kg)	0.6		0.6
Maximum speed (products/min)	150		150	
Belt speed (m/min)	15 to 120			
Air requirements	0.5 to 0.9 MPa, 10 ℓ /min [A.N.R.]			
Air inlet	Tube having outer diameter of 6 mm			
Power requirements	Supplied from SV/SSV series Checkweigher			
Power consumption	120 VA			
Mass	10 kg			11 kg
Environmental conditions	0°C to 40°C, relative humidity 30% to 85%, non-condensing			
Protection class	IP30 compliance			
Exterior	Painted	Stainless steel (SUS304)	Painted	Stainless steel (SUS304)

Note 1 : Products 10 mm high or less cannot be rejected.
 Note : Self-standing type is available as an option.

Flipper Type
Dropout Type
Up and Out Type
Air Jet Type
Trip Type
Pusher Type
Turning Type
Carrier Type
Rejector for Metal Detector
Rejector for X-ray Inspection System

Pusher Type

Pneumatic **Two-Way** **SV/SSV Series Checkweigher (h,f series)** **Non-Waterproof** **Integrated**

*The speed varies depending on a product to be rejected.

KW4506B type

Maximum product size	Model	KW4506BF	KW4506BP
	Width	160 mm	
	Length	320 mm	
	Height	160 mm	
	Weight	0.6 kg	

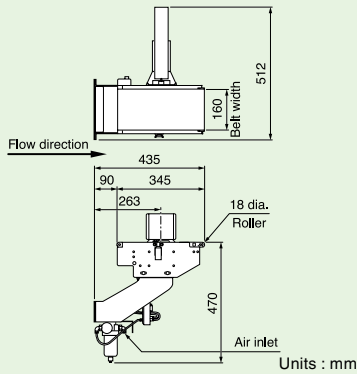
KW4512B type

Maximum product size	Model	KW4512BF	KW4512BP
	Width	250 mm	
	Length	320 mm	
	Height	160 mm	
	Weight	1.2 kg	

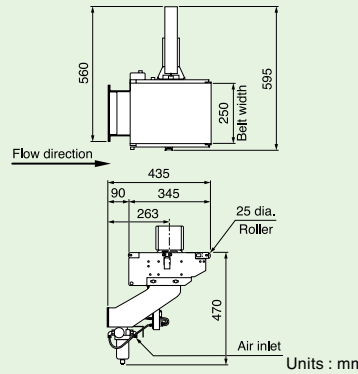


External Dimensions

KW4506BF / KW4506BP



KW4512BF / KW4512BP



Specifications



Model	KW4506BF	KW4506BP	KW4512BF	KW4512BP
Classification	2			
Maximum product size and weight	Width (mm)	160		250 ^{Note 2}
	Length (mm)	320		320
	Height (mm)	160 ^{Note 1}		160 ^{Note 2}
	Weight (kg)	0.6		1.2
Maximum speed (products/min)	150		80	
Belt speed (m/min)	15 to 120			
Air requirements	0.5 to 0.9 MPa, 10 ℓ /min [A.N.R.]			
Air inlet	Tube having outer diameter of 6 mm			
Power requirements	Supplied from SV/SSV series Checkweigher			
Power consumption	120 VA			
Mass	11 kg			14 kg
Environmental conditions	0°C to 40°C, relative humidity 30% to 85%, non-condensing			
Protection class	IP30 compliance			
Exterior	Painted	Stainless steel (SUS304)	Painted	Stainless steel (SUS304)

Note 1 : Products 10 mm high or less cannot be rejected.
 Note 2 : Products 80 mm width or less/10 mm high or less cannot be rejected.
 Note : Self-standing type is available as an option.

Pusher Type

- Pneumatic
 - Two-Way
 - SV/SSV Series Checkweigher
 - Non-Waterproof
 - Self-Standing
- X-ray Inspection System, Metal Detector

*The speed varies depending on a product to be rejected.

KW451A

Maximum product size	Width	400 mm
	Length	600 mm
	Height	600 mm
	Weight	50 kg

KRA4504AF

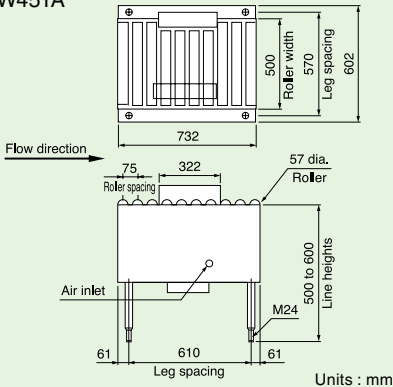
Maximum product size	Width	600 mm
	Length	900 mm
	Height	600 mm
	Weight	60 kg



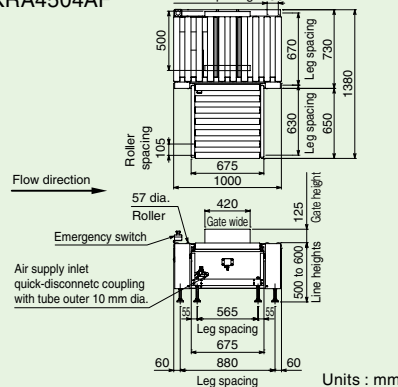
KW451A

External Dimensions

KW451A



KRA4504AF



KRA4504AF

Specifications

Model	KW451A	KRA4504AF
Classification	2	
Maximum product size and weight	Width (mm)	600 <small>Note 2</small>
	Length (mm)	900 <small>Note 2</small>
	Height (mm)	600
	Weight (kg)	60
Maximum speed (products/min)	40	30
Belt speed (m/min)	33 (50Hz), 39.6 (60Hz) <small>Note 3</small>	15 to 40
Air requirements <small>Note 4</small>	0.5 to 0.9 MPa, 9 ℓ [A.N.R.]	0.5 to 0.9 MPa, 12 ℓ [A.N.R.]
Air inlet	Tube having outer diameter of 10 mm	
Power requirements	100 Vac ±10%, single phase, 50/60 Hz	200 Vac to 240 Vac +10% -15% [100 Vac to 120 Vac +10% -15% are also available as an option], single phase, 50/60 Hz
Power consumption	550 VA	250 VA (inrush current 10 A)
Mass	100 kg	100 kg
Environmental conditions	0°C to 40°C, relative humidity 30% to 85%, non-condensing	
Protection class	IP30 compliance	
Exterior	Painted	

Note 1 : Products 150 mm wide or less / 150 mm long or less cannot be rejected.
 Note 2 : Products 200 mm wide or less / 300 mm long or less cannot be rejected.
 Note 3 : 16.5 m/min, 20 m/min, and 25 m/min (50 Hz), 20 m/min, 24 m/min, and 30 m/min (60 Hz) are also available as an option.
 Note 4 : Maximum capacity per rejection operation.
 Note : Bagged products are not supported.

Flipper Type
 Dropout Type
 Up and Out Type
 Air Jet Type
 Trip Type
Pusher Type
 Turning Type
 Carrier Type
 Rejector for Metal Detector
 Rejector for X-ray Inspection System

Pusher Type

Pneumatic **Two-Way** **SV/SSV Series Checkweigher** **Waterproof** **Self-Standing**

X-ray Inspection System, Metal Detector

*The speed varies depending on a product to be rejected.

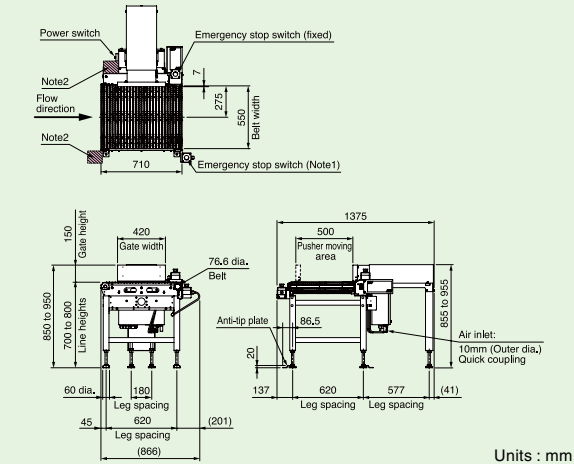
KW4501 type

Maximum product size	Model	KW4501LWAC	KW4501MWAC
	Width	540 mm	540 mm
	Length	600 mm	800 mm
	Height	600 mm	600 mm
	Weight	35 kg	

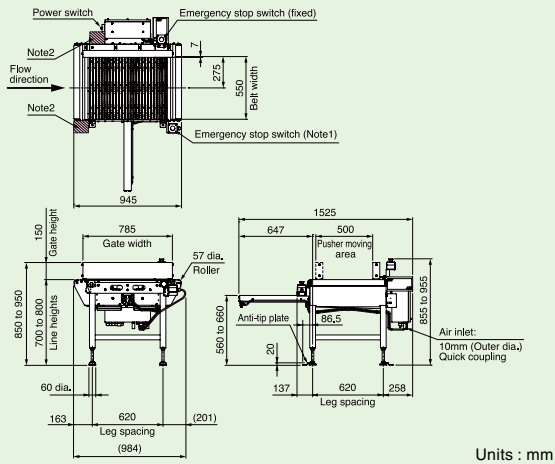


External Dimensions

KW4501LWAC



KW4501MWAC



Note 1 : The mounting positions of the emergency stop switch can be changed.
 Note 2 : Alternative positions of the emergency stop switch.

Specifications

	Rear cylinder type	Discharge side cylinder type
Model	KW4501LWAC	KW4501MWAC
Classification	2	
Maximum product size and weight	Width (mm) ^{Note 1}	540
	Length (mm)	600
	Height (mm) ^{Note 1}	600
	Weight (kg)	35
Maximum speed (products/min)	30	
Belt speed and Maximum conveying capacity	10 to 40 m/min, Maximum 50 kg	
	20 to 50 m/min, Maximum 20 kg (option)	
Air requirements ^{Note 2}	0.5 to 0.9 MPa, 12 ℓ [A.N.R.]	
Air inlet	Tube having outer diameter of 10 mm	
Power requirements	200 Vac to 240 Vac ±10% [100 Vac to 120 Vac ±10% are also available as an option], single phase, 50/60 Hz	
Consumption	400 VA	
Noise	<79 dB (A)	<78 dB (A)
Mass	100 kg	115 kg
Environmental conditions	0°C to 40°C, relative humidity 30% to 85%, non-condensing	
Protection class	IP66 compliance	
Exterior	Stainless steel (SUS304)	

Note 1 : Product less than 150 mm wide or 50 mm high can not be rejected.
 Note2 : Maximum capacity per rejection operation.
 Note : Since the fast-moving rejector gate is exposed, we recommend to install a safety fence or cover the peripheral area.
 Note : Unpackaged products and bagged products which may become damaged are not supported.

Flipper Type
 Dropout Type
 Up and Out Type
 Air Jet Type
 Trip Type
Pusher Type
 Turning Type
 Carrier Type
 Rejector for Metal Detector
 Rejector for X-ray Inspection System

Turning Type

Made to Order

- Electric
 - Two-Way
 - SV/SSV Series Checkweigher
 - Non-Waterproof
 - Self-Standing
- X-ray Inspection System

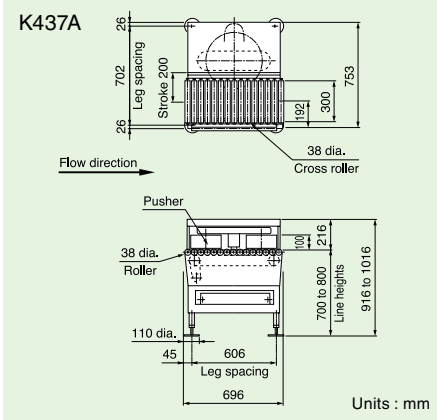
*The speed varies depending on a product to be rejected.

K437A

Maximum product size	Width	450 mm
	Length	600 mm
	Height	600 mm
	Weight	15 kg



External Dimensions



Specifications

Model	K437A	
Classification	2	
Maximum product size and weight	Width (mm) ^{Note 1}	450
	Length (mm)	600
	Height (mm)	600
	Weight (kg)	15
Maximum speed (products/min)	120 (3 kg or less), 100 (6 kg or less), 75 (15 kg or less)	
Belt speed (m/min) ^{Note 2}	50.4	
Power requirements	100 Vac ±10%, single phase, 50/60 Hz	
Power consumption	600 VA	
Mass	80 kg	
Environmental conditions	0°C to 40°C, relative humidity 30% to 85%, non-condensing	
Protection class	IP30 compliance	
Exterior	Painted	

Note 1 : Products 300 mm wide or less cannot be rejected.
 Note 2 : 24.2 m/min, 33.5 m/min and 40.2 m/min are also available as an option.

Flipper Type
 Dropout Type
 Up and Out Type
 Air Jet Type
 Trip Type
 Pusher Type
 Turning Type
 Carrier Type
 Rejector for Metal Detector
 Rejector for X-ray Inspection System

Carrier Type

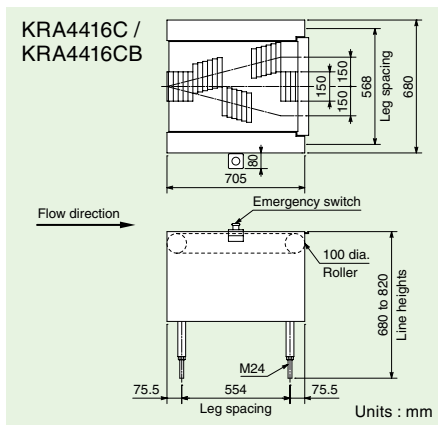
- Electric
 - Three-Way
 - SV/SSV Series Checkweigher
 - Non-Waterproof
 - Self-Standing
- X-ray Inspection System, Metal Detector**

*The speed varies depending on a product to be rejected.

KRA4416C type

Model	KRA4416C	KRA4416CB
Maximum product size	Width	140 mm
	Length	330 mm
	Height	300 mm
	Withstand load	70 g/cm

External Dimensions



Specifications



Model	KRA4416C	KRA4416CB
Classification	3	
Maximum product size	Width (mm)	140
	Length (mm)	330
	Height (mm)	300
Withstand load (g/cm)	70	
Maximum speed (products/min)	300	
Belt speed (m/min)	24 to 58	
Power requirements	100 Vac to 120 Vac +10% -15% [200 Vac to 240 Vac +10% -15% are also available as an option], single phase, 50/60 Hz	
Power consumption	220 VA (inrush current 15 A)	
Mass	100 kg	
Environmental conditions	0°C to 40°C, relative humidity 30% to 85%, non-condensing	
Protection class	IP30 compliance	
Exterior	Painted	

Note 1 : The noise level of KRA4416C is 72 dB (A) or less, and that of KRA4416CB is 64 dB (A) or less.

Carrier Type

- Electric
- Three-Way
- SV/SSV Series Checkweigher
- Waterproof
- Self-Standing
- Five-Way
- X-ray Inspection System, Metal Detector

*The speed varies depending on a product to be rejected.

KRA4416W type

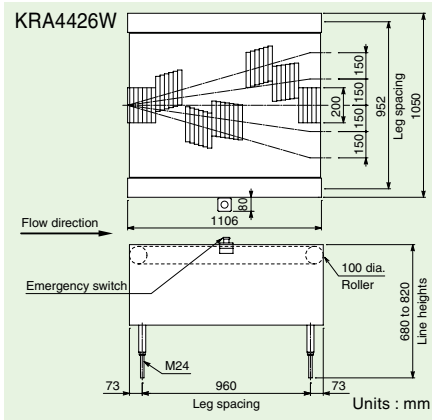
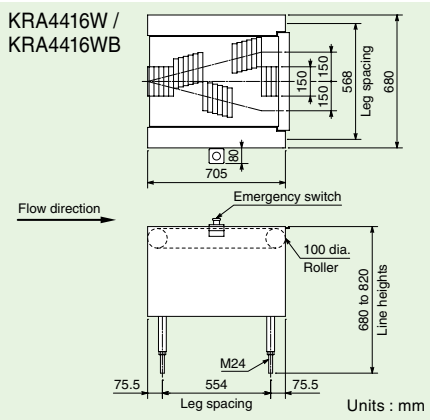
Maximum product size	Model	KRA4416W	KRA4416WB
	Width	140 mm	
	Length	330 mm	
	Height	300 mm	

KRA4426W

Maximum product size	Width	190 mm
	Length	330 mm
	Height	300 mm



External Dimensions



Specifications



Model	KRA4416W ^{Note 1}	KRA4416WB ^{Note 1}	KRA4426W
Classification	3		5
Maximum product size	Width (mm)	140	190
	Length (mm)	330	330
	Height (mm)	300	300
Withstand load (g/cm)	70		100
Maximum speed (products/min)	300		200
Belt speed (m/min)	24 to 58		
Power requirements	100 Vac to 120 Vac +10% -15% [200 Vac to 240 Vac +10% -15% are also available as an option], single phase, 50/60 Hz		
Power consumption	220 VA		270 VA
Mass	100 kg		150 kg
Environmental conditions	0°C to 40°C, relative humidity 30% to 85%, non-condensing		
Protection class	IP53 compliance		
Exterior	Stainless steel (SUS304)		

Note 1 : The noise level of KRA4416W is 72 dB (A) or less, and that of KRA4416WB is 63 dB (A) or less.

Flipper Type
 Dropout Type
 Up and Out Type
 Air Jet Type
 Trip Type
 Pusher Type
 Turning Type
Carrier Type
 Rejector for Metal Detector
 Rejector for X-ray Inspection System

Carrier Type Made to Order

- Pneumatic
 - Two-Way
 - SV/SSV Series Checkweigher
 - Waterproof
 - Self-Standing
- X-ray Inspection System

*The speed varies depending on a product to be rejected.

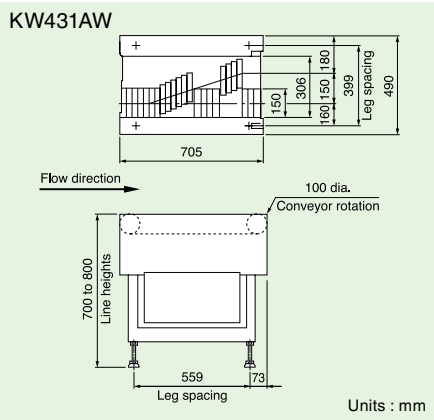
KW431AW

Maximum product size	Width	140 mm
	Length	330 mm
	Height	300 mm



KW431AW

External Dimensions



Specifications

Model	KW431AW	
Classification ^{Note 1}	2	
Maximum product size	Width (mm)	140
	Length (mm)	330
	Height (mm)	300
Withstand load (g/cm)	70	
Maximum speed (products/min)	400	
Belt speed (m/min)	30 to 60	
Air requirements	0.1 MPa, 35 ℓ /min [A.N.R.]	
Air inlet	Tube having outer diameter of 6 mm	
Power requirements	100 Vac ±10%, single phase, 50/60 Hz	
Power consumption	250 VA	
Mass	80 kg	
Environmental conditions	0°C to 40°C, relative humidity 30% to 85%, non-condensing	
Protection class	IP53 compliance	
Exterior	Stainless steel (SUS304)	

Note 1 : Change of discharge direction is available as an option.

Rejector for Metal Detector (Dropout Type)

Pneumatic **Two-Way** **Metal Detector** **Waterproof** **Integrated**

*The speed varies depending on a product to be rejected.

KW465BW/KW466BW

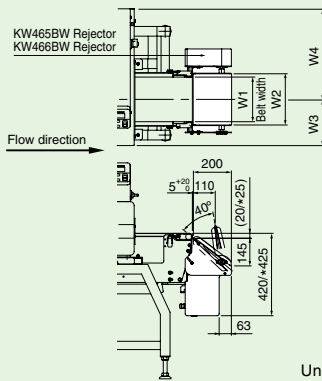
Model		KW465BW	KW466BW
Maximum product size	Bulk products	Width	220 mm
		Length	200 mm
		Height	30 mm
Products with regular interval	Products with regular interval	Width	220 mm
		Length	200 mm
		Height	100 mm
Weight		500 g	

KW465CW/KW466CW/KW468CW

Model		KW465CW	KW466CW	KW468CW
Maximum product size	Bulk products	Width	250 mm	160 mm
		Length	200 mm	200 mm
		Height	30 mm	30 mm
Products with regular interval	Products with regular interval	Width	250 mm	160 mm
		Length	200 mm	200 mm
		Height	100 mm	100 mm
Weight		500 g		

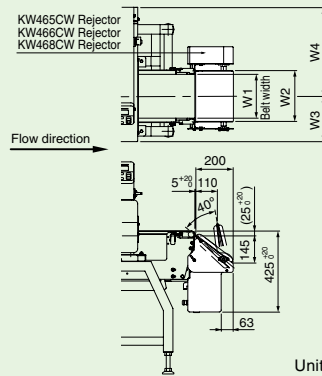
External Dimensions

KW465BW/KW466BW *



Units : mm

KW465CW/KW466CW/KW468CW



Units : mm



KW465BW

Model	KW465BW	KW466BW	KW465CW		KW466CW	KW468CW	
Connectable model	KD811XA/AW	KD812XA/AW	KDS811XBF ^{Note1} KDS30XXABF ^{Note2}	KDS811XBW ^{Note1} KDS30XXABW ^{Note2}	KDS812XBF/BW ^{Note1} KDS45XXABF/ABW ^{Note2}	KDS810XBF ^{Note1} KDS21XXABF ^{Note2}	KDS810XBW ^{Note1} KDS21XXABW ^{Note2}
W1	220	350	250	230	350	160	140
W2	267	417	264		414	174	
W3	213	288	238		313	193	
W4	402	477	467		542	422	

Specifications

Model		KW465BW	KW466BW	KW465CW	KW466CW	KW468CW	
Classification		2					
Maximum product size and weight	Bulk products	Width (mm)	220	350	250	350	160
		Length (mm)	200	200	200	200	200
		Height (mm)	30	30	30	30	30
	Products with regular interval	Weight (g)	500		500		500
		Width (mm)	220	350	250	350	160
		Length (mm)	200	200	200	200	200
Maximum speed (products/min)	Bulk products	80		80		80	
	Products with regular interval	80		80		80	
Air requirements		0.39 to 0.9 MPa, 2 ℓ /min [A.N.R.]					
Air inlet		Tube having outer diameter of 10 mm					
Power requirements		Supplied from Metal detector					
Power consumption		3.2 W					
Mass		8 kg	10 kg	8 kg	10 kg	7.5 kg	
Environmental conditions		0°C to 40°C, relative humidity 30% to 85%, non-condensing					
Protection class		IP66 compliance					
Exterior		Stainless steel (SUS304)					
Connectable model		KD811XA/AW	KD812XA/AW	KDS811XBF/BW ^{Note1} , KDS30XXABF/ABW ^{Note2}	KDS812XBF/BW ^{Note1} , KDS45XXABF/ABW ^{Note2}	KDS810XBF/BW ^{Note1} , KDS21XXABF/ABW ^{Note2}	

Note 1 : The same applies to the model name starting with the letters KD.
 Note 2 : Can be mounted on some of the vertical models.

Rejector for Metal Detector (Dropout Type)

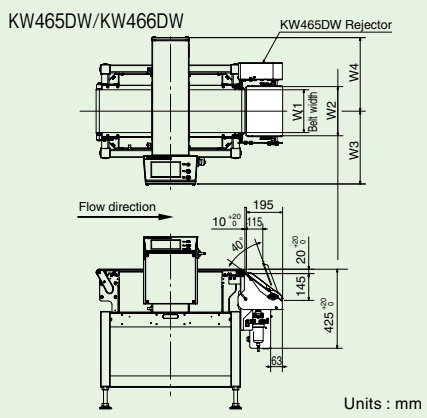
Pneumatic **Two-Way** **Metal Detector** **Waterproof** **Integrated**

*The speed varies depending on a product to be rejected.

KW465DW/KW466DW

Model		KW465DW	KW466DW
Maximum product size	Bulk products	Width	200 mm
		Length	250 mm
		Height	30 mm
	Products with regular interval	Width	200 mm
		Length	250 mm
		Height	100 mm
Weight		500 g	

External Dimensions



Units : mm

Model	KW465DW	KW466DW
Connectable model	KDB30XX	KDB45XX
W1	230	380
W2	264	414
W3	391	466
W4	396	471



Specifications

Model		KW465DW	KW466DW	
Classification		2		
Maximum product size and weight	Bulk products	Width (mm)	200	
		Length (mm)	250	
		Height (mm)	30	
	Products with regular interval	Weight (g)	500	
		Width (mm)	200	200
		Length (mm)	250	350
Maximum speed (products/min)	Height (mm)	100	100	
	Weight (g)	500		
Air requirements	Bulk products	—		
	Products with regular interval	80		
Air inlet		0.39 to 0.9 MPa, 2 ℓ /min [A.N.R.] Tube having outer diameter of 10 mm		
Power requirements		Supplied from Metal detector		
Power consumption		3.2 W		
Mass		8 kg	10 kg	
Environmental conditions		0°C to 40°C, relative humidity 30% to 85%, non-condensing		
Protection class		IP66 compliance		
Exterior		Stainless steel (SUS304)		
Connectable model		KDB30XX	KDB45XX	

Rejector for Metal Detector (Air Jet Type)

Pneumatic **Two-Way** **Metal Detector** **Waterproof** **Integrated**

*The speed varies depending on a product to be rejected.

KW483BW

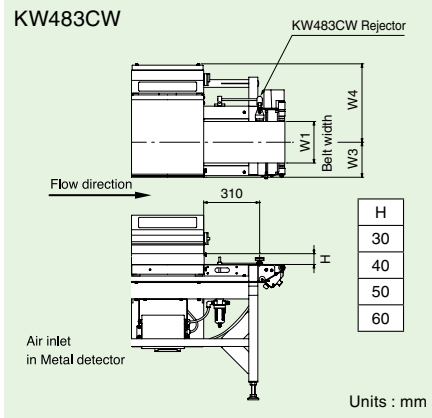
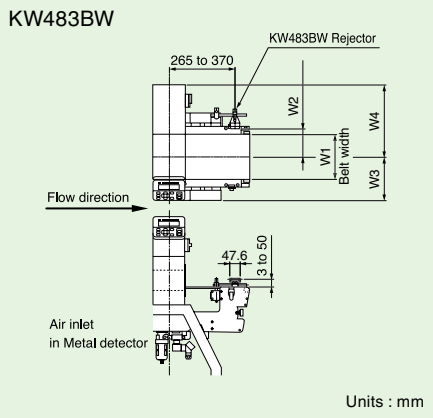
Maximum product size	Width	220 mm
	Length	300 mm
	Height	180 mm
	Weight	300 g

KW483CW

Maximum product size	Width	220 mm
	Length	300 mm
	Height	180 mm
	Weight	300 g



External Dimensions



Model	KW483BW						KW483CW					
	KDS810XBF ^{Note1} , KDS21XXABF ^{Note2}	KDS810XBW ^{Note1} , KDS21XXABW ^{Note2}	KDS811XBF ^{Note1} , KDS30XXABF ^{Note2}	KDS811XBW ^{Note1} , KDS30XXABW ^{Note2}	KDS812XBF ^{Note1} , KDS45XXABF ^{Note2}	KDS812XBW ^{Note1} , KDS45XXABW ^{Note2}	KD811XA	KD811XAW	KD812XA	KD812XAW	KD8200AW	KD8220AW
W1	160	140	250	230	350		220			350	230	400
W2	95 to 127	84 to 116	140 to 172	129 to 161	205 to 237	194 to 226	135 to 165	125 to 155	200 to 230	190 to 220	-	-
W3		193		238		313		213		288	194	279
W4		422		467		542		402		477	436	521

Specifications

Model	KW483BW CE	KW483CW
Classification		2
Maximum product size and weight	Width (mm)	220
	Length (mm)	300
	Height (mm)	180
	Weight (g)	300
Maximum speed (products/min)		220
Air requirements		0.49 MPa, 16 ℓ /min [A.N.R.]
Air inlet		Tube having outer diameter of 10 mm
Power requirements		Supplied from Metal detector
Power consumption	1.6 W	50 VA
Mass		3 kg
Environmental conditions		0°C to 40°C, relative humidity 30% to 85%, non-condensing
Protection class		IP66 compliance
Connectable model	KDS810X ^{Note1} , KDS811X ^{Note1} , KDS812X ^{Note1} , KD811X, KD812X, KDS21XX ^{Note2} , KDS30XX ^{Note2} , KDS45XX ^{Note2}	KD8200, KD8220

Note 1 : The same applies to the model name starting with the letters KD.
 Note 2 : Can be mounted on the vertical models.
 Note : Connectable to SV/SSV series checkweigher.
 Note that a set of air parts is mounted on the downstream conveyor.

Flipper type
 Dropout type
 Up and out type
 Air jet type
 Trip type
 Pusher type
 Turning type
 Carrier type
 Rejector for Metal Detector
 Rejector for X-ray Inspection System

Rejector for Metal Detector (Air Jet Type)

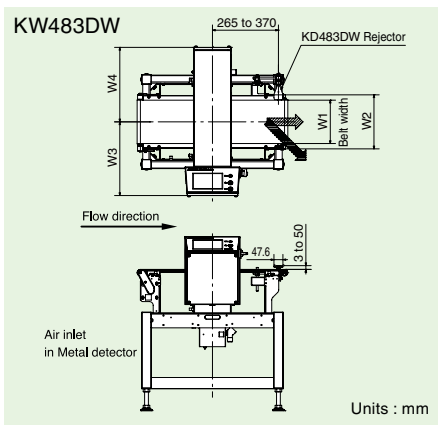
Pneumatic **Two-Way** **Metal Detector** **Waterproof** **Integrated**

*The speed varies depending on a product to be rejected.

KW483DW

Maximum product size	Width	220 mm
	Length	300 mm
	Height	180 mm
	Weight	300 g

External Dimensions



Model	KW483DW	
Connectable model	KDB30XXAHX	KDB45XXAHX
W1	230	380
W2	300	450
W3	391	466
W4	396	471



Specifications

Model	KW483DW	
Classification	2	
Maximum product size and weight	Width (mm)	220
	Length (mm)	300
	Height (mm)	180
	Weight (g)	300
Maximum speed (products/min)	220	
Air requirements	0.49 MPa, 16 ℓ /min [A.N.R.]	
Air inlet	Tube having outer diameter of 10 mm	
Power requirements	Supplied from Metal detector	
Power consumption	1.6 W	
Mass	3 kg	
Environmental conditions	0°C to 40°C, relative humidity 30% to 85%, non-condensing	
Protection class	IP66 compliance	
Connectable model	KDB30XX, KDB45XX	

Rejector for X-ray Inspection System (Chute Type)

Made to Order

- Pneumatic
- Two-Way
- X-ray Inspection System
- Waterproof
- Self-Standing

*The speed varies depending on a product to be rejected.

NGS290/NGS440

Maximum product size	Model	NGS290	NGS440
	Width	290 mm	440 mm
	Height	50 mm	
	Weight	500 g	

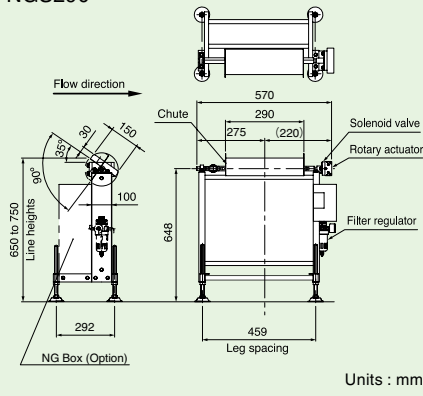


NGS290

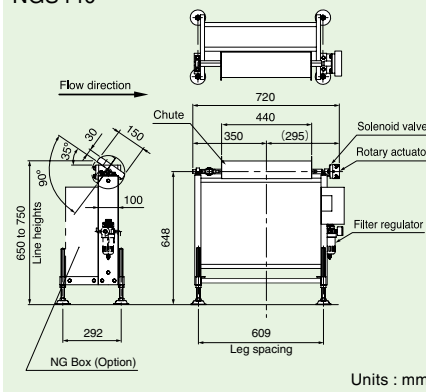
● Fixed chute and NG box are options.

External Dimensions

NGS290



NGS440



Specifications



Model	NGS290	NGS440
Classification	2	
Maximum product size and weight ^{Note 1}	Width (mm)	290
	Height (mm)	50
	Weight (g)	500
Maximum speed	Bulk	
Chute revers speed	0.2 to 1 s/90°	
Air requirements	0.5 to 0.8 MPa, 4 ℓ /min [A.N.R.]	
Air inlet	Tube having outer diameter of 6 mm	
Power requirements	Supplied from X-ray inspection system	
Power consumption	24 Vdc	
Mass	13 kg	14 kg
Environmental conditions	0°C to 40°C, relative humidity 30% to 85%, non-condensing	
Protection class	IP65 compliance	
Exterior	Stainless steel (SUS304)	

Note 1 : Contact us for product length.

- Flipper Type
- Dropout Type
- Up and Out Type
- Air Jet Type
- Trip Type
- Pusher Type
- Turning Type
- Carrier Type
- Rejector for Metal Detector
- Rejector for X-ray Inspection System

Rejector for X-ray Inspection System (Shuttle Type)

Made to Order

- Pneumatic
- Two-Way
- X-ray Inspection System
- Waterproof
- Self-Standing

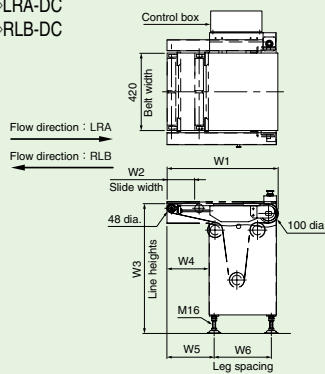
*The speed varies depending on a product to be rejected.

RS3▼▼□-DC / RS4▼▼□-DC / RS5▼▼□-DC

Model	RS3▼▼□-DC	RS4▼▼□-DC	RS5▼▼□-DC
Width	400 mm	400 mm	400 mm
Length	280 mm	380 mm	280 mm
Height	150 mm	150 mm	150 mm
Weight	3 kg	3 kg	5 kg

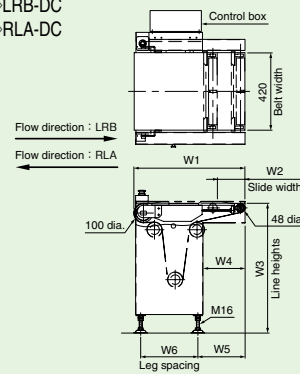
External Dimensions

RS◇LRA-DC
RS◇RLB-DC



Units : mm

RS◇LRB-DC
RS◇RLA-DC



Units : mm



RS3▼▼□-DC

Model	RS3▼▼□-DC	RS4▼▼□-DC	RS5▼▼□-DC
W1	600	800	900
W2	150	250	150
W3	650 to 750	900 to 1000	650 to 750
W4	228	328	228
W5	255	355	255
W6	310	410	310

Specifications

Model	RS3▼▼□-DC	RS4▼▼□-DC	RS5▼▼□-DC
Classification	2		
▼▼ Flow direction	LR	Left to right	
	RL	Right to left	
□ Expandable/ contractible part	A	Downstream side of flow direction	
	B	Upstream side of flow direction	
Maximum product size and weight	Width (mm)	400	400
	Length (mm)	280	380
	Height (mm)	150	150
	Weight (kg)	3	3
Maximum speed (products/min)	40		
Air requirements	0.5 to 0.8 MPa, 25 ℓ /min [A.N.R.]		
Air inlet	Tube having outer diameter of 8 mm		
Power requirements	200 Vac to 240 Vac ±10% [100 Vac to 200 Vac ±10% are also available as an option], single phase, 50/60 Hz		
Power consumption	200 VA		
Mass	85 kg	100 kg	100 kg
Environmental conditions	0°C to 40°C, relative humidity 30% to 85%, non-condensing		
Protection class	IP65 compliance		
Exterior	Stainless steel (SUS304)		
Connectable model	KD7405, KD7416, KD7417 series, KXS75 series		

Metal Detector and Rejector Combinations



Note 1 : If C, F, J or M is selected for ◇, the combination symbol is "—".

Note 2 : If B, C, H or J is selected for ◇, the combination symbol is "△".

Note 3 : Cannot be connected to electric-driven rejectors.

Note 4 : ★=A, AD, AU
Note 5 : ☆=AW, ADW, AUW

Note 6 : ◇ A, B, G, H=200
◇ C, J=60

Page		10,11	12 to 15	10,11	12 to 15	10	12,13	10,11	12 to 15	10,11	12 to 15	10	12,13	16	16	16					
Rejection method		Flipper																			
Machine conditions	Exterior	Painted					SUS304														
	Protection class	IP30																			
	Belt width (mm)	160					250					400					120				
Maximum product height (mm)		Note 6	Note 7	200	500	Note 6	Note 7	200	500	Note 6	Note 7	200	500	60	220	350					
Machine conditions		Rejector Model																			
Exterior	Protection class	Belt width (mm)	Line heights (mm)	Metal Detector Model	KW4132◇FA (3-way) (2-way) (Note 3)	KW4232◇FA (2-way) (Note 3)	KW4133◇FA (3-way) (Note 3)	KW4233◇FA (2-way) (Note 3)	KW4134◇FA (3-way) (Note 3)	KW4234◇FA (2-way) (Note 3)	KW4132◇PA (3-way) (2-way) (Note 3)	KW4232◇PA (2-way) (Note 3)	KW4133◇PA (3-way) (2-way) (Note 3)	KW4233◇PA (2-way) (Note 3)	KW4134◇PA (3-way) (2-way) (Note 3)	KW4234◇PA (2-way) (Note 3)	KFA4102AW (3-way) (Note 3)	KFA4103AW (3-way) (Note 3)	KFA4104AW (3-way) (Note 3)		
Painted	IP30	160	50	KDS8102BF	○	○	○	○	△	△	○	○	○	○	△	△	△	△	△	△	
			80	KDS8103BF	○	○	○	○	△	△	○	○	○	○	○	△	△	△	△	△	△
			100	KDS8104BF	○	○	○	○	△	△	○	○	○	○	○	△	△	△	△	△	△
SUS304	IP66	140	45	KDS8102BW	△	△	△	△	△	△	△	△	△	△	△	△	△	△	△	△	
			75	KDS8103BW	△	△	△	△	△	△	△	△	△	△	△	△	△	△	△	△	△
			95	KDS8104BW	△	△	△	△	△	△	△	△	△	△	△	△	△	△	△	△	△
Painted	IP30	250	50	KDS8112BF	△	△	○	○	○	○	○	○	○	○	○	○	○	○	○	○	
			80	KDS8113BF	△	△	○	○	○	○	○	○	○	○	○	○	○	○	○	○	○
			120	KDS8115BF	△	△	○	○	○	○	○	○	○	○	○	○	○	○	○	○	○
SUS304	IP66	230	45	KDS8112BW	△	△	△	△	△	△	△	△	△	△	△	△	△	△	△	△	
			75	KDS8113BW	△	△	△	△	△	△	△	△	△	△	△	△	△	△	△	△	△
			115	KDS8115BW	△	△	△	△	△	△	△	△	△	△	△	△	△	△	△	△	△
Painted	IP30	350	50	KDS8122BF	—	—	△	△	○	○	△	△	△	△	○	○	—	△	△	△	
			100	KDS8124BF	—	—	△	△	○	○	△	△	△	△	○	○	—	△	△	△	
			130	KDS8125BF	—	—	△	△	○	○	△	△	△	△	○	○	—	△	△	△	
SUS304	IP66	350	180	KDS8126BF	—	—	△	△	○	○	△	△	△	△	○	○	—	△	△	△	
			45	KDS8122BW	—	—	△	△	△	△	△	△	△	△	△	△	△	△	△	△	△
			95	KDS8124BW	—	—	△	△	△	△	△	△	△	△	△	△	△	△	△	△	△
Painted	IP30	220	80	KD8113A	△	△	○	○	○	○	△	△	○	○	○	○	—	○	○	○	
			120	KD8115A	△	△	○	○	○	○	△	△	○	○	○	○	○	—	○	○	○
			180	KD8116A	△	△	○	○	○	○	△	△	○	○	○	○	○	—	○	○	○
SUS304	IP66	220	75	KD8113AW	△	△	△	△	△	△	△	△	△	△	△	△	△	△	△	△	
			115	KD8115AW	△	△	△	△	△	△	△	△	△	△	△	△	△	△	△	△	△
			175	KD8116AW	△	△	△	△	△	△	△	△	△	△	△	△	△	△	△	△	△
Painted	IP30	350	100	KD8124A	—	—	△	△	○	○	△	△	△	△	○	○	—	△	△	△	
			130	KD8125A	—	—	△	△	○	○	△	△	△	△	○	○	—	△	△	△	
			180	KD8126A	—	—	△	△	○	○	△	△	△	△	○	○	—	△	△	△	
SUS304	IP66	350	95	KD8124AW	—	—	△	△	△	△	△	△	△	△	△	△	△	△	△	△	
			125	KD8125AW	—	—	△	△	△	△	△	△	△	△	△	△	△	△	△	△	
			175	KD8126AW	—	—	△	△	△	△	△	△	△	△	△	△	△	△	△	△	
Painted	IP30	280	80	KD8113AT	○	○	○	○	○	○	○	○	○	○	○	○	○	○	○	○	
			120	KD8115AT	○	○	○	○	○	○	○	○	○	○	○	○	○	○	○	○	
			180	KD8116AT	△	△	○	○	○	○	△	△	○	○	○	○	○	△	△	○	
SUS304	IP66	275	80	KD8113AWT	△	△	△	△	△	△	△	△	△	△	△	△	△	△	△	△	
			120	KD8115AWT	△	△	△	△	△	△	△	△	△	△	△	△	△	△	△	△	
			180	KD8116AWT	△	△	△	△	△	△	△	△	△	△	△	△	△	△	△	△	
Painted	IP30	430	100	KD8124AT	△	△	△	△	△	△	△	△	△	△	△	△	△	△	△	△	
			130	KD8125AT	△	△	△	△	△	△	△	△	△	△	△	△	△	△	△	△	
			180	KD8126AT	△	△	△	△	△	△	△	△	△	△	△	△	△	△	△	△	
SUS304	IP66	425	100	KD8124AWT	△	△	△	△	△	△	△	△	△	△	△	△	△	△	△	△	
			130	KD8125AWT	△	△	△	△	△	△	△	△	△	△	△	△	△	△	△	△	
			180	KD8126AWT	△	△	△	△	△	△	△	△	△	△	△	△	△	△	△	△	
SUS304	IP66	230	KD8200AW	△	△	△	△	△	△	△	△	△	△	△	△	△	△	△	△		
		400	KD8220AW	△	△	△	△	△	△	△	△	△	△	△	△	△	△	△	△		
Painted	IP30	550	100	KD8132★	—	—	—	—	△	△	—	—	—	—	△	△	—	—	△		
			150	KD8133★	—	—	—	—	△	△	—	—	—	—	△	△	—	—	△		
			200	KD8134★	—	—	—	—	△	△	—	—	—	—	△	△	—	—	△		
			250	KD8135★	—	—	—	—	△	△	—	—	—	—	△	△	—	—	△		
			300	KD8136★	—	—	—	—	△	△	—	—	—	—	△	△	—	—	△		
			350	KD8137★	—	—	—	—	△	△	—	—	—	—	△	△	—	—	△		
			400	KD8138★	—	—	—	—	△	△	—	—	—	—	△	△	—	—	△		
			100	KD8132☆	—	—	—	—	△	△	—	—	—	—	△	△	—	—	△		
SUS304	IP66	550	150	KD8133☆	—	—	—	—	△	△	—	—	—	—	△	△	—	—	△		
			200	KD8134☆	—	—	—	—	△	△	—	—	—	—	△	△	—	—	△		
			250	KD8135☆	—	—	—	—	△	△	—	—	—	—	△	△	—	—	△		
			300	KD8136☆	—	—	—	—	△	△	—	—	—	—	△	△	—	—	△		
			350	KD8137☆	—	—	—	—	△	△	—	—	—	—	△	△	—	—	△		
			400	KD8138☆	—	—	—	—	△	△	—	—	—	—	△	△	—	—	△		
Painted	IP30	220	30, 55, 80,	KD821AH	△	△	○	○	○	○	○	○	○	○	○	○	○	○			
SUS304	IP65	220	105, 130	KD821AHW	△	△	△	△	△	△	△	△	△	△	△	△	△	△			

Metal Detector and Rejector Combinations



Note 3 : Cannot be connected to electric-driven rejectors.

Note 5 : ☆=AW, ADW, AUW

Note 8 : The same applies to the model name starting with the letters KD.

Note 4 : ★=A, AD, AU

Page				23	24	24	23	24	24	23	23	24	24	23	24	23	25	25				
Rejection method				Up and Out																		
Machine conditions	Exterior			Painted						SUS304						Painted	SUS304					
	Protection class			IP30																		
	Belt width (mm)			100			160			250			100			160			250			
Maximum product height (mm)				15	140	60	15	180	100	30	15	140	60	15	180	100	30					
Machine conditions				Rejector Model																		
Exterior	Protection class	Belt width (mm)	Line heights (mm)	Metal Detector Model	KW4603MFA (3-way)	KW4610JFA (2-way)	KW4610KFA (2-way)	KW4610MFA (3-way)	KW4612JFA (2-way)	KW4612KFA (2-way)	KW4612MFA (3-way)	KW4603MPA (3-way)	KW4610JPA (2-way)	KW4610KPA (2-way)	KW4610MPA (3-way)	KW4612JPA (2-way)	KW4612KPA (2-way)	KW4612MPA (3-way)	KW4639L FAC (3-way)	KW4639L PAC (3-way)		
Painted	IP30	160	50	KDS8102BF	△	○	○	○	○	○	○	△	○	○	○	○	○	○	○	○	○	
			80	KDS8103BF	△	○	○	○	○	○	○	○	△	○	○	○	○	○	○	○	○	○
			100	KDS8104BF	△	○	○	○	○	○	○	○	△	○	○	○	○	○	○	○	○	○
SUS304	IP66	140	45	KDS8102BW	△	△	△	△	△	△	△	△	△	△	△	△	△	△	△	△	△	
			75	KDS8103BW	△	△	△	△	△	△	△	△	△	△	△	△	△	△	△	△	△	△
			95	KDS8104BW	△	△	△	△	△	△	△	△	△	△	△	△	△	△	△	△	△	△
Painted	IP30	250	50	KDS8112BF	-	△	△	△	○	○	○	-	△	△	△	○	○	○	○	○	○	
			80	KDS8113BF	-	△	△	△	○	○	○	-	△	△	△	○	○	○	○	○	○	○
			120	KDS8115BF	-	△	△	△	○	○	○	-	△	△	△	○	○	○	○	○	○	○
SUS304	IP66	230	45	KDS8112BW	-	△	△	△	△	△	△	-	△	△	△	△	△	△	△	△	△	
			75	KDS8113BW	-	△	△	△	△	△	△	△	-	△	△	△	△	△	△	△	△	△
			115	KDS8115BW	-	△	△	△	△	△	△	△	-	△	△	△	△	△	△	△	△	△
Painted	IP30	350	50	KDS8122BF	-	-	-	-	△	△	△	-	-	-	-	△	△	△	△	△		
			100	KDS8124BF	-	-	-	-	△	△	△	-	-	-	-	△	△	△	△	△	△	
			130	KDS8125BF	-	-	-	-	△	△	△	-	-	-	-	△	△	△	△	△	△	
SUS304	IP66	350	180	KDS8126BF	-	-	-	-	△	△	△	-	-	-	-	△	△	△	△	△		
			45	KDS8122BW	-	-	-	-	△	△	△	-	-	-	-	△	△	△	△	△	△	
			95	KDS8124BW	-	-	-	-	△	△	△	-	-	-	-	△	△	△	△	△	△	
Painted	IP30	220	80	KD8113A	-	△	△	△	○	○	△	-	△	△	△	○	○	○	△	△		
			120	KD8115A	-	△	△	△	○	○	△	-	△	△	△	○	○	○	△	△	△	
			180	KD8116A	-	△	△	△	○	○	△	-	△	△	△	○	○	○	△	△	△	
SUS304	IP66	220	75	KD8113AW	-	△	△	△	△	△	△	-	△	△	△	△	△	△	△	△		
			115	KD8115AW	-	△	△	△	△	△	△	-	△	△	△	△	△	△	△	△	△	
			175	KD8116AW	-	△	△	△	△	△	△	-	△	△	△	△	△	△	△	△	△	
Painted	IP30	350	100	KD8124A	-	-	-	-	△	△	△	-	-	-	-	△	△	△	△	△		
			130	KD8125A	-	-	-	-	△	△	△	-	-	-	-	△	△	△	△	△		
			180	KD8126A	-	-	-	-	△	△	△	-	-	-	-	△	△	△	△	△		
SUS304	IP66	350	95	KD8124AW	-	-	-	-	△	△	△	-	-	-	-	△	△	△	△	△		
			125	KD8125AW	-	-	-	-	△	△	△	-	-	-	-	△	△	△	△	△		
			175	KD8126AW	-	-	-	-	△	△	△	-	-	-	-	△	△	△	△	△		
Painted	IP30	280	80	KD8113AT	△	○	△	△	○	○	△	△	○	△	△	○	○	○	△	△		
			120	KD8115AT	△	○	△	△	○	○	△	△	○	△	△	○	○	○	△	△		
			180	KD8116AT	△	△	△	△	○	○	△	△	△	△	○	○	○	△	△			
SUS304	IP66	275	80	KD8113AWT	△	△	△	△	△	△	△	△	△	△	△	△	△	△	△	△		
			120	KD8115AWT	△	△	△	△	△	△	△	△	△	△	△	△	△	△	△	△		
			180	KD8116AWT	△	△	△	△	△	△	△	△	△	△	△	△	△	△	△	△		
Painted	IP30	430	100	KD8124AT	-	△	△	△	△	△	△	-	△	△	△	○	△	△	△	△		
			130	KD8125AT	-	△	△	△	△	△	△	-	△	△	△	○	△	△	△	△		
			180	KD8126AT	-	△	△	△	△	△	△	-	△	△	△	○	△	△	△	△		
SUS304	IP66	425	100	KD8124AWT	-	△	△	△	△	△	△	-	△	△	△	△	△	△	△	△		
			130	KD8125AWT	-	△	△	△	△	△	△	-	△	△	△	△	△	△	△	△		
			180	KD8126AWT	-	△	△	△	△	△	△	-	△	△	△	△	△	△	△	△		
SUS304	IP66	230	KD8200AW	-	△	△	△	△	△	△	△	△	△	△	○	○	○	△	△			
		400	KD8220AW	-	-	-	-	△	△	△	-	-	-	-	△	△	△	△				
Painted	IP30	550	100	KD8132★	-	-	-	-	-	-	-	-	-	-	-	-	-	-	-			
			150	KD8133★	-	-	-	-	-	-	-	-	-	-	-	-	-	-	-			
			200	KD8134★	-	-	-	-	-	-	-	-	-	-	-	-	-	-	-			
			250	KD8135★	-	-	-	-	-	-	-	-	-	-	-	-	-	-	-			
			300	KD8136★	-	-	-	-	-	-	-	-	-	-	-	-	-	-	-			
			350	KD8137★	-	-	-	-	-	-	-	-	-	-	-	-	-	-	-			
			400	KD8138★	-	-	-	-	-	-	-	-	-	-	-	-	-	-	-			
SUS304	IP66	550	100	KD8132☆	-	-	-	-	-	-	-	-	-	-	-	-	-	-				
			150	KD8133☆	-	-	-	-	-	-	-	-	-	-	-	-	-	-				
			200	KD8134☆	-	-	-	-	-	-	-	-	-	-	-	-	-	-				
			250	KD8135☆	-	-	-	-	-	-	-	-	-	-	-	-	-	-				
			300	KD8136☆	-	-	-	-	-	-	-	-	-	-	-	-	-	-				
			350	KD8137☆	-	-	-	-	-	-	-	-	-	-	-	-	-	-				
			400	KD8138☆	-	-	-	-	-	-	-	-	-	-	-	-	-	-				
Painted	IP30	220	30, 55, 80,	KD821AH	-	-	-	-	-	-	-	-	-	-	-	-	-	-				
SUS304	IP65		105, 130	KD821AHW	-	-	-	-	-	-	-	-	-	-	-	-	-					

Rejector Combinations

- ◎ : Optimum combination. (Anritsu's recommendation) ○ : Recommended standard combination.
 △ : Combination is allowed; however, conveyor width, exterior, and conveyable weight, etc. differ.
 - : Combination is not allowed. Leg : Required to modify the rejector to be self-standing type.

26		26	27	27	27	40	40	41	28	30	30	31	31	32	32	33	33	35,36	35	35	36	Page	
Air Jet										Pusher						Carrier				Rejection method			
Painted, SUS304										SUS304		Painted, SUS304			Painted		SUS304		Painted SUS304	Painted	SUS304	Exterior	
IP30					IP66					IP30			IP66			IP30	IP53	Protection class		Machine conditions			
100	160	160	250	-	-	-	230	100	160	250	500	600	550	200	150	Belt width (mm)							
30	160	160	180	180	180	160	160	160	160	600	600	600	300	300	Maximum product height (mm)								
KW4803CF/CP (2-way)		KW4803BF/BP (2-way)	KW4805BF/BP (2-way) (3-way)	KW4806BF/BP (2-way) (3-way)	KW4812BF/BP (2-way) (3-way)	KW483BW (2-way)	KW483CW (2-way)	K483DW (2-way)	KW4866BW (2-way)	KW4503BF/BP (2-way)	KW4505BF/BP (2-way)	KW4506BF/BP (2-way)	KW4512BF/BP (2-way)	KW451A (2-way)	KRA4504AF (2-way)	KW4501LWAC (2-way)	KW4501MWAC (2-way)	K426D/KRA4426W (5-way)	KRA4416C/CB (3-way)	K416DB4 (3-way)	KRA4416W/WB (3-way)	Rejection Model	
																						Metal Detector Model	
△Leg	△Leg	◎Leg	◎Leg	◎Leg	○	-	-	△Leg	△Leg	◎Leg	◎Leg	◎Leg	◎Leg	○	-	-	-	-	○	○	△	KDS8102BF ^{Note 8}	
△Leg	△Leg	◎Leg	◎Leg	◎Leg	○	-	-	△Leg	△Leg	◎Leg	◎Leg	◎Leg	◎Leg	○	-	-	-	-	○	○	△	KDS8103BF ^{Note 8}	
△Leg	△Leg	◎Leg	◎Leg	◎Leg	○	-	-	△Leg	△Leg	◎Leg	◎Leg	◎Leg	◎Leg	○	-	-	-	-	○	○	△	KDS8104BF ^{Note 8}	
△Leg	△Leg	◎Leg	◎Leg	◎Leg	○	-	-	○Leg	△Leg	△Leg	△Leg	△Leg	△Leg	-	-	-	-	-	△	△	○	KDS8102BW ^{Note 8}	
△Leg	△Leg	◎Leg	◎Leg	◎Leg	○	-	-	○Leg	△Leg	△Leg	△Leg	△Leg	△Leg	-	-	-	-	-	△	△	○	KDS8103BW ^{Note 8}	
△Leg	△Leg	◎Leg	◎Leg	◎Leg	○	-	-	○Leg	△Leg	△Leg	△Leg	△Leg	△Leg	-	-	-	-	-	△	△	○	KDS8104BW ^{Note 8}	
-	-	△Leg	△Leg	◎Leg	○	-	-	△Leg	-	△Leg	△Leg	◎Leg	◎Leg	-	-	-	-	-	△	△	△	KDS8112BF ^{Note 8}	
-	-	△Leg	△Leg	◎Leg	○	-	-	△Leg	-	△Leg	△Leg	◎Leg	◎Leg	-	-	-	-	-	△	△	△	KDS8113BF ^{Note 8}	
-	-	△Leg	△Leg	◎Leg	○	-	-	△Leg	-	△Leg	△Leg	◎Leg	◎Leg	-	-	-	-	-	△	△	△	KDS8115BF ^{Note 8}	
-	-	△Leg	△Leg	◎Leg	○	-	-	△Leg	-	△Leg	△Leg	◎Leg	◎Leg	-	-	-	-	-	△	△	△	KDS8116BF ^{Note 8}	
-	-	△Leg	△Leg	◎Leg	○	-	-	○Leg	-	△Leg	△Leg	△Leg	△Leg	-	-	-	-	-	△	△	△	KDS8112BW ^{Note 8}	
-	-	△Leg	△Leg	◎Leg	○	-	-	○Leg	-	△Leg	△Leg	△Leg	△Leg	-	-	-	-	-	△	△	△	KDS8113BW ^{Note 8}	
-	-	△Leg	△Leg	◎Leg	○	-	-	○Leg	-	△Leg	△Leg	△Leg	△Leg	-	-	-	-	-	△	△	△	KDS8115BW ^{Note 8}	
-	-	△Leg	△Leg	◎Leg	○	-	-	○Leg	-	△Leg	△Leg	△Leg	△Leg	-	-	-	-	-	△	△	△	KDS8116BW ^{Note 8}	
-	-	-	-	△Leg	○	-	-	△Leg	-	-	-	-	-	-	-	-	-	-	-	-	-	KDS8122BF ^{Note 8}	
-	-	-	-	△Leg	○	-	-	△Leg	-	-	-	-	-	-	-	-	-	-	-	-	-	KDS8124BF ^{Note 8}	
-	-	-	-	△Leg	○	-	-	△Leg	-	-	-	-	-	-	-	-	-	-	-	-	-	KDS8125BF ^{Note 8}	
-	-	-	-	△Leg	○	-	-	△Leg	-	-	-	-	-	-	-	-	-	-	-	-	-	KDS8126BF ^{Note 8}	
-	-	-	-	△Leg	○	-	-	△Leg	-	-	-	-	-	-	-	-	-	-	-	-	-	KDS8122BW ^{Note 8}	
-	-	-	-	△Leg	○	-	-	△Leg	-	-	-	-	-	-	-	-	-	-	-	-	-	KDS8124BW ^{Note 8}	
-	-	-	-	△Leg	○	-	-	△Leg	-	-	-	-	-	-	-	-	-	-	-	-	-	KDS8125BW ^{Note 8}	
-	-	-	-	△Leg	○	-	-	△Leg	-	-	-	-	-	-	-	-	-	-	-	-	-	KDS8126BW ^{Note 8}	
-	-	△Leg	△Leg	◎Leg	○	-	-	△Leg	-	△Leg	△Leg	◎Leg	◎Leg	-	-	-	-	-	△	△	△	KD8113A	
-	-	△Leg	△Leg	◎Leg	○	-	-	△Leg	-	△Leg	△Leg	◎Leg	◎Leg	-	-	-	-	-	△	△	△	KD8115A	
-	-	△Leg	△Leg	◎Leg	○	-	-	△Leg	-	△Leg	△Leg	◎Leg	◎Leg	-	-	-	-	-	△	△	△	KD8116A	
-	-	△Leg	△Leg	◎Leg	○	-	-	○Leg	-	△Leg	△Leg	△Leg	△Leg	-	-	-	-	-	△	△	△	KD8113AW	
-	-	△Leg	△Leg	◎Leg	○	-	-	○Leg	-	△Leg	△Leg	△Leg	△Leg	-	-	-	-	-	△	△	△	KD8115AW	
-	-	△Leg	△Leg	◎Leg	○	-	-	○Leg	-	△Leg	△Leg	△Leg	△Leg	-	-	-	-	-	△	△	△	KD8116AW	
-	-	-	-	△Leg	○	-	-	△Leg	-	-	-	△Leg	-	-	-	-	-	-	-	-	-	KD8124A	
-	-	-	-	△Leg	○	-	-	△Leg	-	-	-	△Leg	-	-	-	-	-	-	-	-	-	KD8125A	
-	-	-	-	△Leg	○	-	-	△Leg	-	-	-	△Leg	-	-	-	-	-	-	-	-	-	KD8126A	
-	-	-	-	△Leg	○	-	-	△Leg	-	-	-	△Leg	-	-	-	-	-	-	-	-	-	KD8124AW	
-	-	-	-	△Leg	○	-	-	△Leg	-	-	-	△Leg	-	-	-	-	-	-	-	-	-	KD8125AW	
-	-	-	-	△Leg	○	-	-	△Leg	-	-	-	△Leg	-	-	-	-	-	-	-	-	-	KD8126AW	
-	○Leg	◎Leg	◎Leg	◎Leg	○	-	-	△Leg	○Leg	◎Leg	◎Leg	◎Leg	◎Leg	-	-	-	-	-	○	○	△	KD8113AT	
-	△Leg	◎Leg	◎Leg	◎Leg	○	-	-	△Leg	△Leg	◎Leg	◎Leg	◎Leg	◎Leg	-	-	-	-	-	○	○	△	KD8115AT	
-	△Leg	△Leg	△Leg	◎Leg	○	-	-	△Leg	△Leg	△Leg	△Leg	△Leg	△Leg	-	-	-	-	-	△	△	△	KD8116AT	
-	△Leg	△Leg	△Leg	◎Leg	○	-	-	○Leg	△Leg	△Leg	△Leg	△Leg	△Leg	-	-	-	-	-	△	△	○	KD8113AWT	
-	△Leg	△Leg	△Leg	◎Leg	○	-	-	○Leg	△Leg	△Leg	△Leg	△Leg	△Leg	-	-	-	-	-	△	△	○	KD8115AWT	
-	△Leg	△Leg	△Leg	◎Leg	○	-	-	○Leg	△Leg	△Leg	△Leg	△Leg	△Leg	-	-	-	-	-	△	△	△	KD8116AWT	
-	-	-	-	-	○	-	-	-	-	-	-	-	-	-	-	-	-	-	△	△	△	KD8124AT	
-	-	-	-	-	○	-	-	-	-	-	-	-	-	-	-	-	-	-	△	△	△	KD8125AT	
-	-	-	-	-	○	-	-	-	-	-	-	-	-	-	-	-	-	-	△	△	△	KD8126AT	
-	-	-	-	-	○	-	-	-	-	-	-	-	-	-	-	-	-	-	△	△	○	KD8124AWT	
-	-	-	-	-	○	-	-	-	-	-	-	-	-	-	-	-	-	-	△	△	○	KD8125AWT	
-	-	-	-	-	○	-	-	-	-	-	-	-	-	-	-	-	-	-	△	△	△	KD8126AWT	
-	-	-	-	-	○	-	-	-	-	-	-	-	-	-	-	-	-	-	-	-	-	KD8200AW ^{Note 3}	
-	-	-	-	-	○	-	-	-	-	-	-	-	-	-	-	-	-	-	-	-	-	KD8220AW ^{Note 3}	
-	-	-	-	-	-	-	-	-	-	-	-	-	-	○	○	-	-	-	-	-	-	KD8132★ ^{Note 4}	
-	-	-	-	-	-	-	-	-	-	-	-	-	-	○	○	-	-	-	-	-	-	KD8133★ ^{Note 4}	
-	-	-	-	-	-	-	-	-	-	-	-	-	-	○	○	-	-	-	-	-	-	KD8134★ ^{Note 4}	
-	-	-	-	-	-	-	-	-	-	-	-	-	-	○	○	-	-	-	-	-	-	KD8135★ ^{Note 4}	
-	-	-	-	-	-	-	-	-	-	-	-	-	-	○	○	-	-	-	-	-	-	KD8136★ ^{Note 4}	
-	-	-	-	-	-	-	-	-	-	-	-	-	-	○	○	-	-	-	-	-	-	KD8137★ ^{Note 4}	
-	-	-	-	-	-	-	-	-	-	-	-	-	-	○	○	-	-	-	-	-	-	KD8138★ ^{Note 4}	
-	-	-	-	-	-	-	-	-	-	-	-	-	-	○	○	◎	-	-	-	-	-	KD8132☆ ^{Note 5}	
-	-	-	-	-	-	-	-	-	-	-	-	-	-	○	○	◎	-	-	-	-	-	KD8133☆ ^{Note 5}	
-	-	-	-	-	-	-	-	-	-	-	-	-	-	○	○	◎	-	-	-	-	-	KD8134☆ ^{Note 5}	
-	-	-	-	-	-	-	-	-	-	-	-	-	-	○	○	◎	-	-	-	-	-	KD8135☆ ^{Note 5}	
-	-	-	-	-	-	-	-	-	-	-	-	-	-	○	○	◎	-	-	-	-	-	KD8136☆ ^{Note 5}	
-	-	-	-	-	-	-	-	-	-	-	-	-	-	○	○	◎	-	-	-	-	-	KD8137☆ ^{Note 5}	
-	-	-	-	-	-	-	-	-	-	-	-	-	-	○	○	◎	-	-	-	-	-	KD8138☆ ^{Note 5}	
-	-	-	-	-	-	-	-	-	-	-	-	-	-	-	-	-	-	-	-	-	-	KD821AH ^{Note 3}	
-	-	-	-	-	-	-	-	-	-	-	-	-	-	-	-	-	-	-	-	-	-	KD821AHW ^{Note 3}	

Metal Detector and Rejector Combinations



Note 3 : Cannot be connected to electric-driven rejectors.

Note 6 : ◇ A, B, G, H=200
◇ C, J=60

Note 7 : ◇ A, B, D, E, G, H, K, L=200
◇ C, F, J, M=60

Page				10,11	12 to 15	10,11	12 to 15	10	12,13	10,11	12 to 15	10,11	12 to 15	10	12,13	16	16	16												
Rejection method				Flipper																										
Machine conditions				Painted					SUS304																					
Exterior																														
Protection class				IP30																										
Belt width (mm)				160			250			400			160			250			400			120			220			350		
Maximum product height (mm)				Note 6	Note 7	200	500	Note 6	Note 7	200	500	Note 6	Note 7	200	500	60	200	350	500											
Machine conditions				Rejector Model																										
Exterior	Protection class	Belt width (mm)	Line heights (mm)	Metal Detector Model	KW4132◇FA (3-way) (Note 3)	KW4232◇FA (2-way) (Note 3)	KW4133◇FA (3-way) (Note 3)	KW4233◇FA (2-way) (Note 3)	KW4134◇FA (3-way)	KW4234◇FA (2-way)	KW4132◇PA (3-way) (Note 3)	KW4232◇PA (2-way) (Note 3)	KW4133◇PA (3-way) (Note 3)	KW4233◇PA (2-way) (Note 3)	KW4134◇PA (3-way)	KW4234◇PA (2-way)	KFA4102AW (3-way)	KFA4103AW (3-way)	KFA4104AW (3-way)											
Painted	IP30	230	50	KDB3005AHF	△	△	○	○	○	○	△	△	○	○	○	○	○	○	○	○										
			80	KDB3008AHF	△	△	○	○	○	○	○	△	△	○	○	○	○	○	○	○	○									
			120	KDB3012AHF	△	△	○	○	○	○	○	△	△	○	○	○	○	○	○	○	○									
			150	KDB3015AHF	△	△	○	○	○	○	○	△	△	○	○	○	○	○	○	○	○									
SUS304	IP66		180	KDB3018AHF	△	△	○	○	○	○	○	△	△	○	○	○	○	○	○	○										
			50	KDB3005AHW	△	△	△	△	△	△	△	△	△	△	△	△	△	△	△	△	△									
			80	KDB3008AHW	△	△	△	△	△	△	△	△	△	△	△	△	△	△	△	△	△									
			120	KDB3012AHW	△	△	△	△	△	△	△	△	△	△	△	△	△	△	△	△	△									
SUS304	IP66	150	KDB3015AHW	△	△	△	△	△	△	△	△	△	△	△	△	△	△	△	△											
		180	KDB3018AHW	△	△	△	△	△	△	△	△	△	△	△	△	△	△	△	△											
		50	KDB3005AHFT	△	△	○	○	○	○	○	△	△	○	○	○	○	○	○	○	○										
		80	KDB3008AHFT	△	△	○	○	○	○	○	△	△	○	○	○	○	○	○	○	○										
Painted	IP30	380	120	KDB3012AHFT	△	△	○	○	○	○	△	△	○	○	○	○	○	○	○											
			150	KDB3015AHFT	△	△	○	○	○	○	○	△	△	○	○	○	○	○	○	○										
			180	KDB3018AHFT	△	△	○	○	○	○	○	△	△	○	○	○	○	○	○	○										
			50	KDB3005AHWT	△	△	△	△	△	△	△	△	△	△	△	△	△	△	△	△	△									
SUS304	IP66		80	KDB3008AHWT	△	△	△	△	△	△	△	△	△	△	△	△	△	△	△	△										
			120	KDB3012AHWT	△	△	△	△	△	△	△	△	△	△	△	△	△	△	△	△										
			150	KDB3015AHWT	△	△	△	△	△	△	△	△	△	△	△	△	△	△	△	△										
			180	KDB3018AHWT	△	△	△	△	△	△	△	△	△	△	△	△	△	△	△	△										
Painted	IP30	430	100	KDB4510AHFT	△	△	○	○	○	○	△	△	○	○	○	○	○	○	○											
			130	KDB4513AHFT	△	△	○	○	○	○	○	△	△	○	○	○	○	○	○	○										
			150	KDB4515AHFT	△	△	○	○	○	○	○	△	△	○	○	○	○	○	○	○										
			180	KDB4518AHFT	△	△	○	○	○	○	○	△	△	○	○	○	○	○	○	○										
SUS304	IP66		100	KDB4510AHWT	△	△	△	△	△	△	△	△	△	△	△	△	△	△	△	△										
			130	KDB4513AHWT	△	△	△	△	△	△	△	△	△	△	△	△	△	△	△	△										
			150	KDB4515AHWT	△	△	△	△	△	△	△	△	△	△	△	△	△	△	△	△										
			180	KDB4518AHWT	△	△	△	△	△	△	△	△	△	△	△	△	△	△	△	△										

Metal Detector and Rejector Combinations MS Dual Wave

Page				23	24	24	23	24	24	23	23	24	24	23	24	23	25	25				
Rejection method				Up and Out																		
Machine conditions	Exterior			Painted						SUS304						Painted	SUS304					
	Protection class			IP30																		
	Belt width (mm)			100			160			250			100			160			250			
Maximum product height (mm)				15	140	60	15	180	100	30	15	140	60	15	180	100	250	30				
Machine conditions				Rejector Model																		
Exterior	Protection class	Belt width (mm)	Line heights (mm)	Metal Detector Model	KW4603MFA (3-way)	KW4610JFA (2-way)	KW4610KFA (2-way)	KW4610MFA (3-way)	KW4612JFA (2-way)	KW4612KFA (2-way)	KW4612MFA (3-way)	KW4603MPFA (3-way)	KW4610JPA (2-way)	KW4610KPA (2-way)	KW4610MPA (3-way)	KW4612JPA (2-way)	KW4612KPA (2-way)	KW4612MPA (3-way)	KW4639LFAC (3-way)	KW4639LPAC (3-way)		
Painted	IP30	230	50	KDB3005AHF	-	△	△	△	⊙	○	○	-	△	△	△	○	○	○	○	○	○	
			80	KDB3008AHF	-	△	△	△	⊙	○	○	-	△	△	△	○	○	○	○	○	○	○
			120	KDB3012AHF	-	△	△	△	⊙	○	○	-	△	△	△	○	○	○	○	○	○	○
			150	KDB3015AHF	-	△	△	△	⊙	○	○	-	△	△	△	○	○	○	○	○	○	○
SUS304	IP66		180	KDB3018AHF	-	△	△	△	⊙	○	○	-	△	△	△	○	○	○	○	○	○	○
			50	KDB3005AHW	-	△	△	△	△	△	△	-	△	△	△	△	△	△	△	△	△	△
			80	KDB3008AHW	-	△	△	△	△	△	△	-	△	△	△	△	△	△	△	△	△	△
			120	KDB3012AHW	-	△	△	△	△	△	△	-	△	△	△	△	△	△	△	△	△	△
Painted	IP30	380	150	KDB3015AHW	-	△	△	△	△	△	-	△	△	△	△	△	△	△	△	△	△	
			180	KDB3018AHW	-	△	△	△	△	△	△	-	△	△	△	△	△	△	△	△	△	△
			50	KDB4505AHF	-	-	-	-	△	△	△	-	-	-	-	△	△	△	△	△	△	△
			80	KDB4510AHF	-	-	-	-	△	△	△	-	-	-	-	△	△	△	△	△	△	△
SUS304	IP66		120	KDB4513AHF	-	-	-	-	△	△	△	-	-	-	-	△	△	△	△	△	△	
			150	KDB4515AHF	-	-	-	-	△	△	△	-	-	-	-	△	△	△	△	△	△	
			180	KDB4518AHF	-	-	-	-	△	△	△	-	-	-	-	△	△	△	△	△	△	
			50	KDB4505AHW	-	-	-	-	△	△	△	-	-	-	-	△	△	△	△	△	△	
Painted	IP30	280	80	KDB4510AHW	-	-	-	-	△	△	△	-	-	-	-	△	△	△	△	△		
			120	KDB4513AHW	-	-	-	-	△	△	△	-	-	-	-	△	△	△	△	△		
			150	KDB4515AHW	-	-	-	-	△	△	△	-	-	-	-	△	△	△	△	△		
			180	KDB4518AHW	-	-	-	-	△	△	△	-	-	-	-	△	△	△	△	△		
SUS304	IP66		100	KDB4510AHW	-	-	-	-	△	△	△	-	-	-	-	△	△	△	△	△		
			130	KDB4513AHW	-	-	-	-	△	△	△	-	-	-	-	△	△	△	△	△		
			150	KDB4515AHW	-	-	-	-	△	△	△	-	-	-	-	△	△	△	△	△		
			180	KDB4518AHW	-	-	-	-	△	△	△	-	-	-	-	△	△	△	△	△		
Painted	IP30	430	100	KDB3005AHFT	-	△	△	△	⊙	○	○	-	△	△	△	○	○	○	○	○		
			130	KDB3008AHFT	-	△	△	△	⊙	○	○	-	△	△	△	○	○	○	○	○		
			150	KDB3012AHFT	-	△	△	△	⊙	○	○	-	△	△	△	○	○	○	○	○		
			180	KDB3015AHFT	-	△	△	△	⊙	○	○	-	△	△	△	○	○	○	○	○		
SUS304	IP66		100	KDB3018AHFT	-	△	△	△	⊙	○	○	-	△	△	△	○	○	○	○	○		
			130	KDB3005AHWT	-	△	△	△	△	△	△	-	△	△	△	△	△	△	△	△		
			150	KDB3008AHWT	-	△	△	△	△	△	△	-	△	△	△	△	△	△	△	△		
			180	KDB3012AHWT	-	△	△	△	△	△	△	-	△	△	△	△	△	△	△	△		
Painted	IP30	430	100	KDB3015AHWT	-	△	△	△	△	△	-	△	△	△	△	△	△	△	△			
			130	KDB3018AHWT	-	△	△	△	△	△	△	-	△	△	△	△	△	△	△			
			150	KDB4510AHFT	-	△	△	△	⊙	○	○	-	△	△	△	○	○	○	○			
			180	KDB4513AHFT	-	△	△	△	⊙	○	○	-	△	△	△	○	○	○	○			
SUS304	IP66		100	KDB4518AHFT	-	△	△	△	⊙	○	○	-	△	△	△	○	○	○	○			
			130	KDB4510AHWT	-	△	△	△	△	△	△	-	△	△	△	△	△	△	△			
			150	KDB4513AHWT	-	△	△	△	△	△	△	-	△	△	△	△	△	△	△			
			180	KDB4515AHWT	-	△	△	△	△	△	△	-	△	△	△	△	△	△	△			

Rejector Combinations

- ◎ : Optimum combination. (Anritsu's recommendation) ○ : Recommended standard combination.
 △ : Combination is allowed; however, conveyor width, exterior, and conveyable weight, etc. differ.
 - : Combination is not allowed. Leg : Required to modify the rejector to be self-standing type.

26		27		40		41		28		30		31		32		33		35,36		35		36		Page																				
Air Jet									Pusher							Carrier						Rejection method																						
Painted, SUS304									SUS304		Painted, SUS304			Painted		SUS304		Painted SUS304 IP30 IP66		Painted		SUS304		Exterior		Machine conditions																		
IP30				IP66					IP30			IP66		IP30		IP53		Protection class																										
100		160		160		250		-		-		230		100		160		250		500		600		550			200		150		Belt width (mm)													
30		160		160		180		160		160			600		300		Maximum product height (mm)																											
KW4803CF/CP (2-way)		KW4803BF/BP (2-way)		KW4805BF/BP (2-way) (3-way)		KW4806BF/BP (2-way) (3-way)		KW4812BF/BP (2-way) (3-way)		KW483BW (2-way)		KW483CW (2-way)		K483DW (2-way)		KW4866BW (2-way)		KW4503BF/BP (2-way)		KW4505BF/BP (2-way)		KW4506BF/BP (2-way)		KW4512BF/BP (2-way)		KW451A (2-way)		KRA4504AF (2-way)		KW4501LWAC (2-way)		KW4501MWAC (2-way)		K426D/KRA4426W (5-way)		KRA4416C/CB (3-way)		K416DB4 (3-way)		KRA4416W/WB (3-way)		Rejector Model		Metal Detector Model
-	-	△Leg	△Leg	○Leg	-	-	-	○	△Leg	-	△Leg	△Leg	◎Leg	-	-	-	-	-	-	△	△	△	△	△	△	KDB3005AHF																		
-	-	△Leg	△Leg	○Leg	-	-	-	○	△Leg	-	△Leg	△Leg	◎Leg	-	-	-	-	-	-	△	△	△	△	△	△	KDB3008AHF																		
-	-	△Leg	△Leg	○Leg	-	-	-	○	△Leg	-	△Leg	△Leg	◎Leg	-	-	-	-	-	-	△	△	△	△	△	△	KDB3012AHF																		
-	-	△Leg	△Leg	○Leg	-	-	-	○	△Leg	-	△Leg	△Leg	◎Leg	-	-	-	-	-	-	△	△	△	△	△	△	KDB3015AHF																		
-	-	△Leg	△Leg	○Leg	-	-	-	○	△Leg	-	△Leg	△Leg	◎Leg	-	-	-	-	-	-	△	△	△	△	△	△	KDB3018AHF																		
-	-	△Leg	△Leg	△Leg	-	-	-	○	○Leg	-	△Leg	△Leg	△Leg	-	-	-	-	-	-	△	△	△	△	△	△	KDB3005AHW																		
-	-	△Leg	△Leg	△Leg	-	-	-	○	○Leg	-	△Leg	△Leg	△Leg	-	-	-	-	-	-	△	△	△	△	△	△	KDB3008AHW																		
-	-	△Leg	△Leg	△Leg	-	-	-	○	○Leg	-	△Leg	△Leg	△Leg	-	-	-	-	-	-	△	△	△	△	△	△	KDB3012AHW																		
-	-	△Leg	△Leg	△Leg	-	-	-	○	○Leg	-	△Leg	△Leg	△Leg	-	-	-	-	-	-	△	△	△	△	△	△	KDB3015AHW																		
-	-	△Leg	△Leg	△Leg	-	-	-	○	○Leg	-	△Leg	△Leg	△Leg	-	-	-	-	-	-	△	△	△	△	△	△	KDB3018AHW																		
-	-	-	-	△Leg	-	-	-	○	△Leg	-	-	-	-	-	-	-	-	-	-	-	-	-	-	-	-	KDB4505AHF																		
-	-	-	-	△Leg	-	-	-	○	△Leg	-	-	-	-	-	-	-	-	-	-	-	-	-	-	-	-	KDB4510AHF																		
-	-	-	-	△Leg	-	-	-	○	△Leg	-	-	-	-	-	-	-	-	-	-	-	-	-	-	-	-	KDB4513AHF																		
-	-	-	-	△Leg	-	-	-	○	△Leg	-	-	-	-	-	-	-	-	-	-	-	-	-	-	-	-	KDB4515AHF																		
-	-	-	-	△Leg	-	-	-	○	△Leg	-	-	-	-	-	-	-	-	-	-	-	-	-	-	-	-	KDB4518AHF																		
-	-	-	-	△Leg	-	-	-	○	△Leg	-	-	-	-	-	-	-	-	-	-	-	-	-	-	-	-	KDB4505AHW																		
-	-	-	-	△Leg	-	-	-	○	△Leg	-	-	-	-	-	-	-	-	-	-	-	-	-	-	-	-	KDB4510AHW																		
-	-	-	-	△Leg	-	-	-	○	△Leg	-	-	-	-	-	-	-	-	-	-	-	-	-	-	-	-	KDB4513AHW																		
-	-	-	-	△Leg	-	-	-	○	△Leg	-	-	-	-	-	-	-	-	-	-	-	-	-	-	-	-	KDB4515AHW																		
-	-	-	-	△Leg	-	-	-	○	△Leg	-	-	-	-	-	-	-	-	-	-	-	-	-	-	-	-	KDB4518AHW																		
-	-	△Leg	△Leg	○Leg	-	-	-	○	△Leg	-	△Leg	△Leg	◎Leg	-	-	-	-	-	-	△	△	△	△	△	△	KDB3005AHFT																		
-	-	△Leg	△Leg	○Leg	-	-	-	○	△Leg	-	△Leg	△Leg	◎Leg	-	-	-	-	-	-	△	△	△	△	△	△	KDB3008AHFT																		
-	-	△Leg	△Leg	○Leg	-	-	-	○	△Leg	-	△Leg	△Leg	◎Leg	-	-	-	-	-	-	△	△	△	△	△	△	KDB3012AHFT																		
-	-	△Leg	△Leg	○Leg	-	-	-	○	△Leg	-	△Leg	△Leg	◎Leg	-	-	-	-	-	-	△	△	△	△	△	△	KDB3015AHFT																		
-	-	△Leg	△Leg	○Leg	-	-	-	○	△Leg	-	△Leg	△Leg	◎Leg	-	-	-	-	-	-	△	△	△	△	△	△	KDB3018AHFT																		
-	-	△Leg	△Leg	△Leg	-	-	-	○	○Leg	-	△Leg	△Leg	△Leg	-	-	-	-	-	-	△	△	△	△	△	△	KDB3005AHWT																		
-	-	△Leg	△Leg	△Leg	-	-	-	○	○Leg	-	△Leg	△Leg	△Leg	-	-	-	-	-	-	△	△	△	△	△	△	KDB3008AHWT																		
-	-	△Leg	△Leg	△Leg	-	-	-	○	○Leg	-	△Leg	△Leg	△Leg	-	-	-	-	-	-	△	△	△	△	△	△	KDB3012AHWT																		
-	-	△Leg	△Leg	△Leg	-	-	-	○	○Leg	-	△Leg	△Leg	△Leg	-	-	-	-	-	-	△	△	△	△	△	△	KDB3015AHWT																		
-	-	△Leg	△Leg	△Leg	-	-	-	○	○Leg	-	△Leg	△Leg	△Leg	-	-	-	-	-	-	△	△	△	△	△	△	KDB3018AHWT																		
-	-	△Leg	△Leg	○Leg	-	-	-	○	△Leg	-	△Leg	△Leg	◎Leg	-	-	-	-	-	-	△	△	△	△	△	△	KDB4510AHFT																		
-	-	△Leg	△Leg	○Leg	-	-	-	○	△Leg	-	△Leg	△Leg	◎Leg	-	-	-	-	-	-	△	△	△	△	△	△	KDB4513AHFT																		
-	-	△Leg	△Leg	○Leg	-	-	-	○	△Leg	-	△Leg	△Leg	◎Leg	-	-	-	-	-	-	△	△	△	△	△	△	KDB4515AHFT																		
-	-	△Leg	△Leg	○Leg	-	-	-	○	△Leg	-	△Leg	△Leg	◎Leg	-	-	-	-	-	-	△	△	△	△	△	△	KDB4518AHFT																		
-	-	△Leg	△Leg	△Leg	-	-	-	○	○Leg	-	△Leg	△Leg	△Leg	-	-	-	-	-	-	△	△	△	△	△	△	KDB4510AHWT																		
-	-	△Leg	△Leg	△Leg	-	-	-	○	○Leg	-	△Leg	△Leg	△Leg	-	-	-	-	-	-	△	△	△	△	△	△	KDB4513AHWT																		
-	-	△Leg	△Leg	△Leg	-	-	-	○	○Leg	-	△Leg	△Leg	△Leg	-	-	-	-	-	-	△	△	△	△	△	△	KDB4515AHWT																		
-	-	△Leg	△Leg	△Leg	-	-	-	○	○Leg	-	△Leg	△Leg	△Leg	-	-	-	-	-	-	△	△	△	△	△	△	KDB4518AHWT																		

Metal Detector and Rejector Combinations ME11

Note 1 : If C, F, J or M is selected for ◊, the combination symbol is "—".

Note 2 : If B, C, H or J is selected for ◊, the combination symbol is "△".

Note 3 : Cannot be connected to electric-driven rejectors.

Note 6 : ◊ A, B, G, H=200
◊ C, J=60

Page				10,11	12 to 15	10,11	12 to 15	10	12,13	10,11	12 to 15	10,11	12 to 15	10	12,13	16	16	16												
Rejection method				Flipper																										
Machine conditions				Painted							SUS304																			
Exterior																														
Protection class				IP30																										
Belt width (mm)				160			250			400			160			250			400			120			220			350		
Maximum product height (mm)				Note 6	Note 7	200	500	Note 6	Note 7	200	500	Note 6	Note 7	200	500	60	220	350												
Machine conditions				Rejector Model																										
Exterior	Protection class	Belt width (mm)	Line heights (mm)	Metal Detector Model	KWA132 ◊ FA (3-way) (Note 3)	KWA232 ◊ FA (2-way) (Note 3)	KWA133 ◊ FA (3-way) (Note 3)	KWA233 ◊ FA (2-way) (Note 3)	KWA134 ◊ FA (3-way) (Note 3)	KWA234 ◊ FA (2-way) (Note 3)	KWA132 ◊ PA (3-way) (Note 3)	KWA232 ◊ PA (2-way) (Note 3)	KWA133 ◊ PA (3-way) (Note 3)	KWA233 ◊ PA (2-way) (Note 3)	KWA134 ◊ PA (3-way) (Note 3)	KWA234 ◊ PA (2-way) (Note 3)	KFA4102AW (3-way)	KFA4103AW (3-way)	KFA4104AW (3-way)											
Painted	IP30	160	50	KDS2105ABF	○	○	○	○	△	△	○	○	○	○	△	△	○	○	△	△										
			80	KDS2108ABF	○	○	○	○	△	△	○	○	○	○	△	△	○	○	△	△										
			100	KDS2110ABF	○	○	○	○	△	△	○	○	○	○	△	△	○	○	△	△										
SUS304	IP66	140	45	KDS2105ABW	△	△	△	△	△	△	△	△	△	△	△	△	△	△	△											
			75	KDS2108ABW	△	△	△	△	△	△	△	△	△	△	△	△	△	△	△	△										
			95	KDS2110ABW	△	△	△	△	△	△	△	△	△	△	△	△	△	△	△	△										
Painted	IP30	250	50	KDS3005ABF	△	△	○	○	○	○	△	△	○	○	○	○	○	○	○											
			80	KDS3008ABF	△	△	○	○	○	○	△	△	○	○	○	○	○	○	○	○										
			100	KDS3010ABF	△	△	○	○	○	○	△	△	○	○	○	○	○	○	○	○										
			120	KDS3012ABF	△	△	○	○	○	○	△	△	○	○	○	○	○	○	○	○										
			150	KDS3015ABF	△	△	○	○	○	○	△	△	○	○	○	○	○	○	○	○										
SUS304	IP66	230	45	KDS3005ABW	△	△	△	△	△	△	△	△	△	△	△	△	△	△	△											
			75	KDS3008ABW	△	△	△	△	△	△	△	△	△	△	△	△	△	△	△	△										
			95	KDS3010ABW	△	△	△	△	△	△	△	△	△	△	△	△	△	△	△	△										
			115	KDS3012ABW	△	△	△	△	△	△	△	△	△	△	△	△	△	△	△	△										
			145	KDS3015ABW	△	△	△	△	△	△	△	△	△	△	△	△	△	△	△	△										
Painted	IP30	350	50	KDS4505ABF	—	—	△	△	○	○	△	△	△	△	○	○	—	—	△	△										
			100	KDS4510ABF	—	—	△	△	○	○	△	△	△	△	○	○	—	—	△	△										
			130	KDS4513ABF	—	—	△	△	○	○	△	△	△	△	○	○	—	—	△	△										
			150	KDS4515ABF	—	—	△	△	○	○	△	△	△	△	○	○	—	—	△	△										
			180	KDS4518ABF	—	—	△	△	○	○	△	△	△	△	○	○	—	—	△	△										
			45	KDS4505ABW	—	—	△	△	△	△	△	△	△	△	△	△	△	△	△	△										
			95	KDS4510ABW	—	—	△	△	△	△	△	△	△	△	△	△	△	△	△	△										
			125	KDS4513ABW	—	—	△	△	△	△	△	△	△	△	△	△	△	△	△	△										
SUS304	IP66	350	145	KDS4515ABW	—	—	△	△	△	△	△	△	△	△	△	△	△	△												
			175	KDS4518ABW	—	—	△	△	△	△	△	△	△	△	△	△	△	△	△											
			50	KDS2105ABFT	○	○	○	○	△	△	○	○	○	○	○	○	△	△	○	○	△	△								
			80	KDS2108ABFT	○	○	○	○	△	△	○	○	○	○	○	○	△	△	○	○	△	△								
			100	KDS2110ABFT	○	○	○	○	△	△	○	○	○	○	○	○	△	△	○	○	△	△								
SUS304	IP66	185	50	KDS2105ABWT	△	△	△	△	△	△	△	△	△	△	△	△	△	△	△	△										
			80	KDS2108ABWT	△	△	△	△	△	△	△	△	△	△	△	△	△	△	△	△	△									
			100	KDS2110ABWT	△	△	△	△	△	△	△	△	△	△	△	△	△	△	△	△	△									
Painted	IP30	280	50	KDS3005ABFT	○	○	○	○	△	△	○	○	○	○	△	△	○	○	△	△										
			80	KDS3008ABFT	○	○	○	○	△	△	○	○	○	○	○	○	△	△	○	○	△	△								
			100	KDS3010ABFT	○	○	○	○	△	△	○	○	○	○	○	○	△	△	○	○	△	△								
			120	KDS3012ABFT	○	○	○	○	△	△	○	○	○	○	○	○	△	△	○	○	△	△								
			150	KDS3015ABFT	○	○	○	○	△	△	○	○	○	○	○	○	△	△	○	○	△	△								
SUS304	IP66	275	50	KDS3005ABWT	△	△	△	△	△	△	△	△	△	△	△	△	△	△	△	△										
			80	KDS3008ABWT	△	△	△	△	△	△	△	△	△	△	△	△	△	△	△	△	△									
			100	KDS3010ABWT	△	△	△	△	△	△	△	△	△	△	△	△	△	△	△	△	△									
			120	KDS3012ABWT	△	△	△	△	△	△	△	△	△	△	△	△	△	△	△	△	△									
			150	KDS3015ABWT	△	△	△	△	△	△	△	△	△	△	△	△	△	△	△	△	△									
Painted	IP30	430	50	KDS4505ABFT	△	△	○	○	△	△	○	○	○	○	△	△	○	○	△	△										
			100	KDS4510ABFT	△	△	○	○	△	△	○	○	○	○	○	○	△	△	○	○	△	△								
			130	KDS4513ABFT	△	△	○	○	△	△	○	○	○	○	○	○	△	△	○	○	△	△								
			150	KDS4515ABFT	△	△	○	○	△	△	○	○	○	○	○	○	△	△	○	○	△	△								
			180	KDS4518ABFT	△	△	○	○	△	△	○	○	○	○	○	○	△	△	○	○	△	△								
SUS304	IP66	425	50	KDS4505ABWT	△	△	△	△	△	△	△	△	△	△	△	△	△	△	△	△										
			100	KDS4510ABWT	△	△	△	△	△	△	△	△	△	△	△	△	△	△	△	△	△									
			130	KDS4513ABWT	△	△	△	△	△	△	△	△	△	△	△	△	△	△	△	△	△									
			150	KDS4515ABWT	△	△	△	△	△	△	△	△	△	△	△	△	△	△	△	△	△									
			180	KDS4518ABWT	△	△	△	△	△	△	△	△	△	△	△	△	△	△	△	△	△									

Metal Detector and Rejector Combinations ME11

Page				23	24	24	23	24	24	23	23	24	24	23	24	23	25	25				
Rejection method				Up and Out																		
Machine conditions	Exterior			Painted									SUS304						Painted	SUS304		
	Protection class			IP30																		
	Belt width (mm)			100			160			250			100			160			250			
	Maximum product height (mm)			15	140	60	15	180	100	30	100	140	60	15	180	100	30					
Machine conditions				Rejector Model																		
Exterior	Protection class	Belt width (mm)	Line heights (mm)	Metal Detector Model	KW4603MFA (3-way)	KW4610JFA (2-way)	KW4610KFA (2-way)	KW4610MFA (3-way)	KW4612JFA (2-way)	KW4612KFA (2-way)	KW4612MFA (3-way)	KW4603MPA (3-way)	KW4610JPA (2-way)	KW4610KPA (2-way)	KW4610MPA (3-way)	KW4612JPA (2-way)	KW4612KPA (2-way)	KW4612MPA (3-way)	KW4639LFAC (3-way)	KW4639LPAC (3-way)		
Painted	IP30	160	50	KDS2105ABF	△	○	○	○	○	○	△	△	○	○	○	△	△	△	△	△	△	
			80	KDS2108ABF	△	○	○	○	○	○	○	△	△	○	○	○	△	△	△	△	△	△
			100	KDS2110ABF	△	○	○	○	○	○	△	△	○	○	○	△	△	△	△	△	△	△
SUS304	IP66	140	45	KDS2105ABW	△	△	△	△	△	△	△	△	△	△	△	△	△	△	△	△	△	
			75	KDS2108ABW	△	△	△	△	△	△	△	△	△	△	△	△	△	△	△	△	△	△
			95	KDS2110ABW	△	△	△	△	△	△	△	△	△	△	△	△	△	△	△	△	△	△
Painted	IP30	250	50	KDS3005ABF	-	△	△	△	○	○	△	-	△	△	△	○	○	△	△	△	△	
			80	KDS3008ABF	-	△	△	△	○	○	△	-	△	△	△	○	○	△	△	△	△	△
			100	KDS3010ABF	-	△	△	△	○	○	△	-	△	△	△	○	○	△	△	△	△	△
			120	KDS3012ABF	-	△	△	△	○	○	△	-	△	△	△	○	○	△	△	△	△	△
			150	KDS3015ABF	-	△	△	△	○	○	△	-	△	△	△	○	○	△	△	△	△	△
SUS304	IP66	230	45	KDS3005ABW	-	△	△	△	△	△	△	-	△	△	△	△	△	△	△	△	△	
			75	KDS3008ABW	-	△	△	△	△	△	△	-	△	△	△	△	△	△	△	△	△	△
			95	KDS3010ABW	-	△	△	△	△	△	△	-	△	△	△	△	△	△	△	△	△	△
			115	KDS3012ABW	-	△	△	△	△	△	△	-	△	△	△	△	△	△	△	△	△	△
			145	KDS3015ABW	-	△	△	△	△	△	△	-	△	△	△	△	△	△	△	△	△	△
Painted	IP30	350	50	KDS4505ABF	-	-	-	-	△	△	△	-	-	-	-	△	△	△	△	△		
			100	KDS4510ABF	-	-	-	-	△	△	△	-	-	-	-	△	△	△	△	△	△	
			130	KDS4513ABF	-	-	-	-	△	△	△	-	-	-	-	△	△	△	△	△	△	
			150	KDS4515ABF	-	-	-	-	△	△	△	-	-	-	-	△	△	△	△	△	△	
	SUS304	IP66	350	45	KDS4505ABW	-	-	-	-	△	△	△	-	-	-	-	△	△	△	△	△	
				95	KDS4510ABW	-	-	-	-	△	△	△	-	-	-	-	△	△	△	△	△	
				125	KDS4513ABW	-	-	-	-	△	△	△	-	-	-	-	△	△	△	△	△	
				145	KDS4515ABW	-	-	-	-	△	△	△	-	-	-	-	△	△	△	△	△	
Painted	IP30	190	50	KDS2105ABFT	△	○	△	△	○	△	-	△	○	△	△	○	△	-	-	-		
			80	KDS2108ABFT	△	○	△	△	○	△	-	△	○	△	△	○	△	-	-	-		
			100	KDS2110ABFT	△	○	△	△	○	△	-	△	○	△	△	○	△	-	-	-		
SUS304	IP66	185	50	KDS2105ABWT	△	△	△	△	△	△	-	△	△	△	△	△	△	-	-	-		
			80	KDS2108ABWT	△	△	△	△	△	△	-	△	△	△	△	△	△	△	-	-		
			100	KDS2110ABWT	△	△	△	△	△	△	-	△	△	△	△	△	△	△	-	-		
Painted	IP30	280	50	KDS3005ABFT	-	○	△	-	○	△	-	-	○	△	-	○	△	-	-			
			80	KDS3008ABFT	-	○	△	-	○	△	-	-	○	△	-	○	△	-	-			
			100	KDS3010ABFT	-	○	△	-	○	△	-	-	○	△	-	○	△	-	-			
			120	KDS3012ABFT	-	○	△	-	○	△	-	-	○	△	-	○	△	-	-			
			150	KDS3015ABFT	-	○	△	-	○	△	-	-	○	△	-	○	△	-	-			
SUS304	IP66	275	50	KDS3005ABWT	-	△	△	-	△	△	-	-	△	△	-	△	△	-	-			
			80	KDS3008ABWT	-	△	△	-	△	△	-	-	△	△	-	△	△	-	-			
			100	KDS3010ABWT	-	△	△	-	△	△	-	-	△	△	-	△	△	-	-			
			120	KDS3012ABWT	-	△	△	-	△	△	-	-	△	△	-	△	△	-	-			
			150	KDS3015ABWT	-	△	△	-	△	△	-	-	△	△	-	△	△	-	-			
Painted	IP30	430	50	KDS4505ABFT	-	-	-	-	-	-	-	-	-	-	-	-	-	-	-			
			100	KDS4510ABFT	-	-	-	-	-	-	-	-	-	-	-	-	-	-	-			
			130	KDS4513ABFT	-	-	-	-	-	-	-	-	-	-	-	-	-	-	-			
			150	KDS4515ABFT	-	-	-	-	-	-	-	-	-	-	-	-	-	-	-			
SUS304	IP66	425	50	KDS4505ABWT	-	-	-	-	-	-	-	-	-	-	-	-	-	-	-			
			100	KDS4510ABWT	-	-	-	-	-	-	-	-	-	-	-	-	-	-	-			
			130	KDS4513ABWT	-	-	-	-	-	-	-	-	-	-	-	-	-	-	-			
			150	KDS4515ABWT	-	-	-	-	-	-	-	-	-	-	-	-	-	-	-			
SUS304	IP66	180	50	KDS4518ABWT	-	-	-	-	-	-	-	-	-	-	-	-	-	-				
			180	KDS4518ABWT	-	-	-	-	-	-	-	-	-	-	-	-	-	-				

Rejector Combinations

- ◎ : Optimum combination. (Anritsu's recommendation) ○ : Recommended standard combination.
 △ : Combination is allowed; however, conveyor width, exterior, and conveyable weight, etc. differ.
 - : Combination is not allowed. Leg : Required to modify the rejector to be self-standing type.

26	26	27	27	27	40	40	41	28	30	30	31	31	32	32	33	33	35,36	35	35	36	Page	
Air Jet									Pusher							Carrier				Rejection method		
Painted, SUS304									Painted, SUS304			Painted		SUS304		Painted SUS304 IP30 IP53	Painted	SUS304	Exterior	Machine conditions		
IP30					IP66				IP30			IP66		IP30	IP53	Protection class						
100	160	160	250	-	-	-	230	100	160	250	500	600	550	200	150	Belt width (mm)						
30	160	160	180	180	180	160	160	160	600	300	Maximum product height (mm)											
KW4803CF/CP (2-way)	KW4803BF/BP (2-way)	KW4805BF/BP (2-way) (3-way)	KW4806BF/BP (2-way) (3-way)	KW4812BF/BP (2-way) (3-way)	KW483BW (2-way)	KW483CW (2-way)	K483DW (2-way)	KW4866BW (2-way)	KW4503BF/BP (2-way)	KW4505BF/BP (2-way)	KW4506BF/BP (2-way)	KW4512BF/BP (2-way)	KW451A (2-way)	KRA4504AF (2-way)	KW4501LWAC (2-way)	KW4501MWAC (2-way)	K426D/KRA442BW (5-way)	KRA4416C/CB (3-way)	K416DB4 (3-way)	KRA4416W/WB (3-way)	Rejector Model	Metal Detector Model
○ Leg	○ Leg	○ Leg	○ Leg	○ Leg	○	-	-	△ Leg	△ Leg	○ Leg	○ Leg	○ Leg	○ Leg	-	-	-	-	○	○	△	KDS2105ABF	
-	○ Leg	○ Leg	○ Leg	○ Leg	○	-	-	△ Leg	△ Leg	○ Leg	○ Leg	○ Leg	○ Leg	-	-	-	-	○	○	△	KDS2108ABF	
-	○ Leg	○ Leg	○ Leg	○ Leg	○	-	-	△ Leg	△ Leg	○ Leg	○ Leg	○ Leg	○ Leg	-	-	-	-	○	○	△	KDS2110ABF	
△ Leg	△ Leg	△ Leg	△ Leg	△ Leg	○	-	-	○ Leg	△ Leg	△ Leg	△ Leg	△ Leg	△ Leg	-	-	-	-	△	△	○	KDS2105ABW	
-	△ Leg	△ Leg	△ Leg	△ Leg	○	-	-	○ Leg	△ Leg	△ Leg	△ Leg	△ Leg	△ Leg	-	-	-	-	△	△	○	KDS2108ABW	
-	△ Leg	△ Leg	△ Leg	△ Leg	○	-	-	○ Leg	△ Leg	△ Leg	△ Leg	△ Leg	△ Leg	-	-	-	-	△	△	○	KDS2110ABW	
-	-	△ Leg	△ Leg	○ Leg	○	-	-	△ Leg	-	△ Leg	○ Leg	○ Leg	-	-	-	-	-	△	△	△	KDS3005ABF	
-	-	△ Leg	△ Leg	○ Leg	○	-	-	△ Leg	-	△ Leg	○ Leg	○ Leg	-	-	-	-	-	△	△	△	KDS3008ABF	
-	-	△ Leg	△ Leg	○ Leg	○	-	-	△ Leg	-	△ Leg	○ Leg	○ Leg	-	-	-	-	-	△	△	△	KDS3010ABF	
-	-	△ Leg	△ Leg	○ Leg	○	-	-	△ Leg	-	△ Leg	○ Leg	○ Leg	-	-	-	-	-	△	△	△	KDS3012ABF	
-	-	△ Leg	△ Leg	○ Leg	○	-	-	△ Leg	-	△ Leg	○ Leg	○ Leg	-	-	-	-	-	△	△	△	KDS3015ABF	
-	-	△ Leg	△ Leg	○ Leg	○	-	-	△ Leg	-	△ Leg	○ Leg	○ Leg	-	-	-	-	-	△	△	△	KDS3018ABF	
-	-	△ Leg	△ Leg	○ Leg	○	-	-	○ Leg	-	△ Leg	△ Leg	△ Leg	-	-	-	-	-	△	△	△	KDS3005ABW	
-	-	△ Leg	△ Leg	○ Leg	○	-	-	○ Leg	-	△ Leg	△ Leg	△ Leg	-	-	-	-	-	△	△	△	KDS3008ABW	
-	-	△ Leg	△ Leg	○ Leg	○	-	-	○ Leg	-	△ Leg	△ Leg	△ Leg	-	-	-	-	-	△	△	△	KDS3010ABW	
-	-	△ Leg	△ Leg	○ Leg	○	-	-	○ Leg	-	△ Leg	△ Leg	△ Leg	-	-	-	-	-	△	△	△	KDS3012ABW	
-	-	△ Leg	△ Leg	○ Leg	○	-	-	○ Leg	-	△ Leg	△ Leg	△ Leg	-	-	-	-	-	△	△	△	KDS3015ABW	
-	-	△ Leg	△ Leg	○ Leg	○	-	-	○ Leg	-	△ Leg	△ Leg	△ Leg	-	-	-	-	-	△	△	△	KDS3018ABW	
-	-	-	-	△ Leg	○	-	-	△ Leg	-	-	-	-	-	-	-	-	-	-	-	-	KDS4505ABF	
-	-	-	-	△ Leg	○	-	-	△ Leg	-	-	-	-	-	-	-	-	-	-	-	-	KDS4510ABF	
-	-	-	-	△ Leg	○	-	-	△ Leg	-	-	-	-	-	-	-	-	-	-	-	-	KDS4513ABF	
-	-	-	-	△ Leg	○	-	-	△ Leg	-	-	-	-	-	-	-	-	-	-	-	-	KDS4515ABF	
-	-	-	-	△ Leg	○	-	-	△ Leg	-	-	-	-	-	-	-	-	-	-	-	-	KDS4518ABF	
-	-	-	-	△ Leg	○	-	-	△ Leg	-	-	-	-	-	-	-	-	-	-	-	-	KDS4505ABW	
-	-	-	-	△ Leg	○	-	-	△ Leg	-	-	-	-	-	-	-	-	-	-	-	-	KDS4510ABW	
-	-	-	-	△ Leg	○	-	-	△ Leg	-	-	-	-	-	-	-	-	-	-	-	-	KDS4513ABW	
-	-	-	-	△ Leg	○	-	-	△ Leg	-	-	-	-	-	-	-	-	-	-	-	-	KDS4515ABW	
-	-	-	-	△ Leg	○	-	-	△ Leg	-	-	-	-	-	-	-	-	-	-	-	-	KDS4518ABW	
-	○ Leg	○ Leg	○ Leg	○ Leg	○	-	-	○ Leg	○ Leg	○ Leg	○ Leg	○ Leg	○ Leg	-	-	-	-	○	○	○	KDS2105ABFT	
-	○ Leg	○ Leg	○ Leg	○ Leg	○	-	-	○ Leg	○ Leg	○ Leg	○ Leg	○ Leg	○ Leg	-	-	-	-	○	○	○	KDS2108ABFT	
-	○ Leg	○ Leg	○ Leg	○ Leg	○	-	-	○ Leg	○ Leg	○ Leg	○ Leg	○ Leg	○ Leg	-	-	-	-	○	○	○	KDS2110ABFT	
-	△ Leg	△ Leg	△ Leg	△ Leg	○	-	-	○ Leg	△ Leg	△ Leg	△ Leg	△ Leg	△ Leg	-	-	-	-	○	○	○	KDS2105ABWT	
-	△ Leg	△ Leg	△ Leg	△ Leg	○	-	-	○ Leg	△ Leg	△ Leg	△ Leg	△ Leg	△ Leg	-	-	-	-	○	○	○	KDS2108ABWT	
-	△ Leg	△ Leg	△ Leg	△ Leg	○	-	-	○ Leg	△ Leg	△ Leg	△ Leg	△ Leg	△ Leg	-	-	-	-	○	○	○	KDS2110ABWT	
-	△ Leg	△ Leg	△ Leg	△ Leg	○	-	-	△ Leg	△ Leg	△ Leg	△ Leg	△ Leg	△ Leg	-	-	-	-	○	○	○	KDS3005ABFT	
-	△ Leg	△ Leg	△ Leg	△ Leg	○	-	-	△ Leg	△ Leg	△ Leg	△ Leg	△ Leg	△ Leg	-	-	-	-	○	○	○	KDS3008ABFT	
-	△ Leg	△ Leg	△ Leg	△ Leg	○	-	-	△ Leg	△ Leg	△ Leg	△ Leg	△ Leg	△ Leg	-	-	-	-	○	○	○	KDS3010ABFT	
-	△ Leg	△ Leg	△ Leg	△ Leg	○	-	-	△ Leg	△ Leg	△ Leg	△ Leg	△ Leg	△ Leg	-	-	-	-	○	○	○	KDS3012ABFT	
-	△ Leg	△ Leg	△ Leg	△ Leg	○	-	-	△ Leg	△ Leg	△ Leg	△ Leg	△ Leg	△ Leg	-	-	-	-	○	○	○	KDS3015ABFT	
-	△ Leg	△ Leg	△ Leg	△ Leg	○	-	-	△ Leg	△ Leg	△ Leg	△ Leg	△ Leg	△ Leg	-	-	-	-	△	△	△	KDS3018ABFT	
-	△ Leg	△ Leg	△ Leg	△ Leg	○	-	-	△ Leg	△ Leg	△ Leg	△ Leg	△ Leg	△ Leg	-	-	-	-	○	○	○	KDS3005ABWT	
-	△ Leg	△ Leg	△ Leg	△ Leg	○	-	-	△ Leg	△ Leg	△ Leg	△ Leg	△ Leg	△ Leg	-	-	-	-	○	○	○	KDS3008ABWT	
-	△ Leg	△ Leg	△ Leg	△ Leg	○	-	-	△ Leg	△ Leg	△ Leg	△ Leg	△ Leg	△ Leg	-	-	-	-	○	○	○	KDS3010ABWT	
-	△ Leg	△ Leg	△ Leg	△ Leg	○	-	-	△ Leg	△ Leg	△ Leg	△ Leg	△ Leg	△ Leg	-	-	-	-	○	○	○	KDS3012ABWT	
-	△ Leg	△ Leg	△ Leg	△ Leg	○	-	-	△ Leg	△ Leg	△ Leg	△ Leg	△ Leg	△ Leg	-	-	-	-	○	○	○	KDS3015ABWT	
-	△ Leg	△ Leg	△ Leg	△ Leg	○	-	-	△ Leg	△ Leg	△ Leg	△ Leg	△ Leg	△ Leg	-	-	-	-	△	△	△	KDS3018ABWT	
-	-	-	-	-	○	-	-	-	-	-	-	-	-	-	-	-	-	△	△	△	KDS4505ABFT	
-	-	-	-	-	○	-	-	-	-	-	-	-	-	-	-	-	-	△	△	△	KDS4510ABFT	
-	-	-	-	-	○	-	-	-	-	-	-	-	-	-	-	-	-	△	△	△	KDS4513ABFT	
-	-	-	-	-	○	-	-	-	-	-	-	-	-	-	-	-	-	△	△	△	KDS4515ABFT	
-	-	-	-	-	○	-	-	-	-	-	-	-	-	-	-	-	-	△	△	△	KDS4518ABFT	
-	-	-	-	-	○	-	-	-	-	-	-	-	-	-	-	-	-	△	△	△	KDS4505ABWT	
-	-	-	-	-	○	-	-	-	-	-	-	-	-	-	-	-	-	△	△	△	KDS4510ABWT	
-	-	-	-	-	○	-	-	-	-	-	-	-	-	-	-	-	-	△	△	△	KDS4513ABWT	
-	-	-	-	-	○	-	-	-	-	-	-	-	-	-	-	-	-	△	△	△	KDS4515ABWT	
-	-	-	-	-	○	-	-	-	-	-	-	-	-	-	-	-	-	△	△	△	KDS4518ABWT	

X-ray Inspection System and Rejector Combinations

Note 1 : ◇A, B, G, H=200

◇C, J=60

Note 2 : ◇A, B, D, E, G, H, K, L=200

◇C, F, J, M=60

Page				10,11	12 to 15	10,11	12 to 15	10	12,13	10,11	12 to 15	10,11	12 to 15	10	12,13	16	16	16								
Rejection method				Flipper																						
Machine conditions				Painted															SUS304							
				IP30															IP66							
Protection class																										
Belt width (mm)				160			250			400			160			250			400			120	220	350		
Maximum product height (mm)				Note 1	Note 2	200			500			Note 1	Note 2	200			500			60	200	500				
Machine conditions				Rejector Model																						
Exterior	Protection class	Belt width (mm)	Line heights (mm)	X-ray Inspection System Model	Rejector Model																					
					KW4132◇FA▼ (3-way)	KW4232◇FA▼ (2-way)	KW4133◇FA▼ (3-way)	KW4233◇FA▼ (2-way)	KW4134◇FA▼ (3-way)	KW4234◇FA▼ (2-way)	KW4132◇PA▼ (3-way)	KW4232◇PA▼ (2-way)	KW4133◇PA▼ (3-way)	KW4233◇PA▼ (2-way)	KW4134◇PA▼ (3-way)	KW4234◇PA▼ (2-way)	KRA4102AW (3-way)	KRA4103AW (3-way)	KRA4104AW (3-way)							
SUS304	IP66	270	120	KD7405AWH	△	△	△	△	△	△	△	△	△	△	△	△	△	△	△	△	△	△	△	○		
				KD7405ADWH	△	△	△	△	△	△	△	△	△	△	△	△	△	△	△	△	△	△	△	△	△	○
				KD7405BWH	△	△	△	△	△	△	△	△	△	△	△	△	△	△	△	△	△	△	△	△	△	○
		KD7405BDWH	△	△	△	△	△	△	△	△	△	△	△	△	△	△	△	△	△	△	△	△	△	○		
		KD7405ABWH	△	△	△	△	△	△	△	△	△	△	△	△	△	△	△	△	△	△	△	△	△	○		
		KD7405ACWH	△	△	△	△	△	△	△	△	△	△	△	△	△	△	△	△	△	△	△	△	△	○		
	420	150	KD7416AWH	-	-	△	△	△	△	△	-	-	△	△	△	△	△	△	△	△	△	△	△	△		
			KD7416ADWH	-	-	△	△	△	△	△	-	-	△	△	△	△	△	△	△	△	△	△	△	△		
			KD7416BWH	-	-	△	△	△	△	△	-	-	△	△	△	△	△	△	△	△	△	△	△	△		
		KD7416BDWH	-	-	△	△	△	△	△	-	-	△	△	△	△	△	△	△	△	△	△	△	△	△		
		KD7416ABWH	-	-	△	△	△	△	△	-	-	△	△	△	△	△	△	△	△	△	△	△	△	△		
		KD7416ACWH	-	-	△	△	△	△	△	-	-	△	△	△	△	△	△	△	△	△	△	△	△	△		
220	KD7417BWH	-	-	△	△	△	△	△	-	-	△	△	△	△	△	△	△	△	△	△	△	△				
SUS304	IP66	270	120	KD7405CWT	△	△	△	△	△	△	△	△	△	△	△	△	△	△	△	△	△	△	△	○		
				KD7405DWT	△	△	△	△	△	△	△	△	△	△	△	△	△	△	△	△	△	△	△	△	○	
	KD7405DWH	△	△	△	△	△	△	△	△	△	△	△	△	△	△	△	△	△	△	△	△	○				
	420	KD7416DWH	-	-	△	△	△	△	△	-	-	△	△	△	△	△	△	△	△	△	△	△	△			
KD7417DWH	-	-	△	△	△	△	△	-	-	△	△	△	△	△	△	△	△	△	△	△	△	△				
SUS304	IP40	270	120	KD7405KCP	△	△	○	○	○	○	△	△	○	○	○	○	○	△	△	○	○	○	○	○		
				KD7405KDP	△	△	○	○	○	○	△	△	○	○	○	○	○	○	△	△	○	○	○	○	○	
				KD7405KCP	△	△	○	○	○	○	△	△	○	○	○	○	○	○	△	△	○	○	○	○	○	
SUS304	IP66	620	250	KD7447DW	-	-	-	-	-	-	-	-	-	-	-	-	-	-	-	-	-	-	-			
				KD7447DWE	-	-	-	-	-	-	-	-	-	-	-	-	-	-	-	-	-	-	-	-	-	
SUS304	IP52	780	250	KD7337AW	-	-	-	-	-	-	-	-	-	-	-	-	-	-	-	-	-	-	-			
				KD7337AWH1	-	-	-	-	-	-	-	-	-	-	-	-	-	-	-	-	-	-	-	-	-	
				KD7337AWH2	-	-	-	-	-	-	-	-	-	-	-	-	-	-	-	-	-	-	-	-	-	
SUS304	IP66	120	350	KD7478AWH	△	△	△	△	△	△	△	△	△	△	△	△	△	△	△	△	△	△	○	○		
				KD7478BWH	△	△	△	△	△	△	△	△	△	△	△	△	△	△	△	△	△	△	△	○	○	
SUS304	IP69K	420	150	KD7416AM	-	-	-	-	-	-	-	-	-	-	-	-	-	-	-	-	-	△	○			
			50	KD7416ABM	-	-	-	-	-	-	-	-	-	-	-	-	-	-	-	-	-	-	△	○		
			30 to 50	KD7416ACM	-	-	-	-	-	-	-	-	-	-	-	-	-	-	-	-	-	-	△	○		
			150	KD7416ADM	-	-	-	-	-	-	-	-	-	-	-	-	-	-	-	-	-	-	△	○		
SUS304	IP66	420	150	KD7416DWZ	-	-	△	△	△	△	-	-	△	△	△	△	△	△	△	△	△	△	△	△		
				KD7416AWZE	-	-	△	△	△	△	-	-	△	△	△	△	△	△	△	△	△	△	△	△	△	
				KD7416ADWZE	-	-	△	△	△	△	-	-	△	△	△	△	△	△	△	△	△	△	△	△	△	
			30 to 50	KD7416ACWZE	-	-	△	△	△	△	-	-	△	△	△	△	△	△	△	△	△	△	△	△	△	
			SUS304	IP40	270	120	KXS7522AWCLE	△	△	△	△	△	△	△	△	△	△	△	△	△	△	△	△	△	△	△
KXS7522AVCLE	△	△					△	△	△	△	△	△	△	△	△	△	△	△	△	△	△	△	△	△	○	
KXS7522CWCLE	△	△					△	△	△	△	△	△	△	△	△	△	△	△	△	△	△	△	△	△	○	
IP66	420	220		KXS7522CVCLE	△	△	△	△	△	△	△	△	△	△	△	△	△	△	△	△	△	△	△	○		
				KXS7534AWCLE	-	-	△	△	△	△	△	-	-	△	△	△	△	△	△	△	△	△	△	△	△	
				KXS7534AVCLE	-	-	△	△	△	△	△	-	-	△	△	△	△	△	△	△	△	△	△	△	△	
				KXS7534CWCLE	-	-	△	△	△	△	△	-	-	△	△	△	△	△	△	△	△	△	△	△	△	
IP40	420	220	KXS7534CVCLE	-	-	△	△	△	△	-	-	△	△	△	△	△	△	△	△	△	△	△	△			
			KXS7534CVCLE	-	-	△	△	△	△	△	-	-	△	△	△	△	△	△	△	△	△	△	△	△		
SUS304	IP40	270	120	KXE7522AGCKE	△	△	△	△	△	△	△	△	△	△	△	△	△	△	△	△	△	△	○			
		250	50	KXE7510DGEKE	△	△	△	△	△	△	△	△	△	△	△	△	△	△	△	△	△	△	△	○		

Rejector Combinations

◎ : Optimum combination. (Anritsu's recommendation)

○ : Recommended standard combination.

△ : Combination is allowed; however, conveyor width, exterior, and conveyable weight, etc. differ.

- : Combination is not allowed.

Leg : Required to modify the rejector to be self-standing type.

Dropout											Up and Out											Page
Painted						SUS304					Painted						Rejection method					
IP30					IP66					IP30						Exterior						
160		250		400		160		250		400		100		160		250		Protection class				
95	30	130	45	200	95	30	130	45	200	100	130	210	15	140	60	15	180	100	30	Belt width (mm)		
Maximum product height (mm)																				Machine conditions		
Rejector Model																						
X-ray Inspection System Model																						
△	△	△	△	△	△	△	△	△	△	△	△	○	○	-	△	△	△	△	△	△	KD7405AWH	
△	△	△	△	△	△	△	△	△	△	△	△	○	○	-	△	△	△	△	△	△	KD7405ADWH	
△	△	△	△	△	△	△	△	△	△	△	△	○	○	-	△	△	△	△	△	△	KD7405BWH	
△	△	△	△	△	△	△	△	△	△	△	△	○	○	-	△	△	△	△	△	△	KD7405BDWH	
△	△	△	△	△	△	△	△	△	△	△	△	○	○	-	△	△	△	△	△	△	KD7405ABWH	
△	△	△	△	△	△	△	△	△	△	△	△	○	○	-	△	△	△	△	△	△	KD7405ACWH	
-	-	△	△	△	-	-	△	△	-	-	△	△	-	-	-	-	△	△	△	△	KD7416AWH	
-	-	△	△	△	-	-	△	△	-	-	△	△	-	-	-	-	△	△	△	△	KD7416ADWH	
-	-	△	△	△	-	-	△	△	-	-	△	△	-	-	-	-	△	△	△	△	KD7416BWH	
-	-	△	△	△	-	-	△	△	-	-	△	△	-	-	-	-	△	△	△	△	KD7416BDWH	
-	-	△	△	△	-	-	△	△	-	-	△	△	-	-	-	-	△	△	△	△	KD7416ABWH	
-	-	△	△	△	-	-	△	△	-	-	△	△	-	-	-	-	△	△	△	△	KD7416ACWH	
-	-	△	△	△	-	-	△	△	-	-	△	△	-	-	-	-	△	△	△	△	KD7417BWH	
△	△	△	△	△	△	△	△	△	△	△	△	○	-	△	△	△	△	△	△	△	KD7405CWT	
△	△	△	△	△	△	△	△	△	△	△	△	○	-	△	△	△	△	△	△	△	KD7405DWT	
△	△	△	△	△	△	△	△	△	△	△	△	○	-	△	△	△	△	△	△	△	KD7405DWH	
-	-	△	△	△	-	-	△	△	-	-	△	△	-	-	-	-	△	△	△	△	KD7416DWH	
-	-	△	△	△	-	-	△	△	-	-	△	△	-	-	-	-	△	△	△	△	KD7417DWH	
△	△	○	△	○	△	△	○	△	○	△	○	○	-	△	△	△	○	△	△	△	KD7405KP	
△	△	○	△	○	△	△	○	△	○	△	○	○	-	△	△	△	○	△	△	△	KD7405KDP	
△	△	○	△	○	△	△	○	△	○	△	○	○	-	△	△	△	○	△	△	△	KD7405KCP	
-	-	-	-	-	-	-	-	-	-	-	-	-	-	-	-	-	-	-	-	-	KD7447DW	
-	-	-	-	-	-	-	-	-	-	-	-	-	-	-	-	-	-	-	-	-	KD7447DWE	
-	-	-	-	-	-	-	-	-	-	-	-	-	-	-	-	-	-	-	-	-	KD7337AW	
-	-	-	-	-	-	-	-	-	-	-	-	-	-	-	-	-	-	-	-	-	KD7337AWH1	
-	-	-	-	-	-	-	-	-	-	-	-	-	-	-	-	-	-	-	-	-	KD7337AWH2	
-	-	-	-	-	-	-	-	-	-	-	△	-	-	△	-	-	-	-	-	-	KD7478AWH	
-	-	-	-	-	-	-	-	-	-	-	△	-	-	△	-	-	-	-	-	-	KD7478BWH	
-	-	-	-	-	-	-	-	-	-	△	△	○	-	-	-	-	-	-	-	-	KD7416AM	
-	-	-	-	-	-	-	-	-	-	△	△	○	-	-	-	-	-	-	-	-	KD7416ABM	
-	-	-	-	-	-	-	-	-	-	△	△	○	-	-	-	-	-	-	-	-	KD7416ACM	
-	-	-	-	-	-	-	-	-	-	△	△	○	-	-	-	-	-	-	-	-	KD7416ADM	
-	-	△	△	△	-	-	△	△	△	-	△	△	-	-	-	-	△	△	△	△	KD7416DWZ	
-	-	△	△	△	-	-	△	△	△	-	△	△	-	-	-	-	△	△	△	△	KD7416AWZE	
-	-	△	△	△	-	-	△	△	△	-	△	△	-	-	-	-	△	△	△	△	KD7416ADWZE	
-	-	△	△	△	-	-	△	△	△	-	△	△	-	-	-	-	△	△	△	△	KD7416ACWZE	
△	△	△	△	△	△	△	△	△	△	△	○	○	-	△	△	△	△	△	△	△	KXS7522AWCLE	
△	△	△	△	△	△	△	△	△	△	△	○	○	-	△	△	△	△	△	△	△	KXS7522AVCLE	
△	△	△	△	△	△	△	△	△	△	△	○	○	-	△	△	△	△	△	△	△	KXS7522CWCLE	
△	△	△	△	△	△	△	△	△	△	△	○	○	-	△	△	△	△	△	△	△	KXS7522CVCLE	
-	-	△	△	△	-	-	△	△	△	-	△	△	-	-	-	-	△	△	△	△	KXS7534AWCLE	
-	-	△	△	△	-	-	△	△	△	-	△	△	-	-	-	-	△	△	△	△	KXS7534AVCLE	
-	-	△	△	△	-	-	△	△	△	-	△	△	-	-	-	-	△	△	△	△	KXS7534CWCLE	
-	-	△	△	△	-	-	△	△	△	-	△	△	-	-	-	-	△	△	△	△	KXS7534CVCLE	
△	△	△	△	△	△	△	△	△	△	△	○	○	-	△	△	△	△	△	△	△	KXE7522AGCKE	
△	△	△	△	△	△	△	△	△	△	△	○	○	-	△	△	△	△	△	△	△	KXE7510DGEKE	

X-ray Inspection System and Rejector Combinations

Page				23	24	24	23	24	24	23	26	26	27	27	27	28			
Rejection method				Up and Out							Air Jet								
Machine conditions				SUS304							Painted, SUS304							SUS304	
Exterior				IP30							IP30							IP66	
Protection class				IP30							IP30							IP66	
Belt width (mm)				100	160			250			100	160	250	230					
Maximum product height (mm)				15	140	60	15	180	100	30	30	160			160				
Machine conditions				Rejector Model															
Exterior	Protection class	Belt width (mm)	Line heights (mm)	X-ray Inspection System Model	KW4603MPA ▼ (3-way)	KW4610JPA ▼ (2-way)	KW4610KPA ▼ (2-way)	KW4610MPA ▼ (3-way)	KW4612JPA ▼ (2-way)	KW4612KPA ▼ (2-way)	KW4612MPA ▼ (3-way)	KW4803CF/CP (2-way)	KW4803BF/BP (2-way)	KW4805BF/BP (2-way) (3-way)	KW4806BF/BP (2-way) (3-way)	KW4812BF/BP (2-way) (3-way)	KW4866BW (2-way)		
					SUS304	IP66	270	120	KD7405AWH	-	△	△	△	△	△	△	-	-	△Leg
				KD7405ADWH	-	△	△	△	△	△	△	-	-	△Leg	△Leg	△Leg	○Leg		
				KD7405BWH	-	△	△	△	△	△	△	-	-	△Leg	△Leg	△Leg	○Leg		
				KD7405BDWH	-	△	△	△	△	△	△	-	-	△Leg	△Leg	△Leg	○Leg		
		50		KD7405ABWH	-	△	△	△	△	△	△	-	-	△Leg	△Leg	△Leg	○Leg		
		30 to 50		KD7405ACWH	-	△	△	△	△	△	△	-	-	△Leg	△Leg	△Leg	○Leg		
		420	150	KD7416AWH	-	-	-	-	△	△	△	-	-	-	-	△Leg	△Leg		
						KD7416ADWH	-	-	-	-	△	△	△	-	-	-	-	△Leg	△Leg
						KD7416BWH	-	-	-	-	△	△	△	-	-	-	-	△Leg	△Leg
						KD7416BDWH	-	-	-	-	△	△	△	-	-	-	-	△Leg	△Leg
				50	KD7416ABWH	-	-	-	-	△	△	△	-	-	-	-	△Leg	△Leg	
				30 to 50	KD7416ACWH	-	-	-	-	△	△	△	-	-	-	-	△Leg	△Leg	
				220	KD7417BWH	-	-	-	-	△	△	△	-	-	-	-	△Leg	△Leg	
SUS304	IP66	270	120	KD7405CWT	-	△	△	△	△	△	△	-	-	△Leg	△Leg	△Leg	○Leg		
				KD7405DWT	-	△	△	△	△	△	△	-	-	△Leg	△Leg	△Leg	○Leg		
				KD7405DWH	-	△	△	△	△	△	△	-	-	△Leg	△Leg	△Leg	○Leg		
		420	150	KD7416DWH	-	-	-	-	△	△	△	-	-	-	-	△Leg	△Leg		
			220	KD7417DWH	-	-	-	-	△	△	△	-	-	-	-	△Leg	△Leg		
SUS304	IP40	270	120	KD7405KP	-	△	△	△	○	○	△	-	-	△Leg	△Leg	○Leg	○Leg		
				KD7405KDP	-	△	△	△	○	○	△	-	-	△Leg	△Leg	○Leg	○Leg		
		30 to 50		KD7405KCP	-	△	△	△	○	○	△	-	-	△Leg	△Leg	○Leg	○Leg		
SUS304	IP66	620	250	KD7447DW	-	-	-	-	-	-	-	-	-	-	-	-	-		
				KD7447DWE	-	-	-	-	-	-	-	-	-	-	-	-	-		
SUS304	IP52	780	250	KD7337AW	-	-	-	-	-	-	-	-	-	-	-	-	-		
				KD7337AWH1	-	-	-	-	-	-	-	-	-	-	-	-	-		
				KD7337AWH2	-	-	-	-	-	-	-	-	-	-	-	-	-		
SUS304	IP66	120	350	KD7478AWH	-	-	-	-	-	-	-	-	-	△Leg	△Leg	△Leg	○Leg		
				KD7478BWH	-	-	-	-	-	-	-	-	-	△Leg	△Leg	△Leg	○Leg		
SUS304	IP69K	420	150	KD7416AM	-	-	-	-	-	-	-	-	-	-	-	-	-		
			50	KD7416ABM	-	-	-	-	-	-	-	-	-	-	-	-	-		
			30 to 50	KD7416ACM	-	-	-	-	-	-	-	-	-	-	-	-	-		
			150	KD7416ADM	-	-	-	-	-	-	-	-	-	-	-	-	-		
SUS304	IP66	420	150	KD7416DWZ	-	-	-	-	△	△	△	-	-	-	-	△Leg	△Leg		
				KD7416AWZE	-	-	-	-	△	△	△	-	-	-	-	△Leg	△Leg		
				KD7416ADWZE	-	-	-	-	△	△	△	-	-	-	-	△Leg	△Leg		
			30 to 50	KD7416ACWZE	-	-	-	-	△	△	△	-	-	-	-	△Leg	△Leg		
SUS304	IP66	270	120	KXS7522AWCLE	-	△	△	△	△	△	△	-	-	△Leg	△Leg	△Leg	○Leg		
				KXS7522AVCLE	-	△	△	△	△	△	△	-	-	△Leg	△Leg	△Leg	○Leg		
				KXS7522CWCLE	-	△	△	△	△	△	△	-	-	△Leg	△Leg	△Leg	○Leg		
				KXS7522CVCLE	-	△	△	△	△	△	△	-	-	△Leg	△Leg	△Leg	○Leg		
		420	220	KXS7534AWCLE	-	-	-	-	△	△	△	-	-	-	-	△Leg	△Leg		
						KXS7534AVCLE	-	-	-	-	△	△	△	-	-	-	△Leg	△Leg	
						KXS7534CWCLE	-	-	-	-	△	△	△	-	-	-	△Leg	△Leg	
						KXS7534CVCLE	-	-	-	-	△	△	△	-	-	-	△Leg	△Leg	
SUS304	IP40	270	120	KXE7522AGCKE	-	△	△	△	△	△	△	-	-	△Leg	△Leg	△Leg	○Leg		
		250	50	KXE7510DGEKE	-	△	△	△	△	△	△	-	-	△Leg	△Leg	△Leg	○Leg		

SV series Checkweigher and Rejector Combinations



Note 1 : ◇ A, B, G, H=200

◇ C, J=60

Note 2 : ◇ A, B, D, E, G, H, K, L=200

◇ C, F, J, M=60

Note 3 : □=2, 3, 4, 5, 6

◆=D, E

Page					4,5	6to9	4,5	6to9	4	6,7	17	17	18	18	17	17	18	18	17						
Rejection method					Flipper					Dropout															
Machine conditions					Painted																				
Exterior					IP30																				
Protection class					IP30																				
Belt width (mm)					160		250		400		160				250				400						
Maximum product height (mm)					Note 1	Note 2	200		500		95	30	95	30	130	45	130	45	200						
Machine conditions					Rejector Model																				
Exterior	Protection class	Belt width (mm)	Maximum product height (mm)	Checkweigher Model	KW4132◇FB (3-way)	KW4232◇FB (2-way)	KW4133◇FB (3-way)	KW4233◇FB (2-way)	KW4134◇FB (3-way)	KW4234◇FB (2-way)	KW4610AFB (2-way)	KW4610BFB (2-way)	KW4610AFC (2-way)	KW4610BFC (2-way)	KW4612AFB (2-way)	KW4612BFB (2-way)	KW4612AFC (2-way)	KW4612BFC (2-way)	KW4624AFB (2-way)						
Painted	IP30	100	180	KW7003AF03	○	○	○	○	-	-	○	○	-	-	△	△	-	-	-	-					
			120	KW6001●F04	○	○	○	○	-	-	○	○	-	-	△	△	-	-	-	-	-	-			
		160	180	KW6003●F03	○	○	○	○	-	-	○	○	-	-	△	△	-	-	-	-	-	-			
				KW6005●F05	○	○	○	○	-	-	○	○	-	-	△	△	-	-	-	-	-	-			
				KW6006●F06	○	○	○	○	-	-	○	○	-	-	△	△	-	-	-	-	-	-			
Painted	IP30	100	120	KW6201/5201●F04	○	○	○	○	-	-	○	○	△	△	△	△	-	-	-	-	-				
				KW6203/5203●F03	○	○	○	○	-	-	○	○	○	○	△	△	△	△	-	-	-	-			
		160		KW6205/5205●F05	○	○	○	○	-	-	○	○	○	○	△	△	△	△	-	-	-	-			
				KW6206/5206●F06	○	○	○	○	-	-	○	○	○	○	△	△	△	△	-	-	-	-			
		250	180		KW6411/5411●F11	○	○	○	○	△	△	△	△	△	△	○	○	○	○	-	-	-	-		
					KW6412/5412●F12	○	○	○	○	△	△	△	△	△	△	△	○	○	○	○	-	-	-	-	
					KW6414/5414●F12	○	○	○	○	△	△	△	△	△	△	△	○	○	○	○	-	-	-	-	
					KW6416/5416●F16	-	-	△	△	○	○	-	-	-	-	-	○	○	-	-	-	-	○	-	
					KW6417/5417●F17	-	-	△	△	○	○	-	-	-	-	-	○	○	-	-	-	-	○	-	
						KW5522●F22	-	-	△	△	○	○	-	-	-	-	-	△	△	-	-	-	-	○	-
Painted	IP30	400	500		KW5524●F24	-	-	△	△	○	○	-	-	-	△	△	-	-	-	-	○	-			
					KW5526●F24	-	-	△	△	○	○	-	-	-	-	△	△	-	-	-	-	○	-		
					KW5623●F23	-	-	-	-	○	○	-	-	-	-	-	△	△	-	-	-	-	○	-	
					KW5625●F25	-	-	-	-	○	○	-	-	-	-	-	△	△	-	-	-	-	○	-	
					KW5627●F25	-	-	-	-	○	○	-	-	-	-	-	△	△	-	-	-	-	○	-	
					KW5728●FNN	-	-	-	-	○	○	-	-	-	-	-	△	△	-	-	-	-	○	-	
						KW5888●FNN	-	-	-	-	-	-	-	-	-	-	-	-	-	-	-	-	-	-	-
				KW5989●FNN	-	-	-	-	-	-	-	-	-	-	-	-	-	-	-	-	-	-	-		
		Painted	IP30	100	3D=80, 5D=120, 6D=180	KW7003●F□◆ Note 3	○	○	○	○	-	-	○	○	-	-	△	△	-	-	-	-	-		
						KW6003●F□◆ Note 3	○	○	○	○	-	-	○	○	-	-	△	△	-	-	-	-	-	-	-
160	3D=80, 5D=120, 6D=180			2E=50, 3E=80, 4E=100	KW6005●F□◆ Note 3	○	○	○	○	-	-	○	○	-	-	△	△	-	-	-	-	-	-		
				KW6006●F□◆ Note 3	○	○	○	○	-	-	○	○	-	-	△	△	-	-	-	-	-	-	-	-	
Painted	IP30	100	3D=80, 5D=120, 6D=180	2E=50	KW6203/5203●F□◆ Note 3	○	○	○	○	-	-	○	○	-	-	△	△	-	-	-	-				
				3E=80	KW6205/5205●F□◆ Note 3	○	○	○	○	-	-	○	○	-	-	△	△	-	-	-	-	-	-		
		160	3D=80, 5D=120, 6D=180	2E=50, 3E=80, 4E=100		KW6206/5206●F□◆ Note 3	○	○	○	○	-	-	○	○	-	-	△	△	-	-	-	-	-		
						KW6411/5411●F□◆ Note 3	○	○	○	○	△	△	△	△	-	-	○	○	-	-	-	-	-	-	-
		250	3D=80, 5D=120, 6D=180	2E=50, 3E=80, 5E=120		KW6412/5412●F□◆ Note 3	○	○	○	○	△	△	△	△	-	-	○	○	-	-	-	-	-		
						KW6414/5414●F□◆ Note 3	○	○	○	○	△	△	△	△	-	-	○	○	-	-	-	-	-	-	-
						KW6416/5416●F□◆ Note 3	-	-	○	○	○	○	-	-	-	-	-	○	○	-	-	-	-	-	○
						KW6417/5417●F□◆ Note 3	-	-	○	○	○	○	-	-	-	-	-	○	○	-	-	-	-	-	○
Painted	IP30	400	4D=100, 5D=130, 6D=180	2E=50, 4E=100, 5E=130	KW5522●F□◆ Note 3	-	-	△	△	○	○	-	-	-	-	-	-	-	-	-	○	-			
					KW5524●F□◆ Note 3	-	-	△	△	○	○	-	-	-	-	-	-	-	-	-	-	-	-	○	-
Painted	IP30	160	180		KW9105●F05	○	○	○	○	-	-	○	○	○	○	△	△	△	△	-	-				

SSV series Checkweigher and Rejector Combinations



Note 1 : ◇ A, B, G, H=200

◇ C, J=60

Note 2 : ◇ A, B, D, E, G, H, K, L=200

◇ C, F, J, M=60

Note 3 : □=2, 3, 4, 5, 6

◆=D, E

Page					4,5	6to9	4,5	6to9	4	6,7	17	17	18	18	17	17	18	18	17				
Rejection method					Flipper					Dropout													
Machine conditions					Painted																		
Exterior					IP30																		
Protection class					IP30																		
Belt width (mm)					160		250		400		160			250			400						
Maximum product height (mm)					Note 1	Note 2	200	500	95	30	95	30	130	45	130	45	200						
Machine conditions					Rejector Model																		
Checkweigher Model					KW4132◇FB▼ (3-way)	KW4232◇FB▼ (2-way)	KW4133◇FB▼ (3-way)	KW4233◇FB▼ (2-way)	KW4134◇FB▼ (3-way)	KW4234◇FB▼ (2-way)	KW4610AFB▼ (2-way)	KW4610BFB▼ (2-way)	KW4610AFC▼ (2-way)	KW4610BFC▼ (2-way)	KW4612AFB▼ (2-way)	KW4612BFB▼ (2-way)	KW4612AFC▼ (2-way)	KW4612BFC▼ (2-way)	KW4624AFB▼ (2-way)				
Exterior	Protection class	Belt width (mm)	Maximum product height (mm)	Checkweigher Model	○	○	○	○	○	○	○	○	○	○	○	○	○	○	○				
Painted	IP30	100	120	KWS6001BF04	○	○	○	○	○	○	○	○	○	○	○	○	○	○	○	○			
				KWS6003BF03	○	○	○	○	○	○	○	○	○	○	○	○	○	○	○	○	○	○	
		160	180	KWS6005BF05	○	○	○	○	○	○	○	○	○	○	○	○	○	○	○	○	○		
				KWS6006BF06	○	○	○	○	○	○	○	○	○	○	○	○	○	○	○	○	○	○	
Painted	IP30	100	120	KWS6201/5201BF04	○	○	○	○	○	○	○	○	○	○	○	○	○	○	○	○			
				KWS6203/5203BF03	○	○	○	○	○	○	○	○	○	○	○	○	○	○	○	○	○	○	
		160	180	KWS6205/5205BF05	○	○	○	○	○	○	○	○	○	○	○	○	○	○	○	○	○		
				KWS6206/5206BF06	○	○	○	○	○	○	○	○	○	○	○	○	○	○	○	○	○	○	
		250	180	KWS6411/5411BF11	○	○	○	○	△	△	△	△	△	△	△	○	○	○	○	○	○		
				KWS6412/5412BF12	○	○	○	○	△	△	△	△	△	△	△	○	○	○	○	○	○	○	
				KWS6414/5414BF12	○	○	○	○	△	△	△	△	△	△	△	○	○	○	○	○	○	○	
				KWS6416/5416BF16	○	○	○	○	○	○	○	○	○	○	○	○	○	○	○	○	○	○	○
350	180	KWS6417/5417BF17	○	○	○	○	○	○	○	○	○	○	○	○	○	○	○	○	○	○			
		KWS5522BF22	○	○	○	○	○	○	○	○	○	○	○	○	○	○	○	○	○	○	○		
Painted	IP30	400	500	KWS5524BF24	○	○	○	○	○	○	○	○	○	○	○	○	○	○	○	○	○	○	
				KWS5526BF24	○	○	○	○	○	○	○	○	○	○	○	○	○	○	○	○	○	○	○
				KWS5623BF23	○	○	○	○	○	○	○	○	○	○	○	○	○	○	○	○	○	○	○
				KWS5625BF25	○	○	○	○	○	○	○	○	○	○	○	○	○	○	○	○	○	○	○
				KWS5627BF25	○	○	○	○	○	○	○	○	○	○	○	○	○	○	○	○	○	○	○
				KWS5728BFNN	○	○	○	○	○	○	○	○	○	○	○	○	○	○	○	○	○	○	○
				Painted	IP30	100	3D=80 5D=120 6D=180	2E=50 3E=80 4E=100	KWS6003BF◆ ^{Note 3}	○	○	○	○	○	○	○	○	○	○	○	○	○	○
KWS6005BF◆ ^{Note 3}	○	○	○						○	○	○	○	○	○	○	○	○	○	○	○	○	○	○
KWS6006BF◆ ^{Note 3}	○	○	○						○	○	○	○	○	○	○	○	○	○	○	○	○	○	○
Painted	IP30	100	3D=80 5D=120 6D=180	2E=50 3E=80 4E=100	KWS6203/5203BF◆ ^{Note 3}	○	○	○	○	○	○	○	○	○	○	○	○	○	○	○			
					KWS6205/5205BF◆ ^{Note 3}	○	○	○	○	○	○	○	○	○	○	○	○	○	○	○	○	○	○
		160	3D=80 5D=120 6D=180	2E=50 3E=80 4E=100	KWS6206/5206BF◆ ^{Note 3}	○	○	○	○	○	○	○	○	○	○	○	○	○	○	○	○	○	
					KWS6411/5411BF◆ ^{Note 3}	○	○	○	○	△	△	△	△	△	△	△	○	○	○	○	○	○	○
		250	3D=80 5D=120 6D=180	2E=50 4E=80 5E=120	KWS6412/5412BF◆ ^{Note 3}	○	○	○	○	△	△	△	△	△	○	○	○	○	○	○	○		
					KWS6414/5414BF◆ ^{Note 3}	○	○	○	○	△	△	△	△	△	△	△	○	○	○	○	○	○	○
		350	4D=100 5D=130 6D=180	2E=50 4E=100 5E=130	KWS6416/5416BF◆ ^{Note 3}	○	○	○	○	○	○	○	○	○	○	○	○	○	○	○	○	○	
					KWS6417/5417BF◆ ^{Note 3}	○	○	○	○	○	○	○	○	○	○	○	○	○	○	○	○	○	○
Painted	IP30	400	4D=100 5D=130 6D=180	2E=50 4E=100 5E=130	KWS5522BF◆ ^{Note 3}	○	○	○	○	○	○	○	○	○	○	○	○	○	○	○	○		
					KWS5524BF◆ ^{Note 3}	○	○	○	○	○	○	○	○	○	○	○	○	○	○	○	○	○	○

Rejector Combinations

◎ : Optimum combination. (Anritsu's recommendation)

○ : Recommended standard combination.

△ : Combination is allowed; however, conveyor width, exterior, and conveyable weight, etc. differ.

- : Combination is not allowed.

Leg : Required to modify the rejector to be self-standing type.

Dropout			Up and Out												AirJet						Pusher						Carrier			Page			
SUS304															SUS304															Rejection method			Machine conditions
IP66			IP30												IP66			IP30			IP66			IP53			Exterior						
160	230	350	100	160		250		100	160	250	—	230	100	160	250	550	150	200	150	Protection class													
100	130	210	15	140	60	15	180	100	30	30	160			180	160	600			300			Belt width (mm)											
Rejector Model																					Maximum product height (mm)			Checkweigher Model									
KW4671CW (2-way)	KW4672CW (2-way)	KW4676CW (2-way)	KW4603MPA (3-way)	KW4610JPA (2-way)	KW4610KPA (2-way)	KW4610MPA (3-way)	KW4612JPA (2-way)	KW4612KPA (2-way)	KW4612MPA (3-way)	KW4639LPAC (3-way)	KW4803CP (2-way)	KW4803BP (2-way)	KW4805BP (2-way)	KW4806BP (2-way)	KW4812BP (2-way)	KW483BW/CW (2-way)	KW4866BW (2-way)	KW4503BP (2-way)	KW4505BP (2-way)	KW4506BP (2-way)	KW4512BP (2-way)	KW4501LWAC (2-way)	KW4501MWAC (2-way)		KRA4416W (3-way)	KRA4416WB (3-way)	KRA4426W (3-way)	KW431AW (2-way)	100	150	200		
△	△	-	◎	◎	◎	◎	△	△	△	△	◎	○	△	△	-	△	-	△	△	△	-	-	-	○	◎	◎	○	○	KWS6001BP04				
△	△	-	◎	◎	◎	◎	△	△	△	△	-	◎	△	△	-	○	-	○	△	△	△	-	-	-	○	◎	◎	○	KWS6003BP03				
△	△	-	△	◎	◎	◎	△	△	△	△	-	△	◎	○	△	○	-	△	◎	◎	○	-	-	-	○	◎	◎	○	KWS6005BP05				
△	△	-	△	◎	◎	◎	△	△	△	△	-	△	◎	○	△	○	-	△	◎	◎	○	-	-	-	○	◎	◎	○	KWS6006BP06				
△	△	-	◎	◎	◎	◎	△	△	△	△	◎	○	△	△	-	△	-	△	△	△	-	-	-	○	◎	◎	○	○	KWS6201/5201BP04				
△	△	-	◎	◎	◎	◎	△	△	△	△	-	◎	△	△	-	○	-	○	△	△	△	-	-	-	○	◎	◎	○	KWS6203/5203BP03				
△	△	-	△	◎	◎	◎	△	△	△	△	-	△	◎	○	△	○	-	△	◎	◎	○	-	-	-	○	◎	◎	○	KWS6205/5205BP05				
△	△	-	△	◎	◎	◎	△	△	△	△	-	△	◎	○	△	○	-	△	◎	◎	○	-	-	-	○	◎	◎	○	KWS6206/5206BP06				
-	△	-	-	△	△	△	◎	◎	◎	◎	-	-	-	-	◎	○	-	-	-	◎	-	-	-	○	◎	◎	△	KWS6411/5411BP11					
-	△	-	-	△	△	△	◎	◎	◎	◎	-	-	-	-	◎	○	-	-	-	◎	-	-	-	○	◎	◎	△	KWS6412/5412BP12					
-	△	-	-	△	△	△	◎	◎	◎	◎	-	-	-	-	◎	○	-	-	-	◎	-	-	-	○	◎	◎	△	KWS6414/5414BP12					
-	-	△	-	-	-	-	○	○	○	○	-	-	-	-	-	△	-	-	-	-	-	-	-	-	-	-	-	-	KWS6416/5416BP16				
-	-	△	-	-	-	-	○	○	○	○	-	-	-	-	-	△	-	-	-	-	-	-	-	-	-	-	-	-	KWS6417/5417BP17				
-	-	△	-	-	-	-	△	△	△	△	-	-	-	-	-	-	-	-	-	-	-	-	-	-	-	-	-	-	KWS5522BP22				
-	-	△	-	-	-	-	△	△	△	△	-	-	-	-	-	-	-	-	-	-	-	-	-	-	-	-	-	-	KWS5524BP24				
-	-	△	-	-	-	-	△	△	△	△	-	-	-	-	-	-	-	-	-	-	-	-	-	-	-	-	-	-	KWS5526BP24				
-	-	△	-	-	-	-	△	△	△	△	-	-	-	-	-	-	-	-	-	-	-	-	-	-	-	-	-	-	KWS5528BP23				
-	-	△	-	-	-	-	△	△	△	△	-	-	-	-	-	-	-	-	-	-	-	-	-	-	-	-	-	-	KWS5525BP25				
-	-	△	-	-	-	-	△	△	△	△	-	-	-	-	-	-	-	-	-	-	-	-	-	-	-	-	-	-	KWS5527BP25				
-	-	△	-	-	-	-	△	△	△	△	-	-	-	-	-	-	-	-	-	-	-	-	-	-	-	-	-	-	KWS5728BPNN				
△	△	-	◎	◎	◎	◎	△	△	△	△	-	◎	△	△	-	○	-	○	△	△	△	-	-	-	○	◎	◎	○	KWS6003BP				
△	△	-	△	◎	◎	◎	△	△	△	△	-	△	◎	○	△	○	-	△	◎	◎	○	-	-	-	○	◎	◎	○	KWS6005BP				
△	△	-	△	◎	◎	◎	△	△	△	△	-	△	◎	○	△	○	-	△	◎	◎	○	-	-	-	○	◎	◎	○	KWS6006BP				
△	△	-	◎	◎	◎	◎	△	△	△	△	-	◎	△	△	-	○	-	○	△	△	△	-	-	-	○	◎	◎	○	KWS6203/5203BP				
△	△	-	△	◎	◎	◎	△	△	△	△	-	△	◎	○	△	○	-	△	◎	◎	○	-	-	-	○	◎	◎	○	KWS6205/5205BP				
△	△	-	△	◎	◎	◎	△	△	△	△	-	△	◎	○	△	○	-	△	◎	◎	○	-	-	-	○	◎	◎	○	KWS6206/5206BP				
-	△	-	-	△	△	△	◎	◎	◎	◎	-	-	-	-	◎	○	-	-	-	○	Leg	-	-	-	○	◎	◎	△	KWS6411/5411BP				
-	△	-	-	△	△	△	◎	◎	◎	◎	-	-	-	-	◎	○	-	-	-	○	Leg	-	-	-	○	◎	◎	△	KWS6412/5412BP				
-	△	-	-	△	△	△	◎	◎	◎	◎	-	-	-	-	◎	○	-	-	-	○	Leg	-	-	-	○	◎	◎	△	KWS6414/5414BP				
-	-	△	-	-	-	-	○	○	○	○	-	-	-	-	-	-	-	-	-	-	-	-	-	-	-	-	-	-	KWS6416/5416BP				
-	-	△	-	-	-	-	○	○	○	○	-	-	-	-	-	-	-	-	-	-	-	-	-	-	-	-	-	-	KWS6417/5417BP				
-	-	△	-	-	-	-	-	-	-	-	-	-	-	-	-	-	-	-	-	-	-	-	-	-	-	-	-	-	KWS5522BP				
-	-	△	-	-	-	-	-	-	-	-	-	-	-	-	-	-	-	-	-	-	-	-	-	-	-	-	-	-	KWS5524BP				
◎	○	△	△	△	△	△	△	△	△	△	-	-	-	-	○	◎	-	△	△	-	-	-	-	○	◎	◎	○	○	KWS6265/5265BW65				
△	◎	△	-	△	△	△	△	△	△	△	-	-	-	-	△	○	◎	-	-	-	△	-	-	○	◎	◎	△	△	KWS6366/5366BW66				
△	◎	△	-	△	△	△	△	△	△	△	-	-	-	-	△	○	○	-	-	-	△	-	-	○	◎	◎	△	△	KWS6472/5472BW72				
-	-	◎	-	-	-	-	-	-	-	-	-	-	-	-	-	△	-	-	-	-	-	-	-	△	△	△	-	-	KWS5476BW76				
-	-	○	-	-	-	-	-	-	-	-	-	-	-	-	-	-	-	-	-	-	-	-	○	○	-	-	-	-	KWS5677BW77				
-	-	○	-	-	-	-	-	-	-	-	-	-	-	-	-	-	-	-	-	-	-	-	○	○	-	-	-	-	KWS5678BW77				
◎	○	△	△	△	△	△	△	△	△	△	-	-	-	-	○	◎	-	△	△	-	-	-	-	○	◎	◎	○	○	KWS6265/5265BW				
△	◎	△	-	△	△	△	△	△	△	△	-	-	-	-	△	○	◎	-	-	-	△	-	-	○	◎	◎	△	△	KWS6366/5366BW				
△	◎	△	-	△	△	△	△	△	△	△	-	-	-	-	△	○	○	-	-	-	△	-	-	○	◎	◎	△	△	KWS6472/5472BW				
-	-	◎	-	-	-	-	-	-	-	-	-	-	-	-	-	△	-	-	-	-	-	-	-	△	△	△	-	-	KWS5476BW				
-	-	○	-	-	-	-	-	-	-	-	-	-	-	-	-	-	-	-	-	-	-	-	-	-	-	-	-	-	KWS5577BW				

SSV series Checkweigher and Rejector Combinations



Note 1 : ◇ A, B, G, H=200

◇ C, J=60

Note 2 : ◇ A, B, D, E, G, H, K, L=200

◇ C, F, J, M=60

Note 4 : □=2, 3, 4, 5, 6, 7, 8

◆=R, G

Note 5 : □=3, 4, 5, 6, 7, 8

Page					4,5	6 to 9	4,5	6 to 9	4	6,7	17	17	18	18	17	17	18	18	17				
Rejection method					Flipper					Dropout													
Machine conditions					Painted																		
Exterior					IP30																		
Protection class					IP30																		
Belt width (mm)					160		250		400		160			250			400						
Maximum product height (mm)					Note 1	Note 2	200	500	95	30	95	30	130	45	130	45	200						
Machine conditions					Rejector Model																		
Exterior	Protection class	Belt width (mm)	Maximum product height (mm)	Checkweigher Model	KW4132 ◇ FB (3-way)	KW4232 ◇ FB (2-way)	KW4133 ◇ FB (3-way)	KW4233 ◇ FB (2-way)	KW4134 ◇ FB (3-way)	KW4234 ◇ FB (2-way)	KW4610AFB (2-way)	KW4610BFB (2-way)	KW4610AFC (2-way)	KW4610BFC (2-way)	KW4612AFB (2-way)	KW4612BFB (2-way)	KW4612AFC (2-way)	KW4612BFC (2-way)	KW4624AFB (2-way)				
Painted	IP30	100	2R=50 3R=80 4R=120 5R=150 6R=180	KWS6003BF ◆ Note 4	○	○	○	○	—	—	○	○	—	—	△	△	—	—	—	—			
				KWS6005BF ◆ Note 4	○	○	○	○	—	—	○	○	—	—	△	△	—	—	—	—	—	—	
				KWS6006BF ◆ Note 4	○	○	○	○	—	—	○	○	—	—	△	△	—	—	—	—	—	—	—
				KWS6203/5203BF ◆ Note 4	○	○	○	○	—	—	○	○	—	—	△	△	—	—	—	—	—	—	—
		KWS6205/5205BF ◆ Note 4	○	○	○	○	—	—	○	○	—	—	△	△	—	—	—	—	—	—	—	—	
		KWS6206/5206BF ◆ Note 4	○	○	○	○	—	—	○	○	—	—	△	△	—	—	—	—	—	—	—	—	
		KWS6411/5411BF ◆ Note 4	△	△	○	○	△	△	△	△	—	—	○	○	—	○	○	—	—	—	—	—	
		KWS6412/5412BF ◆ Note 4	△	△	○	○	△	△	△	△	—	—	○	○	—	○	○	—	—	—	—	—	
		KWS6414/5414BF ◆ Note 4	△	△	○	○	△	△	△	△	—	—	○	○	—	○	○	—	—	—	—	—	
		KWS6416/5416BF ◆ Note 4	—	—	△	△	○	○	—	—	—	—	—	—	—	○	○	—	—	—	—	○	
		KWS6417/5417BF ◆ Note 4	—	—	△	△	○	○	—	—	—	—	—	—	—	○	○	—	—	—	—	○	
		KWS5522BF ◆ Note 4	—	—	—	—	○	○	—	—	—	—	—	—	—	—	—	—	—	—	—	○	
KWS5524BF ◆ Note 4	—	—	—	—	○	○	—	—	—	—	—	—	—	—	—	—	—	—	—	○			
Painted	IP30	3K=50 4K=100 5K=120 7K=150 8K=160	280	KWS6205/5205BF □ Note 5	○ Note 1	○ Note 1	○	○	—	—	○	△	—	—	○	△	—	—	—	△			
				KWS6206/5206BF □ Note 5	○ Note 1	○ Note 1	○	○	—	—	○	△	—	—	○	△	—	—	—	△			
				KWS6411/5411BF □ Note 5	○ Note 1	○ Note 1	○	○	—	—	○	△	—	—	○	△	—	—	—	△			
				KWS6412/5412BF □ Note 5	○ Note 1	○ Note 1	○	○	—	—	○	△	—	—	○	△	—	—	—	△			
				KWS6414/5414BF □ Note 5	○ Note 1	○ Note 1	○	○	—	—	○	△	—	—	○	△	—	—	—	△			
		KWS5524BF □ Note 5	△ Note 1	△ Note 1	△	△	—	—	—	—	—	—	—	—	—	—	—	—	—	—			

SSV series Checkweigher and Rejector Combinations



Note 1 : ◇ A, B, G, H=200
◇ C, J=60

Note 3 : Belt width for the KWS6472BW□K or the
KW5472BW□K is 180 mm when choosing 8K.

Note 5 : □=3, 4, 5, 6, 7, 8

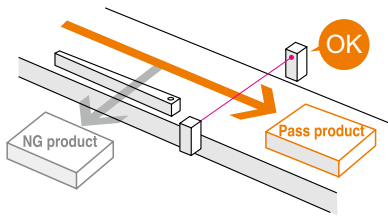
Note 2 : ◇ A, B, D, E, G, H, K, L=200
◇ C, F, J, M=60

Note 4 : □=2, 3, 4, 5, 6, 7, 8
◆=R, G

Note 6 : If 7 or 8 is selected for □,
the combination symbol is "△".

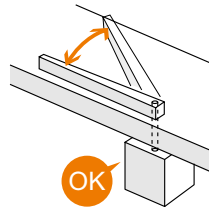
Page					4,5	6to9	4,5	6to9	4	6,7	16	16	16	17	17	18	18	17	17	18	18	17	20	20			
Rejection method					Flipper										Dropout												
Machine conditions					SUS304																						
Exterior					IP30						IP66			IP30						IP66							
Protection class					160		250		400		120		220	350	160			250			400		160	230			
Belt width (mm)					Note 1	Note 2	200		500		60	200	500	95	30	95	30	130	45	130	45	200	100	130			
Maximum product height (mm)					Note 1	Note 2	200		500		60	200	500	95	30	95	30	130	45	130	45	200	100	130			
Machine conditions					Rejector Model																						
Exterior					Checkweigher Model																						
Exterior	Protection class	Belt width (mm)	Maximum product height (mm)	Rejector Model	KW4132◇PB (3-way)	KW4232◇PB (2-way)	KW4133◇PB (3-way)	KW4233◇PB (2-way)	KW4134◇PB (3-way)	KW4234◇PB (2-way)	KRA4102AW (3-way)	KRA4103AW (3-way)	KRA4104AW (3-way)	KW4610APB (2-way)	KW4610BPB (2-way)	KW4610APC (2-way)	KW4610BPC (2-way)	KW4612APB (2-way)	KW4612BPB (2-way)	KW4612APC (2-way)	KW4612BPC (2-way)	KW4624APB (2-way)	KW4624BPB (2-way)				
SUS304	IP30	100	2G=50 3G=80 4G=100	KWS6003BP◆ Note 4	○	○	○	○	○	○	○	○	○	○	○	○	○	○	○	○	○	○	○	○			
				KWS6005BP◆ Note 4	○	○	○	○	○	○	○	○	○	○	○	○	○	○	○	○	○	○	○	○	○	○	
		160	2R=50 3R=80 4R=120 5R=150	KWS6006BP◆ Note 4	○	○	○	○	○	○	○	○	○	○	○	○	○	○	○	○	○	○	○	○	○		
				KWS6203/5203BP◆ Note 4	○	○	○	○	○	○	○	○	○	○	○	○	○	○	○	○	○	○	○	○	○	○	
		250	2G=50 3G=80 4G=100 5G=120 7G=150 8G=180	KWS6205/5205BP◆ Note 4	○	○	○	○	○	○	○	○	○	○	○	○	○	○	○	○	○	○	○	○	○		
				KWS6206/5206BP◆ Note 4	○	○	○	○	○	○	○	○	○	○	○	○	○	○	○	○	○	○	○	○	○	○	
		350	2R=50 3R=100 4R=130 5R=150 6R=180	2G=50 3G=80 4G=100 5G=120 7G=150 8G=180	KWS6411/5411BP◆ Note 4	○	○	○	○	○	○	○	○	○	○	○	○	○	○	○	○	○	○	○	○		
					KWS6412/5412BP◆ Note 4	○	○	○	○	○	○	○	○	○	○	○	○	○	○	○	○	○	○	○	○	○	○
	IP66	140	2R=45 3R=75 4R=115 5R=145 6R=175	2G=45 3G=75 4G=95 5G=115 7G=145 8G=175	KWS6414/5414BP◆ Note 4	○	○	○	○	○	○	○	○	○	○	○	○	○	○	○	○	○	○	○	○		
					KWS6416/5416BP◆ Note 4	○	○	○	○	○	○	○	○	○	○	○	○	○	○	○	○	○	○	○	○	○	○
		230	2R=45 3R=75 4R=115 5R=145 6R=175	2G=45 3G=75 4G=95 5G=115 7G=145 8G=175	KWS6417/5417BP◆ Note 4	○	○	○	○	○	○	○	○	○	○	○	○	○	○	○	○	○	○	○	○		
					KWS6265/5265BW◆ Note 4	○	○	○	○	○	○	○	○	○	○	○	○	○	○	○	○	○	○	○	○	○	○
		350	2R=45 3R=95 4R=125 5R=145 6R=175	2G=45 3G=75 4G=95 5G=115 7G=145 8G=175	KWS6366/5366BW◆ Note 4	○	○	○	○	○	○	○	○	○	○	○	○	○	○	○	○	○	○	○	○		
					KWS6472/5472BW◆ Note 4	○	○	○	○	○	○	○	○	○	○	○	○	○	○	○	○	○	○	○	○	○	○
		KWS5476BW◆ Note 4	2R=45 3R=95 4R=125 5R=145 6R=175	2G=45 3G=75 4G=95 5G=115 7G=145 8G=175	KWS5522BP◆ Note 4	○	○	○	○	○	○	○	○	○	○	○	○	○	○	○	○	○	○	○	○	○	
					KWS5524BP◆ Note 4	○	○	○	○	○	○	○	○	○	○	○	○	○	○	○	○	○	○	○	○	○	○
SUS304	IP30	3K=80 4K=100 5K=120 7K=150 8K=180	280	KWS6205/5205BP□K Note 5	○	○	○	○	○	○	○	○	○	○	○	○	○	○	○	○	○	○	○	○			
				KWS6206/5206BP□K Note 5	○	○	○	○	○	○	○	○	○	○	○	○	○	○	○	○	○	○	○	○	○		
				KWS6411/5411BP□K Note 5	○	○	○	○	○	○	○	○	○	○	○	○	○	○	○	○	○	○	○	○	○	○	
				KWS6412/5412BP□K Note 5	○	○	○	○	○	○	○	○	○	○	○	○	○	○	○	○	○	○	○	○	○	○	
	430	4K=100 6K=130 7K=150 8K=180	KWS6414/5414BP□K Note 5	○	○	○	○	○	○	○	○	○	○	○	○	○	○	○	○	○	○	○	○	○			
			KWS5524BP□K Note 5	○	○	○	○	○	○	○	○	○	○	○	○	○	○	○	○	○	○	○	○	○	○		
	IP66	3K=80 4K=100 5K=120 7K=150 8K=160 Note 3	275	2G=45 3G=75 4G=95 5G=115 7G=145 8G=175	KWS6265/5265BW□K Note 5	○	○	○	○	○	○	○	○	○	○	○	○	○	○	○	○	○	○	○	○		
					KWS6366/5366BW□K Note 5	○	○	○	○	○	○	○	○	○	○	○	○	○	○	○	○	○	○	○	○	○	
					KWS6472/5472BW□K Note 5	○	○	○	○	○	○	○	○	○	○	○	○	○	○	○	○	○	○	○	○	○	○
					KWS5577BW□K Note 5	○	○	○	○	○	○	○	○	○	○	○	○	○	○	○	○	○	○	○	○	○	○
	425	4K=100 6K=130 7K=150 8K=180	2G=45 3G=75 4G=95 5G=115 7G=145 8G=175	KWS5577BW□K Note 5	○	○	○	○	○	○	○	○	○	○	○	○	○	○	○	○	○	○	○	○	○		
				KWS5577BW□K Note 5	○	○	○	○	○	○	○	○	○	○	○	○	○	○	○	○	○	○	○	○	○	○	

SV functions ensure both safety and system reliability.



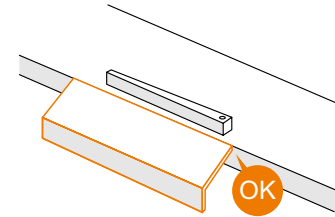
Rejection Confirmation

Ensures rejected products are fully removed from the line. A reject mounted sensor is used to monitor products.



Reject Operation Check

The reject actuator mounted sensor verifies operational status of both the reject gate and conveyor.

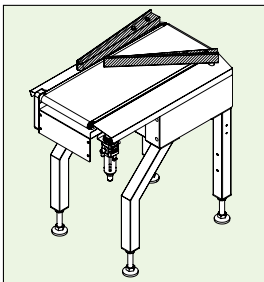


Chute Attachment Check

Removable reject chutes can be monitored to ensure attachment to the system.

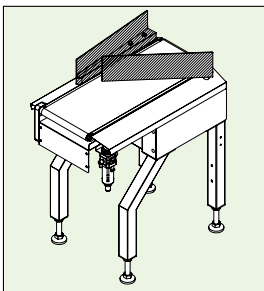
Option

Flipper Type



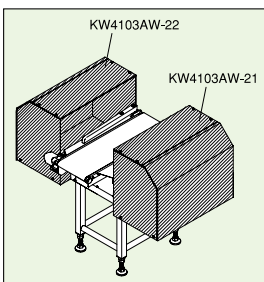
Rejection Gate for Thin Products

The system is designed to properly reject thinner products including small pouches and bagged products. The gap between the reject arm and the conveyor is minimized to prevent product jams.



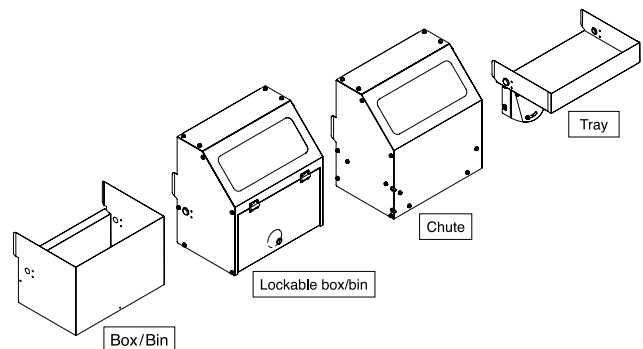
Rejection Gate for Tall Products

The system is designed to properly reject taller products including bottles. This design minimizes products tipping or falling however it may decrease throughput speeds.



NG Product Chute/NG Product Box (Reject Chutes, Bins and Boxes)

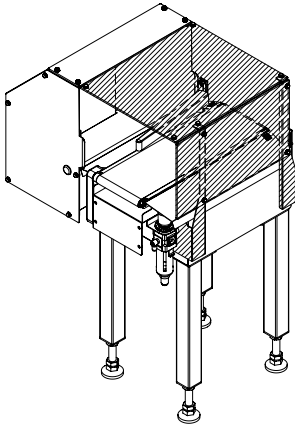
Stainless steel NG product chutes, bins and boxes (both lockable and open) are available for most models. The lockable boxes are recommended to minimize improper removal or feeding of rejected products.



Flipper Type

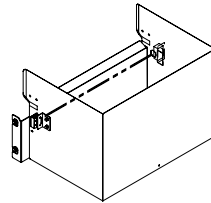
Contamination Prevention Cover (Reject Cover)

The cover ensures operator safety and prevents products being inappropriately fed onto the line. It is used in combination with Anritsu supplied NG product boxes/bins.



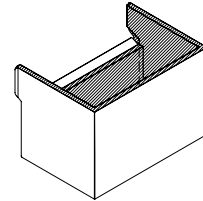
Bin Full Sensor

The sensor triggers an alarm if NG product bins or boxes are nearing capacity. This can prevent product overflows.



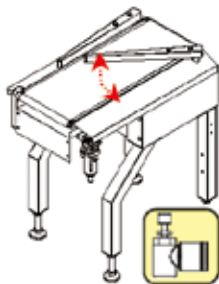
Shock Absorption Sheet

Attached to the inner surface of NG product boxes/bins or trays, the spongy sheet prevents damage to rejected products.



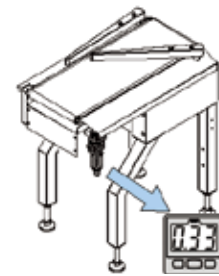
Variable Actuation Speed (reject arm)

Rejection speed can be manually reduced to better handle fragile products.



Air Pressure Detection (Low Air Pressure Alarm) (Flipper & Dropout)

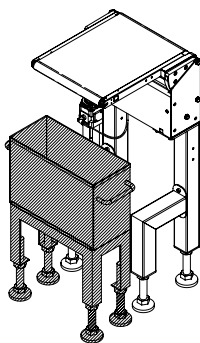
Air supply status is monitored to ensure pneumatically driven rejects are operational.



Dropout Type

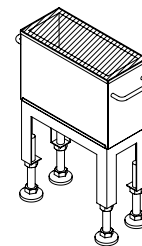
NG Product Box (Reject Box/Bin)

A stainless steel NG box/bin is available.



Shock Absorption Sheet

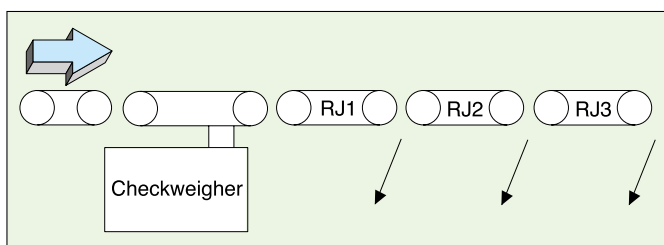
Attached to the inner surface of a NG product box or a tray, this spongy sheet prevents damage to rejected products. It also minimizes the sound of NG products falling into the NG product box/bin.



Additional Rejection Options (Checkweighers)

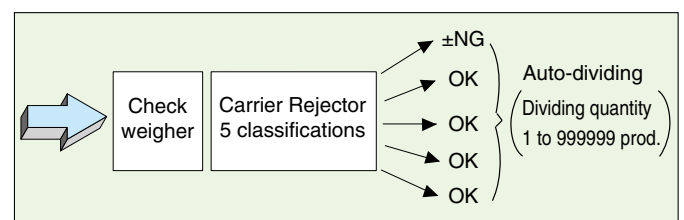
Rejection Shift Function (Multiple Rejection Controls)

Used when multiple rejects are connected in series; allows additional weight classifications to be added and separated.



Dividing Function (Separating Weight Classifications)

Sequentially divides passed products into 2 to 4 directions for each batch of the specified count or weight of products.



Compatible List of Rejectors: Flipper and Dropout type

Discontinued model	Type	Drive system	Exterior	Protection class	Recommended model ^{note1}		Remarks
					Model to be connected ^{note2}		
					SV/SSV Series Checkweigher	X-ray Inspection System, Metal Detector Non-SV /SSVseries Checkweigher	
KW412AA	Flipper	Pneumatic	Painted	IP30 Compliance	KW4132AFB▼	KW4132AFA▼	
KW412AAP	Flipper	Pneumatic	SUS	IP30 Compliance	KW4132APB▼	KW4132APA▼	
KW412AE KW412BE	Flipper	Electric	Painted	IP30 Compliance	KW4132GFB▼	KW4132GFA▼	
KW412AEP KW412BEP	Flipper	Electric	SUS	IP30 Compliance	KW4132GPB▼	KW4132GPA▼	
KW412AEL	Flipper	Electric	Painted	IP30 Compliance	KW4132GFB▼ ^{Note 3}	KW4132GFA▼ ^{Note 3}	
					KW4132HFB▼ ^{Note 4}	KW4132HFA▼ ^{Note 4}	
					KW4132JFB▼ ^{Note 5}	KW4132JFA▼ ^{Note 5}	
KW412AELP	Flipper	Electric	SUS	IP30 Compliance	KW4132GPB▼ ^{Note 3}	KW4132GPA▼ ^{Note 3}	
					KW4132HPB▼ ^{Note 4}	KW4132HPA▼ ^{Note 4}	
					KW4132JPB▼ ^{Note 5}	KW4132JPA▼ ^{Note 5}	
KW413AW	Flipper	Pneumatic	SUS	IP65 Compliance	KRA4103AW	KRA4103AW	KRA4103AW :IP66 compliance
KW4103AW	Flipper	Pneumatic	SUS	IP66 Compliance	KRA4103AW	KRA4103AW	
KW4104AW	Flipper	Pneumatic	SUS	IP66 Compliance	KRA4104AW	KRA4104AW	
KW413BA	Flipper	Pneumatic	Painted	IP30 Compliance	KW4133AFB▼	KW4133AFA▼	The belt width is 250 mm.
					KW4133BFB▼	KW4133BFA▼	The belt width is 250 mm.
KW413BAP	Flipper	Pneumatic	SUS	IP30 Compliance	KW4133APB▼	KW4133APA▼	The belt width is 250 mm.
					KW4133BPB▼	KW4133BPA▼	The belt width is 250 mm.
KW413BE	Flipper	Electric	Painted	IP30 Compliance	KW4133GFB▼	KW4133GFA▼	The belt width is 250 mm.
					KW4133HFB▼	KW4133HFA▼	The belt width is 250 mm.
KW413BEP	Flipper	Electric	SUS	IP30 Compliance	KW4133GPB▼	KW4133GPA▼	The belt width is 250 mm.
					KW4133HPB▼	KW4133HPA▼	The belt width is 250 mm.
KW414A	Flipper	Pneumatic	Painted	IP30 Compliance	KW4134CFB▼	KW4134CFA▼	The belt width is 400 mm.
KW4601A KW4601A1	Dropout	Pneumatic	Painted	IP30 Compliance	KW4610AFC▼ ^{Note 7}	KW4610AFA▼ ^{Note 6}	
KW4601AH KW4601AH1	Dropout	Pneumatic	Painted	IP30 Compliance	KW4610BFC▼ ^{Note 7}	KW4610BFA▼ ^{Note 6}	
KW4601AW	Dropout	Pneumatic	SUS	IP66 Compliance	KW4671BW ^{Note 7}	KRA4671AW ^{Note 6}	
KW4671DW	Dropout	Pneumatic	SUS	IP66 Compliance	KRA4671AW	KRA4671AW	
KW4602A KW4602A1	Dropout	Pneumatic	Painted	IP30 Compliance	KW4612AFC▼ ^{Note 7}	KW4612AFA▼ ^{Note 6}	The belt width is 250 mm.
KW4602AH KW4602AH1	Dropout	Pneumatic	Painted	IP30 Compliance	KW4612BFC▼ ^{Note 7}	KW4612BFA▼ ^{Note 6}	The belt width is 250 mm.
KW4602AW	Dropout	Pneumatic	SUS	IP66 Compliance	KW4672BW ^{Note 7}	KRA4672AW ^{Note 6}	The belt width is 230 mm.
KW4611A KW4611A1	Dropout	Pneumatic	Painted	IP30 Compliance	KW4610AFB▼	KW4610AFA▼	
KW4611AH KW4611AH1	Dropout	Pneumatic	Painted	IP30 Compliance	KW4610BFB▼	KW4610BFA▼	
KW4611AW	Dropout	Pneumatic	SUS	IP66 Compliance	KW4671CW	KRA4671AW	
KW4672DW	Dropout	Pneumatic	SUS	IP66 Compliance	KRA4672AW	KRA4672AW	
KW4612A KW4612A1	Dropout	Pneumatic	Painted	IP30 Compliance	KW4612AFB▼	KW4612AFA▼	The belt width is 250 mm.
KW4612AH KW4612AH1	Dropout	Pneumatic	Painted	IP30 Compliance	KW4612BFB▼	KW4612BFA▼	The belt width is 250 mm.
KW4612AW	Dropout	Pneumatic	SUS	IP66 Compliance	KW4672CW	KRA4672AW	The belt width is 230 mm.
KW4672DW	Dropout	Pneumatic	SUS	IP66 Compliance	KRA4672AW	KRA4672AW	
KW4613AW	Dropout	Pneumatic	SUS	IP66 Compliance	KW4676CW	KRA4676AW	
KW4676DW	Dropout	Pneumatic	SUS	IP66 Compliance	KRA4676AW	KRA4676AW	
KW4621AW	Dropout	Pneumatic	SUS	IP66 Compliance	KW4671CW	KRA4671AW	
KW4671DW	Dropout	Pneumatic	SUS	IP66 Compliance	KRA4671AW	KRA4671AW	
KW4622AW	Dropout	Pneumatic	SUS	IP66 Compliance	KW4672CW	KRA4672AW	The belt width is 230 mm.
KW4672DW	Dropout	Pneumatic	SUS	IP66 Compliance	KRA4672AW	KRA4672AW	
KW4623AW	Dropout	Pneumatic	SUS	IP66 Compliance	KW4676CW	KRA4676AW	
KW4676DW	Dropout	Pneumatic	SUS	IP66 Compliance	KRA4676AW	KRA4676AW	

Note 1) Line height needs to be changed (option) when it is not 700 to 850 mm (incl. tolerance part).

▼: An alphabet (A to C) that represents the SV function (diagnostic function) appears. A: With Rejection confirmation (PASS side), Gate operation check etc.

B: With Rejection confirmation (PASS side) only C: Without SV function

2-classification type is also available in the flipper rejectors. See page 6 to 9 and 12 to 15 for details.

Note 2) In the case of connecting with "Metal detector for aluminum foil packaging products" or "Checkweigher combined with metal detector for aluminum foil packaging products", the interval of 300 mm or more is needed.

Note 3) Maximum speed: 180 products/min, Machine length: 500 mm.

Note 4) Maximum product width: 130 mm, Maximum speed: 210 products/min, Machine length: 500 mm.

Note 5) Maximum product width: 100 mm, Maximum product length: 120 mm, Maximum product weight: 600 g, Machine length: 500 mm.

Note 6) Cannot be mounted as integrated type. Available as self-standing type.

Note 7) Cannot be mounted on checkweigher combined with metal detector.

Compatible List of Rejectors: Up and Out, Pusher, Carrier and Shuttle type

Discontinued model	Type	Drive system	Exterior	Protection class	Recommended model ^{note1}		Remarks
					Model to be connected ^{note2}		
					SV/SSV Series Checkweigher	X-ray Inspection System, Metal Detector Non-SV /SSVseries Checkweigher	
KW4603A	Up and Out	Pneumatic	Painted	IP30 Compliance	KW4610JFA▼ ^{Note 8}	KW4610JFA▼ ^{Note 8}	
KW4603AH	Up and Out	Pneumatic	Painted	IP30 Compliance	KW4610KFA▼ ^{Note 9}	KW4610KFA▼ ^{Note 9}	
KW4604A	Up and Out	Pneumatic	Painted	IP30 Compliance	KW4612JFA▼ ^{Note 10}	KW4612JFA▼ ^{Note 10}	The belt width is 250 mm.
KW4604AH	Up and Out	Pneumatic	Painted	IP30 Compliance	KW4612KFA▼ ^{Note 11}	KW4612KFA▼ ^{Note 11}	The belt width is 250 mm.
KW4605A	Up and Out	Pneumatic	Painted	IP30 Compliance	KW4610MFA▼ ^{Note 12}	KW4610MFA▼ ^{Note 12}	
KW4605AH	Up and Out	Pneumatic	Painted	IP30 Compliance	KW4612MFA▼ ^{Note 13}	KW4612MFA▼ ^{Note 13}	The belt width is 250 mm.
					KW4610MFA▼ ^{Note 12}	KW4610MFA▼ ^{Note 12}	
KW4606A	Up and Out	Pneumatic	Painted	IP30 Compliance	KW4612MFA▼ ^{Note 13}	KW4612MFA▼ ^{Note 13}	The belt width is 250 mm.
					KW4610MFA▼ ^{Note 12}	KW4610MFA▼ ^{Note 12}	
KW4606AH	Up and Out	Pneumatic	Painted	IP30 Compliance	KW4612MFA▼ ^{Note 13}	KW4612MFA▼ ^{Note 13}	The belt width is 250 mm.
KW4607A	Up and Out	Pneumatic	Painted	IP30 Compliance	KW4610JFA▼ ^{Note 14}	KW4610JFA▼ ^{Note 14}	
KW4607AH	Up and Out	Pneumatic	Painted	IP30 Compliance	KW4610JFA▼ ^{Note 14}	KW4610JFA▼ ^{Note 14}	
KW4609A	Up and Out	Pneumatic	Painted	IP30 Compliance	KW4612JFA▼ ^{Note 15}	KW4612JFA▼ ^{Note 15}	The belt width is 250 mm.
KW4609AH	Up and Out	Pneumatic	Painted	IP30 Compliance	KW4612JFA▼ ^{Note 15}	KW4612JFA▼ ^{Note 15}	The belt width is 250 mm.
KW4504A	Pusher	Pneumatic	Painted	IP30 Compliance	KRA4504AF	KRA4504AF	
K416C4	Carrier	Electric	Painted	IP30 Compliance	KRA4416C	KRA4416C	
K416CB4	Carrier	Electric	Painted	IP30 Compliance	KRA4416CB	KRA4416CB	
K416W4	Carrier	Electric	SUS	IP53 Compliance	KRA4416W	KRA4416W	
K416WB4	Carrier	Electric	SUS	IP53 Compliance	KRA4416WB	KRA4416WB	
K426W4	Carrier	Electric	SUS	IP53 Compliance	KRA4426W	KRA4426W	
RS3L <input type="checkbox"/> ^{Note 16}	Shuttle	Pneumatic	SUS	IP65 Compliance	—	RS3LR <input type="checkbox"/> -DC ^{Note 16}	
RS3R <input type="checkbox"/> ^{Note 16}	Shuttle	Pneumatic	SUS	IP65 Compliance	—	RS3RL <input type="checkbox"/> -DC ^{Note 16}	
RS4L <input type="checkbox"/> ^{Note 16}	Shuttle	Pneumatic	SUS	IP65 Compliance	—	RS4LR <input type="checkbox"/> -DC ^{Note 16}	
RS4R <input type="checkbox"/> ^{Note 16}	Shuttle	Pneumatic	SUS	IP65 Compliance	—	RS4RL <input type="checkbox"/> -DC ^{Note 16}	
RS5L <input type="checkbox"/> ^{Note 16}	Shuttle	Pneumatic	SUS	IP65 Compliance	—	RS5LR <input type="checkbox"/> -DC ^{Note 16}	
RS5R <input type="checkbox"/> ^{Note 16}	Shuttle	Pneumatic	SUS	IP65 Compliance	—	RS5RL <input type="checkbox"/> -DC ^{Note 16}	

Note 8) Maximum product height: 140 mm, Maximum product width: 150 mm (String packages: 240 mm), Machine length: 545 mm.

Note 9) Maximum product width: 120 mm (String packages: 240 mm), Machine length: 545 mm.

Note 10) Maximum product height: 180 mm, Maximum product width: 220 mm (String packages: 300 mm), Machine length: 695 mm.

Note 11) Maximum product width: 220 mm (String packages: 300 mm), Machine length: 695 mm.

Note 12) Maximum product height: 15 mm, Maximum product width: 80 mm, Machine length: 545 mm.

Note 13) Maximum product height: 30 mm, Maximum product width: 130 mm, Machine length: 695 mm.

Note 14) Machine length: 545 mm.

Note 15) Maximum product width: 220 mm (String packages: 300 mm), Machine length: 695 mm.

Note 16) : An alphabet (A or B) that represents the expandable/contractible part appears.

A: Downstream side of flow direction. B: Upstream side of flow direction.

See page 43 for details.



ANRITSU INFIVIS CO., LTD.

International Sales Department

5-1-1 Onna, Atsugi-shi, Kanagawa-Prf., 243-0032, JAPAN
TEL: +81-46-296-6699 FAX: +81-46-296-6786
<https://www.anritsu.com/infivis>

Anritsu Industrial Solutions (Shanghai) Co., Ltd.

3F, No.55, Lane 1505, Zuchongzhi Road, Zhangjiang Hi-tech Park, Pudong New Area, Shanghai 201203, P.R.China
TEL: +86-21-5046-3066 FAX: +86-21-5046-3068

ANRITSU INFIVIS (THAILAND) CO., LTD.

700/678 Moo 1, Amata Nakorn Industrial Estate, T. Pangthong A. Pangthong Chonburi Province Thailand 20160
TEL: +66 38-447180 FAX: +66 38-447182

ANRITSU INFIVIS LTD.

200 Capability Green Luton LU1 3LU, United Kingdom
TEL: +44(0)1582-433227 FAX: +44(0)1582-731303

ANRITSU INFIVIS INC.

1001 Cambridge Drive. Elk Grove Village, IL 60007-2453, U.S.A.
TEL: +1-847-419-9729 FAX: +1-847-537-8266

© ANRITSU INFIVIS CO., LTD. 2012

ISO14001 CERTIFICATE No.JQA-EM0210
ISO 9001 CERTIFICATE No.JQA-0316

- Some products shown in this catalog may not be available in your country or region. Contact our sales representatives for details.
- To ensure proper operation, read the Operation Manual before using the machine.
- In addition to daily inspection, a full maintenance inspection should be completed annually.

Specifications are subject to change without notice.
No part of this catalog may be reproduced without our permission.

Printed on Recycled Paper