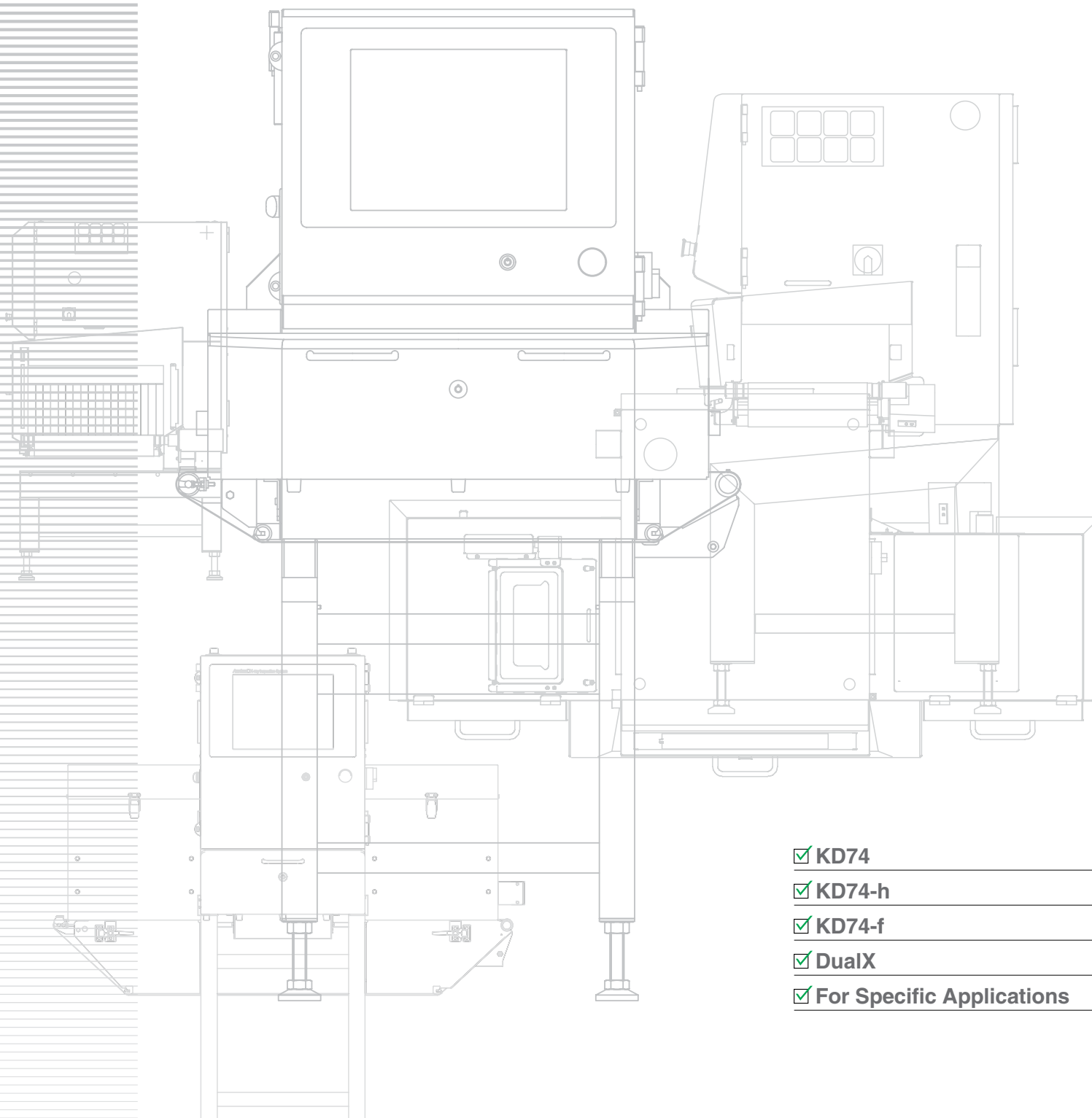


X-ray Inspection System



- ✓ KD74
- ✓ KD74-h
- ✓ KD74-f
- ✓ DualX
- ✓ For Specific Applications

X-ray Inspection System



Line up

Standard

KD74 series

Highly versatile system with a proven track record suits a wide range of packaged products. Simultaneous inspection including shape analysis, missing item and package integrity inspection are available.

Products	<input checked="" type="checkbox"/> Dry products	<input checked="" type="checkbox"/> Wet products
Protection class	<input type="checkbox"/> IP40	<input checked="" type="checkbox"/> IP66
X-ray output	<input type="checkbox"/> Low (max. 100W)	<input checked="" type="checkbox"/> Middle to High (max. 210W) <input type="checkbox"/> High (max. 350W)
Product range	<input checked="" type="checkbox"/> Size variations	

High Definition

KD74-h series

High accuracy detection technology detects a 0.2 diameter metal sphere. Suitable for soft contaminants that are of low-density, such as bone and plastics, as well as for minute metal particles.

Products	<input checked="" type="checkbox"/> Dry products	<input checked="" type="checkbox"/> Wet products
Protection class	<input type="checkbox"/> IP40	<input checked="" type="checkbox"/> IP66
X-ray output	<input type="checkbox"/> Low (max. 100W)	<input type="checkbox"/> Middle to High (max. 210W) <input checked="" type="checkbox"/> High (max. 350W)
Product range	<input checked="" type="checkbox"/> For metal particles	<input checked="" type="checkbox"/> For low density contaminants <input checked="" type="checkbox"/> Size variations

Entry

KD74-f series

With low X-ray output and simple construction, this series are suitable for dry products.

Products	<input checked="" type="checkbox"/> Dry products	<input type="checkbox"/> Wet products
Protection class	<input checked="" type="checkbox"/> IP40	<input type="checkbox"/> IP66
X-ray output	<input checked="" type="checkbox"/> Low (max. 100W)	<input type="checkbox"/> Middle to High (max. 210W) <input type="checkbox"/> High (max. 350W)
Product range	<input checked="" type="checkbox"/> Size variations	

DualX

Analyzing two different x-ray energy signals, it clearly distinguishes contaminants from products. Performs accurate inspection of low density bones in meat and overlapping products.

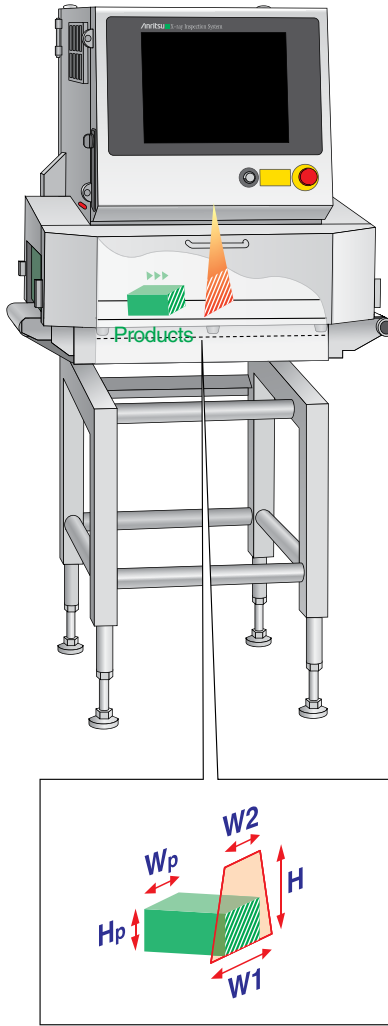
Products	<input checked="" type="checkbox"/> Dry products	<input checked="" type="checkbox"/> Wet products
Protection class	<input type="checkbox"/> IP40	<input checked="" type="checkbox"/> IP66
X-ray output	<input type="checkbox"/> Low (max. 100W)	<input checked="" type="checkbox"/> Middle to High (max. 210W) <input checked="" type="checkbox"/> High (max. 350W)
Product range	<input checked="" type="checkbox"/> High power	<input checked="" type="checkbox"/> Low power

For Specific Applications

X-ray systems in a variety of configurations offered to fit specific inspection requirements.

- Large bags and cartons
- Tall products
- Pharmaceutical
- Sanitary design
- Pipe type

Model Selection List



Model	Detection area (Units : mm)	Page
KD7405AWH/ADWH /BWH/BDWH	$\text{Effective detection width} = 240 - \frac{80 \times H_p}{120}$ $\text{Effective detection height} = \frac{120 \times (240 - W_p)}{80}$	4
KD7405CWT/DWT KD7405DWH		8, 9
KD7405KP/KDP		10
KD7405ABWH	$\text{Effective detection width} = 240 - \frac{40 \times H_p}{50}$ $\text{Effective detection height} = \frac{50 \times (240 - W_p)}{40}$	6
KD7405ACWH		7
KD7405KCP		10
KD7416AWH/ADWH /BWH/BDWH	$\text{Effective detection width} = 390 - \frac{110 \times H_p}{150}$ $\text{Effective detection height} = \frac{150 \times (390 - W_p)}{110}$	5
KD7416DWH		9
KD7416AWZE/ADWZE KD7416DWZ		11, 12
KD7416ABWH	$\text{Effective detection width} = 390 - \frac{35 \times H_p}{50}$ $\text{Effective detection height} = \frac{50 \times (390 - W_p)}{35}$	6
KD7416ACWH		7
KD7416ACWZE		11
KD7417BWH	$\text{Effective detection width} = 390 - \frac{160 \times H_p}{220}$ $\text{Effective detection height} = \frac{220 \times (390 - W_p)}{160}$	5
KD7417DWH		9
KD7447DW KD7447DWE KD7447FWE	$\text{Effective detection width} = 590 - \frac{180 \times H_p}{250}$ $\text{Effective detection height} = \frac{250 \times (590 - W_p)}{180}$ <p>● Pass height: 350 mm (Optional)</p> $\text{Effective detection width} = 590 - \frac{255 \times H_p}{350}$ $\text{Effective detection height} = \frac{350 \times (590 - W_p)}{255}$	13
KD7416AM	$\text{Effective detection width} = 365 - \frac{110 \times H_p}{150}$ $\text{Effective detection height} = \frac{150 \times (365 - W_p)}{110}$	14
KD7416ACM	$\text{Effective detection width} = 365 - \frac{35 \times H_p}{50}$ $\text{Effective detection height} = \frac{50 \times (365 - W_p)}{35}$	14
KD7478AWH KD7478BWH	<p>● When $H_p \leq 237$: Effective detection width = 150</p> <p>● When $237 < H_p \leq 307$:</p> $\text{Effective detection width} = \frac{150 \times (307 - H_p)}{70}$ $\text{Effective detection height} = 307 - \frac{70 \times W_p}{150}$	15
KD7490LYN	$\text{Effective detection width} = 100$ $\text{Effective detection height} = 30$	17

Note: Any one of the pass heights can be selected.

Standard

KD74 series

For Packaged Products

KD7405AWH/ADWH/BWH/BDWH

Maximum width Maximum height

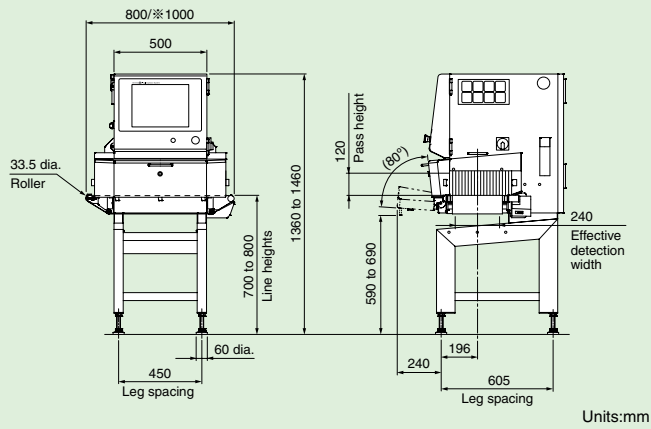
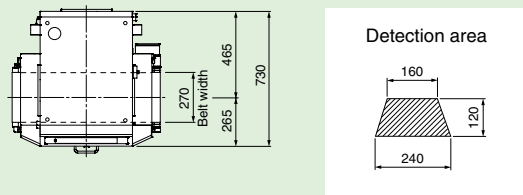
Detection area: 240 mm × 120 mm



KD7405AWH

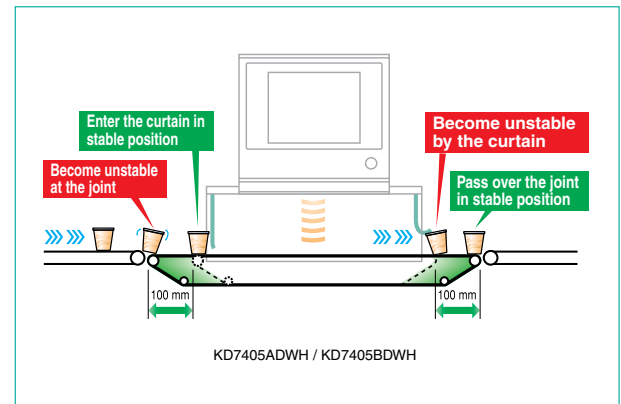
External Dimensions

KD7405AWH KD7405ADWH *
 KD7405BWH KD7405BDWH *



Units:mm

The conveyor is lengthened from 800 to 1000 for smooth product transfer.



Specifications

Model	KD7405AWH	KD7405ADWH	KD7405BWH	KD7405BDWH
Detection sensitivity ¹	Fe sphere and SUS sphere 0.3 mm dia., SUS wire 0.2 mm dia. × 2 mm long			
X-ray output	Tube voltage 25 to 60 kV, tube current 0.3 to 7.0 mA, output 7.5 to 210 W		Tube voltage 25 to 80 kV, tube current 0.3 to 7.0 mA, output 7.5 to 210 W	
Safety	X-ray leakage maximum 1μSv/h or less, prevention of x-ray leakage by safety devices			
Display	15-inch color TFT LCD (unified image monitoring screen and operation screen)			
Operation method	Touch panel (with touch buzzer)			
Detection area ^{2,3}	Maximum width 240 mm, maximum height 120 mm			
Belt width	270 mm			
Preset memory	Maximum 100			
Belt speed ⁴ Maximum product weight ⁵	5 to 60 m/min, maximum 5 kg			
	61 to 90 m/min, maximum 2 kg			
Power requirements ^{6,7,8}	5 to 40 m/min, maximum 10 kg (optional)			
	100 to 120 Vac or 200 to 240 Vac, single phase, 50/60 Hz, 1.0 kVA, rush current 80 A (typ.) (5 ms or less)			
Mass	210 kg	215 kg	220 kg	225 kg
Environmental conditions ⁹	Temperature: 0°C to 35°C (0°C to 40°C with optional air conditioner), relative humidity: 30% to 85%, non-condensing			
Protection class	Conveyor IP66, other parts IP40, tool free belt removal			
Exterior	Stainless steel (SUS304)			

1: Actual sensitivity depends on the physical properties of products (contents and shape) and on the environmental conditions. 2: The product size should fall below the detection area. 3: The entrance and exit may require covers depending on the length of a product. 4: Variable depending on Product No. 5: Sum total of product weight on the conveyor. 6: Selectable by switching terminals. Note that the rush current shown above is at an AC voltage of 200 V. It varies according to voltage. 7: Allowable power fluctuation range is ±10%. 8: Installing the air-conditioner option changes the displayed power consumption. 9: The air-conditioner option may be required depending on the operating environment. Note: The noise level of x-ray inspection systems is 77 dB(A).

KD74 series

KD74-h series

KD74-f series

DualX

For Specific Applications

Standard

KD74 series

For Packaged Products

KD7416AWH/ADWH/BWH/BDWH

Maximum width Maximum height
 Detection area: 390 mm × 150 mm

KD7417BWH

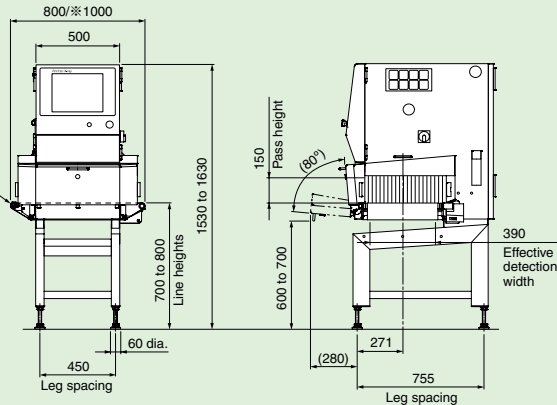
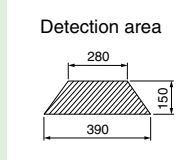
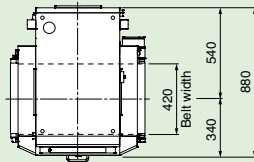
Maximum width Maximum height
 Detection area: 390 mm × 220 mm



KD7416AWH

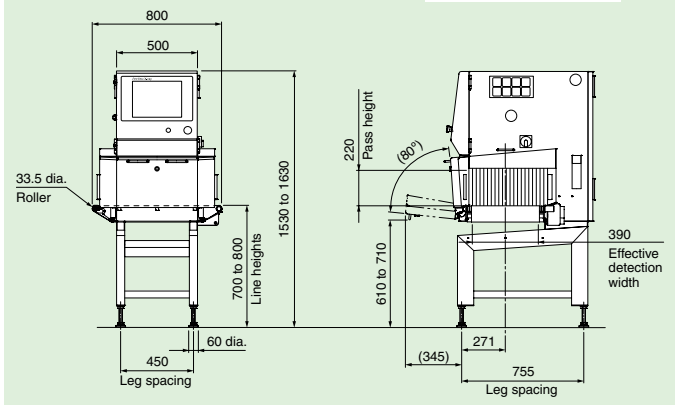
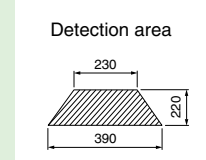
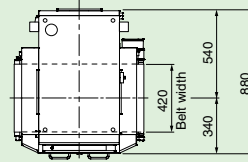
External Dimensions

KD7416AWH KD7416ADWH *
 KD7416BWH KD7416BDWH *



Units:mm

KD7417BWH



Units:mm

Specifications

Model	KD7416AWH	KD7416ADWH	KD7416BWH	KD7416BDWH	KD7417BWH
Detection sensitivity ¹	Fe sphere and SUS sphere 0.3 mm dia., SUS wire 0.2 mm dia. x 2 mm long				
X-ray output	Tube voltage 25 to 60 kV, tube current 0.3 to 7.0 mA, output 7.5 to 210 W		Tube voltage 25 to 80 kV, tube current 0.3 to 7.0 mA, output 7.5 to 210 W		
Safety	X-ray leakage maximum 1μSv/h or less, prevention of x-ray leakage by safety devices				
Display	15-inch color TFT LCD (unified image monitoring screen and operation screen)				
Operation method	Touch panel (with touch buzzer)				
Detection area ^{2,3}	Maximum width 390 mm, maximum height 150 mm				Maximum width 390 mm, maximum height 220 mm
Belt width	420 mm				
Preset memory	Maximum 100				
Belt speed ⁴	5 to 60 m/min, maximum 5 kg				5 to 40 m/min, maximum 10 kg
Maximum product weight ⁵	5 to 40 m/min, maximum 10 kg (optional)				—
Power requirements ^{6,7,8}	100 to 120 Vac or 200 to 240 Vac, single phase, 50/60 Hz, 1.0 kVA, rush current 80 A (typ.) (5 ms or less)				
Mass	255 kg	260 kg	265 kg	270 kg	265 kg
Environmental conditions ⁹	Temperature: 0°C to 35°C (0°C to 40°C with optional air conditioner), relative humidity: 30% to 85%, non-condensing				
Protection class	Conveyor IP66, other parts IP40, tool free belt removal				
Exterior	Stainless steel (SUS304)				

1: Actual sensitivity depends on the physical properties of products (contents and shape) and on the environmental conditions. 2: The product size should fall below the detection area. 3: The entrance and exit may require covers depending on the length of a product. 4: Variable depending on Product No. 5: Sum total of product weight on the conveyor. 6: Selectable by switching terminals. Note that the rush current shown above is at an AC voltage of 200 V. It varies according to voltage. 7: Allowable power fluctuation range is ±10%. 8: Installing the air-conditioner option changes the displayed power consumption. 9: The air-conditioner option may be required depending on the operating environment. Note: The noise level of x-ray inspection systems is 77 dB(A).

Standard

KD74 series

For Bulk Flow of Unpacked Fresh Food

KD7405ABWH

Maximum width Maximum height

Detection area: 240 mm × 50 mm

KD7416ABWH

Maximum width Maximum height

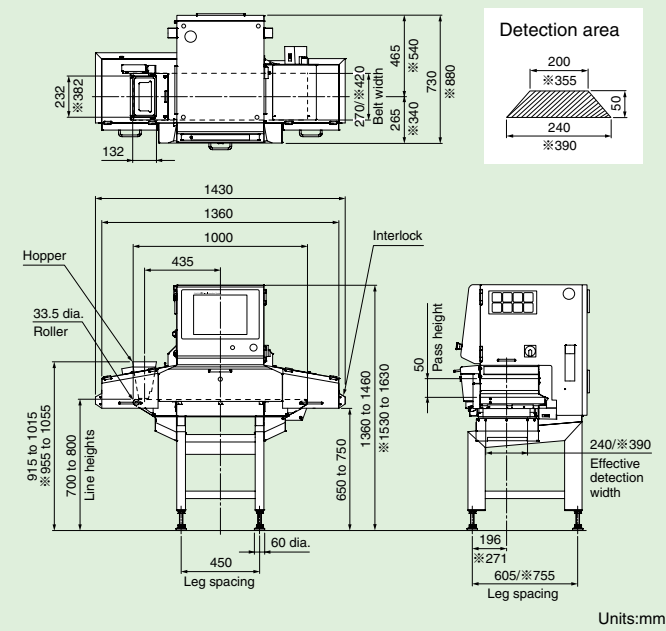
Detection area: 390 mm × 50 mm



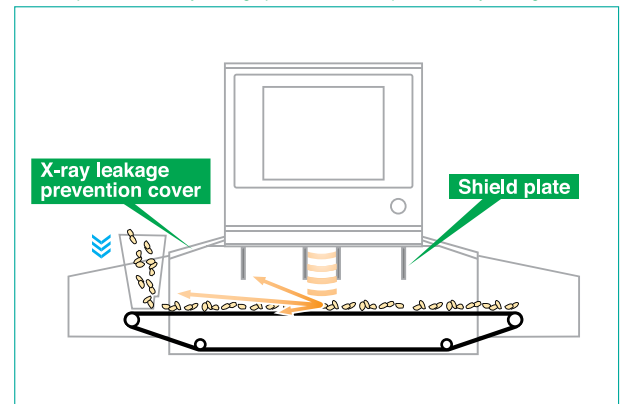
KD7405ABWH

External Dimensions

KD7405ABWH
KD7416ABWH *



A shield plate and a x-ray leakage prevention cover prevent x-ray leakage.



Specifications

Model	KD7405ABWH	KD7416ABWH
Detection sensitivity ¹	Fe sphere and SUS sphere 0.3 mm dia., SUS wire 0.2 mm dia. x 2 mm long	
X-ray output	Tube voltage 25 to 60 kV, tube current 0.3 to 7.0 mA, output 7.5 to 210 W	
Safety	X-ray leakage maximum 1μSv/h or less, prevention of x-ray leakage by safety devices	
Display	15-inch color TFT LCD (unified image monitoring screen and operation screen)	
Operation method	Touch panel (with touch buzzer)	
Detection area ^{2,3}	Maximum width 240 mm, maximum height 50 mm	Maximum width 390 mm, maximum height 50 mm
Belt width	270 mm	420 mm
Preset memory	Maximum 100	
Belt speed ⁴	5 to 50 m/min, maximum 5 kg	
Maximum product weight ⁵	5 to 40 m/min, maximum 10 kg (optional)	
Power requirements ^{6,7,8}	100 to 120 Vac or 200 to 240 Vac, single phase, 50/60 Hz, 1.0 kVA, rush current 80 A (typ.) (5 ms or less)	
Mass	230 kg	280 kg
Environmental conditions ⁹	Temperature: 0°C to 35°C (0°C to 40°C with optional air conditioner), relative humidity: 30% to 85%, non-condensing	
Protection class	Conveyor IP66, other parts IP40, tool free belt removal	
Exterior	Stainless steel (SUS304)	

1: Actual sensitivity depends on the physical properties of products (contents and shape) and on the environmental conditions. 2: The product size should fall below the detection area. 3: The entrance and exit may require covers depending on the length of a product. 4: Variable depending on Product No. 5: Sum total of product weight on the conveyor. 6: Selectable by switching terminals. Note that the rush current shown above is at an AC voltage of 200 V. It varies according to voltage. 7: Allowable power fluctuation range is ±10%. 8: Installing the air-conditioner option changes the displayed power consumption. 9: The air-conditioner option may be required depending on the operating environment. Note: The noise level of x-ray inspection systems is 77 dB(A).

Standard

KD74 series

For Lightweight Products and Those in Small Bags

KD7405ACWH

Maximum width Maximum height

Detection area: 240 mm × 50 mm

KD7416ACWH

Maximum width Maximum height

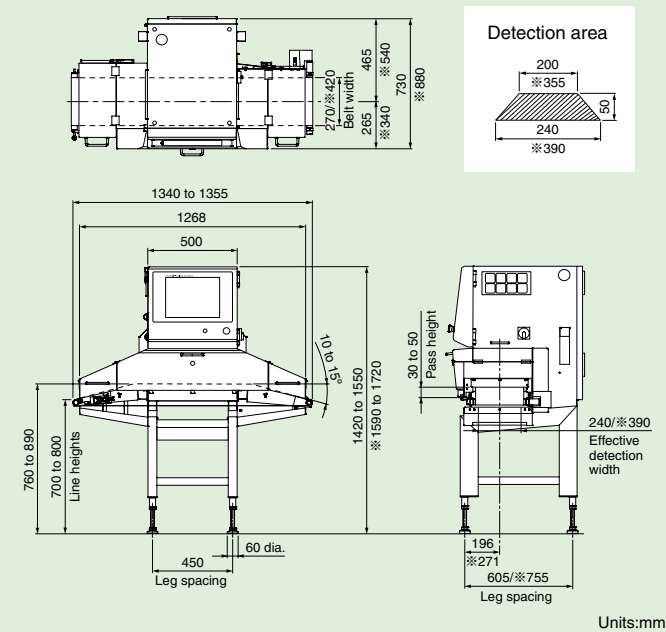
Detection area: 390 mm × 50 mm



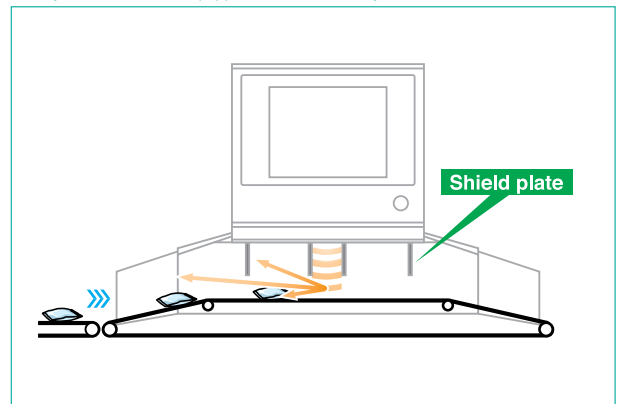
KD7405ACWH

External Dimensions

KD7405ACWH
KD7416ACWH *



Instead of x-ray protection curtains that could disrupt product flow, an inclined conveyor with covers is equipped for stable conveyance.



Specifications

Model	KD7405ACWH	KD7416ACWH
Detection sensitivity ¹	Fe sphere and SUS sphere 0.3 mm dia., SUS wire 0.2 mm dia. x 2 mm long	
X-ray output	Tube voltage 25 to 60 kV, tube current 0.3 to 7.0 mA, output 7.5 to 210 W	
Safety	X-ray leakage maximum 1μSv/h or less, prevention of x-ray leakage by safety devices	
Display	15-inch color TFT LCD (unified image monitoring screen and operation screen)	
Operation method	Touch panel (with touch buzzer)	
Detection area ^{2,3}	Maximum width 240 mm, maximum height 50 mm	Maximum width 390 mm, maximum height 50 mm
Belt width	270 mm	420 mm
Preset memory	Maximum 100	
Belt speed ⁴	5 to 50 m/min, maximum 5 kg	
Maximum product weight ⁵	5 to 40 m/min, maximum 10 kg (optional)	
Power requirements ^{6,7,8}	100 to 120 Vac or 200 to 240 Vac, single phase, 50/60 Hz, 1.0 kVA, rush current 80 A (typ.) (5 ms or less)	
Mass	230 kg	285 kg
Environmental conditions ⁹	Temperature: 0°C to 35°C (0°C to 40°C with optional air conditioner), relative humidity: 30% to 85%, non-condensing	
Protection class	Conveyor IP66, other parts IP40, tool free belt removal	
Exterior	Stainless steel (SUS304)	

1: Actual sensitivity depends on the physical properties of products (contents and shape) and on the environmental conditions. 2: The product size should fall below the detection area. 3: The entrance and exit may require covers depending on the length of a product. 4: Variable depending on Product No. 5: Sum total of product weight on the conveyor. 6: Selectable by switching terminals. Note that the rush current shown above is at an AC voltage of 200 V. It varies according to voltage. 7: Allowable power fluctuation range is ±10%. 8: Installing the air-conditioner option changes the displayed power consumption. 9: The air-conditioner option may be required depending on the operating environment. Note: The noise level of x-ray inspection systems is 77 dB(A).

High Definition

KD74-h series

For Packaged Products

KD7405CWT/DWT

Maximum width Maximum height

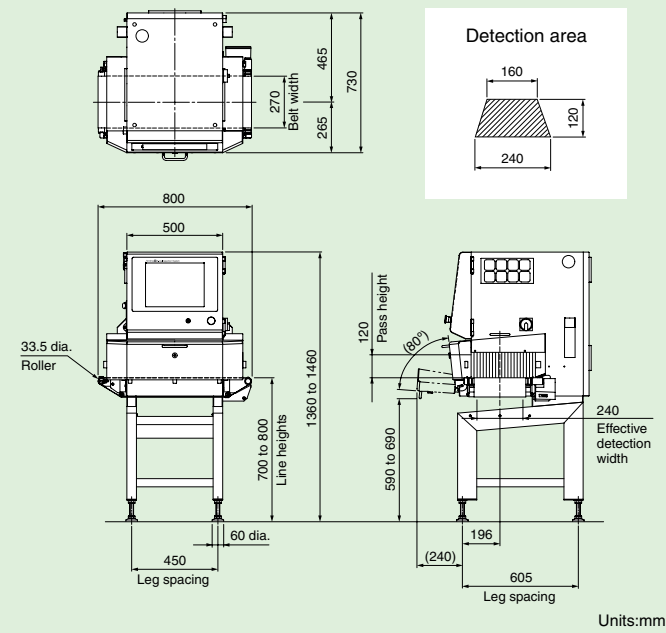
Detection area: 240 mm x 120 mm



KD7405DWT

External Dimensions

KD7405CWT
KD7405DWT



Specifications

Model	KD7405CWT	KD7405DWT
Detection sensitivity ¹	Fe sphere and SUS sphere 0.2 mm dia. ² , SUS wire 0.2 mm dia. x 2 mm long	
X-ray output	Tube voltage 25 to 60 kV, tube current 0.3 to 7.0 mA, output 7.5 to 300 W	Tube voltage 25 to 80 kV, tube current 0.3 to 10.0 mA, output 7.5 to 350 W
Safety	X-ray leakage maximum 1μSv/h or less, prevention of x-ray leakage by safety devices	
Display	15-inch color TFT LCD (unified image monitoring screen and operation screen)	
Operation method	Touch panel (with touch buzzer)	
Detection area ^{3,4}	Maximum width 240 mm, maximum height 120 mm	
Belt width	270 mm	
Preset memory	Maximum 100	
Belt speed ⁵ Maximum product weight ⁶	10 to 60 m/min, maximum 5 kg	
	61 to 90 m/min, maximum 2 kg	
Power requirements ^{7,8,9}	5 to 40 m/min, maximum 10 kg (optional)	
	100 to 120 Vac or 200 to 240 Vac, single phase, 50/60 Hz, 1.0 kVA, rush current 80 A (typ.) (5 ms or less)	
Mass	230 kg	
Environmental conditions ¹⁰	Temperature: 0°C to 35°C (0°C to 40°C with optional air conditioner), relative humidity: 30% to 85%, non-condensing	
Protection class	Conveyor IP66, other parts IP40, tool free belt removal	
Exterior	Stainless steel (SUS304)	

1: Actual sensitivity depends on the physical properties of products (contents and shape) and on the environmental conditions. 2: Reference value using Anritsu test piece. 3: The product size should fall below the detection area. 4: The entrance and exit may require covers depending on the length of a product. 5: Variable depending on Product No. 6: Sum total of product weight on the conveyor. 7: Selectable by switching terminals. Note that the rush current shown above is at an AC voltage of 200 V. It varies according to voltage. 8: Allowable power fluctuation range is ±10%. 9: Installing the air-conditioner option changes the displayed power consumption. 10: The air-conditioner option may be required depending on the operating environment. Note: The noise level of x-ray inspection systems is 77 dB(A).

High Definition

KD74-h series

For Packaged Products

KD7405DWH

Maximum width Maximum height
 Detection area: 240 mm × 120 mm

KD7416DWH

Maximum width Maximum height
 Detection area: 390 mm × 150 mm

KD7417DWH

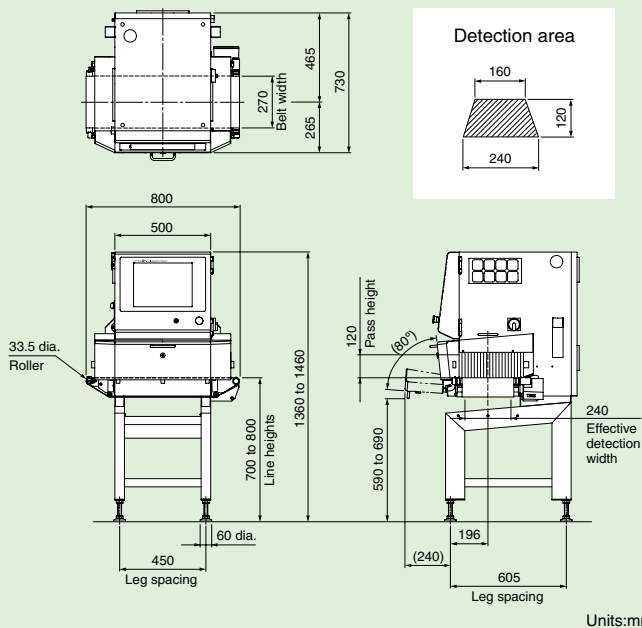
Maximum width Maximum height
 Detection area: 390 mm × 220 mm



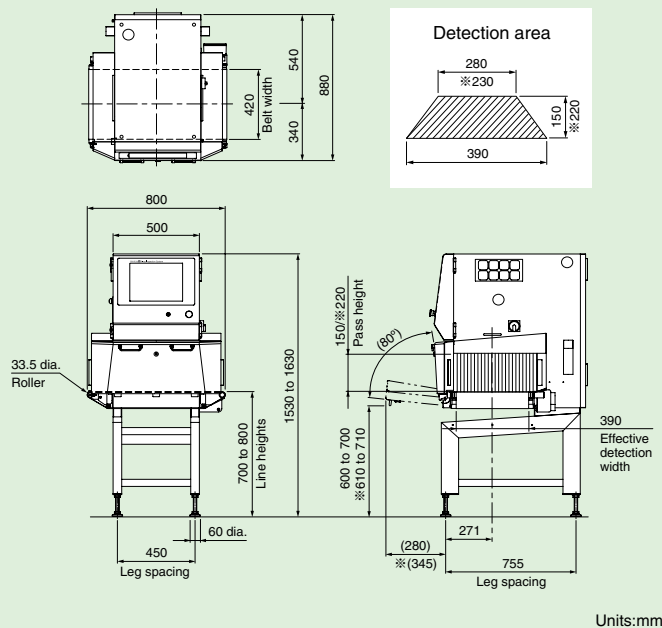
KD7416DWH

External Dimensions

KD7405DWH



KD7416DWH
 KD7417DWH *



Specifications

Model	KD7405DWH	KD7416DWH	KD7417DWH
Detection sensitivity ¹	Fe sphere and SUS sphere 0.3 mm dia., SUS wire 0.2 mm dia. × 2 mm long		
X-ray output	Tube voltage 25 to 80 kV, tube current 0.3 to 10.0 mA, output 7.5 to 350 W		
Safety	X-ray leakage maximum 1μSv/h or less, prevention of x-ray leakage by safety devices		
Display	15-inch color TFT LCD (unified image monitoring screen and operation screen)		
Operation method	Touch panel (with touch buzzer)		
Detection area ^{2,3}	Maximum width 240 mm, maximum height 120 mm	Maximum width 390 mm, maximum height 150 mm	Maximum width 390 mm, maximum height 220 mm
Belt width	270 mm	420 mm	
Preset memory	Maximum 100		
Belt speed ⁴	10 to 60 m/min, maximum 5 kg	5 to 60 m/min, maximum 5 kg	5 to 40 m/min, maximum 10 kg
Maximum product weight ⁵	61 to 90 m/min, maximum 2 kg	5 to 40 m/min, maximum 10 kg (optional)	—
	5 to 40 m/min, maximum 10 kg (optional)	—	—
Power requirements ^{6,7,8}	100 to 120 Vac or 200 to 240 Vac, single phase, 50/60 Hz, 1.0 kVA, rush current 80 A (typ.) (5 ms or less)		
Mass	230 kg	280 kg	
Environmental conditions ⁹	Temperature: 0°C to 35°C (0°C to 40°C with optional air conditioner), relative humidity: 30% to 85%, non-condensing		
Protection class	Conveyor IP66, other parts IP40, tool free belt removal		
Exterior	Stainless steel (SUS304)		

1: Actual sensitivity depends on the physical properties of products (contents and shape) and on the environmental conditions. 2: The product size should fall below the detection area. 3: The entrance and exit may require covers depending on the length of a product. 4: Variable depending on Product No. 5: Sum total of product weight on the conveyor. 6: Selectable by switching terminals. Note that the rush current shown above is at an AC voltage of 200 V. It varies according to voltage. 7: Allowable power fluctuation range is ±10%. 8: Installing the air-conditioner option changes the displayed power consumption. 9: The air-conditioner option may be required depending on the operating environment. Note: The noise level of x-ray inspection systems is 77 dB(A).

Entry

KD74-f series

For Packaged Products

KD7405KP/KDP

Maximum width Maximum height
 Detection area: 240 mm × 120 mm

For Lightweight Products and Those in Small Bags

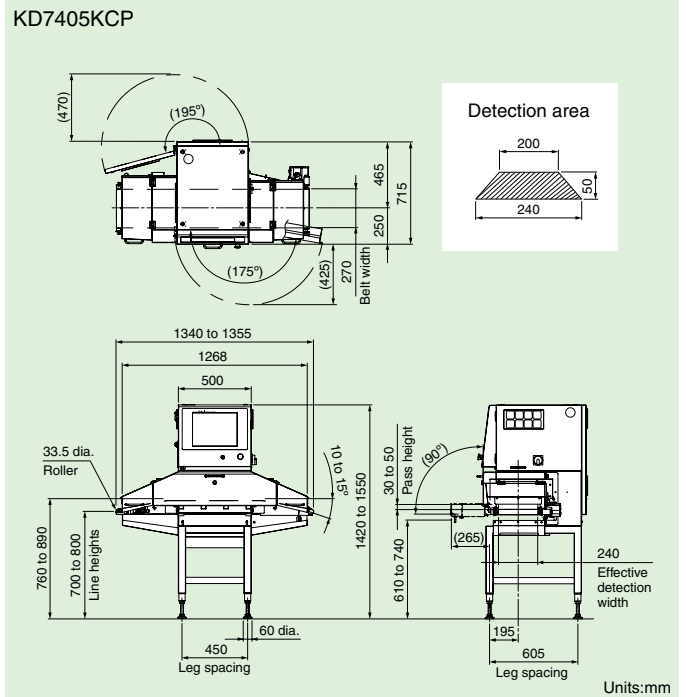
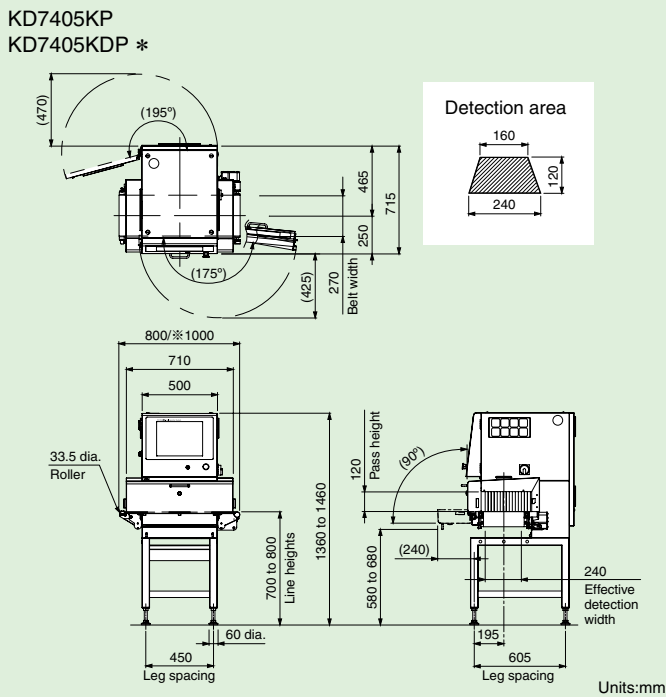
KD7405KCP

Maximum width Maximum height
 Detection area: 240 mm × 50 mm



KD7405KP

External Dimensions



Specifications

Model	KD7405KP	KD7405KDP	KD7405KCP
Detection sensitivity ¹	Fe sphere and SUS sphere 0.3 mm dia., SUS wire 0.2 mm dia. x 2 mm long		
X-ray output	Tube voltage 25 to 50 kV, tube current 0.3 to 4.0 mA, output 7.5 to 100 W		
Safety	X-ray leakage maximum 1μSv/h or less, prevention of x-ray leakage by safety devices		
Display	15-inch color TFT LCD (unified image monitoring screen and operation screen)		
Operation method	Touch panel (with touch buzzer)		
Detection area ^{2,3}	Maximum width 240 mm, maximum height 120 mm		Maximum width 240 mm, maximum height 50 mm
Belt width	270 mm		
Preset memory	Maximum 100		
Belt speed ⁴	5 to 60 m/min, maximum 3 kg		5 to 50 m/min, maximum 3 kg
Maximum product weight ⁵	61 to 80 m/min, maximum 2 kg		5 to 35 m/min, maximum 6 kg (optional)
	5 to 35 m/min, maximum 6 kg (optional)		—
Power requirements ^{6,7,8}	100 to 120 Vac or 200 to 240 Vac, single phase, 50/60 Hz, 700 VA, rush current 80 A (typ.) (5 ms or less)		
Mass	200 kg	205 kg	220 kg
Environmental conditions ⁹	Temperature: 0°C to 35°C (0°C to 40°C with optional air conditioner), relative humidity: 30% to 85%, non-condensing		
Protection class	Conveyor IP40, tool free belt removal		
Exterior	Stainless steel (SUS304)		

1: Actual sensitivity depends on the physical properties of products (contents and shape) and on the environmental conditions. 2: The product size should fall below the detection area. 3: The entrance and exit may require covers depending on the length of a product. 4: Variable depending on Product No. 5: Sum total of product weight on the conveyor. 6: Selectable by switching terminals. Note that the rush current shown above is at an AC voltage of 200 V. It varies according to voltage. 7: Allowable power fluctuation range is ±10%. 8: Installing the air-conditioner option changes the displayed power consumption. 9: The air-conditioner option may be required depending on the operating environment. Note: The noise level of x-ray inspection systems is 72 dB(A).

DualX

KD74 series DUAL ENERGY

For Packaged Products

KD7416AWZE/ADWZE

Maximum width Maximum height

Detection area: 390 mm × 150 mm

For Lightweight Products and Those in Small Bags

KD7416ACWZE

Maximum width Maximum height

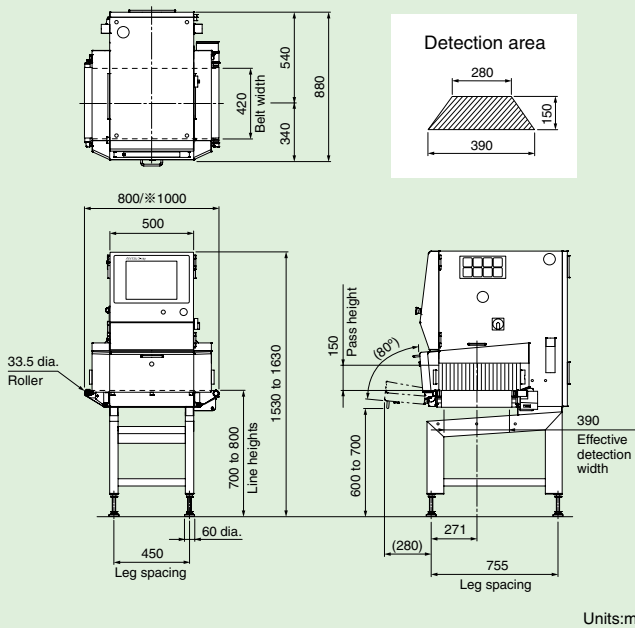
Detection area: 390 mm × 50 mm



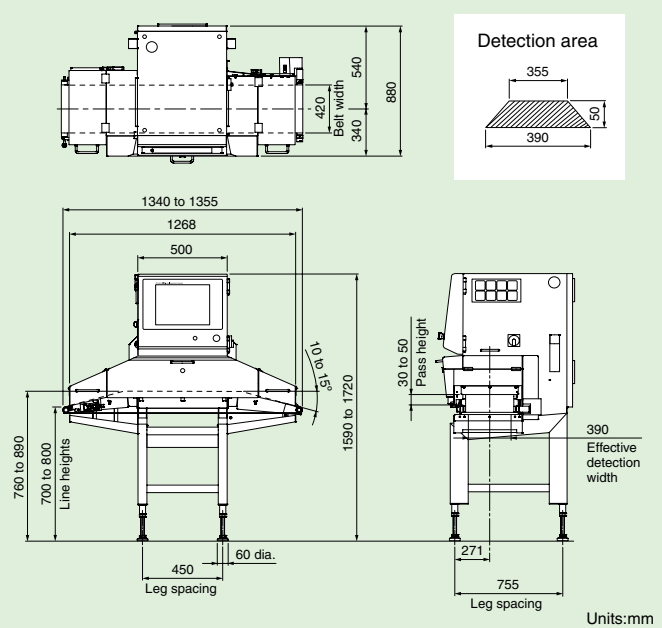
KD7416AWZE

External Dimensions

KD7416AWZE
KD7416ADWZE *



KD7416ACWZE



Specifications

Model	KD7416AWZE	KD7416ADWZE	KD7416ACWZE
X-ray output	Tube voltage 25 to 60 kV, tube current 0.3 to 7.0 mA, output 7.5 to 210 W		
Safety	X-ray leakage maximum 1µSv/h or less, prevention of x-ray leakage by safety devices		
Display	15-inch color TFT LCD (unified image monitoring screen and operation screen)		
Operation method	Touch panel (with touch buzzer)		
Detection area ^{1,2}	Maximum width 390 mm, maximum height 150 mm		Maximum width 390 mm, maximum height 50 mm
Belt width	420 mm		
Preset memory	Maximum 100		
Belt speed ³	10 to 60 m/min, maximum 5 kg		10 to 50 m/min, maximum 5 kg
Maximum product weight ⁴	10 to 40 m/min, maximum 10 kg (optional)		10 to 40 m/min, maximum 10 kg (optional)
Power requirements ^{5,6,7}	100 to 120 Vac or 200 to 240 Vac, single phase, 50/60 Hz, 1.0 kVA, rush current 80 A (typ.) (5 ms or less)		
Mass	255 kg	260 kg	285 kg
Environmental conditions ⁸	Temperature: 0°C to 35°C (0°C to 40°C with optional air conditioner), relative humidity: 30% to 85%, non-condensing		
Protection class	Conveyor IP66, other parts IP40, tool free belt removal		
Exterior	Stainless steel (SUS304)		

1: The product size should fall below the detection area. 2: The entrance and exit may require covers depending on the length of a product. 3: Variable depending on Product No. 4: Sum total of product weight on the conveyor. 5: Selectable by switching terminals. Note that the rush current shown above is at an AC voltage of 200 V. It varies according to voltage. 6: Allowable power fluctuation range is ±10%. 7: Installing the air-conditioner option changes the displayed power consumption. 8: The air-conditioner option may be required depending on the operating environment. Note: The noise level of x-ray inspection systems does not exceed 70 dB(A).

DualX

KD74 series  DUAL ENERGY

For Packaged Products

KD7416DWZ

Maximum width Maximum height

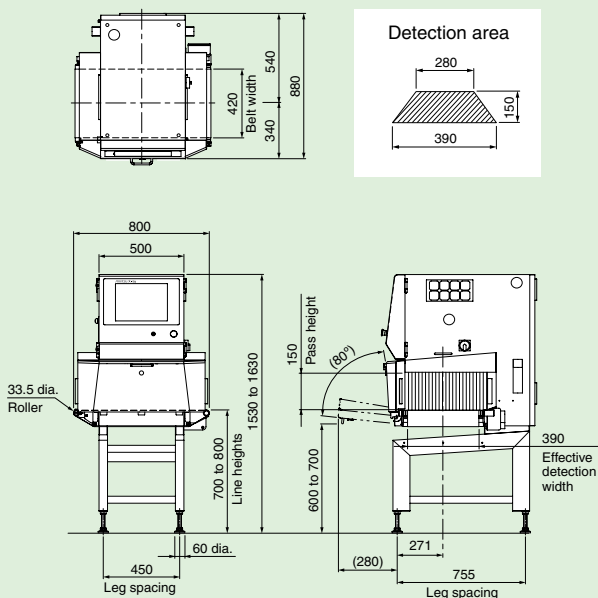
Detection area: 390 mm × 150 mm



KD7416DWZ

External Dimensions

KD7416DWZ



Units:mm

Specifications

Model	KD7416DWZ
X-ray output	Tube voltage 25 to 80 kV, tube current 0.4 to 10.0 mA, output 10 to 350 W
Safety	X-ray leakage maximum 1µSv/h or less, prevention of x-ray leakage by safety devices
Safety	15-inch color TFT LCD (unified image monitoring screen and operation screen)
Display	Touch panel (with touch buzzer)
Detection area ^{1,2}	Maximum width 390 mm, maximum height 150 mm
Belt width	420 mm
Preset memory	Maximum 100
Belt speed ³	5 to 60 m/min, maximum 5 kg
Maximum product weight ⁴	5 to 40 m/min, maximum 10 kg (optional)
Power requirements ^{5,6,7}	100 to 120 Vac or 200 to 240 Vac, single phase, 50/60 Hz, 1.0 kVA, rush current 80 A (typ.) (5 ms or less)
Mass	280 kg
Environmental conditions ⁸	Temperature: 0°C to 35°C (0°C to 40°C with optional air conditioner), relative humidity: 30% to 85%, non-condensing
Protection class	Conveyor IP66, other parts IP40, tool free belt removal
Exterior	Stainless steel (SUS304)

1: The product size should fall below the detection area. 2: The entrance and exit may require covers depending on the length of a product. 3: Variable depending on Product No. 4: Sum total of product weight on the conveyor. 5: Selectable by switching terminals. Note that the rush current shown above is at an AC voltage of 200 V. It varies according to voltage. 6: Allowable power fluctuation range is ±10%. 7: Installing the air-conditioner option changes the displayed power consumption. 8: The air-conditioner option may be required depending on the operating environment. Note: The noise level of x-ray inspection systems is 77 dB(A).

KD74 series

KD74-h series

KD74-f series

DualX

For Specific Applications

For Specific Applications

Large Products and Cartons

KD74 series

For Packaged Products

KD7447DW/DWE/FWE

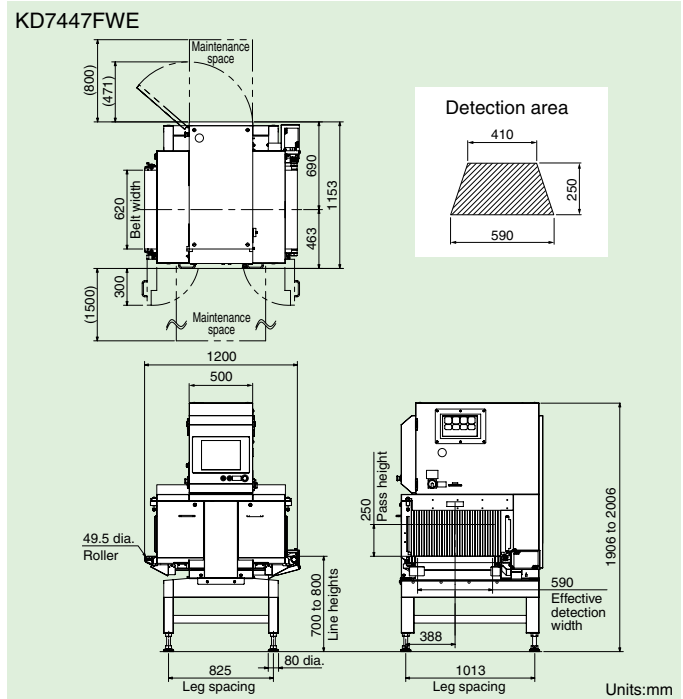
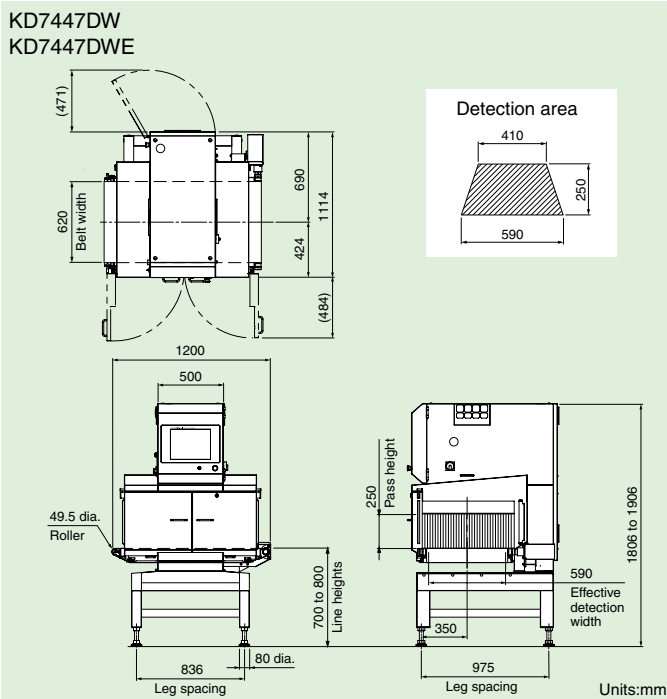
Maximum width Maximum height

Detection area: 590 mm × 250 mm



KD7447DW

External Dimensions



Specifications

Model	KD7447DW	KD7447DWE	KD7447FWE
Detection sensitivity ¹	Fe sphere and SUS sphere 0.4 mm dia.	Fe sphere and SUS sphere 0.5 mm dia.	Fe sphere and SUS sphere 0.8 mm dia.
X-ray output	Tube voltage 25 to 80 kV, tube current 0.3 to 10.0 mA, output 7.5 to 350 W		Tube voltage 80 to 100 kV, tube current 0.5 to 4.3 mA, output 40 to 350 W
Safety	X-ray leakage maximum 1μSv/h or less, prevention of x-ray leakage by safety devices		
Display	15-inch color TFT LCD (unified image monitoring screen and operation screen)		
Operation method	Touch panel (with touch buzzer)		
Detection area ^{2,3}	Maximum width 590 mm, maximum height 250 mm		
Belt width	620 mm		
Preset memory	Maximum 100		
Belt speed ⁴	10 to 35 m/min, maximum 50 kg		10 to 35 m/min, maximum 50 kg ⁷
Maximum product weight ⁵	36 to 40 m/min, maximum 30 kg ⁶		36 to 40 m/min, maximum 30 kg ⁷
	25 to 50 m/min, maximum 20 kg (optional)		25 to 50 m/min, maximum 20 kg (optional) ⁷
Power requirements ^{8,9,10}	100 to 120 Vac or 200 to 240 Vac, single phase, 50/60 Hz, 1.0 kVA, rush current 80 A (typ.) (5 ms or less)		200 to 240 Vac, single phase, 50/60 Hz, 1.0 kVA, rush current 80 A (typ.) (5 ms or less)
Mass	450 kg		650 kg
Environmental conditions ¹¹	Temperature: 0°C to 35°C (0°C to 40°C with optional air conditioner), relative humidity: 30% to 85%, non-condensing		
Protection class	Conveyor IP66, other parts IP40, tool free belt removal		
Exterior	Stainless steel (SUS304)		

1: Actual sensitivity depends on the physical properties of products (contents and shape) and on the environmental conditions. 2: The entrance and exit may require covers depending on the length of a product. 3: Pass height of 350 mm is available as an option. 4: Variable depending on Product No. 5: Sum total of product weight on the conveyor. 6: In an environment where water or oil regularly splashes the equipment, the maximum is 20 kg. 7: Can decrease if the conveyor is exposed to water or oil. 8: Allowable power fluctuation range is ±10%. 9: Selectable by switching terminals. Note that the rush current shown above is at an AC voltage of 200 V. It varies according to voltage. 10: Installing the air-conditioner option changes the displayed power consumption. 11: The air-conditioner option may be required depending on the operating environment. Note: The noise level of KD7447DW/KD7447DWE does not exceed 70 dB(A). The noise level of KD7447FWE is 72 dB (A).

For Specific Applications

Sanitary Design

KD74 series **SP**

IP69K

For Packaged Products

KD7416AM

Maximum width Maximum height
Detection area: 365 mm × 150 mm

For Unpackaged Fresh Meat, Poultry and Fish

KD7416ACM

Maximum width Maximum height
Detection area: 365 mm × 50 mm



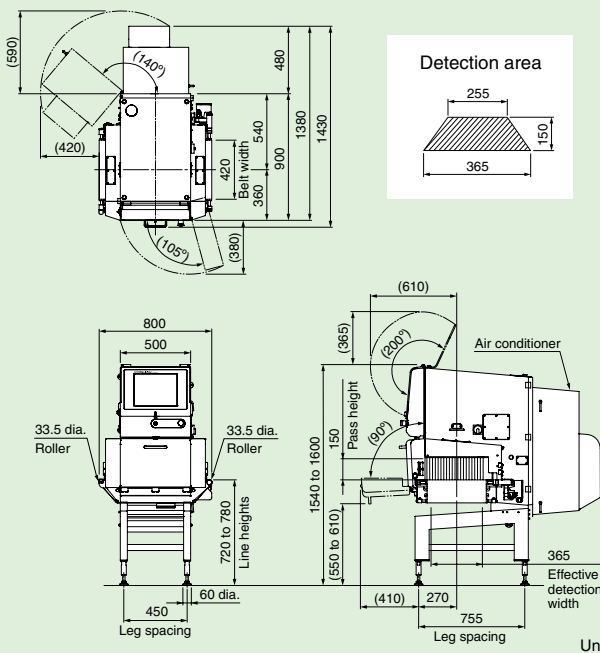
KD7416ACM

Air conditioner is equipped as standard.

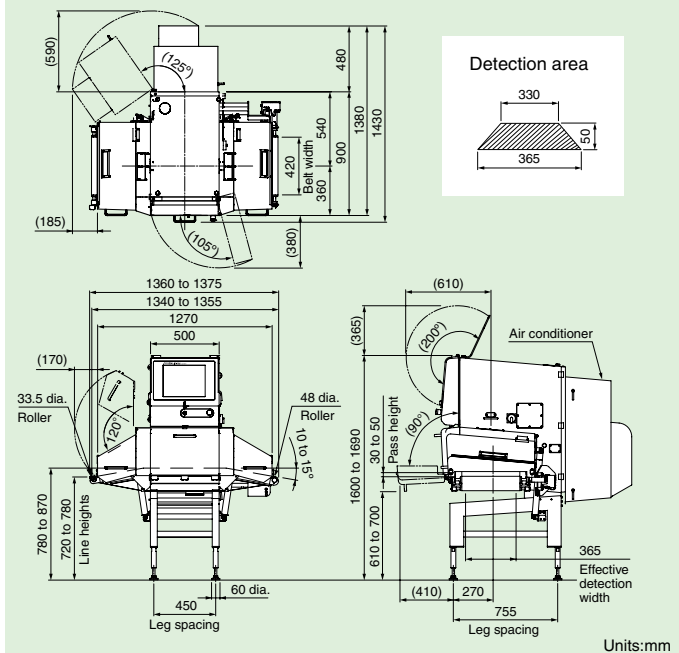
KD7416ADM (1000-mm long) and KD7416ABM (Hopper loading system) are also available. Contact our sales representatives for details.

External Dimensions

KD7416AM



KD7416ACM



Specifications

Model	KD7416AM	KD7416ACM
Detection sensitivity ¹	Fe sphere and SUS sphere 0.3 mm dia., SUS wire 0.2 mm dia. × 2 mm long	
X-ray output	Tube voltage 25 to 60 kV, tube current 0.3 to 7.0 mA, output 7.5 to 210 W	
Safety	X-ray leakage maximum 1μSv/h or less, prevention of x-ray leakage by safety devices	
Display	15-inch color TFT LCD (unified image monitoring screen and operation screen)	
Operation method	Touch panel (with touch buzzer)	
Detection area ^{2,3}	Maximum width 365 mm, maximum height 150 mm	Maximum width 365 mm, maximum height 50 mm
Belt width	420 mm	
Preset memory	Maximum 100	
Belt speed ⁴	5 to 40 m/min, maximum 5 kg	5 to 50 m/min, maximum 3 kg
Maximum product weight ⁵	5 to 35 m/min, maximum 10 kg (optional)	5 to 35 m/min, maximum 8 kg (optional)
Power requirements ^{6,7}	100 to 120 Vac or 200 to 240 Vac, single phase, 50/60 Hz, 1.6 kVA, rush current 80 A (typ.) (5 ms or less)	
Mass	335 kg	355 kg
Environmental conditions	Temperature: 0° to 35°C, relative humidity: 30% to 85%, non-condensing	
Protection class ⁸	IP69K (with all protection covers closed)	
Exterior	Stainless steel (SUS304)	
Cooling system	Air conditioner (standard equipped)	

1: Actual sensitivity depends on the physical properties of products (contents and shape) and on the environmental conditions. 2: The product size should fall below the detection area. 3: The entrance and exit may require covers depending on the length of a product. 4: Variable depending on Product No. 5: Sum total of product weight on the conveyor. 6: Selectable by switching terminals. Note that the rush current shown above is at an AC voltage of 200 V. It varies according to voltage. 7: Allowable power fluctuation range is ±10%. 8: Excluding air-conditioner ventilation hole. Note: The noise level of x-ray inspection systems is 82 dB(A).

For Specific Applications

Tall Products

KD74 series

For Packaged Products

KD7478AWH/BWH

Maximum width Maximum height

Detection area: 120 mm × 350 mm

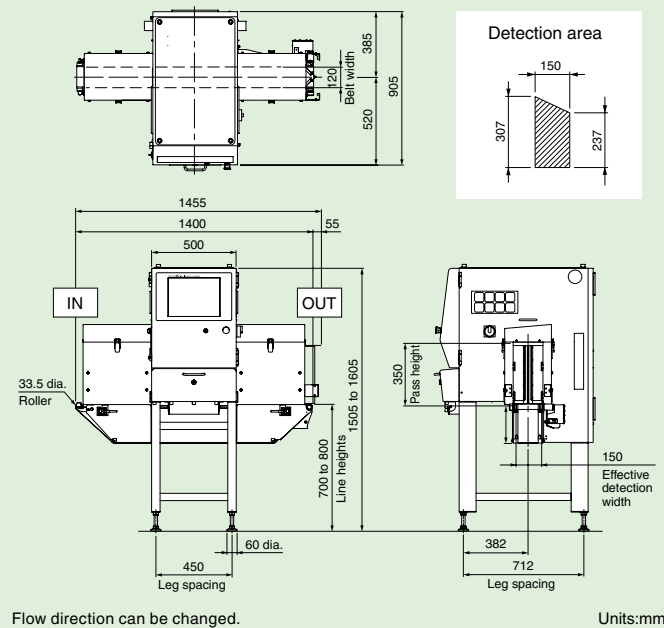
Note: Not usable for glass containers.



KD7478AWH

External Dimensions

KD7478AWH
KD7478BWH



Specifications

Model	KD7478AWH	KD7478BWH
Detection sensitivity ¹	Fe sphere and SUS sphere 0.4 mm dia.	
X-ray output	Tube voltage 25 to 60 kV, tube current 0.3 to 7.0 mA, output 7.5 to 210 W	Tube voltage 25 to 80 kV, tube current 0.3 to 7.0 mA, output 7.5 to 210 W
Safety	X-ray leakage maximum 1μSv/h or less, prevention of x-ray leakage by safety devices	
Display	15-inch color TFT LCD (unified image monitoring screen and operation screen)	
Operation method	Touch panel (with touch buzzer)	
Detection area ^{2,3}	Maximum width 120 mm, maximum height 350 mm	
Belt width	120 mm	
Preset memory	Maximum 100	
Belt speed ⁴ Maximum product weight ⁵	5 to 60 m/min, maximum 5 kg	
Power requirements ^{6,7,8}	100 to 120 Vac or 200 to 240 Vac, single phase, 50/60 Hz, 1.0 kVA, rush current 80 A (typ.) (5 ms or less)	
Mass	310 kg	315 kg
Environmental conditions ⁹	Temperature: 0°C to 35°C (0°C to 40°C with optional air conditioner), relative humidity: 30% to 85%, non-condensing	
Protection class	Conveyor IP66, other parts IP40, tool free belt removal	
Exterior	Stainless steel (SUS304)	

1: Actual sensitivity depends on the physical properties of products (contents and shape) and on the environmental conditions. 2: The product size should fall below the detection area. 3: The entrance and exit may require covers depending on the length of a product. 4: Variable depending on Product No. 5: Sum total of product weight on the conveyor. 6: Selectable by switching terminals. Note that the rush current shown above is at an AC voltage of 200 V. It varies according to voltage. 7: Allowable power fluctuation range is ±10%. 8: Installing the air-conditioner option changes the displayed power consumption. 9: The air-conditioner option may be required depending on the operating environment. Note: The noise level of x-ray inspection systems does not exceed 70 dB(A).

KD74 series

KD74-h series

KD74-f series

DualIX

For Specific Applications

For Specific Applications Pipe type

KD74 series Sp

For Pumped Products

KD7483AFWH

Solids in fluid

Product size: 12 mm

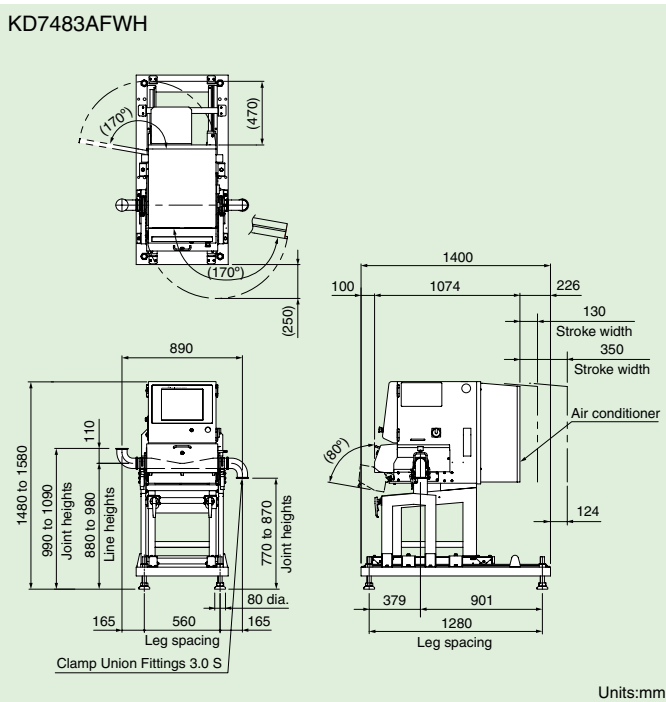
(Less than 1/3 of the minimum height of the inspection section)



KD7483AFWH

Air conditioner is equipped as standard.

External Dimensions



Specifications

Model	KD7483AFWH
Detection sensitivity ¹	Fe sphere and SUS sphere 0.6 mm dia. (when only water is conveyed)
X-ray output	Tube voltage 25 to 60 kV, tube current 0.3 to 7.0 mA, output 7.5 to 210 W
Safety	X-ray leakage maximum 1μSv/h or less, prevention of x-ray leakage by safety devices
Display	15-inch color TFT LCD (unified image monitoring screen and operation screen)
Operation method	Touch panel (with touch buzzer)
Product size	12 mm or smaller (less than 1/3 of the minimum height of the inspection section)
Product: solids in fluid	
Transfer pipe dimension	3-inch (76.2 mm) dia.
Inspection section pass height	35 mm (fixed)
Position change at sensitivity adjustment	Main unit position change (pipe position fixed)
Preset memory	Maximum 100
Processing capacity (flow)	11.0 kl/h
Power requirements ^{2, 3}	100 to 120 Vac or 200 to 240 Vac, single phase, 50/60 Hz, 1.6 kVA, rush current 80 A (typ.) (5 ms or less)
Mass	340 kg
Environmental conditions	Temperature: 0°C to 40°C, relative humidity: 30% to 85%, non-condensing
Protection class	Product transfer pipe IP66, other parts IP40
Exterior	Stainless steel (SUS304)
Cooling system	Air conditioner (standard equipped)

¹: Actual sensitivity depends on the physical properties of products (contents and shape) and on the environmental conditions. ²: Allowable power fluctuation range is ±10%. ³: Selectable by switching terminals. Note that the rush current shown above is at an AC voltage of 200 V. It varies according to voltage. Note: The noise level of x-ray inspection systems is 71 dB(A).

KD74 series

KD74-h series

KD74-f series

DualX

For Specific Applications

For Specific Applications

Pharmaceutical

KD74 series

For Pharmaceutical Products

KD7490LYN

Maximum width Maximum height

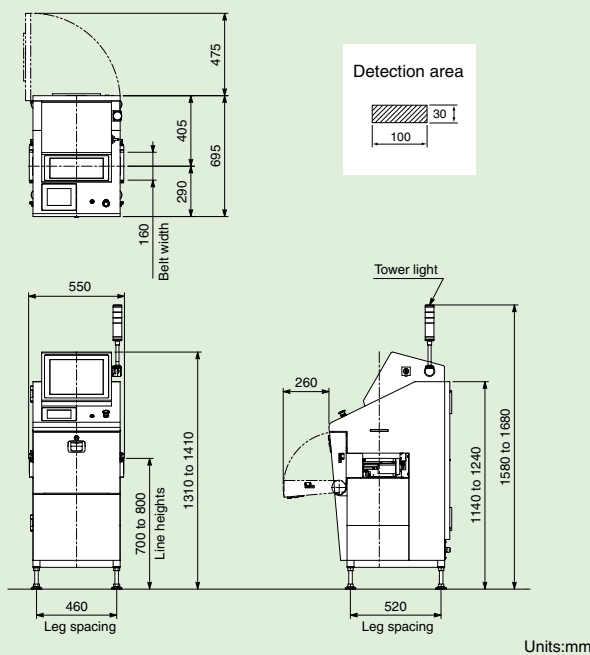
Detection area: 100 mm × 30 mm



KD7490LYN

External Dimensions

KD7490LYN



Specifications

Model	KD7490LYN
Application size ¹	Width: maximum 100 mm, Height: maximum 30 mm, Length: maximum 230 mm
Safety	X-ray leakage: Max 1μSv/h or less, Prevention of x-ray leakage by safety devices
Display	15-inch color TFT LCD (unified image monitoring screen and operation screen)
Operation method	Touch panel (with buzzer)
Preset memory	Maximum 100
Belt speed ²	10 to 40 m/min, Maximum 0.5 kg
Maximum product weight ³	
Power requirement ⁴	100 to 120 Vac or 200 to 240 Vac, single phase, 50/60 Hz, 300 VA
Mass	160 kg
Environmental conditions	Temperature: 10°C to 30°C, relative humidity: 30% to 85%, air pressure: 700 to 1060 hPa, non-condensing
Protection class	IP30
Exterior	Stainless steel (SUS304)

1: Width of 160 mm is available as an option. 2: Variable depending on Product No. 3: Sum total of product weight on the conveyor. 4: Allowable power fluctuation range is ±10%. Note: Noise level does not exceed 70 dB(A).

Safety management

It is your responsibility to check and ensure that you comply with all applicable laws and regulations of your country or region regarding the effect of x-ray exposure on pharmaceutical products. Anritsu conducted a research with the Nagoya City University about the effect of x-rays on the pharmaceutical quality of drug tablets and found that exposure to x-rays did not affect pharmaceutical quality of the drug content.

We exposed commercially available non-steroidal anti-inflammatory drugs (acetaminophen, loxoprofen and mefenamic acid) to x-rays of various doses from 0.34 mGy to 300 Gy, and evaluated the quality of the tablets using pharmaceutical tests. We found the samples exposed to x-rays exhibited almost the same profile in the tests as control samples (0 Gy). We also investigated the influences of heat and humidity on drug tablets after x-ray exposure, and confirmed that the combination of x-ray exposure with accelerated temperature and humidity tests (40°C, relative humidity 75%) also did not affect the pharmaceutical quality. For more details, refer to the full report at <http://informahealthcare.com/ddi>

Safety in design

Anritsu believes customer safety is of utmost importance.

Anritsu safety mechanism

Emergency stop switch

Cuts power to x-ray and drive circuits, stops the conveyor and x-ray radiation.

X-ray ON/OFF key

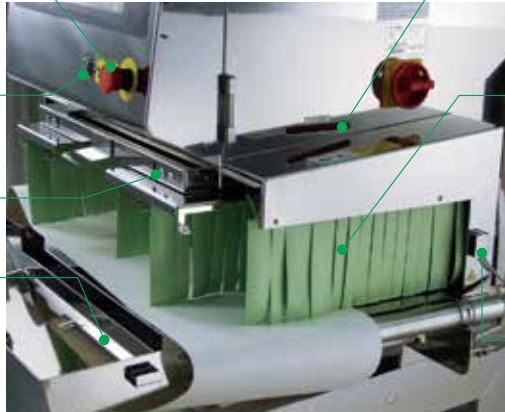
Turning the key to OFF stops x-ray radiation completely.

X-ray shield cover open/close sensor

Opening the cover stops x-ray radiation.

X-ray shield cover

Opened/Closed using x-ray Irradiation ON/OFF Key.
Opening the cover stops x-ray radiation due to the x-ray Shield Cover Open/Close Sensor.



X-ray irradiation display

The lamp is lit during x-ray radiation.

Leakage prevention curtain

Prevents x-ray leakage. For unpackaged or bulk products, the standard lead impregnated curtains are replaced with SUS covers – preventing direct food contact with the curtains.

Hand insertion sensor

Interrupting the sensor for a certain period of time stops x-ray radiation.

Safety management

X-ray Inspection System has been designed to fully satisfy the safe operation. However, to ensure even higher safety, use the safety procedures outlined below.

① Periodic measurement and recording of x-ray leakage data

③ Additional safety measures

Covers may need to be mounted on upstream and downstream conveyors instead of the shield curtains, depending on the shape, weight, and package of products.

② Management of operator working hours

④ No disassembly or modification

NEVER modify or disassemble the main unit, covers, x-ray leakage prevention curtains, safety covers, safety interlocks, etc., otherwise the x-ray leak-proof design may no longer be functional.

Safety of inspected products

WHO concluded in 1980 that the “irradiation of any food commodity up to an overall average dose of 10 kGy presents no toxicological hazard and introduces no special nutritional or microbiological problems.”

The maximum dose of x-ray irradiation to the products to be inspected by our x-ray inspection systems is 0.002 Gy, which is much lower than the value described above. Even if a product stops inside, the x-ray dose is always kept to 0.1 Gy or less.

Note: Follow the local laws and regulations regarding the installation and use of the x-ray inspection systems.



ANRITSU INFIVIS CO., LTD.

International Sales Department

5-1-1 Onna, Atsugi-shi, Kanagawa-Prf., 243-0032, JAPAN
TEL: +81-46-296-6699 FAX: +81-46-296-6786
<http://www.anritsu.com/infivis>

Anritsu Industrial Solutions (Shanghai) Co., Ltd.

3F, No.55, Lane 1505, Zuchongzhi Road, Zhangjiang Hi-tech Park, Pudong New Area, Shanghai 201203, P.R.China
TEL: +86-21-5046-3066 FAX: +86-21-5046-3068

ANRITSU INFIVIS (THAILAND) CO., LTD.

700/678 Moo 1, Amata Nakorn Industrial Estate, T. Pangthong A. Pangthong Chonburi Province Thailand 20160
TEL: +66 38-447180 FAX: +66 38-447182

ANRITSU INFIVIS LTD.

200 Capability Green Luton LU1 3LU, United Kingdom
TEL: +44(0)1582-433227 FAX: +44(0)1582-731303

ANRITSU INFIVIS INC.

1001 Cambridge Drive. Elk Grove Village, IL 60007-2453, U.S.A.
TEL: +1-847-419-9729 FAX: +1-847-537-8266

© ANRITSU INFIVIS CO., LTD. 2014

ISO14001 CERTIFICATE No.JQA-EM0210
ISO 9001 CERTIFICATE No.JQA-0316

- Some products shown in this catalog may not be available in your country or region. Contact our sales representatives for details.
- To ensure proper operation, read the Operation Manual before using the machine.
- In addition to daily inspection, a full maintenance inspection should be completed annually.

Specifications are subject to change without notice.
No part of this catalog may be reproduced without our permission.

Printed on Recycled Paper