

Agilent 5800 and 5900 ICP-OES

## User's Guide



# Notices

## Manual Part Number

G8020-90002

Edition 1, October 2019

## Copyright

© Agilent Technologies, Inc. 2019

No part of this manual may be reproduced in any form or by any means (including electronic storage and retrieval or translation into a foreign language) without prior agreement and written consent from Agilent Technologies, Inc. as governed by United States and international copyright laws.

Printed in Malaysia

Agilent Technologies, Australia (M) Pty Ltd

679 Springvale Road

Mulgrave, Victoria, 3170

Australia

[www.agilent.com](http://www.agilent.com)

## Warranty

The material contained in this document is provided "as is," and is subject to being changed, without notice, in future editions. Further, to the maximum extent permitted by applicable law, Agilent disclaims all warranties, either express or implied, with regard to this manual and any information contained herein, including but not limited to the implied warranties of merchantability and fitness for a particular purpose. Agilent shall not be liable for errors or for incidental or consequential damages in connection with the furnishing, use, or performance of this document or of any information contained herein. Should Agilent and the user have a separate written agreement with warranty terms covering the material in this document that conflict with these terms, the warranty terms in the separate agreement shall control.

## Technology Licenses

The hardware and/or software described in this document are furnished under a license and may be used or copied only in accordance with the terms of such license.

## Restricted Rights Legend

U.S. Government Restricted Rights. Software and technical data rights granted to the federal government include only those rights customarily provided to end user customers. Agilent provides this customary commercial license in Software and technical data pursuant to FAR 12.211 (Technical Data) and 12.212 (Computer Software) and, for the Department of Defense, DFARS 252.227-7015 (Technical Data - Commercial Items) and DFARS 227.7202-3 (Rights in Commercial Computer Software or Computer Software Documentation).

## Safety Notices

### CAUTION

A **CAUTION** notice denotes a hazard. It calls attention to an operating procedure, practice, or the like that, if not correctly performed or adhered to, could result in damage to the product or loss of important data. Do not proceed beyond a **CAUTION** notice until the indicated conditions are fully understood and met.

### WARNING

A **WARNING** notice denotes a hazard. It calls attention to an operating procedure, practice, or the like that, if not correctly performed or adhered to, could result in personal injury or death. Do not proceed beyond a **WARNING** notice until the indicated conditions are fully understood and met.

# Contents

<b>1</b>	<b>Safety Practices and Hazards</b>	<b>7</b>
	General	7
	Verifying Safe State	8
	Plasma	8
	Heat, Vapors and Fumes	9
	Compressed Gas Hazards	9
	Electrical Hazards	10
	Other Precautions	11
	Warning Symbols	12
<b>2</b>	<b>Introduction</b>	<b>15</b>
	Site Preparation Requirements	15
	User Documentation	15
	Conventions	16
	Notes and tips	16
	ICP-OES Argon Gas Supply	16
	Exhaust System	17
	ICP-OES Instrument Cooling Air Supply	17
	Water Chiller System	18
	Drain Vessel	18
<b>3</b>	<b>Installation</b>	<b>19</b>
	Agilent ICP-OES Instrument Overview	20
	Instrument Status LED Color Coding	22
	Front Power On/Off Button	22
	ICP Expert Software	23
	Connecting ICP Expert software to the ICP-OES	24

## Contents

Performing a Detector and Wavelength Calibration	24
Saving and viewing the calibration data	25
Hardware Components Replacement	25
ICP-OES torches	26
Torch Assembly and Disassembly	27
Assembly of the semi-demountable torch	28
Assembly of the fully demountable torch	31
Torch disassembly	32
Accessories	35
SPS 4	35
Advanced Valve System (AVS) – AVS 4, AVS 6 and AVS 7	36
External Inlet Duct Adapter	36
Vapor Generation Accessory (VGA)	36
Multimode Sample Introduction System (MSIS)	36
Argon Humidifier	37
IsoMist Programmable Temperature Spray Chamber	37
<b>4 Operation</b>	<b>39</b>
Analysis Checklist	39
Turning On the Instrument and Software	40
Turning on the instrument for the first time (or from long term shutdown)	40
Running the instrument from standby	41
Preparing for Analysis	41
Performing a Detector and Wavelength Calibration	42
Creating/Opening a Worksheet	42
Creating a new worksheet	42
Opening an existing worksheet	43

Creating a new worksheet from a template	43
Developing a Method	43
Running Samples	45
Printing a Report	45
Turning Off the Instrument	46
Instrument Standby Mode with argon on	46
Instrument Standby Mode with argon off	46
Setting the instrument to Standby Mode with argon on or off	47
Turning off the instrument for long term shutdown	48
<b>5 Maintenance and Troubleshooting</b>	<b>51</b>
Routine	52
Cleaning	54
Torch Cleaning	54
Important	55
Acid soak cleaning procedure for the torch for aqueous or acid-based samples (one piece and semi-demountable torches)	56
Rinsing the torch	59
Drying the torch	61
Additional checks after cleaning	62
Troubleshooting	63
Spare Parts	63
Technical Support	64

## Contents

This page is intentionally left blank.

# 1

## Safety Practices and Hazards

General	7
Verifying Safe State	8
Plasma	8
Heat, Vapors and Fumes	9
Compressed Gas Hazards	9
Electrical Hazards	10
Other Precautions	11
Warning Symbols	12

### General

Unless otherwise specified, statements in this manual apply to both the Agilent 5800 and 5900 ICP-OES instruments.

Operation of an Agilent ICP-OES involves the use of compressed gases, high voltage radio frequency energy and hazardous materials including corrosive fluids and flammable liquids. Careless, improper or unskilled use of this spectrometer or chemicals used with it can cause death or serious injury to personnel, and/or severe damage to equipment and property. Only trained personnel should use this instrument.

The spectrometer incorporates interlocks and covers that are designed to prevent inadvertent contact with any potential hazards. If the instrument is used in any manner not specified by Agilent, this protection provided by the equipment may be impaired. It is good practice to develop safe working habits that do not depend upon the correct operation of the interlocks for safe operation. It is essential that no interlock or cover is bypassed, damaged or removed.

The safety practices described below are provided to help the user operate the instrument safely. Read each safety topic thoroughly before attempting to operate the instrument and always operate the spectrometer in accordance with these safety practices.

### Verifying Safe State

The following general safety precautions must be observed during all phases of operation, maintenance and service of this instrument.

To ensure continued safety of the instrument after maintenance or service procedures verify the instrument is returned to a safe state for the user. This includes running performance checks to verify the instruments safety systems are functioning correctly. Check the general condition of the instrument during operation for wear or signs of corrosion that are likely to inhibit function or safety.

Failure to comply with these precautions or with specific warnings elsewhere in this manual violates safety standards of design, manufacture, and intended use of the instrument. Agilent Technologies assumes no liability for the customer's failure to comply with these requirements.

### Plasma

The plasma is extremely hot (about 10,000 °C) and radiates dangerous levels of radio frequency (RF) and ultraviolet (UV) energy. The work coil operates at 1,500 V RMS and about 27 MHz. Exposure to the RF and UV energy can cause severe skin damage and cataracts of the eyes, while close contact with the operating plasma can result in severe heat burns to the skin, and an electrical discharge that can jump a considerable distance and may cause death, severe electric shock or sub-surface skin burns.

The plasma must never be operated unless:

- the plasma compartment door is closed, with the door handle fully closed; and
- the space above the chimney and air intake is clear of objects.

The shielding around the torch compartment is designed to reduce UV, visible and RF radiation to safe levels while still permitting easy access to, as well as installation and viewing of, the torch. The spectrometer has an interlock system that is designed to extinguish the plasma if the mains supply fails, the handle on the torch compartment door is opened, or the torch loading handle is open. Do not attempt to bypass the interlock system.



## Safety Practices and Hazards

Before opening the torch compartment door, *always* extinguish the plasma by pressing SHIFT + F5 on the keyboard or by clicking the 'Plasma Off' icon on the ICP Expert software toolbar.

The torch and its surroundings remain hot for up to five minutes after the plasma is extinguished. Touching this area before it has cooled sufficiently may result in burns. Allow the torch and torch compartment to cool before carrying out any work in this area, or wear heat-resistant gloves.

The plasma system has been carefully designed to operate safely and effectively when using torches and related components that conform to Agilent's design criteria. Use of non-approved components in the plasma compartment may render the system inoperative and/or hazardous. It may also invalidate the warranty on the instrument. Use only torches and related components supplied or authorized by Agilent.

## Heat, Vapors and Fumes

Heat, ozone, vapors and fumes generated by the plasma can be hazardous and must be extracted from the instrument by means of an exhaust system. Ensure that an exhaust system of the appropriate type is fitted (as specified in the Site Preparation Guide). The system must be vented to the outside air in accordance with local regulations and never within the building. Regularly check the exhaust system by smoke test to ensure that the exhaust system is functioning correctly. The exhaust system must always be switched on *before* igniting the plasma.

## Compressed Gas Hazards

All compressed gases (other than air) can create a hazard if they leak into the atmosphere. Even small leaks in gas supply systems can be dangerous. Any leak (except that of air or oxygen) can result in an oxygen-deficient atmosphere, which can cause asphyxiation. The area in which cylinders are stored and the area surrounding the instrument must be adequately ventilated to prevent such gas accumulations.

## Safety Practices and Hazards

Gas cylinders must be stored and handled strictly in accordance with local safety codes and regulations. Cylinders must be used and stored only in a vertical position and secured to an immovable structure or a properly constructed cylinder stand. Move cylinders only by securing them to a properly constructed trolley.

Use only approved regulator and hose connectors (refer to the gas supplier's instructions). Keep gas cylinders cool and properly labeled. (All cylinders are fitted with a pressure relief device that will rupture and empty the cylinder if the internal pressure is raised above the safe limit by excessive temperatures.) Ensure that you have the correct gas before connecting it to the instrument.

The primary gas used with the spectrometer is argon, which is the conductive gas for the plasma. Argon or nitrogen can be used as the polychromator purge gas. Other gases may be required for future options and accessories. Use only 'instrument grade' gases with your spectrometer.

If using cryogenic gases (for example, liquid argon), prevent severe burns by wearing suitable protective clothing and gloves.

## Electrical Hazards

The spectrometer system and some accessories contain electrical circuits, devices and components operating at dangerous voltages. Contact with these circuits, devices and components can cause death, serious injury or painful electric shock. Panels or covers which are retained by screws on the spectrometer and accessories may be opened *only* by Agilent-trained, Agilent-qualified or Agilent-approved field service engineers (unless specified otherwise). Consult the manuals or product labels supplied with your personal computer (PC), monitor, printer and water-cooling system to determine which parts of those systems are operator-accessible.

Connecting the Agilent ICP-OES to a power source that is not equipped with a protective earth contact creates a shock hazard for the operator and can damage the instrument. Likewise, interrupting the protective conductor inside or outside the Agilent ICP-OES or defeating the power cord ground creates a shock hazard for the operator and can damage the instrument.

### Other Precautions

Use of the spectrometer system and accessories may involve materials, solvents and solutions which are flammable, corrosive, toxic or otherwise hazardous. Careless, improper or unskilled use of such materials, solvents and solutions can create explosion hazards, chemical burn hazards, fire hazards, toxicity and other hazards that can result in death, serious personal injury or damage to equipment. Apply all necessary precautions including use of lab coats, safety goggles and other appropriate forms of personal protection. All wastes should be disposed of in accordance with local regulatory requirements.

Operation of an ICP-OES involves analysis of solutions that have been prepared in or digested with acids, or in some cases, samples that have been prepared in organic solvents.

In case of uncertainty about a specific fluid, that fluid should not be used until confirmation by the manufacturer that it will not present a hazard.

The acid concentration in the sample that is measured varies, depending upon the digestion steps and acid types used. Instrument users should be aware of the hazards associated with use of the acids used for sample preparation and apply all necessary precautions including use of lab coats, safety goggles and other appropriate forms of personal protection. The acid wastes should be disposed of in accordance with local regulatory requirements.

The type, volatility and concentration of the organic solvents used in the sample that is measured varies, depending upon the selected solvent and the sample preparation involved. Instrument users should be aware of the hazards associated with use of the organic solvents for sample preparation, and apply all necessary precautions including ensuring adequate ventilation during use, and use of lab coats, safety goggles, gloves and other appropriate forms of personal protection. The organic wastes should be disposed of in accordance with local regulatory requirements.

Air flow to the air intake port of the spectrometer and accessories must be unobstructed. Do not block the ventilation grills on the spectrometer and accessories. Consult the manuals supplied with your PC, monitor, printer and water-cooling system for their specific ventilation requirements.

Great care should be taken when working with glass or quartz parts to prevent breakage and cuts. This is especially important when inserting the nebulizer into the spray chamber or removing and replacing pieces of broken torch.

## Safety Practices and Hazards

The spectrometer weighs approximately 90 kg (200 lb). To avoid injury to personnel or damage to the instrument or property, always use suitable mechanical lifting device to move the instrument.

Use only Agilent-supplied or approved spares with your instrument. Only trained operators should use the instrument.

## Warning Symbols

The following is a list of symbols that may appear in conjunction with warnings in this manual or on the spectrometer. The hazard they describe is also shown. The beginning of the warning text is noted by a warning icon:

### WARNING

A triangular symbol indicates a warning. The meanings of the symbols that may appear alongside warnings in the documentation or on the instrument itself are as follows:



*Broken glass*



*Chemical hazard*



*Disconnect power*



*Electrical shock*



*Extreme cold hazard*



*Eye hazard*



*Fire hazard*



*Heavy weight  
(danger to feet)*



*Heavy weight  
(danger to hands)*



*Hot surface*



*Noxious gases*



*RF radiation*

## Safety Practices and Hazards

The following symbol may be used on warning labels attached to the instrument. When you see this symbol, refer to the relevant operation or service manual for the correct procedure referred to by that warning label.



The following symbols appear on the instrument for your information.



Mains power on



Mains power off



Single phase alternating current



Protective ground terminal.



Socket for Agilent accessory serial cable



Socket for Ethernet LAN cable



Socket for Agilent accessory USB cable



Indication of correct orientation of gas filter flow direction



Caution, disconnect all supplies, risk of electric shock

## Safety Practices and Hazards

This page is intentionally left blank.

## 2

## Introduction

Site Preparation Requirements	15
User Documentation	15
ICP-OES Argon Gas Supply	16
Exhaust System	17
ICP-OES Instrument Cooling Air Supply	17
Water Chiller System	18
Drain Vessel	18

### Site Preparation Requirements

Prior to receiving your instrument, you will have been provided with an Agilent 5800 and 5900 ICP-OES Site Preparation Guide, which describes the environmental and operating requirements of the ICP-OES system. You must prepare your laboratory according to these instructions before the ICP-OES can be installed. You should keep the Site Preparation Guide for future reference for example, if you plan to move your instrument. If you have misplaced your copy, you can obtain a free replacement from your local Agilent office.

Position the equipment for easy access to the disconnecting switch on the left side of the instrument.

### User Documentation

You have been provided with the following documentation to help you set up and operate your Agilent ICP-OES system:

- This User's Guide, with safety practices and hazards information, instructions for finding information about installing and maintaining the components of the ICP-OES and a brief operation overview.

## Introduction

- An extensive Help and Learning Center containing context-sensitive Help with information on how to set up methods and run instrument tests, hardware basics and maintenance videos, step-by-step instructions for frequently performed operations and instructions for using any accessories you ordered.

## Conventions

The following conventions have been used throughout the documentation:

- Menu items, menu options and field names (for example, click **Copy** from the **Edit** menu) have been typed in bold. Bold is also used to signify the buttons appearing throughout the software (e.g., click **OK**).
- ALL CAPITALS indicate keyboard commands (e.g., press the F2 key) and text you must type in from the keyboard (e.g., type SETUP at the prompt).

## Notes and tips

A Note is used to give advice or information.

A Tip is used to give practical hints to help you achieve the best possible performance from your ICP-OES.

# ICP-OES Argon Gas Supply

**Table 1.** Typical flow rates for the Agilent ICP-OES instruments

<b>Typical Flows</b>	<b>Argon (with nitrogen purge gas)</b>
Measuring wavelengths > 189 nm (poly boost off)	Argon flow 16.7 L/min Nitrogen flow 0.8 L/min
Measuring wavelengths < 189 nm (poly boost on)	Argon flow 16.7 L/min Nitrogen flow 4.4 L/min

Argon can be used as a plasma gas and purge gas which results in a higher total argon flow rate.

The user (or other authorized personnel) must carry out appropriate leak tests necessary to ensure safety on the gas and liquid connections that the operator is directed to assemble during installation, normal use or maintenance.



# Exhaust System

The plasma operates at extremely high temperatures. The ICP-OES instrument exhaust fumes can be noxious or corrosive.

The exhaust system should be checked regularly to ensure adequate flow. Consult the ICP-OES Site Prep Guide for the appropriate flow rates.

### WARNING



#### Hot Surface

**The external vent may become hot during ICP-OES instrument operation and remain hot for some time after the instrument has been switched off. Allow the external vent to cool for at least five minutes before attempting to remove the exhaust hose. Use heat-resistant gloves.**

## ICP-OES Instrument Cooling Air Supply

The ICP-OES instrument requires *clean, dry, non-corrosive air for cooling purposes*. This is supplied to the instrument through an air supply vent located at the top, left of the instrument. The vent has a dust filter, to filter out particulate matter.

The air supply is used to cool the internal mechanical and electronic components of the instrument. Several of these assemblies contain parts prone to corrosion. The introduction of cooling air contaminated with high levels of acid vapors or other corrosive substances may cause damage to the instrument.

Due to the corrosive nature of some analytical work, it is recommended that in applications demanding high usage of corrosive materials, an external cooling air supply system is provided. It is *required* that the cooling air be supplied from an environmentally-controlled area that is away from the instrument exhaust and any other area where corrosive materials are stored or used. Do not duct humid, warm air into an instrument in a cooled laboratory environment.

The cooling air system with flue, fan, ducting and supply cowl, must provide positive air pressure at the instrument inlet of 4 m<sup>3</sup>/min (141 ft<sup>3</sup>/min) when using the External Inlet Duct Adaptor Kit. The ducting should be corrosion-resistant and fire-proof.

# Water Chiller System

Agilent ICP-OES instruments require a source of cooling water. Refer to the Site Preparation Guide for compatible water chilling systems and to the documentation provided with the water chilling system for installation and use instructions.

### NOTE

Pressure regulation is recommended for supplies where the cooling water pressure may be subject to fluctuations. Pressure regulation is necessary for supplies that may exceed the maximum permissible pressure of 400 kPa (58 psi).

---

The instrument is equipped with a water flow sensor, which will stop operation of the plasma if the cooling water flow through the instrument drops below 1.7 L/min (0.45 gpm). A second water flow sensor will stop the camera Peltier cooling assembly if the water flow through the instrument drops below 0.2 L/min (0.05 gpm).

### CAUTION

**Always ensure the water chiller system is on before igniting the plasma.**

---

## Drain Vessel

The Agilent ICP-OES system needs a drain vessel for disposal of excess fluids from the spray chamber or autosampler. Suitable tubing is supplied with the spectrometer for use with inorganic solvents. When using organic solvents, different drain tubing that is suitable for the solvent in use will be required.

A chemically inert container, not glass or of a narrow-necked style, to hold a minimum of 2 liters (4 pints) of waste must be provided by the user. It should be located underneath the sample compartment (or on the right side of the instrument), where it is protected by the bench and in full view of the operator.

# 3

## Installation

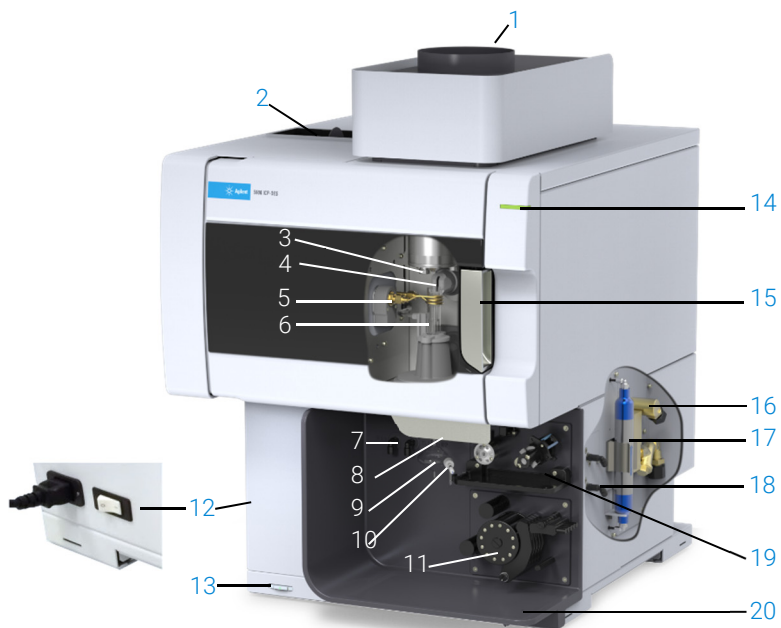
Agilent ICP-OES Instrument Overview	20
Instrument Status LED Color Coding	22
Front Power On/Off Button	22
ICP Expert Software	23
Connecting ICP Expert software to the ICP-OES	24
Performing a Detector and Wavelength Calibration	24
Hardware Components Replacement	25
Torch Assembly and Disassembly	27
Accessories	35

The Agilent ICP-OES must be installed by an Agilent-trained, Agilent-qualified or Agilent-authorized field service engineer.

You should have completed and returned the form in the Site Preparation Guide stating that you have prepared the laboratory in accordance with the requirements detailed in that manual. An Agilent representative will then arrange a suitable installation date with you.

Details for unpacking the instrument and what to do in case it has been damaged in transit are also outlined in the Site Preparation Guide.

## Agilent ICP-OES Instrument Overview

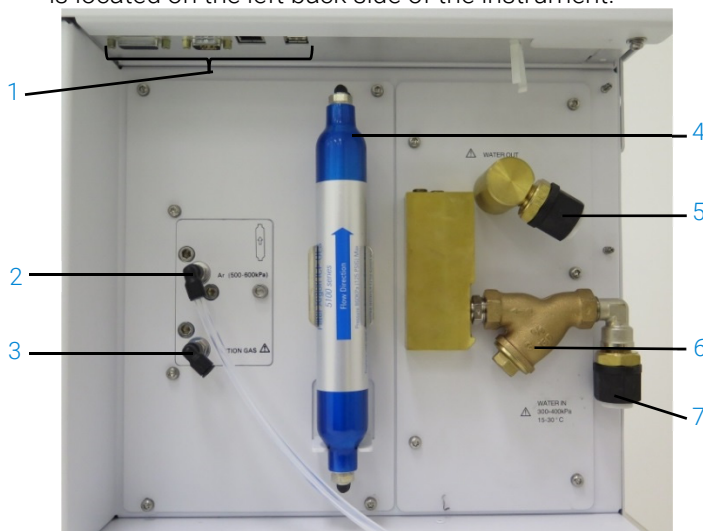


**Figure 1.** Front and side of the ICP-OES instrument

- |   |   |   |
|---|---|---|
| 1. Exhaust  | 8. Torch loader handle                      | 15. Torch compartment handle  |
| 2. Air inlet filter                                     | 9. Spray chamber                            | 16. Water inlet assembly  |
| 3. Pre-optics cone and axial viewing window (not shown) | 10. Nebulizer                               | 17. Optics purge filter for argon or nitrogen                         |
| 4. Snout and radial viewing window (not shown)          | 11. Peristaltic pump                        | 18. Gas supply assembly   |
| 5. Work coil  | 12. Mains power switch and cable connection | 19. Optional AVS 4, AVS 6 or AVS 7 Switching Valve accessory location |
| 6. Torch  | 13. Front panel power button                | 20. Drain for liquid overflow   |
| 7. Nebulizer and make up gas connections                | 14. LED instrument status indicator         |   |

## Installation

All connections of services to the ICP-OES instrument are made on the right side of the instrument, except for the mains power which is on the left side of the instrument. Remove the cover on the right side by hand to gain access to the Ethernet, accessory, water and gas connections. The Power on/off button is located on the front lower left side of the instrument and the mains power switch is located on the left back side of the instrument.



**Figure 2.** Input and output connections on the side of the ICP-OES instrument

Item	Description
1	Accessory and LAN cable connections Agilent accessory connections and shielded Ethernet cable for PC to instrument communication
2	Argon gas inlet Argon gas inlet, standard
3	Option gas inlet Option gas (80% Ar/20% O <sub>2</sub> mix) inlet. Optional nitrogen gas inlet (not shown)
4	Optics purge filter Argon or nitrogen gas filter
5	Water outlet Connect to return from the water chiller
6	Water filter Coarse particulate water filter
7	Water inlet Connect to supply from the water chiller

# Instrument Status LED Color Coding

The instrument status indicator light on the front top right of the Agilent ICP-OES displays different colors to represent the status of the instrument:

- A green light indicates the following:
  - The instrument and software are connected and are ready to attempt a plasma ignition sequence, or
  - The instrument and software are connected and the plasma ignition sequence is underway, or
  - The instrument and software are connected, the plasma is lit and running and it is possible to run analysis of samples.
- A yellow blinking light indicates the instrument and software are not connected (instrument is off-line).
- A yellow light indicates that the instrument and software are connected, but the instrument is not ready to begin a plasma ignition sequence due to a tripped door or torch handle interlock, low gas pressure, low water flow or low cooling air flow. User intervention is required to resolve the problem.
- An orange pulsing (intensifying/fading) light indicates the instrument is booting up or performing a firmware update.
- A red light indicates an instrument firmware error causing a halt to analysis or restricting normal instrument operation. User intervention is required to resolve the problem.

## Front Power On/Off Button

The LED in the front on/off button indicates the basic instrument on/off state.

- **Off** indicates that the instrument is completely unpowered when the mains power switch on the left side of the instrument is also off.
- **Green flash once every 10 seconds** indicates most of the instrument is unpowered, with the exception of the front panel Power on/off button switch sensing circuit inside the mains power module. Press the front panel Power on/off button at the front to fully power up the instrument.
- **Green blinking slow (1 Hz)**. The mains power module is initializing and running through power up self-check, or is shutting off the instrument.

## Installation

- **Green blinking fast (2 Hz).** Mains power module failed its initialization power-up self-check, instrument is unusable. The mains power supply is not adequate or the internal mains module needs to be replaced.
- **Green constantly on** indicates the instrument is switched on.

## ICP Expert Software

The Agilent-trained, Agilent-qualified or Agilent-authorized field service engineer will install the ICP Expert software for you during the installation process. However, you may need to install the software yourself at some later stage, for example if you change the PC. Instructions are provided.

**There are several installation scenarios:**

- Standalone or network Flat File
- Standalone or network Database for 21 CFR Part 11 installations
- Upgrading Standalone or Network Database ICP Expert installations

**Installation includes:**

- Installing the ICP Expert software
- Installing the ICP Expert Help
- Installing the LAN cable
- Setting the instrument IP address
- Installing and configuring SDA for 21 CFR Part 11 compliance
- Installing and configuring SCM for 21 CFR Part 11 compliance
- Completing a dark current scan and wavelength calibration

**For instructions on how to install your ICP Expert software, refer to the documentation provided with your software:**

- ICP Expert Software Installation Instructions
- ICP Expert Software Installation Instructions for 21 CFR Part 11 Environments

Once you have installed the appropriate software, connect the Ethernet cable, set the instrument IP address if necessary, and then perform the Detector Calibration and Wavelength Calibration.

# Connecting ICP Expert software to the ICP-OES

To connect the software and instrument:

- 1 Start the ICP Expert software by double-clicking on the desktop icon.
- 2 Click **Instrument**.
- 3 Click **Connect**.
- 4 Enter the IP address of the instrument or select an existing instrument.
- 5 Click **Connect**.
- 6 Click **Close**.

# Performing a Detector and Wavelength Calibration

To perform a detector and wavelength calibration:

- 1 Turn on the external exhaust.
- 2 Start the ICP Expert software and open the Instrument Window.
- 3 Connect the software to the instrument, if needed.
  - a Click **Instrument** in the ICP Expert toolbar.
  - b Click **Connect**.
  - c Select the instrument from the list and the click **Connect**.
- 4 Click **Calibrate** in the 'Detector' section.

### NOTE

Once the detector calibration is completed, the date and time of the last successful calibration will be displayed, confirming the detector measurement has been completed.

- 5 Ensure a standard glass concentric nebulizer, a double pass spray chamber and the appropriate plasma torch (for radial or dual view) are installed. Use manual sampling. The recommended peristaltic pump tubing is White/White for the pump and Blue/Blue for the drain.
- 6 Ignite the plasma.



## Installation

- 7 Check that the Polychromator Boost purge is on.
  - a On the 'Instrument' window of the ICP Expert software, click the Status tab and check that under the Polychromator section Boost is selected.
  - b If the instrument was turned on from an idle state, the wavelength calibration in Steps 7-10 can be performed immediately. If the instrument was turned on after more than a few hours of being unpowered, the polychromator can take several hours to stabilize the temperature and to purge.
- 8 Aspirate the wavelength calibration solution and then select the **Calibration** tab.
- 9 Click **Calibrate** in the 'Instrument' section to perform a wavelength calibration.

### NOTE

Once completed, the date and time of the last successful calibration will be displayed, a pass or fail mark will appear along with the wavelength error indicating whether the instrument calibration is complete.

---

## Saving and viewing the calibration data

The calibration data is stored in the Logs. To view the data, export the Logs.

- 1 From the main ICP Expert window, click **File > Logs > Export Logs**.
- 2 Save the zipped Log file.
- 3 Open the .zip file to view the Log files.

### NOTE

The default save location is \Users\Username\Documents\Agilent\ICP Expert \Exported Results\ on the drive on which the ICP Expert software is installed.

---

## Hardware Components Replacement

Your ICP-OES should be ready to operate after the Agilent field service engineer has installed it. However, you may need to set up items such as the peristaltic pump, nebulizer, torch or spray chamber. For instructions on how to do this, please refer to the 'How to' section in the ICP Expert Help and Learning Center.

## Installation

### ICP-OES torches

The range of ICP-OES torches are listed below, each with unique properties to suit a wide range of applications. Additional torches may be available. See the Agilent website for more information.

Parameter	Dual View Torches			
	Standard torch	Semi-demountable torch	Inert semi-demountable torch	High solids semi-demountable torch
Construction	One piece	Two piece demountable	Two piece demountable	Two piece demountable
Injector inner diameter (mm)	1.8	1.8	1.8	2.4
Injector material	Quartz	Quartz	Ceramic	Quartz
Outer tube length	Medium with slot	Medium with slot	Medium with slot	Medium with slot
Outer tube material	Quartz	Quartz	Quartz	Quartz
Intermediate tube	Quartz tulip	Quartz tulip	Quartz tulip	Quartz tulip
Recommended application	Most sample types	Most sample types	Hydrofluoric (HF) acid digests	Samples with high total dissolved solids

Parameter	Radial View Torches		
	Standard torch	Semi-demountable torch	Inert semi-demountable torch
Construction	One piece	Two piece demountable	Two piece demountable
Injector inner diameter (mm)	1.4	1.4	1.8
Injector material	Quartz	Quartz	Ceramic
Outer tube length	Short (no slot)	Short (no slot)	Short (no slot)
Outer tube material	Quartz	Quartz	Quartz
Intermediate tube	Quartz tulip	Quartz tulip	Quartz tulip
Recommended application	Most sample types	Most sample types	Hydrofluoric (HF) acid digests

## Installation

Parameter	Fully Demountable Torches				
	Standard	Inert	High solids	Semi-volatile organics	Volatile organics
Construction	Fully demountable	Fully demountable	Fully demountable	Fully demountable	Fully demountable
Injector inner diameter (mm)	1.8	1.8	2.4	1.4	0.8
Injector material	Quartz	Ceramic	Quartz	Quartz	Quartz
Outer tube length	Medium with slot	Medium with slot	Medium with slot	Medium with slot	Short (no slot)
Outer tube material	Quartz	Quartz	Quartz	High purity quartz (for organic solvents)	High purity quartz (for organic solvents)
Intermediate tube	Quartz tulip	Quartz tulip	Quartz tulip	Quartz tulip	Quartz tulip
Recommended application	Most sample types	Hydrofluoric (HF) acid digests	Samples with high total dissolved solids	Semi-volatile organic solvents e.g. ketones, kerosene, Jet-A1	Volatile organic solvents e.g., gasoline

A fully demountable torch can be adapted for another application by replacing the injector and/or the outer tube with the configuration recommended for that sample type. Refer to the Agilent Technologies website for ordering information.

## Torch Assembly and Disassembly

Both the semi- and fully demountable torch models allow the outer/intermediate tube-set to be separated from the base/injector for easier cleaning or replacement. In addition, the fully demountable torch models allow the injector to be removed from the base for easier cleaning or replacement.

### WARNING



#### Hot Surface

The torch and torch compartment may become extremely hot during instrument operation and remain hot so for some time after the plasma has been switched off. Allow the plasma compartment to cool for at least five minutes before accessing the plasma compartment. Allow the torch to cool for two minutes before touching the outer tube or attempting to dismantle the torch.

## Installation

### WARNING



#### Chemical Hazard

Nitric acid, hydrochloric acid and strong alkali solutions are very corrosive and can cause severe burns when they come into contact with the skin. It is essential that appropriate protective clothing be worn at all times when handling these acids. If acid contacts the skin, wash off with copious amounts of water and seek medical attention immediately.

### CAUTION

To prevent damage to the torch, always take care when handling or storing it. To prevent damage to the instrument, do not use the torch if it is damaged or wet.



Figure 3. Demountable torch where: 1. Torch, 2. Top seal and 3. Torch body

### Assembly of the semi-demountable torch

To assemble the torch:

- 1 Place the top seal back on the quartz tube-set, slide the clean seal back onto the tube-set from the bottom end, making sure the top flat face of the seal is positioned facing the top of the tube-set. See Figure 4.

## Installation



**Figure 4.** The top seal being refitted to the quartz outer tube-set

- 2 Slide the top seal approximately 1/3 the way up the quartz tube-set and position it so the top face of the seal is aligned with the bottom of the “T” alignment mark as shown in Figure 5.



**Figure 5.** The top seal aligned with the alignment mark on the quartz outer tube

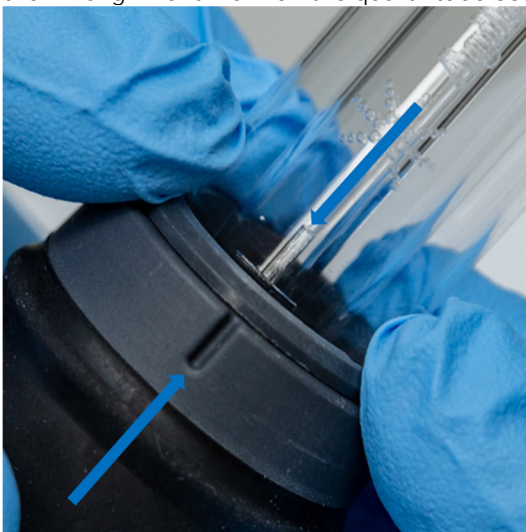
## Installation

- 3 Gently slide the quartz tube-set into the torch body, avoiding contact with the injector.



**Figure 6.** Torch inserted into torch body

- 4 Position the quartz tube-set so that the groove on the torch body aligns with the "T" alignment mark on the quartz tube-set as shown in Figure 7.



**Figure 7.** The alignment mark on the quartz outer tube-set should be aligned with the groove on the torch body

- 5 Press the quartz outer tube-set fully into the torch body and then press down on the top seal to secure the tube-set in place. See Figure 8.

## Installation

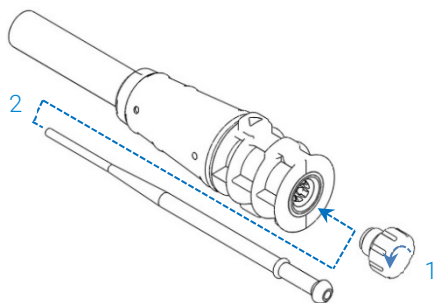


**Figure 8.** Ensure the seal is properly seated by pressing firmly on the top edges

### Assembly of the fully demountable torch

To assemble the torch:

- 1 Unscrew the locking nut on the torch base.
- 2 Place the top seal back on the top of the torch base and ensure this is properly seated by pressing firmly on the top edges.
- 3 Insert the tube-set into the torch body and position it so that the groove on the torch body aligns with the “T” alignment mark on the tube-set. Press the outer tube-set fully into the torch body. See Figure 7 and Figure 8.
- 4 Fully insert the injector through the base of the torch body until the bulge contacts the retaining arm and “clicks” into position.



- 5 Replace the locking nut and tighten to secure the injector.

#### CAUTION

**Hand tighten only. Do not overtighten or use a wrench for leverage.**

## Installation

### Torch disassembly

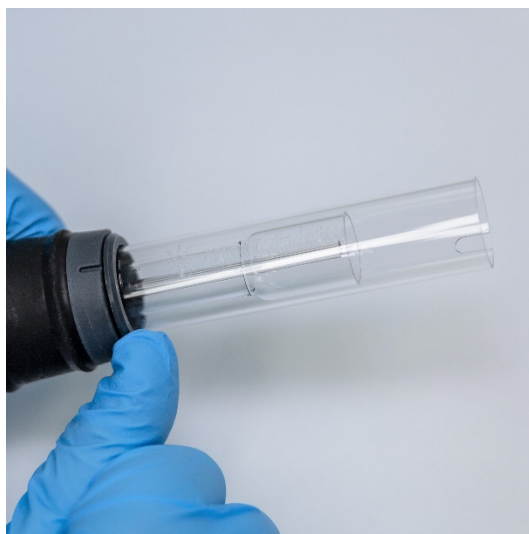
To disassemble a semi-demountable torch:

You may need a flat head screwdriver to loosen the securing ring if you cannot gently slide the torch out of the torch body by hand.

#### CAUTION

**Only use the screw driver to loosen the torch securing ring from the torch body if you are unable to do so by hand.**

- 1 Gently loosen the top seal, either by prodding it using thumb nail (see Figure 9) or use a wide blade flat screw driver to lever it up. When using a screw driver, insert the screw driver into the slot as shown in Figure 10, maintaining an up-down action to lever the seal loose. Repeat the action on the opposite slot. The seal should be dislodged from the torch body.



**Figure 9.** Removing the top seal on a semi-demountable torch by prodding it using a thumb nail



## Installation



**Figure 10.** Removing the top seal with an aid of a wide blade flat screw driver

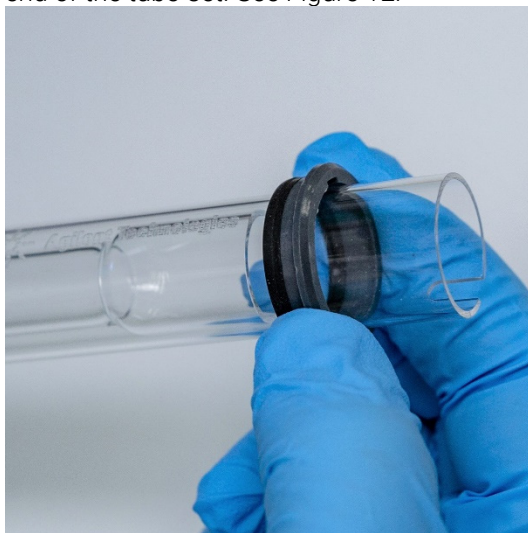
- 2 Maintaining a straight parallel movement, carefully slide the quartz outer tube-set off the torch body. See Figure 11.



**Figure 11.** Removing the quartz tube-set from the torch body

## Installation

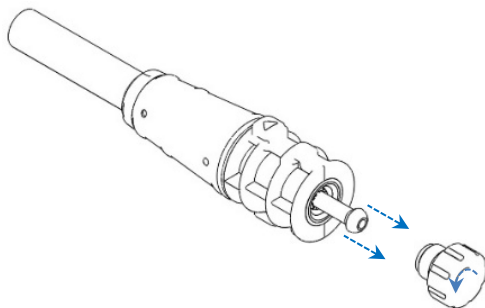
- 3 To remove the top seal off the quartz tube-set, slide the seal towards the top end of the tube-set. See Figure 12.



**Figure 12.** Removing the top seal off the quartz tube-set

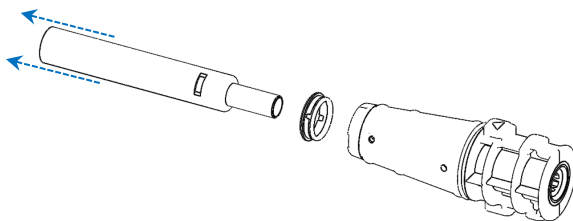
### To disassemble the fully demountable torch:

- 1 Unscrew the locking nut on the base of the torch and remove the injector by gently pulling on the ball joint.



- 2 Remove the quartz tube-set from the top of the torch base. If the top seal is removed with the quartz outer tube-set, slide the top seal off the tube-set towards the top end.

## Installation



See Page 54 for the torch cleaning procedure.

## Accessories

The following accessories may be available for use with your ICP-OES instrument:

- SPS 4 Autosampler
- Advanced Valve System (AVS) – AVS 4, AVS 6 and AVS 7 switching valves
- External inlet duct adapter
- Vapor generation accessory (VGA)
- Multimode sample introduction system (MSIS)
- Argon humidifier
- IsoMist Programmable Temperature Spray Chamber

For safety and installation information, please see the accessory documentation or the ICP Expert Help and Learning Center.

### SPS 4

See the instructions that came with the accessory for safety information and to prepare the SPS 4 for installation.

The SPS 4 is compatible with a wide range of commercially available low-cost autoclavable sample racks.

Sample contamination from airborne particles is eliminated and corrosive or toxic fumes are removed during sampling with the optional environmental enclosure.

## Installation

### **Advanced Valve System (AVS) – AVS 4, AVS 6 and AVS 7**

For safety information and to prepare the accessory for installation, please see the instructions that came with the accessory.

The integrated AVS 4 (4 port switching valve) rinses the sample introduction system while the next sample is being presented to the instrument prior to measurement. Excess sample is diverted away from the spray chamber and rinse is introduced immediately after measurement. This will reduce sample carry-over and required cleaning frequency of sample introduction components.

The integrated AVS 6 (6 port switching valve) and AVS 7 (7 port switching valve) increase sample throughput and decrease turnaround time and operating costs. The switching valve is positioned between the nebulizer and the peristaltic pump of the spectrometer. Samples are quickly loaded into the sample loop, ready for immediate analysis by the ICP-OES, greatly reducing sample uptake delays. Pre-emptive rinsing of the sample line means sample to sample analysis times are reduced.

The AVS 6 and AVS 7 include a bubble injector that automatically injects bubbles after the sample is loaded into the loop, isolating the sample from the rinse/carrier solution. This reduces the volume of sample required for measurement (therefore reducing analysis time) as tailing (or dilution) effects are minimized.

### **External Inlet Duct Adapter**

The External Inlet Duct Adapter provides an attachment for ducting air into the air intake port, for use in labs with harsher environments.

### **Vapor Generation Accessory (VGA)**

The VGA 77P is a continuous flow vapor generation accessory for Inductively Coupled Plasma-Optical Emission Spectroscopy (ICP-OES) instruments that determines Hg and the hydride-forming elements at parts per billion (ppb) levels. The entire plumbing assembly is integrated into a separate module and can be simply exchanged when switching elements.

### **Multimode Sample Introduction System (MSIS)**

For safety information and to prepare the MSIS for installation, please see the instructions that came with this accessory and the ICP Expert Help.

The MSIS is used with the ICP-OES instrument to provide simultaneous vapor generation of several hydride forming elements, enabling determination with low ppb detection limits.

## Installation

The MSIS consists of a nebulizer and modified glass cyclonic spray chamber that has two vertical conical tubes in the center of the chamber. This allows for reductant and sample to mix quickly and thoroughly in the chamber using thin film hydride technology to form the hydrides.

The MSIS can be operated in three modes: hydride only, simultaneous hydride and conventional nebulization or conventional nebulization only.

### **Argon Humidifier**

The Argon Humidifier is commonly used when running aqueous samples with high dissolved solids or high dissolved salt content. When using the accessory, the nebulizer gas flow is passed through the humidifier to increase the water vapor in the gas. This has been found to be beneficial by reducing the build-up of salt and other dissolved solids in the nebulizer tip in the sample introduction system. By reducing blockages, the Argon Humidifier helps to ensure uninterrupted, maintenance-free operation.

### **IsoMist Programmable Temperature Spray Chamber**

IsoMist utilizes the Peltier effect to provide electrical cooling or heating to the spray chamber.

The 'Set Temperature' is monitored and controlled via the ICP Expert software. The IsoMist performance can be monitored and controlled from a lab PC via USB or Bluetooth wireless technology.

## Installation

This page is intentionally left.

# 4

## Operation

Analysis Checklist	39
Turning On the Instrument and Software	40
Preparing for Analysis	41
Performing a Detector and Wavelength Calibration	42
Creating/Opening a Worksheet	42
Developing a Method	43
Running Samples	45
Printing a Report	45
Turning Off the Instrument	46

This chapter provides a quick guide to getting the instrument set up and running samples.

You will find step-by-step instructions for common operations in the ICP Expert Help. To access this information:

- 1 Double-click the ICP Expert Help and Learning Center icon on the desktop.
- 2 When the ICP Expert Help appears, click '**How to**' to view the available step-by-step instructions.

### Analysis Checklist

You need to complete the following steps in turn to measure a sample/s. You will find information on each step in this chapter.

- Turn on the PC, instrument and software
- Connect the software to the instrument
- Prepare for analysis
- Perform a dark current scan and wavelength calibration
- Create/open a worksheet

## Operation

- Develop a method
- Run samples
- Print a report

## Turning On the Instrument and Software

Before starting the system, carefully read the Safety practices and hazards section at the front of this manual and ensure that the laboratory is set up according to the details specified in the Site Preparation Guide.

### Turning on the instrument for the first time (or from long term shutdown)

To turn on the instrument for the first time or from shutdown:

- 1 Check that the exhaust and External Inlet Duct Adapter (if used) lines are secured to the ICP-OES instrument, and that the air filter is not blocked.
- 2 Turn on the laboratory exhaust system.
- 3 Ensure the gas and water lines are connected to the ICP-OES instrument
- 4 Turn on the gas supply.
- 5 Switch on the water chiller.
- 6 Ensure that the gas and water supplies are turned on and set to the correct pressures, and that the water chiller is set to the correct temperature.
- 7 Check that the torch is clean and in good condition and installed with the torch handle fully closed.
- 8 Check that all tubing on the spray chamber, nebulizer and peristaltic pump is installed and correctly connected.
- 9 Check that the plasma compartment door is fully closed.
- 10 Check that the Ethernet LAN cable is connected to the computer or Local Area Network.
- 11 Switch on the computer, monitor and printer.
- 12 Plug the ICP-OES cable into the wall socket and set the mains power switch on the left side of the instrument to 'On'.



## Operation

- 13 Press the Power on/off button on the front of the instrument. The power on/off LED will display green when it is on. The ICP-OES is now in standby state, which continually purges and thermostatically controls the polychromator.

### NOTE

Both the mains power switch on the left side of the instrument and front panel power button must be on for the instrument to work.

---

- 14 Double-click the ICP Expert desktop icon to start the ICP Expert software. The Start page will appear.

### Running the instrument from standby

During standby state (both power switches are 'On'), the polychromator temperature is regulated and polychromator gas purge is running to ensure the instrument is ready for analysis within 20 minutes after lighting the plasma.

#### To begin using the instrument from standby state:

- 1 Turn on the laboratory exhaust system.
- 2 Check that the torch is clean and in good condition and installed with the torch handle fully closed.
- 3 Check that all tubing on the spray chamber, nebulizer and peristaltic pump is correctly connected.
- 4 Check that the torch compartment door is fully closed.
- 5 Switch on the monitor and printer (if they are off).
- 6 Switch on the water chiller (if it is off).
- 7 If you have accessories fitted, switch them on.

## Preparing for Analysis

#### To prepare for analysis:

- 1 Click the **Plasma** button in the ICP Expert software. Alternatively, press F5 or choose **Plasma on** from the arrow under the **Plasma** button.

## Operation

### NOTE

The plasma ignition sequence will take up to 60 seconds to complete. If the plasma fails to ignite, refer to the Troubleshooting section in the Help and Learning Center for further information.

---

### NOTE

For optimum performance and stability, for the ICP-OES instrument a warm up time of 20 minutes is recommended after igniting the plasma.

If using wavelengths below 189 nm: purging the polychromator can take up to several hours. The polychromator thermal stabilization can take up to several hours from long term shutdown.

---

- 2 Ensure that the peristaltic pump is correctly set up (refer to the Peristaltic Pump section of the ICP Expert Help and Learning Center). If you have not already done so, adjust the pressure bars on the peristaltic pump for even sample flow and drainage.
- 3 Place the sample tubing from the peristaltic pump into the rinse solution and the drain tubing into the drainage vessel.
- 4 Click the Pump button in the ICP Expert software and choose Normal (15 rpm) from the arrow under the Pump button. The pump will be initialized and the solution will begin aspirating.

## Performing a Detector and Wavelength Calibration

See Page 24 for instructions.

## Creating/Opening a Worksheet

### Creating a new worksheet

To create a new worksheet, click **New** Quantitative or IntelliQuant Screening from the Start page or the File menu.

## Operation

A list of recently used files will be presented when creating a new worksheet from a template; otherwise you may Browse for more files. The 'New From Template' dialog box will be displayed in this instance.

### Opening an existing worksheet

To open an existing worksheet:

- 1 Click **Open** from the Start page or from the File menu.
- 2 A list of recently used files will be displayed. Otherwise, you may **Browse** for more files. The '**Open**' dialog box will be displayed in this instance.

### Creating a new worksheet from a template

To create a new worksheet from a template click **New From** on the Start page or **New From Template** from the File menu.

A list of recently used files will be presented, otherwise you may **Browse** for more files. The New From Template dialog box will be displayed in this instance.

The Worksheet window will appear with the new worksheet loaded.

## Developing a Method

### NOTE

For instructions on how to configure and use accessories, IntelliQuant, and Extended QC options, see the ICP Expert Help and Learning Center.

To develop a method:

- 1 Open a new worksheet or one from a template.
- 2 Select the features and accessories on the Configuration page to be used during analysis. (Some features are only available in ICP Expert Pro software.)
- 3 On the 'Elements' page, select the element(s) from the 'Element' drop-down box or type the element name or symbol and then perform one of the following:
  - Click **Add Analyte** to add the primary wavelength for the selected element.

## Operation

- Highlight the wavelength you wish to use from the list of available wavelengths displayed. Click **Add**.

### NOTE

Alternatively, press CTRL and select the element from the periodic table to add the primary wavelength for the selected element to your method.

---

The element will appear in the table with the selected wavelength and default settings selected.

### NOTE

It is recommended to add multiple wavelengths for each element. Similar results for each wavelength indicate there are no interferences present. If there are different results, check IntelliQuant for the right wavelength to report.

---

- 4 Check that there are no known interferences or other analytical lines close to the selected analytical line. Their relative intensity will govern how close the lines can be to each other. For example, if your matrix contains an element that is not of analytical interest, but is a potential interference and has a line close to one of your analytical lines, the concentration of that element in your matrix will determine whether you need to choose another analytical line.
- 5 Make any required adjustments to each element including selecting a different wavelength, entering additional information into the 'Label' column, and selecting the type (choose from analyte, internal standard or interference).
- 6 Click **Conditions** to modify both common settings for the run and settings for each element. Up to eight different measurement conditions can be used.
- 7 Click **QC** to enter the method detection limits, select the QC tests to be used and which error actions should be performed if an error occurs.
- 8 Click **IEC** to enter the concentration of the elements in your analyte and interference standards.
- 9 Click **Standards** to enter the concentration of the elements in your standards and select whether to use other options such as Standard Additions or MultiCal. In addition, also select whether to use the blank in calibrations and whether to enable reslope.
- 10 Click **Sequence** to specify the number of samples, insert QC tests, select the solution type, edit the sample labels and end of run actions.
- 11 Click **FACT** to manually create FACT models or to set the method up to automatically create them during analysis.
- 12 If you are using an autosampler, click the 'Autosampler' tab to select the racks and probe depth (if needed). Depending on the autosampler selected, options may vary.

## Operation

### NOTE

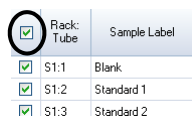
See the ICP Expert Help and Learning Center for a more detailed description of setting up a method.

---

## Running Samples

To run samples:

- 1 Set up the autosampler with all solutions, if required.
- 2 Click the **Analysis** tab and do the following:
  - a Ensure your samples are selected. This will be indicated by a check next to the Rack:Tube column. To select all solutions, select the checkbox next to the Rack:Tube title.



<input checked="" type="checkbox"/> Rack:Tube	Sample Label
<input checked="" type="checkbox"/> S1:1	Blank
<input checked="" type="checkbox"/> S1:2	Standard 1
<input checked="" type="checkbox"/> S1:3	Standard 2

- b Click the **Run** icon in the toolbar (or press the SHIFT+F8 keys) to begin the analysis, and follow the prompts.

### NOTE

For further information about running an analysis, refer to the ICP Expert Help and Learning Center.

---

## Printing a Report

To print a report:

- 1 Click **Report** on the toolbar or **File > Report**.
- 2 Choose whether you want to print or preview the report or save the report as a PDF file.

### TIP

Previewing the report allows you to ensure that you have included all of the data you require.

---

- 3 Select a report template and then click **Open**.

## Operation

- 4 Click the **Print** button to generate a report as specified. A message will appear briefly indicating the progress status of the report being generated.
- 5 The Print dialog box will then be opened. You can select to print all of the report, or a range of pages. Reports are printed to your default printer, unless you specify otherwise. You can specify your printer options in the Print Setup dialog box, accessible from the **File** menu.

## Turning Off the Instrument

There are three standby and shutdown modes:

- Standby Mode with argon on – for in between routine use (Page 47)
- Standby Mode with argon off – for overnight, weekend, and long-term shutdown (Page 47)
- Full shutdown – for a complete shutdown (Page 48)

### Instrument Standby Mode with argon on

This Standby Mode option leaves the 5800/5900 ICP-OES in a state of readiness while only consuming low amount of utilities (argon gas and electricity). The benefit of being in Standby Mode is the 5800/5900 can be operational again in <20 minutes from plasma ignition. Standby Mode is automatically enabled once the previous analysis is finished and the plasma is shut down. Follow 'Setting the instrument to Standby Mode with argon on or off' on Page 47 to ensure the instrument is fully prepared for Standby Mode.

Typical recommendation for Standby Mode is to leave the ICP-OES power on and the argon gas supply pressured up, allowing a trickle purge of argon through the polychromator, while not collecting analytical data.

To get back to operational status from this mode, turn on the plasma and stabilize for 20 minutes.

### Instrument Standby Mode with argon off

For overnight, weekend, and long-term shutdown is recommended the instrument is fully powered but the plasma off. In this mode the purge systems are also turned off. The internal air cooling system runs at reduced capacity.

## Operation

This Standby Mode option will further reduce utilities consumption. The ICP-OES can have the power left on, and the argon gas can be completely turned off. Follow 'Setting the instrument to Standby Mode with argon on or off' on Page 47 to ensure the instrument is fully prepared for Standby Mode.

To get back to operational status from gas off, activate the software and turn on the gas with the ICP-OES power on and leave to purge for 30 minutes prior to activation of water chiller or plasma. This 30 minute purge is needed to remove any atmospheric water vapor from the optics.

### NOTE

Turning off the argon is not recommended, especially if you are routinely analyzing lines below 190 nm. Turning off the argon gas will reduce the consumption of utilities however, it will take longer for the ICP-OES to get back to operational status for deep UV lines once the argon gas is turned back on.

### NOTE

If you are turning off the argon gas, also turn off the water chiller.

## Setting the instrument to Standby Mode with argon on or off

To put the instrument into Standby Mode:

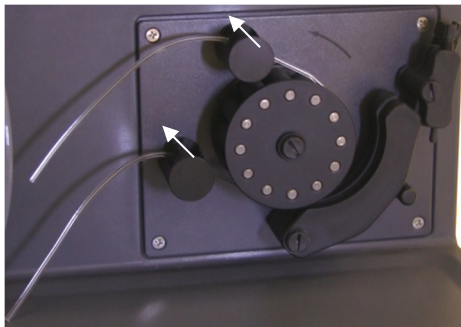
- 1 Rinse the spray chamber by aspirating water for a few minutes.

### NOTE

When running organic samples it is recommended that the spray chamber be cleaned and dried thoroughly between analyses.

- 2 Extinguish the plasma by clicking the **Plasma Off** icon, pressing SHIFT + F5 on the keyboard or choosing **Plasma Off** from the **Analyze** menu. The peristaltic pump stops automatically when the plasma is extinguished.
- 3 Turn off the polychromator boost overnight, by deselecting **Polychromator > Boost** on the Status tab on **Instrument window**.
- 4 **For Standby Mode with argon off only:** Turn off the argon gas supply.
- 5 To increase the pump tubing lifetime, loosen the peristaltic pump tubes by releasing the pressure bars and lift the tubes out of the grooves. To do this:
  - a Push up the pressure bar screws. This releases them from the pressure bar (refer to Figure 13).
  - b Allow the pressure bar to swing downwards.
  - c Lift the tubing out of the grooves.

## Operation



**Figure 13.** Peristaltic pump with pressure bar screws pushed up and pressure bar freely down, allowing tubing to be loosened

- 6 Turn off the water chiller.
- 7 Close the worksheet by clicking 'Close' from the 'File' menu but leave the ICP Expert software running. You may switch off the printer, monitor and any accessories if desired.

Ensure that the Powersave option on your PC is disabled (this will prevent the shutdown of your hard disk). If this option is not disabled, you could lose data during an unexpected shutdown.

### **WARNING**



#### **Noxious Fumes**

**Inhalation danger. The exhaust system MUST remain on if the gas supplies are on.**

---

### **Turning off the instrument for long term shutdown**

For extended periods of disuse, fully shutdown the instrument. This turns off all purging as well as the polychromator thermostating system).



## Operation

To shut down your instrument completely:

### CAUTION

**The ICP-OES gas control unit supplies uninterrupted gas purge to the polychromator assembly during the run and idle states only to minimize the ingress of moisture. It is recommended that both the instrument and gas supplies be left on at all times except during long periods of non-use.**

---

- 1 Follow Steps 1-7 of the Standby Mode procedure.
- 2 Switch off any accessories (where applicable), and then shut down the argon gas supply at the cylinder.
- 3 Switch off the power at the front lower left of the instrument.
- 4 Wait for the front power on/off switch green LED to stop blinking and then switch off the mains power switch on the left side of the instrument. This will turn off the complete instrument as well as the polychromator thermostating system.
- 5 Turn off the laboratory exhaust system.
- 6 Exit the ICP Expert software, if it is no longer required, by choosing Exit from the File menu. Switch off the printer and monitor.

Restarting the instrument to be ready for analysis again will take several hours due to the gas purge and polychromator thermal stabilization time. See Page 40 for full start up instructions.

### NOTE

If the instrument is not going to be in use for a period of time the torch, cone, snout and torch compartment should be cleaned of any deposits, dirt or residue. Check the cleanliness of the removable axial window when cone is removed.

---

This page is intentionally blank.

## 5 Maintenance and Troubleshooting

Routine	52
Cleaning	54
Torch Cleaning	54
Troubleshooting	63
Spare Parts	63
Technical Support	64

This chapter includes the Agilent ICP-OES maintenance requirements that may be carried out by an operator. Any maintenance procedures not specifically mentioned in this chapter should be carried out only by Agilent-trained, Agilent-qualified or Agilent-authorized field service engineers.

### **WARNING**



#### **Eye Hazard**

**Always wear appropriate safety glasses when handling sample solutions and other chemicals, or when the plasma is on, in order to minimize the risk of eye damage by hazardous liquids and exposure to ultraviolet rays.**

### **WARNING**



#### **Shock Hazard**

**This instrument contains electrical circuits, devices and components operating at dangerous voltages. Contact with these circuits, devices and components can result in death, cause serious injury, or painful electrical shock.**

### WARNING



#### RF Hazard and Hot surfaces

The plasma radiates dangerous levels of radio frequency (RF) energy. Exposure to the RF energy can cause severe skin damage and cataracts of the eyes, while close contact with the operating plasma can result in severe heat burns to the skin, and an electrical discharge which can jump a considerable distance and may cause death, severe electric shock or sub-surface skin burns.

### NOTE

This section refers to maintenance procedures for the ICP-OES instrument. You should refer to your accessories, PC, and printer manuals for their maintenance procedures, and to the ICP Expert Help for the maintenance procedures for any accessories you ordered.

## Routine

The following parts of the ICP-OES, consumables and accessories require routine maintenance. Maintenance instructions are included in the ICP Expert Help and Learning Center. To access these instructions, double-click the ICP Expert Help and Learning Center icon on the computer desktop. Click on, or search for **Maintenance**.

The frequency of performing these routine maintenance tasks is dependent on the frequency of use and the types of the samples analyzed. With challenging sample matrices or for systems running continuously, more frequent maintenance is required.

### Hourly

- ❑ Check and, if necessary, empty the drain vessel.

### Daily

- ❑ Check exhaust system and argon gas pressure.
- ❑ Check the water level in the Argon Humidifier before every use (if applicable).
- ❑ Clean the surface of your ICP-OES (spills should be cleaned up immediately).

## Maintenance and Troubleshooting

- ❑ Inspect torch for injector blockage or other damage.
- ❑ Check nebulizer for blockage or pulsation during operation.
- ❑ Inspect the pump tubing and replace if it is flat or has lost its elasticity. Unclip the pump tubes when the pump is not in use.
- ❑ Complete a visual check of the spray chamber to confirm that all connections are not leaking and secure, and that the waste is draining correctly.

### Weekly

- ❑ Clean the torch.
- ❑ Inspect cone (axial) or snout (radial); clean if required.
- ❑ Check the other sample introduction tubing and O-rings.
- ❑ Replace peristaltic pump tubing.
- ❑ Clean the nebulizer.

### Monthly

- ❑ Clean the spray chamber.
- ❑ Clean the nebulizer.
- ❑ Check the other sample introduction and transfer tubing and O-rings (look for excessive wear, poor sealing or kinks and replace as necessary).
- ❑ Inspect the removable axial and radial pre-optics windows for cleanliness. Clean or replace as necessary.
- ❑ Check the condition of the filter in the air inlet on top of your instrument. Remove the air inlet filter assembly and replace the filter element if there is a build-up of dust and dirt.
- ❑ Check the water level in the water chiller (refer to the manual supplied with the water chiller for details).
- ❑ Check/clean the heat exchanger (radiator) on the chiller to remove any build-up of dust and dirt.
- ❑ Perform a wavelength calibration.
- ❑ Inspect the external gas supply system for leaks including the tubing connected to the instrument, and stress cracks. Replace any damaged, leaking or worn components.

## Maintenance and Troubleshooting

### Annually

- ❑ Drain and replace chiller coolant.
- ❑ Replace the argon purge gas filter.
- ❑ Remove and clean the water filter on the right side of the instrument.
- ❑ Periodically, drain the coolant from the cooling system and then refill/ treat with an appropriate algaecide (as recommended by the manufacturer).

## Cleaning

Any spills in the sample compartment should be wiped up immediately.

The user (or other authorized personnel) must perform the appropriate decontamination procedure if hazardous material is spilled on or inside the ICP-OES.

The exterior surfaces of the ICP-OES should be kept clean. All cleaning should be done with a soft cloth. If necessary, this cloth can be dampened with water or a mild detergent. Do not use organic solvents or abrasive cleaning agents.

Before using any cleaning agent, procedure or decontamination method except those specified by Agilent, the user (or other authorized personnel) should check with your local authorized Agilent field service engineer or representative to confirm that the proposed method will not damage the equipment.

## Torch Cleaning

To help you achieve the maximum usable life from all models of the 5800/5900 ICP-OES Easy-fit torch, it is recommended that the cleaning procedures are followed as soon as any discoloration appears on the outer tube of the torch. To maximize torch lifetime and prevent contamination, you should inspect the condition and cleanliness of the torch daily.

See the ICP Expert Help for instructions on how to clean the torch for organic based samples and have carbon build-up on the injector.

## Maintenance and Troubleshooting

To access the Help, double-click the ICP Expert Help icon on the computer desktop.

### CAUTION

**Do not use cleaning wire or abrasives like brushes or a scourer to clean the torch.**

### WARNING



#### Hot Surface and Chemical Hazard

The torch and torch compartment become extremely hot during instrument operation and remain hot for some time after the instrument has been switched off. Allow the torch and torch compartment to cool for at least five minutes before attempting to remove the torch. Use heat-resistant gloves. Nitric acid, hydrochloric acid and strong alkali solutions are very corrosive and can cause severe burns when they come into contact with the skin. Preparation of acid soak solutions and any soaking should be done under an extraction fume hood. It is essential that appropriate protective clothing be worn at all times when handling these acids. If acid contacts the skin, wash off with copious amounts of water and seek medical attention immediately.

#### Important

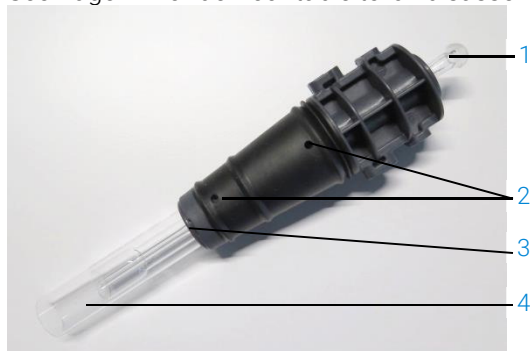
Use a clean, wide diameter, open-top beaker (preferably 100 mL tall form) or a similar container to hold the soak solutions. Use the recommended torch cleaning stand (see Figure 15A) for 5800/5900 ICP-OES Easy-fit torches (part number G8010-68021) to hold the torch inverted while soaking during the cleaning process. The torch cleaning stand aids in cleaning the torch, preventing damage to the fragile end of the quartz outer tube and limiting exposure of the elastomer materials on the torch body to acid fumes, reducing premature degradation.

- Use clean/particle free detergents or acid to perform the soak.
- Ensure the acid does not contact the seal between the quartz outer tube and the plastic base.
- Do not soak the removable top seal of semi-demountable torch.
- Keep the torch vertical, with the ball joint at the top, throughout all cleaning and rinsing steps unless otherwise directed.
- Do not remove the torch adhesive cap on the one-piece torch that covers the seal between the quartz and the plastic.
- For a better clean, always disassemble the semi- or fully demountable torch during rinsing and drying procedures.

## Maintenance and Troubleshooting

### Acid soak cleaning procedure for the torch for aqueous or acid-based samples (one piece and semi-demountable torches)

See Page 27 for demountable torch disassembly instructions.



**Figure 14.** Torch components where 1. Ball joint, 2. Gas ports, 3. Torch securing ring (demountable torch only), and 4. Torch outer tube

#### To clean the torch:

- 1 Prepare a 50% Aqua Regia solution (1 part deionized water to 1 part Aqua Regia) in a wide diameter open beaker. To make Aqua Regia combine 1:3 concentrated nitric acid: hydrochloric acid.
- 2 Place the beaker containing the acid solution under the torch cleaning stand.
- 3 Soak the quartz parts of the torch in 50% aqua regia for at least 1 hour. The length of time required for the cleaning procedure will depend upon the extent of the contamination. Do not leave the torch in the acid for longer than 4 hours. If deposits remain after using 50% Aqua Regia, repeat the cleaning process using a higher concentration of Aqua Regia.
- 4 Place the torch in the aqua regia solution through the hole provided in the torch cleaning stand as shown in Figure 15A, B, C and D. Ensure the quartz outer tube along with the injector is immersed in the solution.

For soaking the injector without the quartz outer tube-set, the torch injector tube plate should be installed to the torch cleaning stand to minimize exposure of the torch body to the acid fumes.

For semi or fully demountable torches, the quartz outer tube-set can be removed and soaked separately in a beaker of aqua regia (Figure 15D).

- 5 Pipette some of the acid through the ball joint of the injector to remove build-up from the lower part of the injector. See Figure 16A.



## Maintenance and Troubleshooting

### CAUTION

Avoid acid contact with the seal where the quartz meets the plastic base. Damage to the seals and torch body may occur.

### NOTE

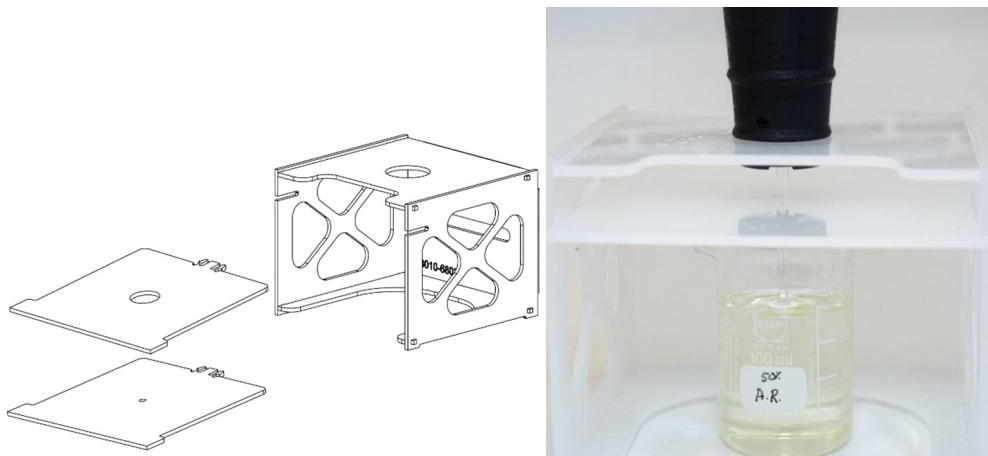
A torch cleaning stand is available from Agilent which helps keep torches upright and steady during cleaning. See the Agilent website [www.agilent.com](http://www.agilent.com) for details.

- 6 Keep the one-piece torch inverted through all the cleaning and rinsing steps unless otherwise directed.



**Figure 15A.** Soak the torch in the aqua regia solution. Ensure the injector is immersed in the solution.

## Maintenance and Troubleshooting



**Figure 15B and C.** Assembled torch cleaning stand with swappable torch plates. Injector soaking in aqua regia.



**Figure 15D.** Quartz outer tube-set soaking in aqua regia.

- 7 Rinse the torch and outer tube-set thoroughly and dry completely prior to using the torch in the instrument.
- 8 Follow the steps outlined below for “Rinsing the torch” and “Drying the torch” listed below.

## Maintenance and Troubleshooting

### Rinsing the torch

To rinse the torch (one piece and semi-demountable torches):

- 1 Hold the torch with the ball joint connector at the top.
- 2 Thoroughly flush the inside and outside of the torch with deionized water (18 M $\Omega$ .cm) using a wash bottle to direct the water stream. See Figure 16A.
- 3 Invert the torch (see Figure 16B) so that the quartz tube or injector are at the top and the ball joint connector is at the bottom. Flush rinse water through the quartz tubes so that the water flows out of the gas entry ports and ball joint connector for at least 1 minute.



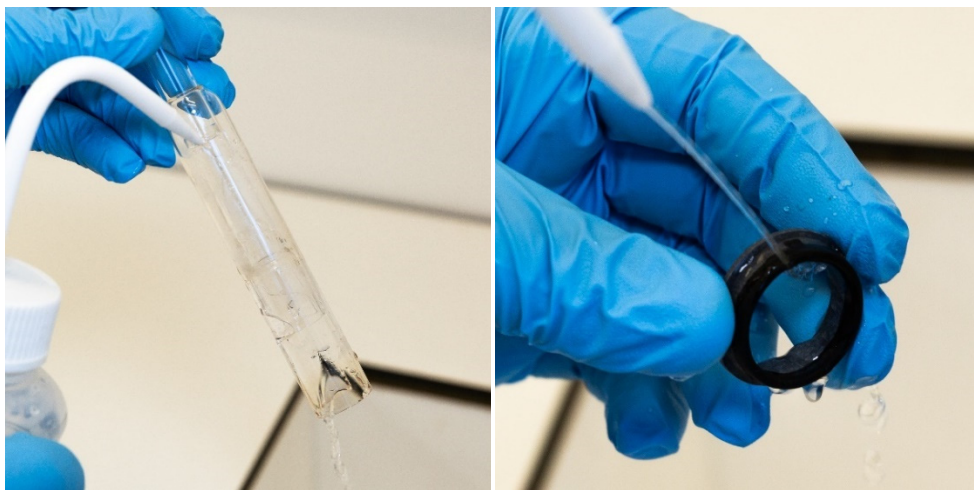
**Figure 16A.** Rinse the injector with deionized water through the ball joint connector.

## Maintenance and Troubleshooting



**Figure 16B.** Flush the gas ports and ball joint connector with deionized water.

- 4 If the torch was disassembled for cleaning, thoroughly wash the quartz outer tube-set and the removable top seal. See Figure 17A and Figure 17B.



**Figure 17A and B.** Rinse the quartz outer tube-set and top seal with deionized water.

- 5 Dry the torch completely and re-assemble the semi-demountable torch if necessary, prior to using the torch on the instrument.

## Maintenance and Troubleshooting

### NOTE

For high total dissolved solids (TDS) samples such as soil digests, soak the quartz parts of the torch in a 5% v/v detergent solution for 10 minutes after the initial acid cleaning step. Always rinse the torch thoroughly and dry completely prior to using the torch in the instrument. Follow the steps outlined above for “Rinsing the torch” and “Drying the torch” below. This extra step can help to reduce deposition on the outer tube of the torch.

### CAUTION

**Do not place the plastic parts of the torch in a drying oven. It is not as effective at removing moisture as using compressed air, argon or nitrogen and may damage the torch.**

### Drying the torch

- 1 Hold the torch inverted (with the ball joint connector at the top).
- 2 Blow clean compressed air, argon or nitrogen through the gas supply ports on the base and through the opening of the ball joint connector to remove moisture. See Figure 18A and Figure 18B.



**Figure 18A and B.** Use compressed air, argon or nitrogen to dry the torch.

## Maintenance and Troubleshooting

- 3 Blow clean compressed air, argon or nitrogen through the open end of the quartz outer tube-set. Do not insert the air nozzle inside the tube-set. See Figure 19.



**Figure 19.** Blow clean compressed air, argon or nitrogen through the open end of the tube-set.

- 4 If the torch was disassembled for cleaning, blow clean compressed air, argon or nitrogen through the quartz outer tube-set and top seal to remove all moisture.
- 5 Carefully blow away any moisture left on the body of the torch and quartz parts.
- 6 Ensure that all moisture is removed before refitting the torch into the instrument.
- 7 For the semi- and fully demountable torch, it is advisable to disassemble the torch giving easy access to the torch body for complete drying.

### Additional checks after cleaning

Perform the following checks after cleaning:

- 1 Inspect the torch for damage such as loose fitting of the quartz tubes in the plastic base, holes or significant cracks. If any damage is found, replace the torch immediately.

## Maintenance and Troubleshooting

- 2 Check for carry-over after refitting the torch to the instrument to determine if the cleaning procedure has been sufficient. If carry-over is found, repeat the cleaning process.
- 3 Replace the torch when the outer surface of the quartz outer tube is rough to the touch (which indicates signs of wear), or if there are any cracks visible.

### NOTE

Long term exposure to acid during cleaning may lead to discoloration of the plastic base. This change is cosmetic only and should not impact performance if the torch is clean and the results of the other torch checks are satisfactory.

### TIP

Store the torch in the original box or a plastic bag when not in use, or alternately, use the Agilent ICP-OES Easy-fit torch storage rack (P/N G8010-67000).

## Troubleshooting

For troubleshooting information, please see the ICP Expert Help and Learning Center:

- 1 Double-click the ICP Expert Help and Learning Center on the computer desktop.
- 2 Click on, or search for **Troubleshooting** to view instructions on how to troubleshoot.

## Spare Parts

For spare parts and consumables ordering information, refer to the Agilent Technologies website:

[www.agilent.com](http://www.agilent.com)

To replace the items listed below, you must use Agilent-manufactured parts, which can be ordered online from the Agilent website or through your local sales representative.

## Maintenance and Troubleshooting

When replacing the communications cable, always use a “Category 5E Patch Cord, STP/FTP, Shielded, Stranded, White, 14 ft, Booted” rated Ethernet cable to maintain EMC compliance.

The following is a list of recommended spares to keep on hand to minimize downtime during maintenance and repairs:

- Torch (one piece) or spare components such as the outer tube-set and injector, if using a demountable torch
- Air inlet filter element (dust filter)
- Axial pre-optic window
- Radial pre-optic window
- Spray chamber
- Nebulizer
- Peristaltic pump tubing
- Drain tubing

## Technical Support

For technical support contact information, refer to the Agilent Technologies website for details:

[www.agilent.com](http://www.agilent.com)





## In This Book

The manual describes the following:

- The manual describes the following:
- Safety Practices and Hazards
- Introduction
- Installation
- Operation
- Maintenance and Troubleshooting

[www.agilent.com](http://www.agilent.com)

© Agilent Technologies, Inc. © Agilent Technologies 2019

Edition 1, 10/2019



G8020-90002

