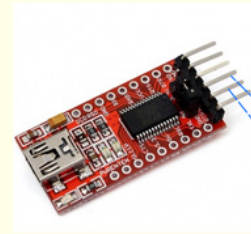
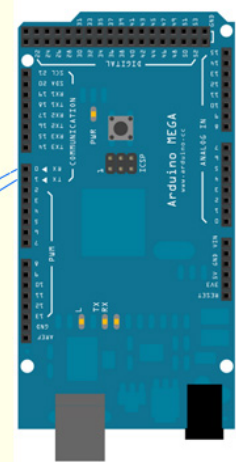


TO PC



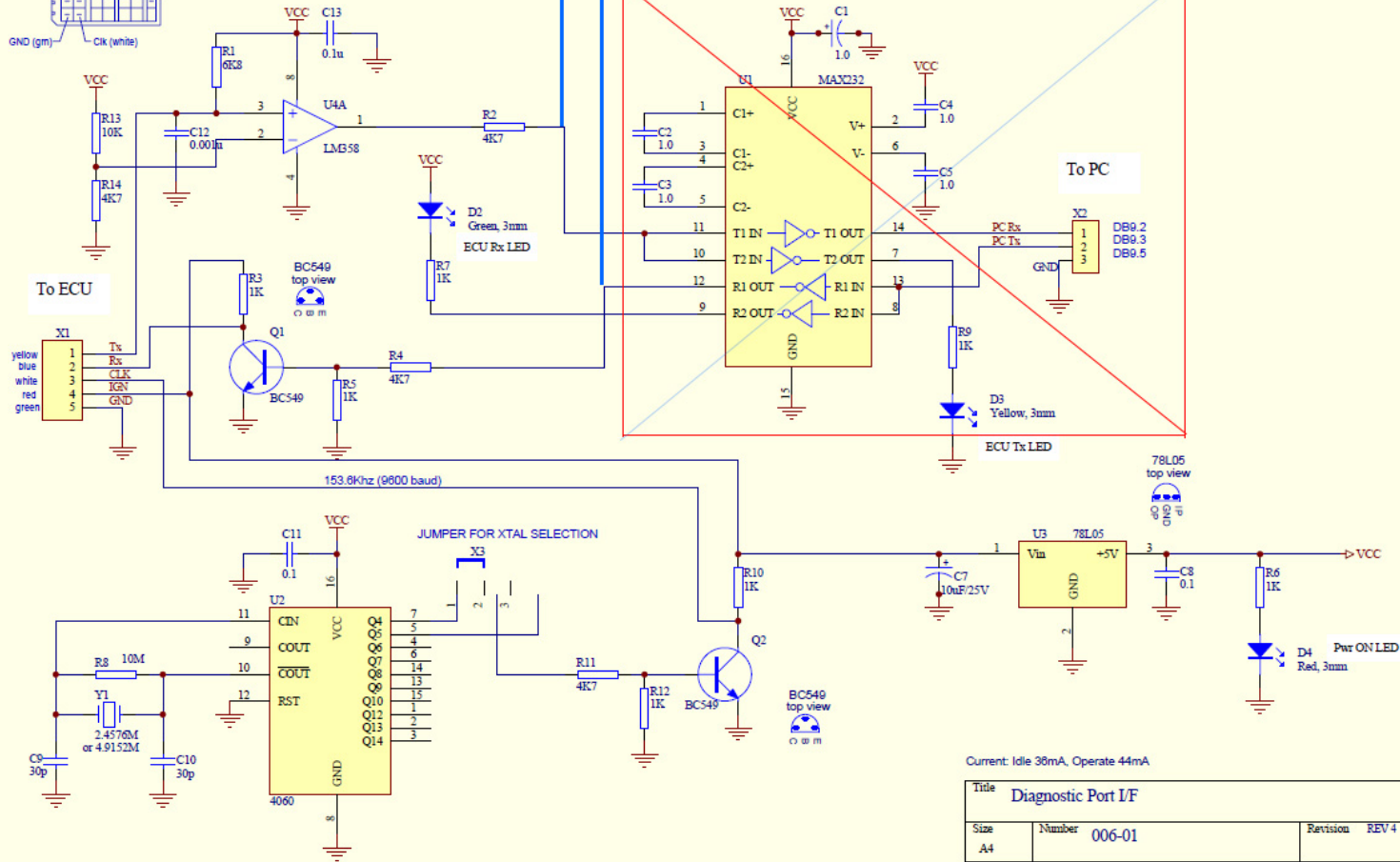
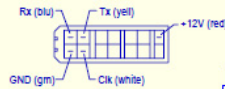
OR



Tx Rx



CONSULT CONNECTOR (looking into connector on vehicle)



Current: Idle 36mA, Operate 44mA

Title Diagnostic Port I/F		
Size A4	Number 006-01	Revision REV 4
Date: 5-Jul-2005	Sheet 1 of 1	